



# DUAL BAND Mobile Cellular Phone SGH-T410

# SERVICE Manual

## DUAL BAND MOBILE CELLULAR PHONE



## CONTENTS

1. Exploded Views and Parts List
2. PCB Diagrams
3. Electrical Parts List
4. Block Diagrams
5. Flow Chart of Troubleshooting and Circuit Diagrams



---

## 1. Exploded Views and Parts List

- 1-1 **Main**
- 1-2 **Main Parts List**
- 1-3 **Travel Adapter**
- 1-4 **Travel Adapter Parts List**
- 1-5 **Ciger Light Adapter**
- 1-6 **Ciger Light Adapter Parts List**
- 1-7 **Test Jig**
- 1-8 **EAR Microphone**
- 1-9 **Data Kit**
- 1-10 **Battery Charger**

## 2. PCB Diagrams

- 2-1 **Main Top**
- 2-2 **Main Bottom**

## 3. Electrical Parts List

- 3-1 **Main Parts List Top**
- 3-2 **Main Parts List Bottom**

## 4. Block Diagrams

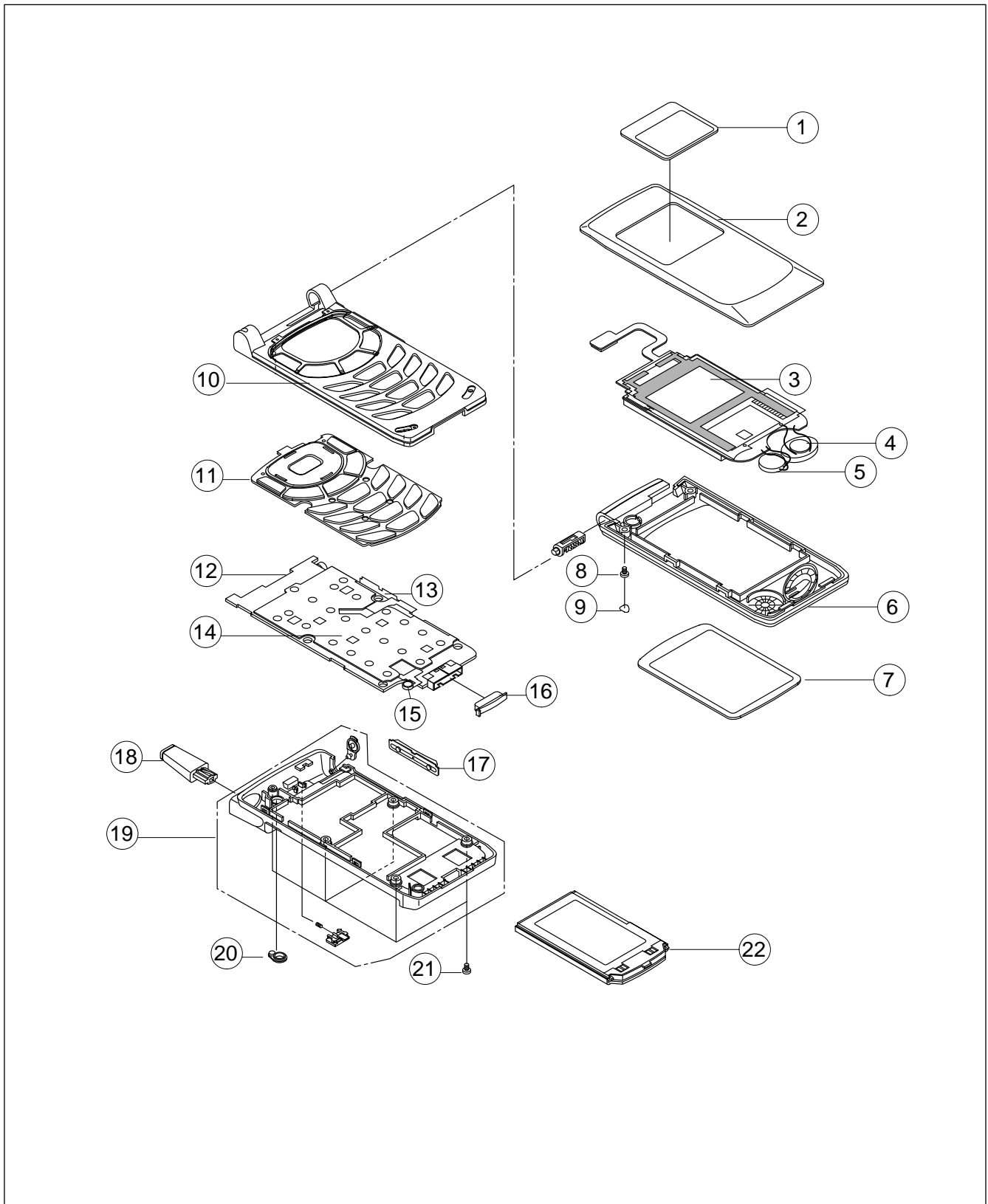
- 4-1 **Main Baseband**
- 4-2 **Main RF**
  - 4-2-1 **RF Transmit Part**
  - 4-2-2 **RF Receive Part**

## 5. Flow Chart of Troubleshooting and Circuit Diagrams

- 5-1 **Power ON**
- 5-2 **Initial**
- 5-3 **Charging Part**
- 5-4 **Sim Part**
- 5-5 **Microphone Part**
- 5-6 **Speaker Part**
- 5-7 **Key Data Input**
- 5-8 **Alert Tone**
- 5-9 **Ring Indicator**
- 5-10 **Back Light**
- 5-11 **GSM Receiver**
- 5-12 **GSM Transmitter**
- 5-13 **DCS Receiver**
- 5-14 **DCS Transmitter**

# 1. SGH-T410 Exploded Views and Parts List

## 1-1 Main



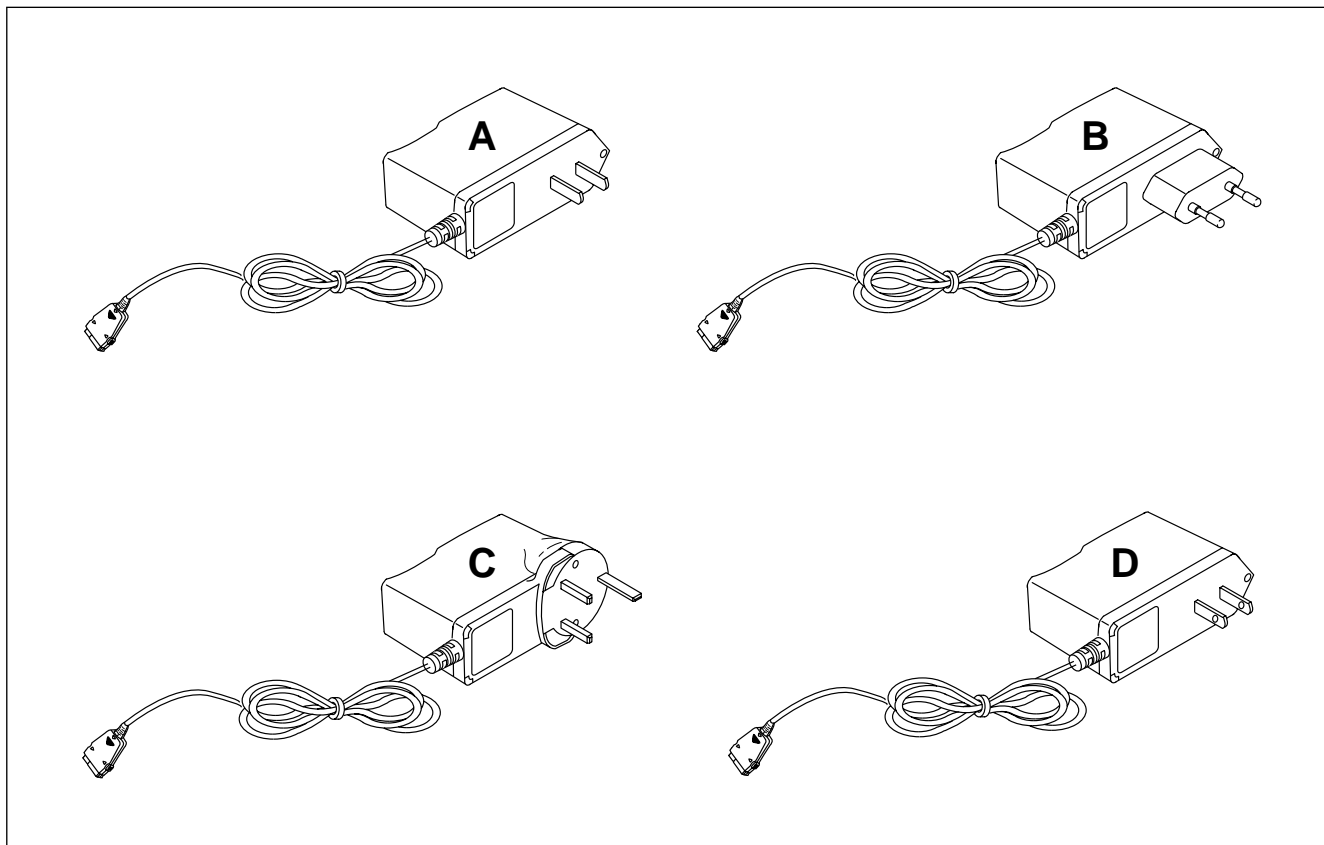
---

## 1-2 Main Parts List

---

Location No.	Description	SEC CODE	Remark
1	DUAL WINDOW LCD	GH72-05005A	
2	FOLDER UPPER	GH75-02707A	
3	LCD	GH96-01251A	
4	SPEAKER	3001-001360	
5	MOTOR	3101-001294	
6	FOLDER LOWER	GH75-02369A	
7	WINDOW LCD	GH72-05004A	
8	SCREW	6001-001429	
9	SCREW CAP	GH74-03025A	
10	FRONT COVER	GH75-02706A	
11	KEYPAD	GH75-02708A	
12	MAIN PBA	GH92-01419A	
13	VOLKEY F-PCB	GH59-00593A	
14	DOMESHEET	GH59-00598A	
15	MIC	GH59-00611A	
16	CONNECTOR COVER	GH73-01331A	
17	SIDE KEY	GH75-02372A	
18	ANTENNA	GH42-00236A	
19	REAR COVER	GH75-02370A	
20	RF/COVER	GH73-01332A	
21	SCREW	6001-001479	
22	BATTERY	GH43-00662A	

## 1-3 Travel Adapter



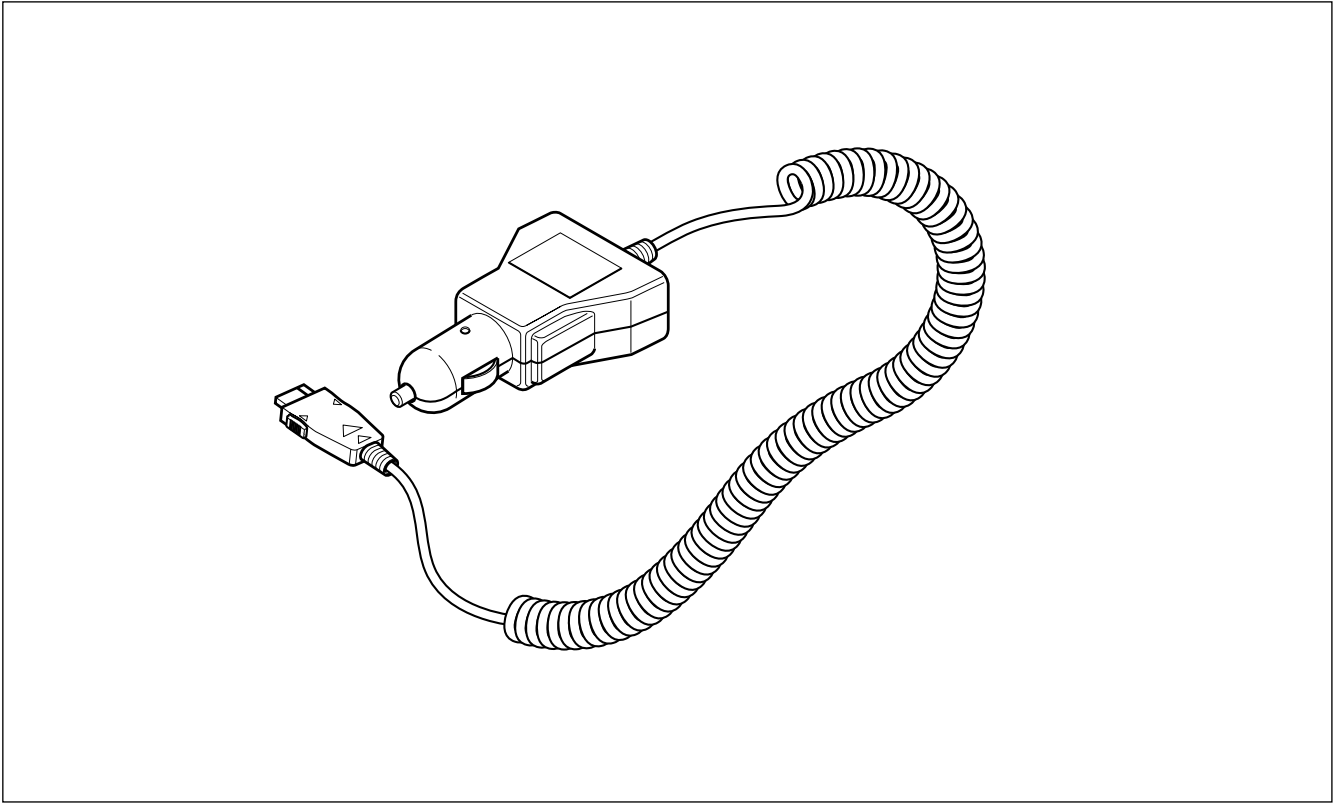
## 1-4 Travel Adapter Parts List

TYPE	SEC CODE	REMARK
A	GH44-00171A	CHINA
B	GH44-00184A	EUROPE
C	GH44-00171C	UNITED KINGDOM
D	Gh44-00171E	TAIWAN

---

## 1-5 Ciger Light Adapter

---

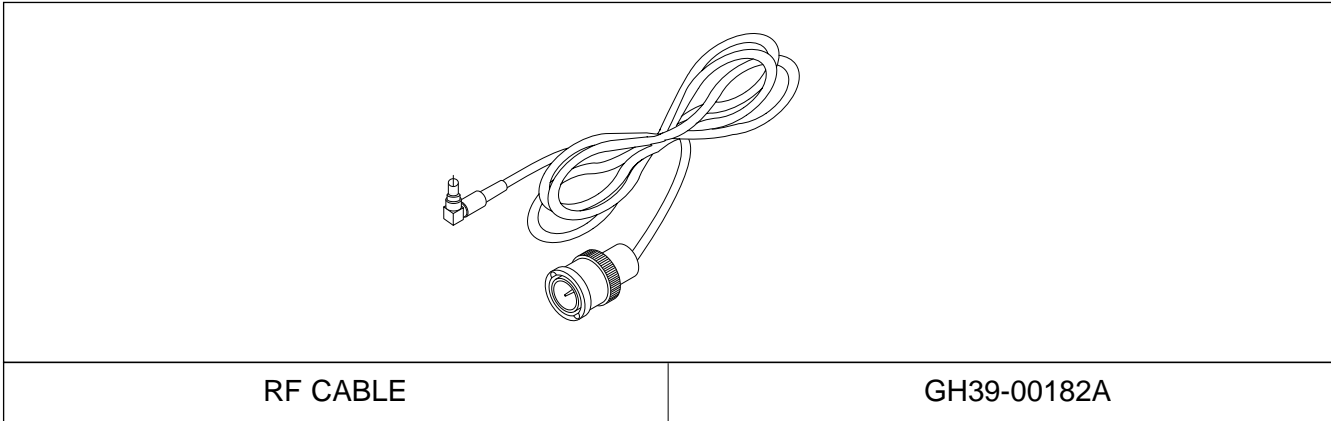
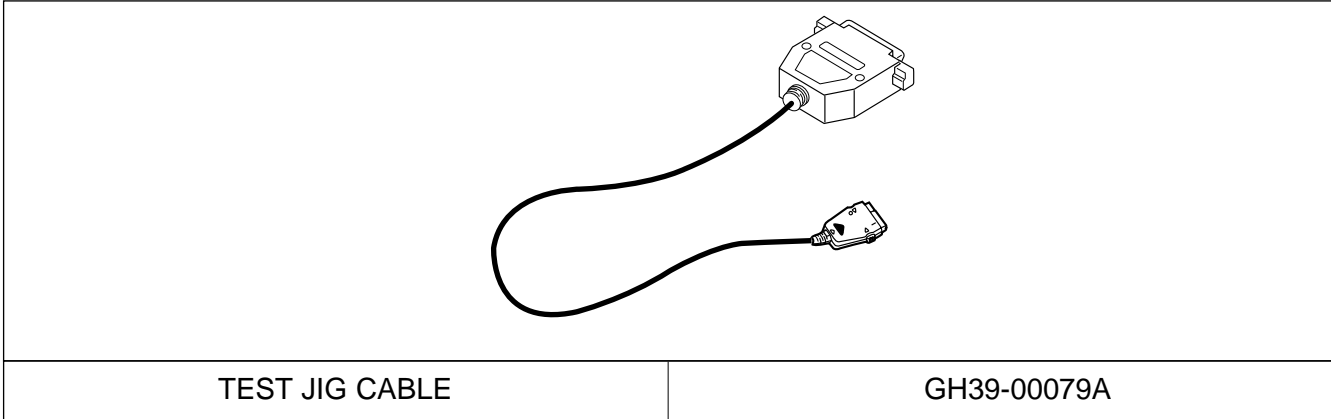
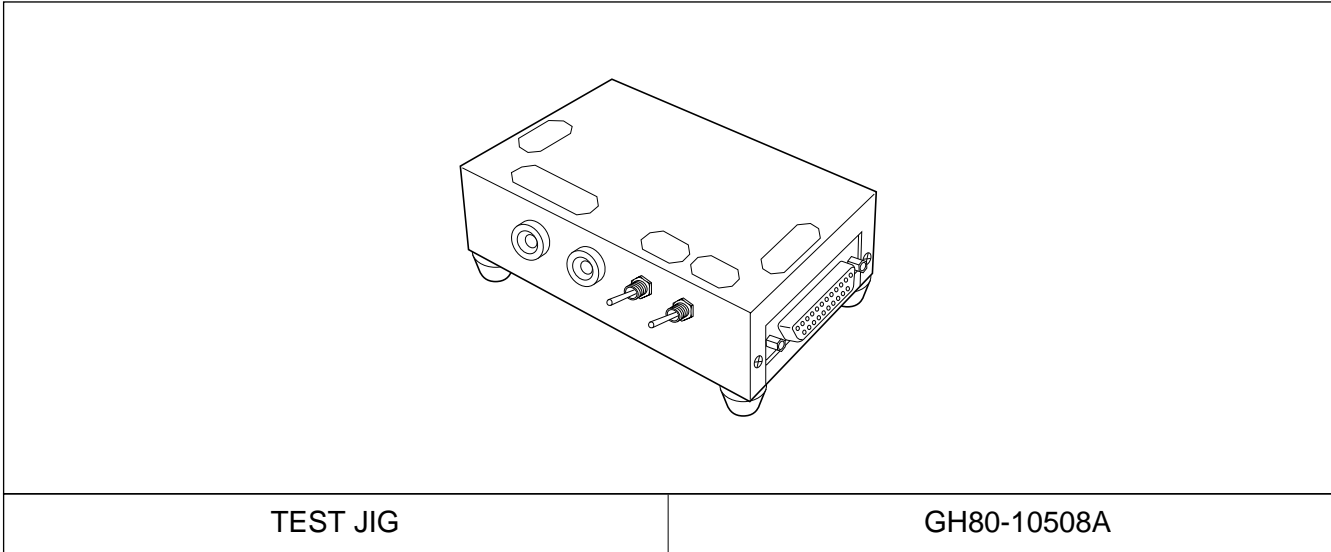


## 1-6 Ciger Light Adapter Parts List

---

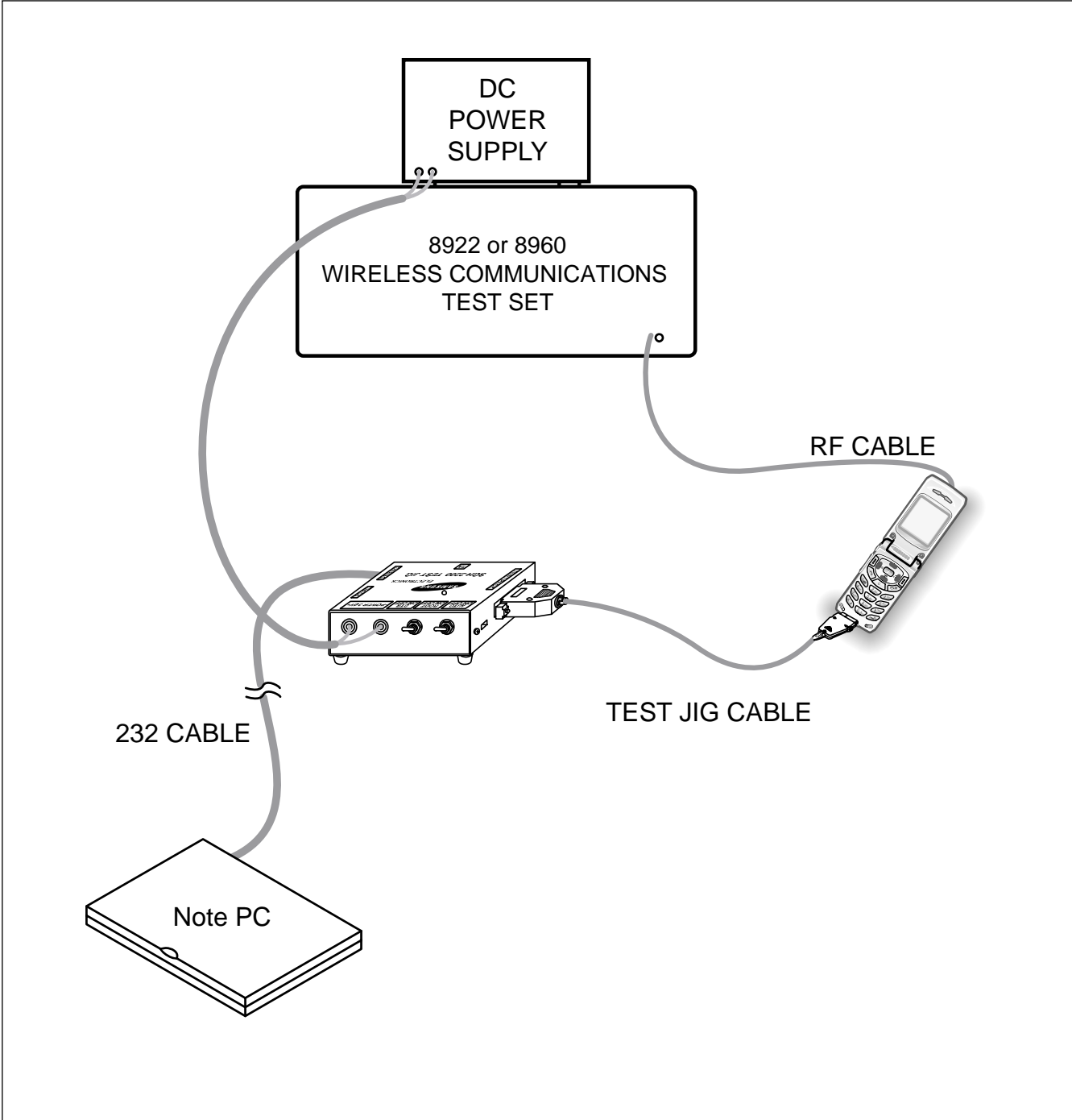
DESCRIPTION	SEC CODE	REMARK
Ciger Light Adapter Code	GH44-00170A	BLACK

**1-7 Test Jig**

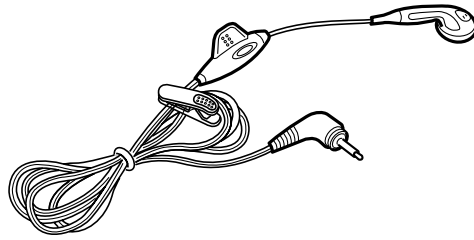




1-7-1 Test Jig



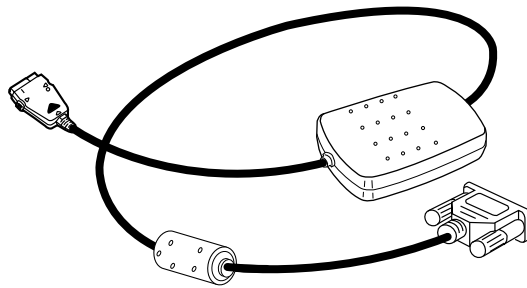
## 1-8 Wearable EAR Microphone



Wearable EAR Microphone

GH59-00394B

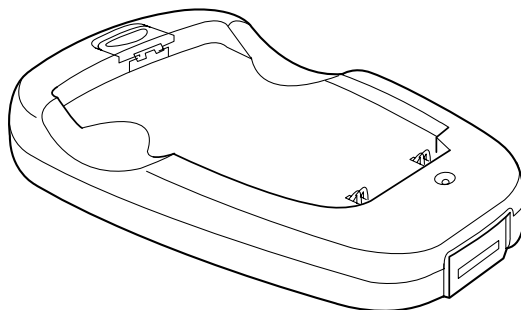
## 1-9 Data Kit



DATA KIT

GH39-00143B

## 1-10 Battery Charger

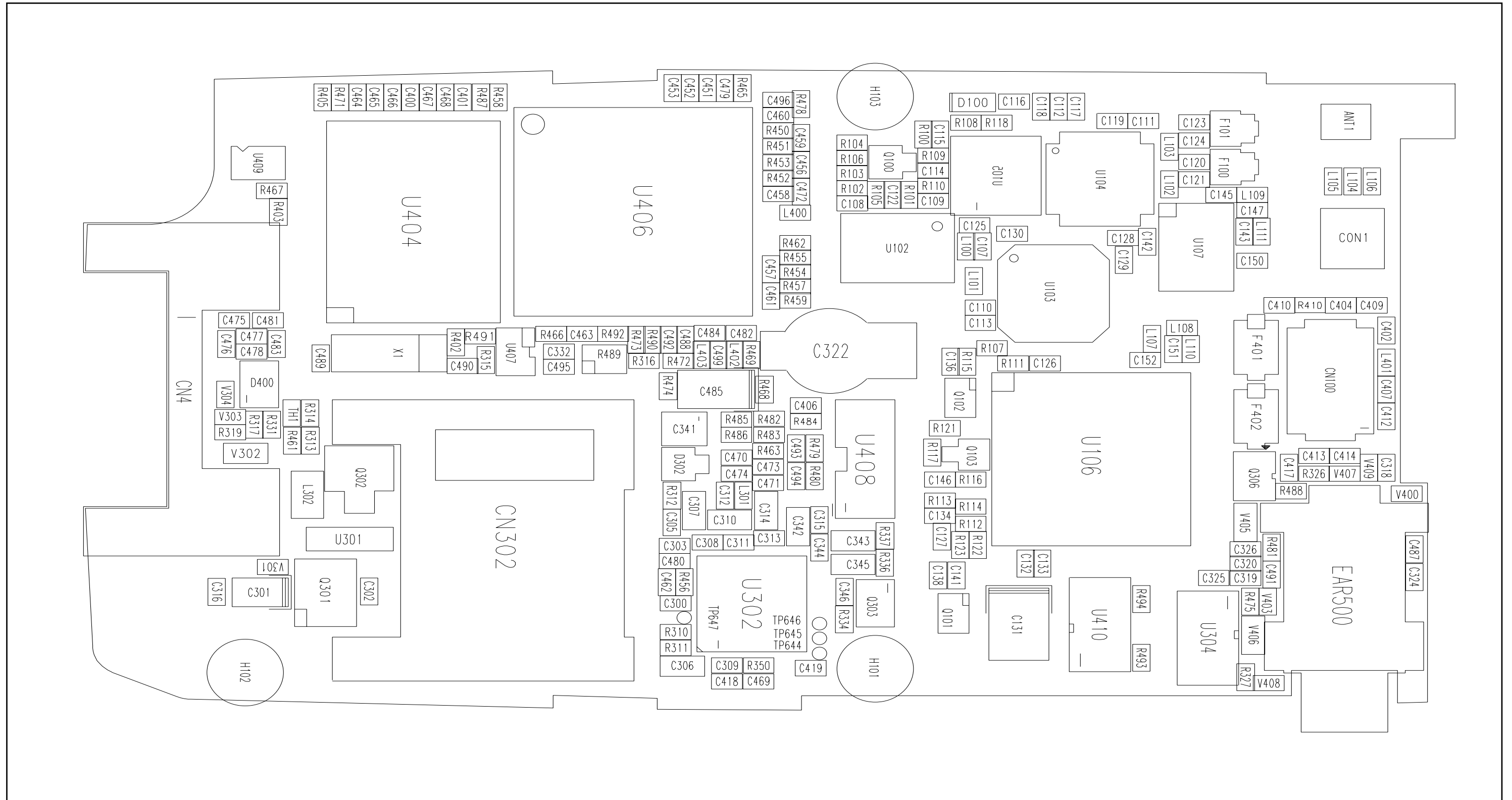


BATTERY CHARGER

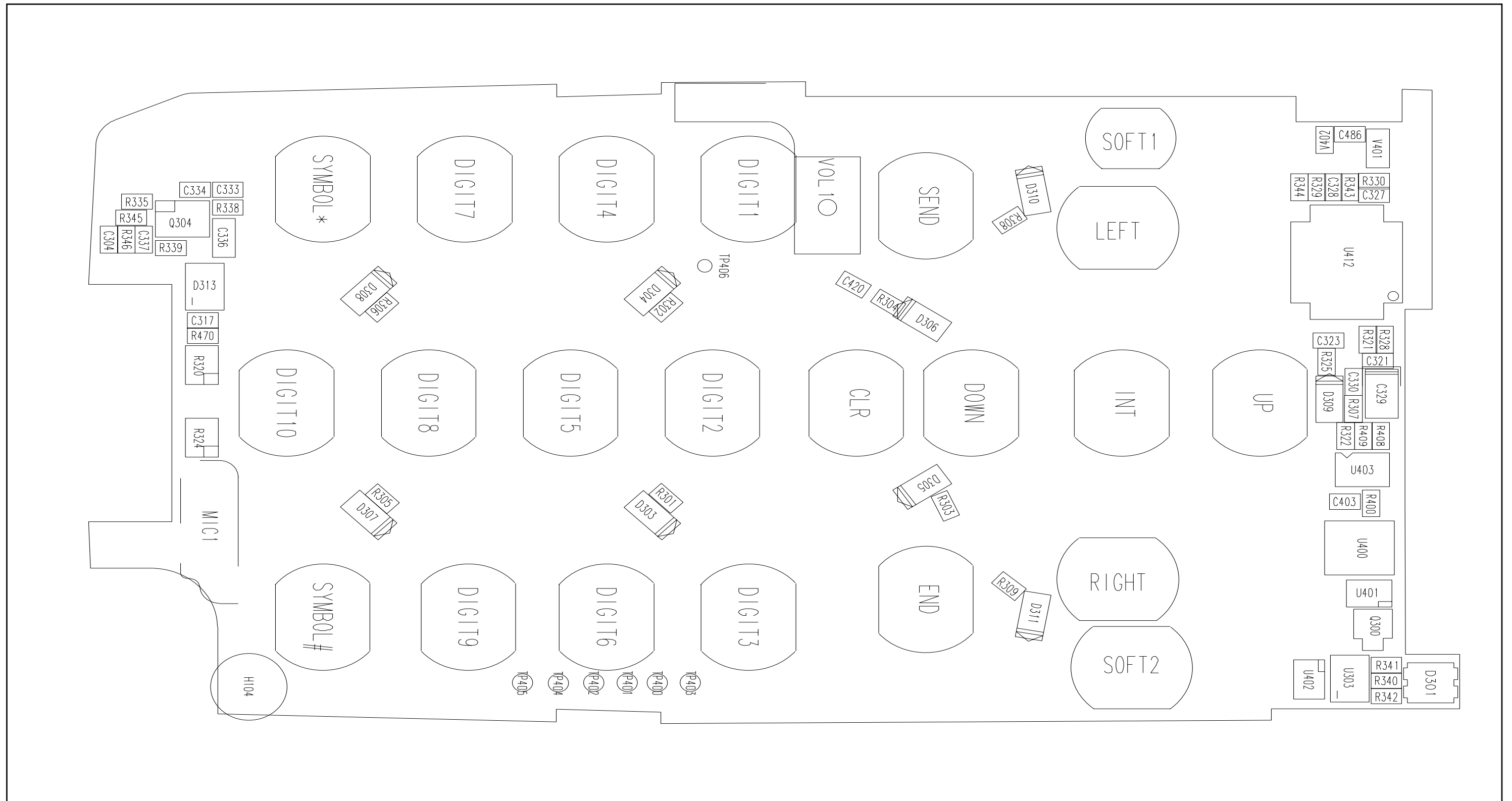
GH44-00279A

## 2. PCB Diagrams

### 2-1 Main Top



## 2-2 Main Bottom



## 3. Electrical Parts List

### 3-1 Main Parts List Top

NO	Reference	SEC CODE	Part	Description	Vendor Part No.
1	D302	0407-001002	DIODE-ARRAY	"DAN222,80V,300mA,CA2-3,EM3,TP"	DAN222
2	Q100	0501-000225	TR-SMALL SIGNAL	"2SC4617,NPN,200mW,EM3,TP,120-5"	2SC4617R
3	Q302	0501-002011	TR-SMALL SIGNAL	"2SD2114K,NPN,200mW,SOT-23,TP,8"	2SD2114KT146V
4	Q103	0504-001049	TR-DIGITAL	"DTA114YE,PNP,150MW,10K/47K,EMT3,TP"	DTA114YE
5	Q101	0504-001151	TR-DIGITAL	"PEMD10,NPN/PNP,300MW,2.2K/47KOHM, SOT-666,TP"	PEMD10
6	Q102	0504-001151	TR-DIGITAL	"PEMD10,NPN/PNP,300MW,2.2K/47KOHM, SOT-667,TP"	PEMD10
7	Q301	0505-001165	FET-SILICON	"SI3443DV,P,-20V,+3.5mA,65mohm"	SI3443DV-T1
8	Q306	0505-001332	FET-SILICON	"FDG6301,N,25V,0.22A,4OHM,.3W,SC70-6"	FDG6301N
9	Q303	0506-001004	TR-ARRAY	"UMC5N,NPN/PNP,2.50V,-,-100mA,3"	UMC5NTR
10	U409	0801-002540	IC-CMOS LOGIC	"7SZ19,DECODER,SOP,6P,49MIL,SINGLE, TP,PLASTIC"	NC7SZ19P6X
11	U407	1001-001145	IC-ANALOG SWITCH	"MAX4599EXT,-,SC70,6P,49MIL,SINGLE,5.5V"	MAX4599EXT-T
12	U304	1001-001183	IC-ANALOG SWITCH	"MAX4684EUB,-,TSSOP,10P,114MIL,DUAL"	MAX4684EUB
13	U410	1001-001183	IC-ANALOG SWITCH	"MAX4684EUB,-,TSSOP,10P,114MIL,DUAL"	MAX4684EUB
14	U408	1103-001277	IC-EEPROM	"24C512,65536X8BIT,TSSOP,8P,173MIL"	24C512-10TI-2.7
15	U404	1109-001260	IC-ETC. MEMORY	"LRS1826A,4MX16/4MX16/2MX16BIT,BGA,72P"	LRS1826A
16	U106	1201-001954	IC-POWER AMP	"RF3140,SMD-MODULE,40P,10X10MM"	RF3140
17	U302	1203-002872	IC-DC/DC CONVERTER	"MAX1560ETJ,QFN,32P,5X5MM, PLASTIC,2.45/3V"	MAX1560ETJ
18	U406	1205-002035	IC-COMM. CONTROLLER	"VP40581B,FBGA,180P,-,PLASTIC,3.3V"	VP40581E3
19	U105	1205-002185	IC-INTERFACE	"SI4201-BM,MLP,20P,4X4MM,-,3V,-,-20TO+85C"	SI4201-BM
20	U104	1205-002248	IC-TRANSCEIVER	"SI4200DB-BM,MLP,32P,5X5MM,-, 3V,-,-20TO+85C"	SI4200DB-BM
21	U103	1209-001434	IC-PLL/ SYNTHESIZER	"SI4133T-BM,MLP,28P,5X5MM,-, 3V,-,-20TO+85C"	SI4133T-BM
22	TH1	1404-001256	THERMISTOR-NTC	"47KOHM,-,4500K,-,-,TP"	B57231-V2473-K60
23	V302	1405-001018	VARISTOR	"14V,-,1.6x0.8mm,TP"	AVL 14K 03 300
24	V405	1405-001019	VARISTOR	"5.6V,-,1.6x0.8mm,TP"	AVL 5M 03 300
25	V406	1405-001019	VARISTOR	"5.6V,-,1.6x0.8mm,TP"	AVL 5M 03 300
26	V301	1405-001082	VARISTOR	"5.6V,20A,1x0.5x0.6mm,TP"	VC040205X150R
27	V303	1405-001082	VARISTOR	"5.6V,20A,1x0.5x0.6mm,TP"	VC040205X150R
28	V304	1405-001082	VARISTOR	"5.6V,20A,1x0.5x0.6mm,TP"	VC040205X150R
29	V400	1405-001082	VARISTOR	"5.6V,20A,1x0.5x0.6mm,TP"	VC040205X150R

NO	Reference	SEC CODE	Part	Description	Vendor Part No.
30	V403	1405-001082	VARISTOR	"5.6V,20A,1x0.5x0.6mm,TP"	VC040205X150R
31	V409	1405-001082	VARISTOR	"5.6V,20A,1x0.5x0.6mm,TP"	VC040205X150R
32	C410	1405-001082	VARISTOR	"5.6V,20A,1x0.5x0.6mm,TP"	VC040205X150R
33	V407	1405-001093	VARISTOR	"14V,20A,1x0.5x0.6mm,TP"	AVL 14K 02 200
34	V408	1405-001093	VARISTOR	"14V,20A,1x0.5x0.6mm,TP"	AVL 14K 02 200
35	C418	1405-001128	VARISTOR	"18VDC,15A,1X0.5X0.6MM,TP"	VC04LC18V500WP
36	C419	1405-001128	VARISTOR	"18VDC,15A,1X0.5X0.6MM,TP"	VC04LC18V500WP
37	C420	1405-001128	VARISTOR	"18VDC,15A,1X0.5X0.6MM,TP"	VC04LC18V500WP
38	R105	2007-000138	R-CHIP	"100ohm,5%,1/16W,DA,TP,1005"	RC1005J101CS
39	R315	2007-000138	R-CHIP	"100ohm,5%,1/16W,DA,TP,1005"	RC1005J101CS
40	R316	2007-000138	R-CHIP	"100ohm,5%,1/16W,DA,TP,1005"	RC1005J101CS
41	R317	2007-000138	R-CHIP	"100ohm,5%,1/16W,DA,TP,1005"	RC1005J101CS
42	R468	2007-000139	R-CHIP	"220ohm,5%,1/16W,DA,TP,1005"	RC1005J221CS
43	R474	2007-000139	R-CHIP	"220ohm,5%,1/16W,DA,TP,1005"	RC1005J221CS
44	R106	2007-000140	R-CHIP	"1Kohm,5%,1/16W,DA,TP,1005"	RC1005J102CS
45	R313	2007-000140	R-CHIP	"1Kohm,5%,1/16W,DA,TP,1005"	RC1005J102CS
46	R102	2007-000141	R-CHIP	"2.2Kohm,5%,1/16W,DA,TP,1005"	RC1005J222CS
47	R479	2007-000141	R-CHIP	"2.2Kohm,5%,1/16W,DA,TP,1005"	RC1005J223CS
48	R480	2007-000141	R-CHIP	"2.2Kohm,5%,1/16W,DA,TP,1005"	RC1005J224CS
49	R101	2007-000148	R-CHIP	"10Kohm,5%,1/16W,DA,TP,1005"	RC1005J103CS
50	R115	2007-000148	R-CHIP	"10Kohm,5%,1/16W,DA,TP,1005"	RC1005J103CS
51	R117	2007-000148	R-CHIP	"10Kohm,5%,1/16W,DA,TP,1005"	RC1005J103CS
52	R121	2007-000148	R-CHIP	"10Kohm,5%,1/16W,DA,TP,1005"	RC1005J103CS
53	R337	2007-000148	R-CHIP	"10Kohm,5%,1/16W,DA,TP,1005"	RC1005J103CS
54	R456	2007-000148	R-CHIP	"10Kohm,5%,1/16W,DA,TP,1005"	RC1005J103CS
55	R462	2007-000148	R-CHIP	"10Kohm,5%,1/16W,DA,TP,1005"	RC1005J103CS
56	R463	2007-000148	R-CHIP	"10Kohm,5%,1/16W,DA,TP,1005"	RC1005J103CS
57	R465	2007-000148	R-CHIP	"10Kohm,5%,1/16W,DA,TP,1005"	RC1005J103CS
58	R108	2007-000152	R-CHIP	"20Kohm,5%,1/16W,DA,TP,1005"	RC1005J203CS
59	R113	2007-000153	R-CHIP	"22Kohm,5%,1/16W,DA,TP,1005"	RC1005J223CS
60	R114	2007-000153	R-CHIP	"22Kohm,5%,1/16W,DA,TP,1005"	RC1005J224CS
61	R104	2007-000155	R-CHIP	"27Kohm,5%,1/16W,DA,TP,1005"	RC1005J273CS
62	R473	2007-000157	R-CHIP	"47Kohm,5%,1/16W,DA,TP,1005"	RC1005J473CS
63	R331	2007-000159	R-CHIP	"56Kohm,5%,1/16W,DA,TP,1005"	RC1005J473CS
64	R116	2007-000162	R-CHIP	"100Kohm,5%,1/16W,DA,TP,1005"	RC1005J104CS
65	R310	2007-000162	R-CHIP	"100Kohm,5%,1/16W,DA,TP,1005"	RC1005J105CS
66	R314	2007-000162	R-CHIP	"100Kohm,5%,1/16W,DA,TP,1005"	RC1005J106CS
67	R334	2007-000162	R-CHIP	"100Kohm,5%,1/16W,DA,TP,1005"	RC1005J107CS
68	R336	2007-000162	R-CHIP	"100Kohm,5%,1/16W,DA,TP,1005"	RC1005J108CS
69	R403	2007-000162	R-CHIP	"100Kohm,5%,1/16W,DA,TP,1005"	RC1005J109CS
70	R405	2007-000162	R-CHIP	"100Kohm,5%,1/16W,DA,TP,1005"	RC1005J110CS
71	R458	2007-000162	R-CHIP	"100Kohm,5%,1/16W,DA,TP,1005"	RC1005J111CS
72	R466	2007-000162	R-CHIP	"100Kohm,5%,1/16W,DA,TP,1005"	RC1005J112CS

NO	Reference	SEC CODE	Part	Description	Vendor Part No.
73	R467	2007-000162	R-CHIP	"100Kohm,5%,1/16W,DA,TP,1005"	RC1005J113CS
74	R483	2007-000162	R-CHIP	"100Kohm,5%,1/16W,DA,TP,1005"	RC1005J114CS
75	R484	2007-000162	R-CHIP	"100Kohm,5%,1/16W,DA,TP,1005"	RC1005J115CS
76	R485	2007-000162	R-CHIP	"100Kohm,5%,1/16W,DA,TP,1005"	RC1005J116CS
77	R487	2007-000162	R-CHIP	"100Kohm,5%,1/16W,DA,TP,1005"	RC1005J117CS
78	R488	2007-000162	R-CHIP	"100Kohm,5%,1/16W,DA,TP,1005"	RC1005J118CS
79	R492	2007-000162	R-CHIP	"100Kohm,5%,1/16W,DA,TP,1005"	RC1005J119CS
80	R478	2007-000162	R-CHIP	"100Kohm,5%,1/16W,DA,TP,1005"	RC1005J120CS
81	R461	2007-000162	R-CHIP	"100Kohm,5%,1/16W,DA,TP,1005"	RC1005J121CS
82	R471	2007-000168	R-CHIP	"470Kohm,5%,1/16W,DA,TP,1005"	RC1005J474CS
83	R100	2007-001244	R-CHIP	"91Kohm,5%,1/16W,DA,TP,1005"	RC1005J913CS
84	R107	2007-001298	R-CHIP	"51ohm,5%,1/16W,DA,TP,1005"	RC1005J510CS
85	R109	2007-001298	R-CHIP	"51ohm,5%,1/16W,DA,TP,1005"	RC1005J510CS
86	R110	2007-001298	R-CHIP	"51ohm,5%,1/16W,DA,TP,1005"	RC1005J510CS
87	R469	2007-002796	R-CHIP	"510ohm,5%,1/16W,DA,TP,1005"	ERJ2GEJ511X
88	R472	2007-002796	R-CHIP	"510ohm,5%,1/16W,DA,TP,1005"	ERJ2GEJ511X
89	R103	2007-002797	R-CHIP	"560ohm,5%,1/16W,DA,TP,1005"	ERJ2GEJ561X
90	R326	2007-003001	R-CHIP	"12OHM,5%,1/16W,DA,TP,1005"	RC1005J120CS
91	R327	2007-003001	R-CHIP	"12OHM,5%,1/16W,DA,TP,1005"	RC1005J120CS
92	R450	2007-007317	R-CHIP	"2.2Kohm,1%,1/16W,DA,TP,1005"	ERJ2RKF2201X
93	R451	2007-007317	R-CHIP	"2.2Kohm,1%,1/16W,DA,TP,1005"	ERJ2RKF2201X
94	R452	2007-007317	R-CHIP	"2.2Kohm,1%,1/16W,DA,TP,1005"	ERJ2RKF2201X
95	R453	2007-007317	R-CHIP	"2.2Kohm,1%,1/16W,DA,TP,1005"	ERJ2RKF2201X
96	R454	2007-007318	R-CHIP	"1Kohm,1%,1/16W,DA,TP,1005"	ERJ2RKF1001X
97	R455	2007-007318	R-CHIP	"1Kohm,1%,1/16W,DA,TP,1005"	ERJ2RKF1001X
98	R457	2007-007318	R-CHIP	"1Kohm,1%,1/16W,DA,TP,1005"	ERJ2RKF1001X
99	R459	2007-007318	R-CHIP	"1Kohm,1%,1/16W,DA,TP,1005"	ERJ2RKF1001X
100	R111	2007-007771	R-CHIP	"0OHM,5%,1/16W,DA,TP,1005"	RC1005J000CS
101	R112	2007-007771	R-CHIP	"0OHM,5%,1/16W,DA,TP,1005"	RC1005J000CS
102	R118	2007-007771	R-CHIP	"0OHM,5%,1/16W,DA,TP,1005"	RC1005J000CS
103	R311	2007-007771	R-CHIP	"0OHM,5%,1/16W,DA,TP,1005"	RC1005J000CS
104	R312	2007-007771	R-CHIP	"0OHM,5%,1/16W,DA,TP,1005"	RC1005J000CS
105	R319	2007-007771	R-CHIP	"0OHM,5%,1/16W,DA,TP,1005"	RC1005J000CS
106	R350	2007-007771	R-CHIP	"0OHM,5%,1/16W,DA,TP,1005"	RC1005J000CS
107	R402	2007-007771	R-CHIP	"0OHM,5%,1/16W,DA,TP,1005"	RC1005J000CS
108	R410	2007-007771	R-CHIP	"0OHM,5%,1/16W,DA,TP,1005"	RC1005J000CS
109	R475	2007-007771	R-CHIP	"0OHM,5%,1/16W,DA,TP,1005"	RC1005J000CS
110	R481	2007-007771	R-CHIP	"0OHM,5%,1/16W,DA,TP,1005"	RC1005J000CS
111	R490	2007-007771	R-CHIP	"0OHM,5%,1/16W,DA,TP,1005"	RC1005J000CS
112	R491	2007-007771	R-CHIP	"0OHM,5%,1/16W,DA,TP,1005"	RC1005J000CS
113	R493	2007-007771	R-CHIP	"0OHM,5%,1/16W,DA,TP,1005"	RC1005J000CS
114	R494	2007-007771	R-CHIP	"0OHM,5%,1/16W,DA,TP,1005"	RC1005J000CS
115	R489	2011-001345	R-NETWORK	"10Kohm,5%,1/16W,L,CHIP,8P,TP"	EXB28V103JX

NO	Reference	SEC CODE	Part	Description	Vendor Part No.
116	C404	2203-000138	"C-CERAMIC,CHIP"	"1.5nF,10%,50V,X7R,TP,1005,-"	CL05B152KBNC
117	C113	2203-000233	"C-CERAMIC,CHIP"	"0.1NF,5%,50V,C0G,TP,1005"	CL05C101JBNC
118	C114	2203-000233	"C-CERAMIC,CHIP"	"0.1NF,5%,50V,C0G,TP,1005"	CL05C101JBNC
119	C115	2203-000233	"C-CERAMIC,CHIP"	"0.1NF,5%,50V,C0G,TP,1005"	CL05C101JBNC
120	C116	2203-000233	"C-CERAMIC,CHIP"	"0.1NF,5%,50V,C0G,TP,1005"	CL05C101JBNC
121	C117	2203-000233	"C-CERAMIC,CHIP"	"0.1NF,5%,50V,C0G,TP,1005"	CL05C101JBNC
122	C122	2203-000233	"C-CERAMIC,CHIP"	"0.1NF,5%,50V,C0G,TP,1005"	CL05C101JBNC
123	C132	2203-000233	"C-CERAMIC,CHIP"	"0.1NF,5%,50V,C0G,TP,1005"	CL05C101JBNC
124	C134	2203-000233	"C-CERAMIC,CHIP"	"0.1NF,5%,50V,C0G,TP,1005"	CL05C101JBNC
125	C456	2203-000233	"C-CERAMIC,CHIP"	"0.1NF,5%,50V,C0G,TP,1005"	CL05C101JBNC
126	C458	2203-000233	"C-CERAMIC,CHIP"	"0.1NF,5%,50V,C0G,TP,1005"	CL05C101JBNC
127	C459	2203-000233	"C-CERAMIC,CHIP"	"0.1NF,5%,50V,C0G,TP,1005"	CL05C101JBNC
128	C460	2203-000233	"C-CERAMIC,CHIP"	"0.1NF,5%,50V,C0G,TP,1005"	CL05C101JBNC
129	C107	2203-000254	"C-CERAMIC,CHIP"	"10nF,10%,16V,X7R,TP,1005,-"	CL05B103KONC
130	C108	2203-000254	"C-CERAMIC,CHIP"	"10nF,10%,16V,X7R,TP,1005,-"	CL05B103KONC
131	C109	2203-000254	"C-CERAMIC,CHIP"	"10nF,10%,16V,X7R,TP,1005,-"	CL05B103KONC
132	C308	2203-000254	"C-CERAMIC,CHIP"	"10nF,10%,16V,X7R,TP,1005,-"	CL05B103KONC
133	C309	2203-000254	"C-CERAMIC,CHIP"	"10nF,10%,16V,X7R,TP,1005,-"	CL05B103KONC
134	C311	2203-000254	"C-CERAMIC,CHIP"	"10nF,10%,16V,X7R,TP,1005,-"	CL05B103KONC
135	C313	2203-000254	"C-CERAMIC,CHIP"	"10nF,10%,16V,X7R,TP,1005,-"	CL05B103KONC
136	C315	2203-000254	"C-CERAMIC,CHIP"	"10nF,10%,16V,X7R,TP,1005,-"	CL05B103KONC
137	C318	2203-000254	"C-CERAMIC,CHIP"	"10nF,10%,16V,X7R,TP,1005,-"	CL05B103KONC
138	C337	2203-000254	"C-CERAMIC,CHIP"	"10nF,10%,16V,X7R,TP,1005,-"	CL05B103KONC
139	C346	2203-000254	"C-CERAMIC,CHIP"	"10nF,10%,16V,X7R,TP,1005,-"	CL05B103KONC
140	C401	2203-000254	"C-CERAMIC,CHIP"	"10nF,10%,16V,X7R,TP,1005,-"	CL05B103KONC
141	C453	2203-000254	"C-CERAMIC,CHIP"	"10nF,10%,16V,X7R,TP,1005,-"	CL05B103KONC
142	C462	2203-000254	"C-CERAMIC,CHIP"	"10nF,10%,16V,X7R,TP,1005,-"	CL05B103KONC
143	C463	2203-000254	"C-CERAMIC,CHIP"	"10nF,10%,16V,X7R,TP,1005,-"	CL05B103KONC
144	C464	2203-000254	"C-CERAMIC,CHIP"	"10nF,10%,16V,X7R,TP,1005,-"	CL05B103KONC
145	C465	2203-000254	"C-CERAMIC,CHIP"	"10nF,10%,16V,X7R,TP,1005,-"	CL05B103KONC
146	C470	2203-000254	"C-CERAMIC,CHIP"	"10nF,10%,16V,X7R,TP,1005,-"	CL05B103KONC
147	C471	2203-000254	"C-CERAMIC,CHIP"	"10nF,10%,16V,X7R,TP,1005,-"	CL05B103KONC
148	C473	2203-000254	"C-CERAMIC,CHIP"	"10nF,10%,16V,X7R,TP,1005,-"	CL05B103KONC
149	C143	2203-000278	"C-CERAMIC,CHIP"	"0.01NF,0.5PF,50V,C0G,TP,1005"	GRP1555C1H100D
150	C151	2203-000386	"C-CERAMIC,CHIP"	"0.015NF,5%,50V,C0G,TP,1005"	CL05C150JBNC
151	C477	2203-000386	"C-CERAMIC,CHIP"	"0.015NF,5%,50V,C0G,TP,1005"	CL05C150JBNC
152	C489	2203-000386	"C-CERAMIC,CHIP"	"0.015NF,5%,50V,C0G,TP,1005"	CL05C150JBNC
153	C490	2203-000386	"C-CERAMIC,CHIP"	"0.015NF,5%,50V,C0G,TP,1005"	CL05C150JBNC
154	C138	2203-000438	"C-CERAMIC,CHIP"	"1nF,10%,50V,X7R,TP,1005,-"	CL05B102KBNC
155	C136	2203-000679	"C-CERAMIC,CHIP"	"0.027NF,5%,50V,C0G,TP,1005"	CL05C270JBNC
156	C141	2203-000679	"C-CERAMIC,CHIP"	"0.027NF,5%,50V,C0G,TP,1005"	CL05C270JBNC
157	C142	2203-000679	"C-CERAMIC,CHIP"	"0.027NF,5%,50V,C0G,TP,1005"	CL05C270JBNC
158	C146	2203-000679	"C-CERAMIC,CHIP"	"0.027NF,5%,50V,C0G,TP,1005"	CL05C270JBNC



NO	Reference	SEC CODE	Part	Description	Vendor Part No.
159	C147	2203-000679	"C-CERAMIC,CHIP"	"0.027NF,5%,50V,C0G,TP,1005"	CL05C270JBNC
160	C305	2203-000679	"C-CERAMIC,CHIP"	"0.027NF,5%,50V,C0G,TP,1005"	CL05C270JBNC
161	C320	2203-000679	"C-CERAMIC,CHIP"	"0.027NF,5%,50V,C0G,TP,1005"	CL05C270JBNC
162	C325	2203-000679	"C-CERAMIC,CHIP"	"0.027NF,5%,50V,C0G,TP,1005"	CL05C270JBNC
163	C326	2203-000679	"C-CERAMIC,CHIP"	"0.027NF,5%,50V,C0G,TP,1005"	CL05C270JBNC
164	C406	2203-000679	"C-CERAMIC,CHIP"	"0.027NF,5%,50V,C0G,TP,1005"	CL05C270JBNC
165	C407	2203-000679	"C-CERAMIC,CHIP"	"0.027NF,5%,50V,C0G,TP,1005"	CL05C270JBNC
166	C409	2203-000679	"C-CERAMIC,CHIP"	"0.027NF,5%,50V,C0G,TP,1005"	CL05C270JBNC
167	C412	2203-000679	"C-CERAMIC,CHIP"	"0.027NF,5%,50V,C0G,TP,1005"	CL05C270JBNC
168	C413	2203-000679	"C-CERAMIC,CHIP"	"0.027NF,5%,50V,C0G,TP,1005"	CL05C270JBNC
169	C414	2203-000679	"C-CERAMIC,CHIP"	"0.027NF,5%,50V,C0G,TP,1005"	CL05C270JBNC
170	C417	2203-000679	"C-CERAMIC,CHIP"	"0.027NF,5%,50V,C0G,TP,1005"	CL05C270JBNC
171	C479	2203-000679	"C-CERAMIC,CHIP"	"0.027NF,5%,50V,C0G,TP,1005"	CL05C270JBNC
172	C480	2203-000679	"C-CERAMIC,CHIP"	"0.027NF,5%,50V,C0G,TP,1005"	CL05C270JBNC
173	C496	2203-000679	"C-CERAMIC,CHIP"	"0.027NF,5%,50V,C0G,TP,1005"	CL05C270JBNC
174	C126	2203-000812	"C-CERAMIC,CHIP"	"0.033NF,5%,50V,C0G,TP,1005"	GRP1555C1H330J
175	C127	2203-000812	"C-CERAMIC,CHIP"	"0.033NF,5%,50V,C0G,TP,1005"	GRP1555C1H330J
176	C133	2203-000812	"C-CERAMIC,CHIP"	"0.033NF,5%,50V,C0G,TP,1005"	GRP1555C1H330J
177	C150	2203-000812	"C-CERAMIC,CHIP"	"0.033NF,5%,50V,C0G,TP,1005"	GRP1555C1H330J
178	C451	2203-000812	"C-CERAMIC,CHIP"	"0.033NF,5%,50V,C0G,TP,1005"	GRP1555C1H330J
179	C452	2203-000812	"C-CERAMIC,CHIP"	"0.033NF,5%,50V,C0G,TP,1005"	GRP1555C1H330J
180	C466	2203-000812	"C-CERAMIC,CHIP"	"0.033NF,5%,50V,C0G,TP,1005"	GRP1555C1H330J
181	C467	2203-000812	"C-CERAMIC,CHIP"	"0.033NF,5%,50V,C0G,TP,1005"	GRP1555C1H330J
182	C468	2203-000812	"C-CERAMIC,CHIP"	"0.033NF,5%,50V,C0G,TP,1005"	GRP1555C1H330J
183	C469	2203-000812	"C-CERAMIC,CHIP"	"0.033NF,5%,50V,C0G,TP,1005"	GRP1555C1H330J
184	C495	2203-000812	"C-CERAMIC,CHIP"	"0.033NF,5%,50V,C0G,TP,1005"	GRP1555C1H330J
185	C319	2203-000870	"C-CERAMIC,CHIP"	"0.003NF,0.25PF,50V,C0G,TP,1005"	GRP1555C1H3R0C
186	C493	2203-001259	"C-CERAMIC,CHIP"	"0.008nF,0.5pF,50V,NP0,TP,1005"	GRP1555C1H8R0DZ01E
187	C494	2203-001259	"C-CERAMIC,CHIP"	"0.008nF,0.5pF,50V,NP0,TP,1005"	GRP1555C1H8R0DZ01E
188	C499	2203-001259	"C-CERAMIC,CHIP"	"0.008nF,0.5pF,50V,NP0,TP,1005"	GRP1555C1H8R0DZ01E
189	C152	2203-001383	"C-CERAMIC,CHIP"	"0.0005nF,0.25pF,50V,NP0,TP,1005"	CL05C0R5CBNC
190	C110	2203-001405	"C-CERAMIC,CHIP"	"22nF,+80-20%,25V,Y5V,TP,1005"	CL05C0R5CBNC
191	C111	2203-001405	"C-CERAMIC,CHIP"	"22nF,+80-20%,25V,Y5V,TP,1005"	CL05C0R5CBNC
192	C112	2203-001405	"C-CERAMIC,CHIP"	"22nF,+80-20%,25V,Y5V,TP,1005"	CL05C0R5CBNC
193	C118	2203-001405	"C-CERAMIC,CHIP"	"22nF,+80-20%,25V,Y5V,TP,1005"	CL05C0R5CBNC
194	C119	2203-001405	"C-CERAMIC,CHIP"	"22nF,+80-20%,25V,Y5V,TP,1005"	CL05C0R5CBNC
195	C125	2203-001405	"C-CERAMIC,CHIP"	"22nF,+80-20%,25V,Y5V,TP,1005"	CL05C0R5CBNC
196	C128	2203-001405	"C-CERAMIC,CHIP"	"22nF,+80-20%,25V,Y5V,TP,1005"	CL05C0R5CBNC
197	C129	2203-001405	"C-CERAMIC,CHIP"	"22nF,+80-20%,25V,Y5V,TP,1005"	CL05C0R5CBNC
198	C130	2203-001405	"C-CERAMIC,CHIP"	"22nF,+80-20%,25V,Y5V,TP,1005"	CL05C0R5CBNC
199	C312	2203-003054	"C-CERAMIC,CHIP"	"0.009nF,0.25pF,50V,NP0,TP,1005"	CL05C090CBNC
200	C474	2203-003054	"C-CERAMIC,CHIP"	"0.009nF,0.25pF,50V,NP0,TP,1005"	CL05C090CBNC
201	C123	2203-005050	"C-CERAMIC,CHIP"	"0.0018nF,0.25pF,50V,NP0,TP,1005"	CL05C1R8CBNC

NO	Reference	SEC CODE	Part	Description	Vendor Part No.
202	C124	2203-005050	"C-CERAMIC,CHIP"	"0.0018nF,0.25pF,50V,NP0,TP,1005"	CL05C1R8CBNC
203	C316	2203-005061	"C-CERAMIC,CHIP"	"100nF,+80-20%,16V,Y5V,TP,1005"	CL05F104ZONC
204	C324	2203-005061	"C-CERAMIC,CHIP"	"100nF,+80-20%,16V,Y5V,TP,1005"	CL05F104ZONC
205	C332	2203-005061	"C-CERAMIC,CHIP"	"100nF,+80-20%,16V,Y5V,TP,1005"	CL05F104ZONC
206	C400	2203-005061	"C-CERAMIC,CHIP"	"100nF,+80-20%,16V,Y5V,TP,1005"	CL05F104ZONC
207	C402	2203-005061	"C-CERAMIC,CHIP"	"100nF,+80-20%,16V,Y5V,TP,1005"	CL05F104ZONC
208	C306	2203-005065	"C-CERAMIC,CHIP"	"1000nF,+80-20%,10V,Y5V,TP,1608"	CL10F105ZPNC
209	C120	2203-005234	"C-CERAMIC,CHIP"	"0.0012nF,0.25pF,50V,NP0,TP,1005"	CL05C1R2CBNC
210	C121	2203-005234	"C-CERAMIC,CHIP"	"0.0012nF,0.25pF,50V,NP0,TP,1005"	CL05C1R2CBNC
211	C491	2203-005444	"C-CERAMIC,CHIP"	"0.003nF,0.1pF,50V,NP0,TP,1005"	GRP1555C1H3R0B
212	C145	2203-005450	"C-CERAMIC,CHIP"	"0.0056nF,0.1pF,50V,NP0,TP,1005"	GRP1555C1H5R6BZ01E
213	C482	2203-005480	"C-CERAMIC,CHIP"	"33nF,10%,10V,X7R,TP,1005,-"	GRP155R71A333KA01E
214	C488	2203-005480	"C-CERAMIC,CHIP"	"33nF,10%,10V,X7R,TP,1005,-"	GRP155R71A333KA01E
215	C492	2203-005481	"C-CERAMIC,CHIP"	"47nF,10%,10V,X7R,TP,1005,-"	GRP155R71A473KA01E
216	C300	2203-005482	"C-CERAMIC,CHIP"	"100nF,10%,10V,X5R,TP,1005,-"	GRP155R61A104KA01E
217	C302	2203-005482	"C-CERAMIC,CHIP"	"100nF,10%,10V,X5R,TP,1005,-"	GRP155R61A104KA01E
218	C303	2203-005482	"C-CERAMIC,CHIP"	"100nF,10%,10V,X5R,TP,1005,-"	GRP155R61A104KA01E
219	C457	2203-005503	"C-CERAMIC,CHIP"	"0.18nF,5%,25V,NP0,TP,1005"	CL05C181JANC
220	C461	2203-005503	"C-CERAMIC,CHIP"	"0.18nF,5%,25V,NP0,TP,1005"	CL05C181JANC
221	C345	2203-006208	"C-CERAMIC,CHIP"	"4700NF,20%,6.3V,X5R,TP,1608"	CM105X5R475M06AT
222	C343	2203-006208	"C-CERAMIC,CHIP"	"4700NF,20%,6.3V,X5R,TP,1608"	CM105X5R475M06AT
223	C342	2203-006208	"C-CERAMIC,CHIP"	"4700NF,20%,6.3V,X5R,TP,1608"	CM105X5R475M06AT
224	C314	2203-006208	"C-CERAMIC,CHIP"	"4700NF,20%,6.3V,X5R,TP,1608"	CM105X5R475M06AT
225	C310	2203-006208	"C-CERAMIC,CHIP"	"4700NF,20%,6.3V,X5R,TP,1608"	CM105X5R475M06AT
226	C307	2203-006208	"C-CERAMIC,CHIP"	"4700NF,20%,6.3V,X5R,TP,1608"	CM105X5R475M06AT
227	C301	2404-001105	"C-TA,CHIP"	"10UF,20%,6.3V,GP,TP,2012"	TCSCS0J106MPAR
228	C131	2404-001134	"C-TA,CHIP"	"100UF,20%,6.3V,LZ,TP,4028"	595D107X06R3B2T
229	C485	2404-001162	"C-TA,CHIP"	"47uF,20%,4V,LZ,TP,3216"	F950G476MAAJZTQ2
230	C341	2503-001041	C-NETWORK	"100PFX4,10%,25V,-"	W2A43A101KAT2A
231	L104	2703-002176	INDUCTOR-SMD	"2.7NH,0.3NH,1X0.5X0.5MM"	CIH05T2N7SNC
232	L100	2703-002198	INDUCTOR-SMD	"10NH,5%,1.0X0.5X0.5MM"	CIH05T10NJNC
233	L108	2703-002201	INDUCTOR-SMD	"33NH,5%,1.0X0.5X0.5MM"	CIH05T33NJNC
234	L111	2703-002203	INDUCTOR-SMD	"15NH,5%,1.0X0.5X0.5MM"	CIH05T15NJNC
235	L101	2703-002205	INDUCTOR-SMD	"3.9NH,10%,1.0X0.5X0.5MM"	CIH05T3N9KNC
236	L107	2703-002205	INDUCTOR-SMD	"3.9NH,10%,1.0X0.5X0.5MM"	CIH05T3N9KNC
237	L109	2703-002205	INDUCTOR-SMD	"3.9NH,10%,1.0X0.5X0.5MM"	CIH05T3N9KNC
238	L106	2703-002268	INDUCTOR-SMD	"8.2NH,10%,1.0X0.5X0.5MM"	CIH05T8N2JNC
239	L400	2703-002269	INDUCTOR-SMD	"56NH,10%,1.0X0.5X0.5MM"	CIH05T56NJNC
240	L402	2703-002314	INDUCTOR-SMD	"47NH,5%,1.0X0.5X0.5MM"	CIH05T47NJNC
241	L403	2703-002314	INDUCTOR-SMD	"47NH,5%,1.0X0.5X0.5MM"	CIH05T47NJNC
242	L102	2703-002484	INDUCTOR-SMD	"7.5NH,5%,1.0X0.5X0.5MM"	0402CS-7N5XJBW
243	L103	2703-002485	INDUCTOR-SMD	"27NH,5%,1.0X0.5X0.5MM"	0402CS-27NXJBW
244	X1	2801-004025	CRYSTAL-UNIT	"0.032768MHz,20ppm,28-ABK, 1.7fF,65kohm,TP"	FC-255

NO	Reference	SEC CODE	Part	Description	Vendor Part No.
245	U102	2809-001266	OSCILLATOR-VCTCXO	"13MHZ,5PPM,10KOHM//10~40PF,TP,2.8V,-"	TCO-9141E(13MHZ)
246	F401	2901-001234	FILTER-EMI SMD	"6V,0.02A,-,47PF,3.2X1.6X0.6MM,TP"	NFA31GD4704704D
247	F402	2901-001234	FILTER-EMI SMD	"6V,0.02A,-,47PF,3.2X1.6X0.6MM,TP"	NFA31GD4704704D
248	F101	2904-001417	FILTER-SAW	"942.5MHZ,-,0.8DB,TP,925.0-960.0MHZ/1.9DB,-"	B7820
249	F100	2904-001419	FILTER-SAW	"1.8425GHZ,-,0.9DB,TP,1805.0-1880.0/2.4DB,-"	B7821
250	U107	2909-001197	FILTER-DUPLEXER	"1.8425GHZ,1.7475GHZ,0.1/0.05DB,TP,-,-"	LMG002S-5047A
251	L302	3301-001120	CORE-FERRITE BEAD	"AB,30ohm,2x1.25x0.85mm,3000mA"	BLM21PG300SN1D
252	L301	3301-001362	CORE-FERRITE BEAD	"AB,1kohm,1x0.5x0.5mm"	BLM15AG102PN1D
253	L401	3301-001362	CORE-FERRITE BEAD	"AB,1kohm,1x0.5x0.5mm"	BLM15AG102PN1D
254	CON1	3705-001287	CONNECTOR-COAXIAL	"-,JACK,75MOHM,50OHM,0.1DB"	MS-156
255	CN302	3709-001244	CONNECTOR-CARD EDGE	"6P,2MM,-,AU"	PC-D6-A3-H2.9-S
256	CN4	3710-001816	CONNECTOR-SOCKET	"18P,1R,0.5MM,ANGLE,AU"	1004-0018-319
257	CN100	3711-005229	CONNECTOR-HEADER	"BOX,30P,2R,0.4MM,SMD-S,AU,BLK"	14-5602-030-001-829
258	EAR500	3722-001715	JACK-PHONE	"6P,2.3PI,AU,BLK,-"	02-828P0-53BKA
259	C322	4302-001119	BATTERY-LI(2ND)	3V,0.1MAH,-,-,3.1V,-	RB414II06N
260		GH41-00362A	PCB-SGHT410MAIN	SGH-T410,FR-4,-,-,1.00T,100X155	GH41-00362A

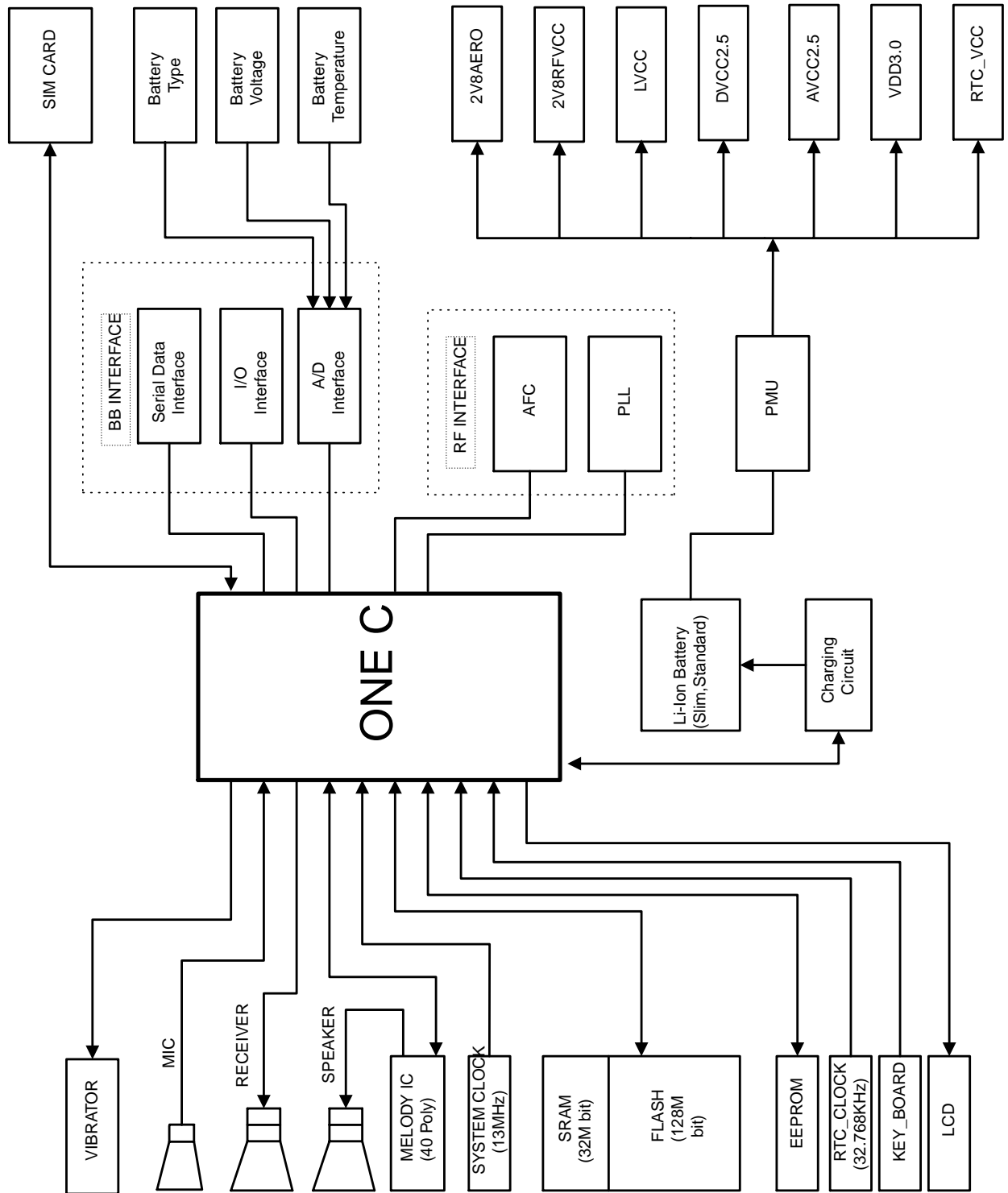
### 3-2 Main Parts List Bottom

NO	Reference	SEC CODE	Part	Description	Vendor Part No.
1	D313	0406-001083	DIODE-TVS	"-,6.1-/7.2V,150W,SOT-323-5L"	ESDA6V1W5
2	Q300	0504-001012	TR-DIGITAL	"DTC114YE,NPN,150MW,10K/47K,EMT3,TP"	DTC114YE
3	U401	0504-001151	TR-DIGITAL	"PEMD10,NPN/PNP,300MW,2.2K/47KOHM,SOT-666,TP"	PEMD10
4	U402	0504-001151	TR-DIGITAL	"PEMD10,NPN/PNP,300MW,2.2K/47KOHM,SOT-666,TP"	PEMD10
5	Q304	0505-001570	FET-SILICON	"-,N/P,-,-,0.4W,SC70-6"	SI1865DL-T1
6	U303	0506-001052	TR-ARRAY	"UMH9N,NPN,2,150MW,SC-88,TP,68-"	UMH9N-TN
7	D301	0601-001543	LED	"CHIP,ORG/GRN/BLUE,2X2MM,605/525/470NM"	HL500-F01-SS
8	D303	0601-001611	LED	"CHIP,WHT,1.1X0.8MM,-"	SLS-NNWH102TS
9	D304	0601-001611	LED	"CHIP,WHT,1.1X0.8MM,-"	SLS-NNWH102TS
10	D305	0601-001611	LED	"CHIP,WHT,1.1X0.8MM,-"	SLS-NNWH102TS
11	D306	0601-001611	LED	"CHIP,WHT,1.1X0.8MM,-"	SLS-NNWH102TS
12	D307	0601-001611	LED	"CHIP,WHT,1.1X0.8MM,-"	SLS-NNWH102TS
13	D308	0601-001611	LED	"CHIP,WHT,1.1X0.8MM,-"	SLS-NNWH102TS
14	D309	0601-001611	LED	"CHIP,WHT,1.1X0.8MM,-"	SLS-NNWH102TS
15	D310	0601-001611	LED	"CHIP,WHT,1.1X0.8MM,-"	SLS-NNWH102TS
16	D311	0601-001611	LED	"CHIP,WHT,1.1X0.8MM,-"	SLS-NNWH102TS
17	U403	0801-002540	IC-CMOS LOGIC	"7SZ19,DECODER,SOP,6P,49MIL,SINGLE,TP,PLASTIC"	NC7SZ19P6X
18	U400	1009-001010	IC-HALL EFFECT S/W	"A3212ELH-SAMSUNG,SC-59A,3P,82MIL"	A3212ELHLT-SAMSUNG
19	U412	1204-001960	IC-MELODY	"YMU762 MA-3,QFN,32P,6.2X5"	YMU762-QE2
20	V401	1405-001019	VARISTOR	"5.6V,-,1.6x0.8mm,TP"	AVL 5M 03 300
21	V402	1405-001082	VARISTOR	"5.6V,20A,1x0.5x0.6mm,TP"	VC040205X150R
22	R344	2007-000141	R-CHIP	"2.2Kohm,5%,1/16W,DA,TP,1005"	RC1005J222CS
23	R335	2007-000143	R-CHIP	"4.7Kohm,5%,1/16W,DA,TP,1005"	RC1005J472CS
24	R343	2007-000146	R-CHIP	"6.8Kohm,5%,1/16W,DA,TP,1005"	RC1005J682CS
25	R325	2007-000148	R-CHIP	"10Kohm,5%,1/16W,DA,TP,1005"	RC1005J103CS
26	R339	2007-000152	R-CHIP	"20Kohm,5%,1/16W,DA,TP,1005"	RC1005J203CS
27	R338	2007-000157	R-CHIP	"47Kohm,5%,1/16W,DA,TP,1005"	RC1005J473CS
28	R400	2007-000157	R-CHIP	"47Kohm,5%,1/16W,DA,TP,1005"	RC1005J473CS
29	R470	2007-000157	R-CHIP	"47Kohm,5%,1/16W,DA,TP,1005"	RC1005J473CS
30	R322	2007-000162	R-CHIP	"100Kohm,5%,1/16W,DA,TP,1005"	RC1005J104CS
31	R408	2007-000162	R-CHIP	"100Kohm,5%,1/16W,DA,TP,1005"	RC1005J104CS
32	R409	2007-000162	R-CHIP	"100Kohm,5%,1/16W,DA,TP,1005"	RC1005J104CS
33	R341	2007-001301	R-CHIP	"68ohm,5%,1/16W,DA,TP,1005"	RC1005J680CS
34	R342	2007-001306	R-CHIP	"150ohm,5%,1/16W,DA,TP,1005"	RC1005J151CS
35	R330	2007-001319	R-CHIP	"1.2Kohm,5%,1/16W,DA,TP,1005"	ERJ2GEJ122X
36	R328	2007-001325	R-CHIP	"3.3Kohm,5%,1/16W,DA,TP,1005"	RC1005J332CS
37	R340	2007-007008	R-CHIP	"300OHM,5%,1/16W,DA,TP,1005"	RC1005J301CS
38	R301	2007-007009	R-CHIP	"75OHM,5%,1/16W,DA,TP,1005"	RC1005J750CS
39	R302	2007-007009	R-CHIP	"75OHM,5%,1/16W,DA,TP,1005"	RC1005J750CS
40	R303	2007-007009	R-CHIP	"75OHM,5%,1/16W,DA,TP,1005"	RC1005J750CS

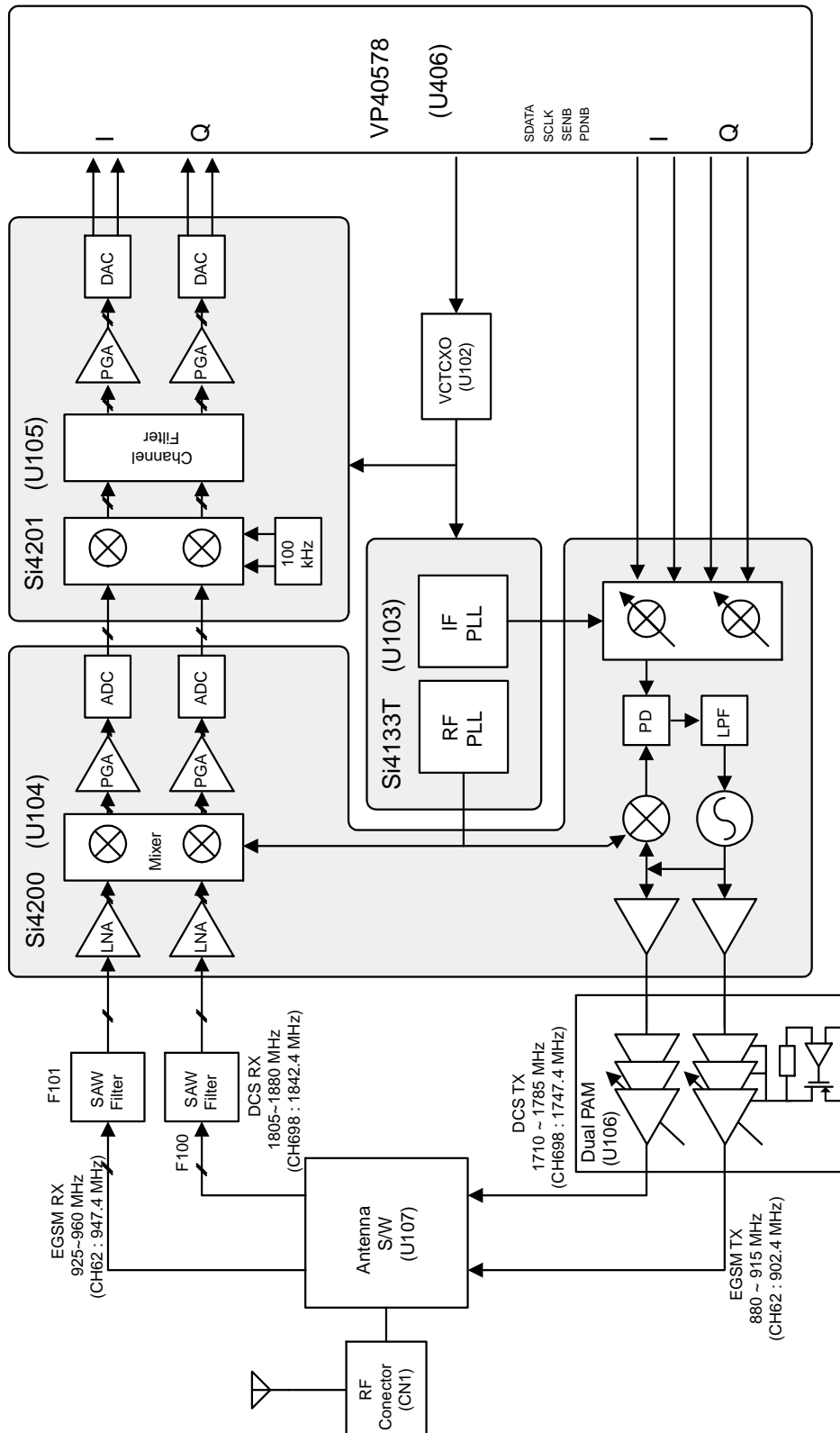
NO	Reference	SEC CODE	Part	Description	Vendor Part No.
41	R304	2007-007009	R-CHIP	"75OHM,5%,1/16W,DA,TP,1005"	RC1005J750CS
42	R305	2007-007009	R-CHIP	"75OHM,5%,1/16W,DA,TP,1005"	RC1005J750CS
43	R306	2007-007009	R-CHIP	"75OHM,5%,1/16W,DA,TP,1005"	RC1005J750CS
44	R307	2007-007009	R-CHIP	"75OHM,5%,1/16W,DA,TP,1005"	RC1005J750CS
45	R308	2007-007009	R-CHIP	"75OHM,5%,1/16W,DA,TP,1005"	RC1005J750CS
46	R309	2007-007009	R-CHIP	"75OHM,5%,1/16W,DA,TP,1005"	RC1005J750CS
47	R346	2007-007107	R-CHIP	"100Kohm,1%,1/16W,DA,TP,1005"	RC1005F1003CS
48	R345	2007-007590	R-CHIP	"82Kohm,1%,1/16W,DA,TP,1005"	ERJ2RKF8202X
49	R321	2007-007771	R-CHIP	"0OHM,5%,1/16W,DA,TP,1005"	RC1005J000CS
50	R329	2007-007771	R-CHIP	"0OHM,5%,1/16W,DA,TP,1005"	RC1005J000CS
51	R320	2011-001344	R-NETWORK	"100ohm,5%,1/16W,L,CHIP,8P,TP"	EXB28V101JX
52	R324	2011-001344	R-NETWORK	"100ohm,5%,1/16W,L,CHIP,8P,TP"	EXB28V101JX
53	C344	2203-000254	"C-CERAMIC, CHIP"	"10nF,10%,16V,X7R,TP,1005,-"	CL05B103KONC
54	C321	2203-000438	"C-CERAMIC, CHIP"	"1nF,10%,50V,X7R,TP,1005,-"	CL05B102KBNC
55	C334	2203-000679	"C-CERAMIC, CHIP"	"0.027NF,5%,50V,C0G,TP,1005"	CL05C270JBNC
56	C403	2203-002443	"C-CERAMIC, CHIP"	"0.33nF,10%,50V,X7R,TP,1005"	CL05B331KBNC
57	C328	2203-002687	"C-CERAMIC, CHIP"	"1.2nF,10%,50V,X7R,TP,1005"	CL05B122KBNC
58	C304	2203-005061	"C-CERAMIC, CHIP"	"100nF,+80-20%,16V,Y5V,TP,1005"	CL05F104ZONC
59	C317	2203-005061	"C-CERAMIC, CHIP"	"100nF,+80-20%,16V,Y5V,TP,1005"	CL05F104ZONC
60	C323	2203-005061	"C-CERAMIC, CHIP"	"100nF,+80-20%,16V,Y5V,TP,1005"	CL05F104ZONC
61	C330	2203-005061	"C-CERAMIC, CHIP"	"100nF,+80-20%,16V,Y5V,TP,1005"	CL05F104ZONC
62	C333	2203-005061	"C-CERAMIC, CHIP"	"100nF,+80-20%,16V,Y5V,TP,1005"	CL10F105ZPNC
63	C336	2203-005065	"C-CERAMIC, CHIP"	"1000nF,+80-20%,10V,Y5V,TP,1608"	CL10F105ZPNC
64	C327	2203-005496	"C-CERAMIC, CHIP"	"220nF,+80-20%,10V,Y5V,TP,1005"	GRP155F51A224ZD02E
65	C329	2404-001086	"C-TA,CHIP"	"4.7uF,20%,6.3V,GP,TP,2012,-"	TESVSP0J475M8RTJ

# 4. Block Diagrams

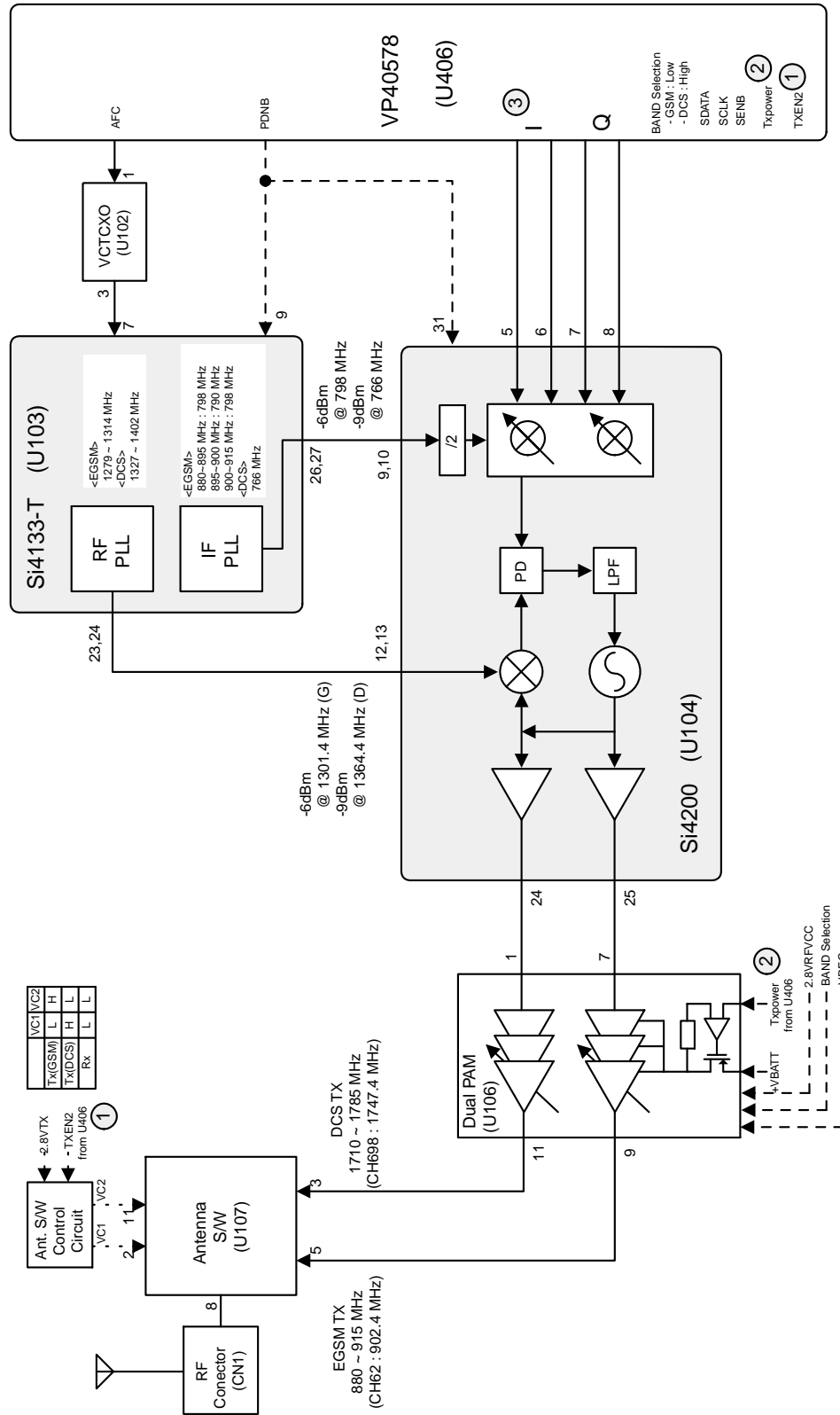
## 4-1 Main Baseband



## 4-2 Main RF

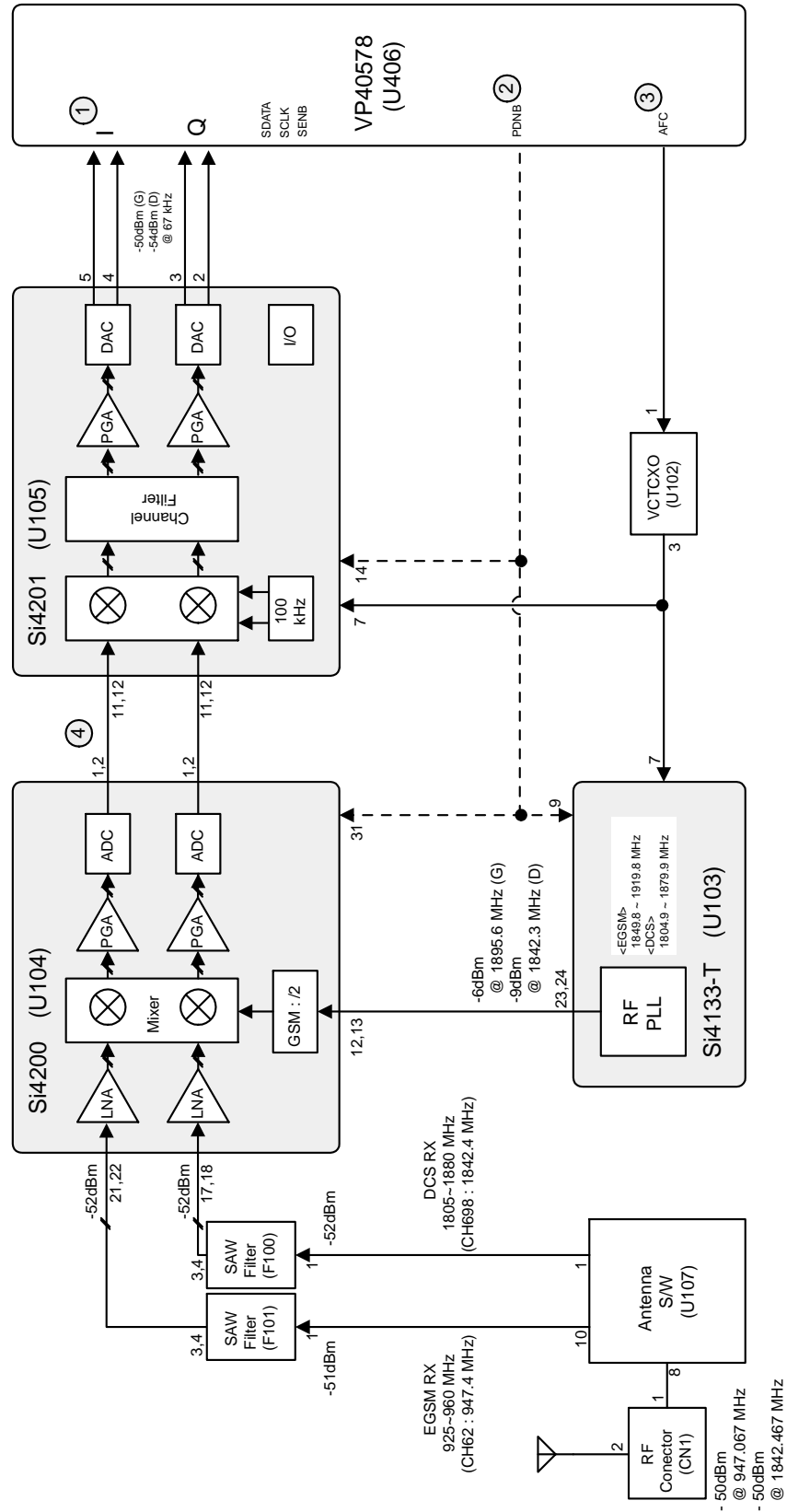


## 4-2-1 RF Transmit Part



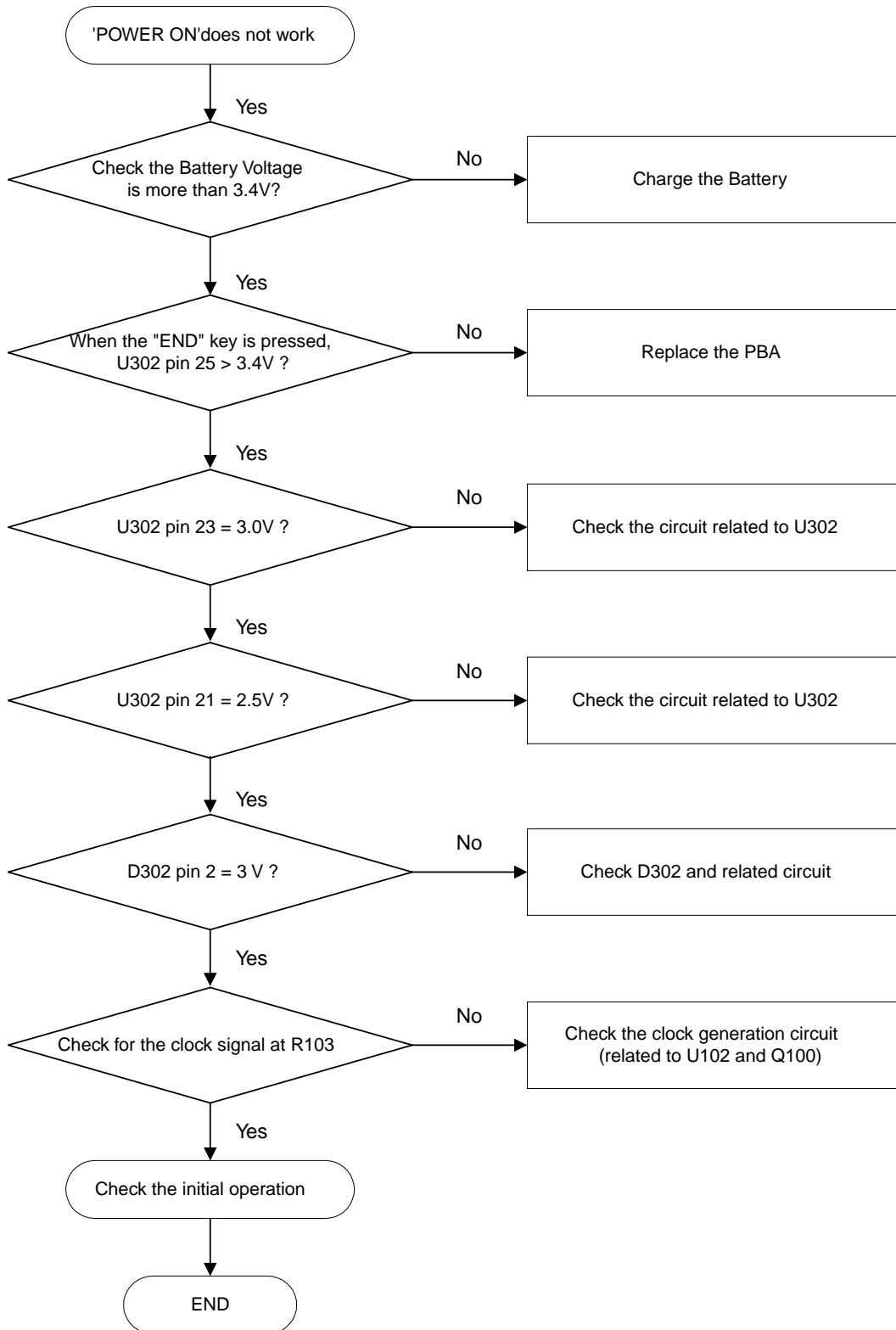


## 4-2-2 RF Receive Part



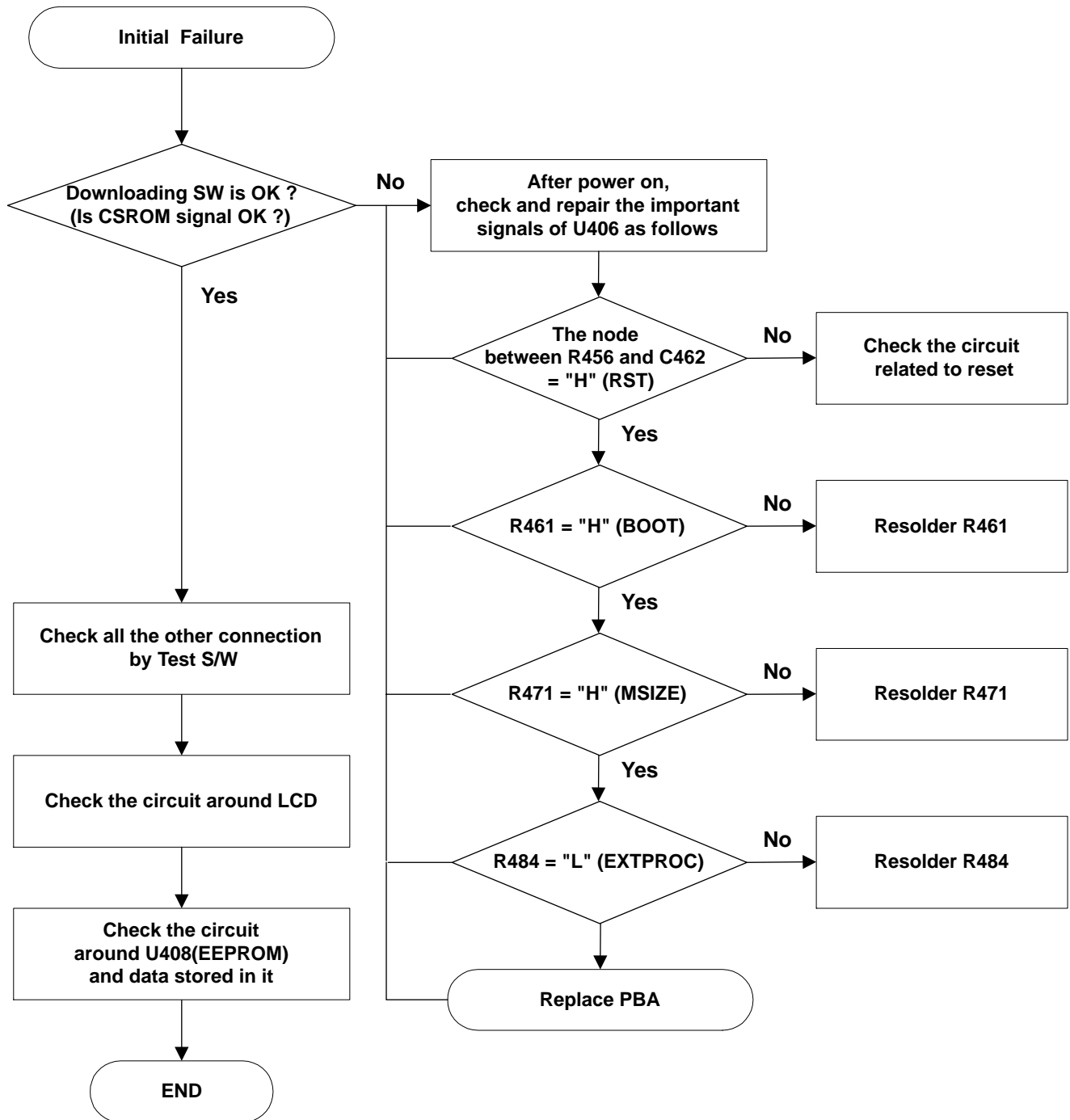
# 5. Flow Chart of Troubleshooting and Circuit Diagrams

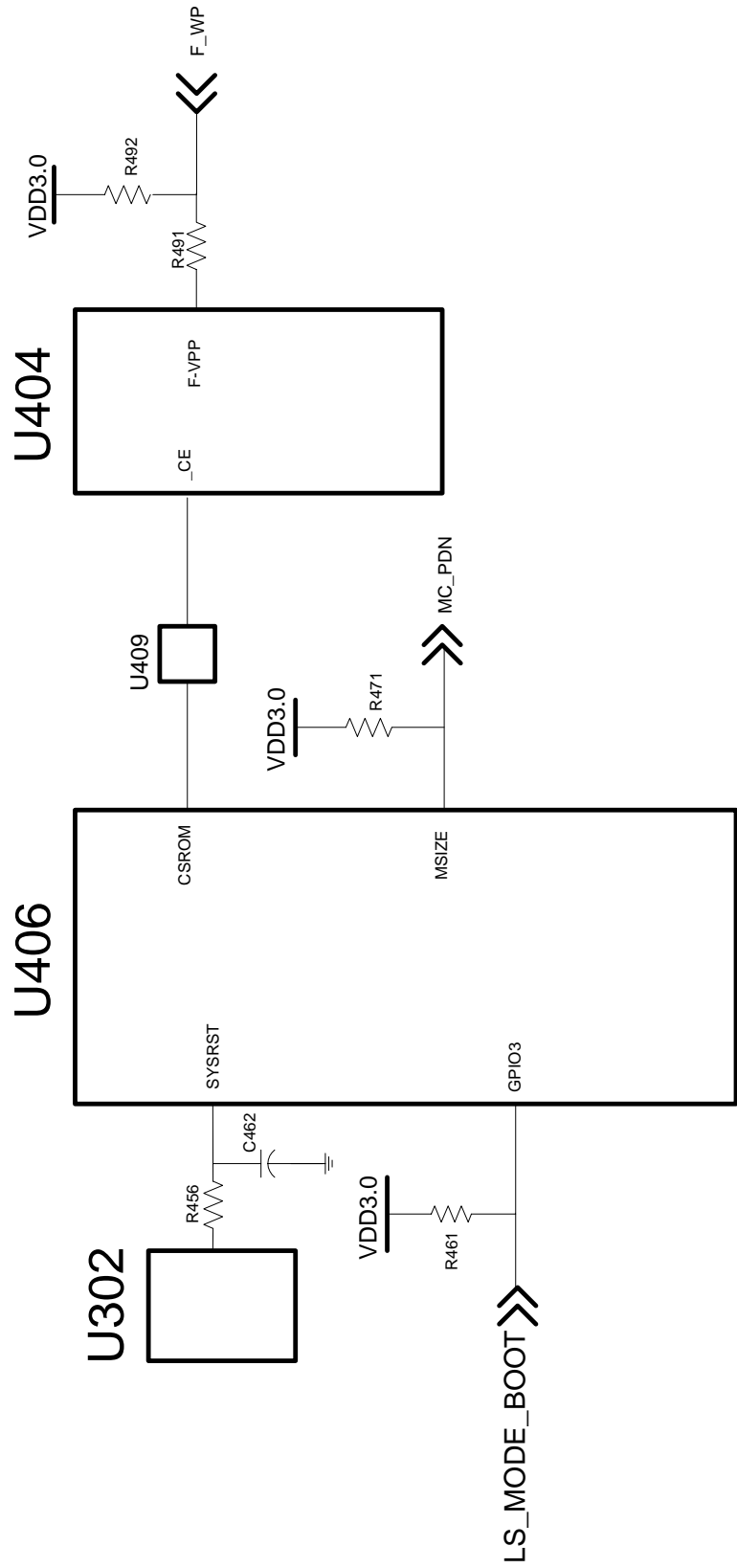
## 5-1 Power ON



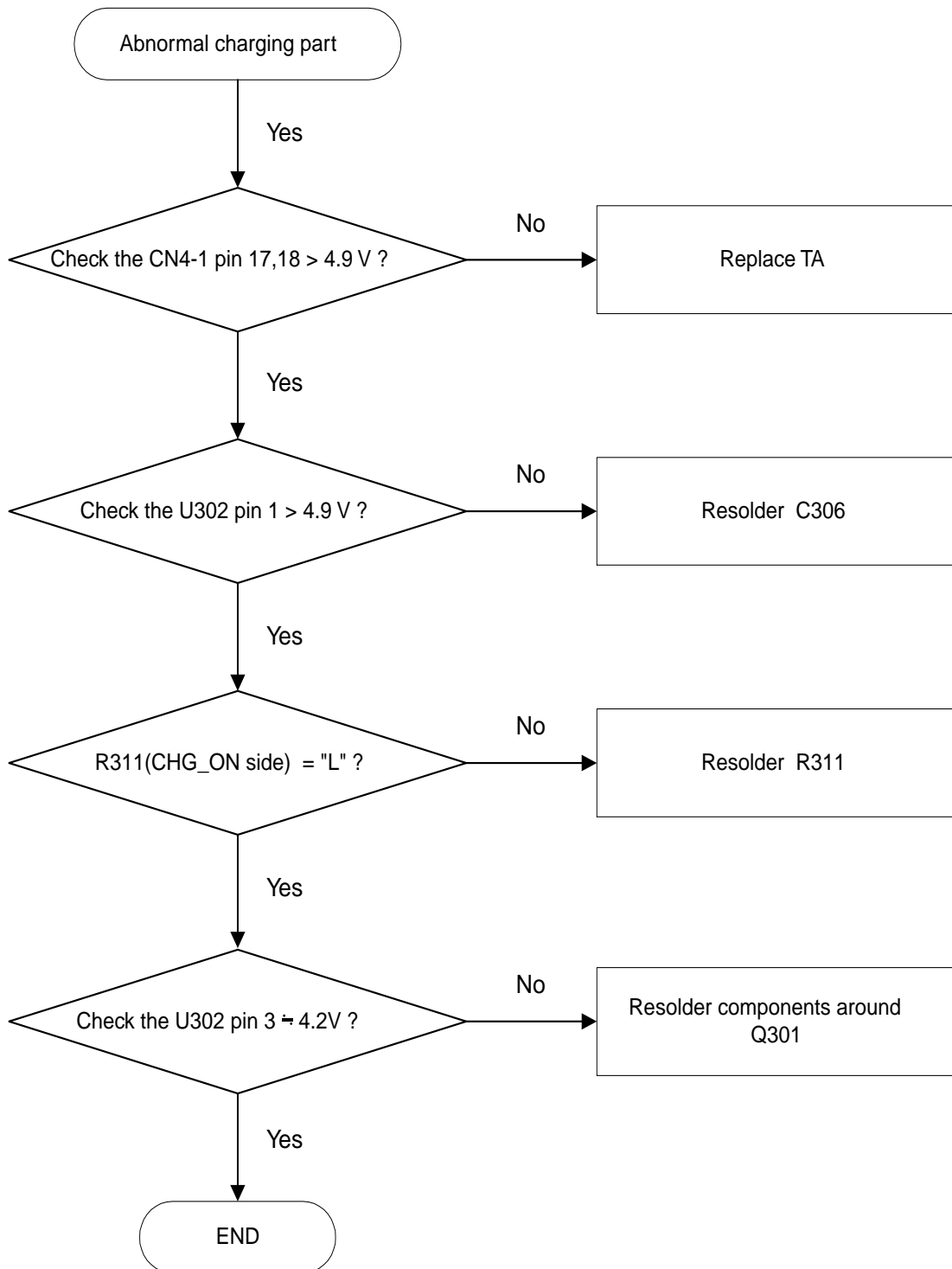


## 5-2 Initial

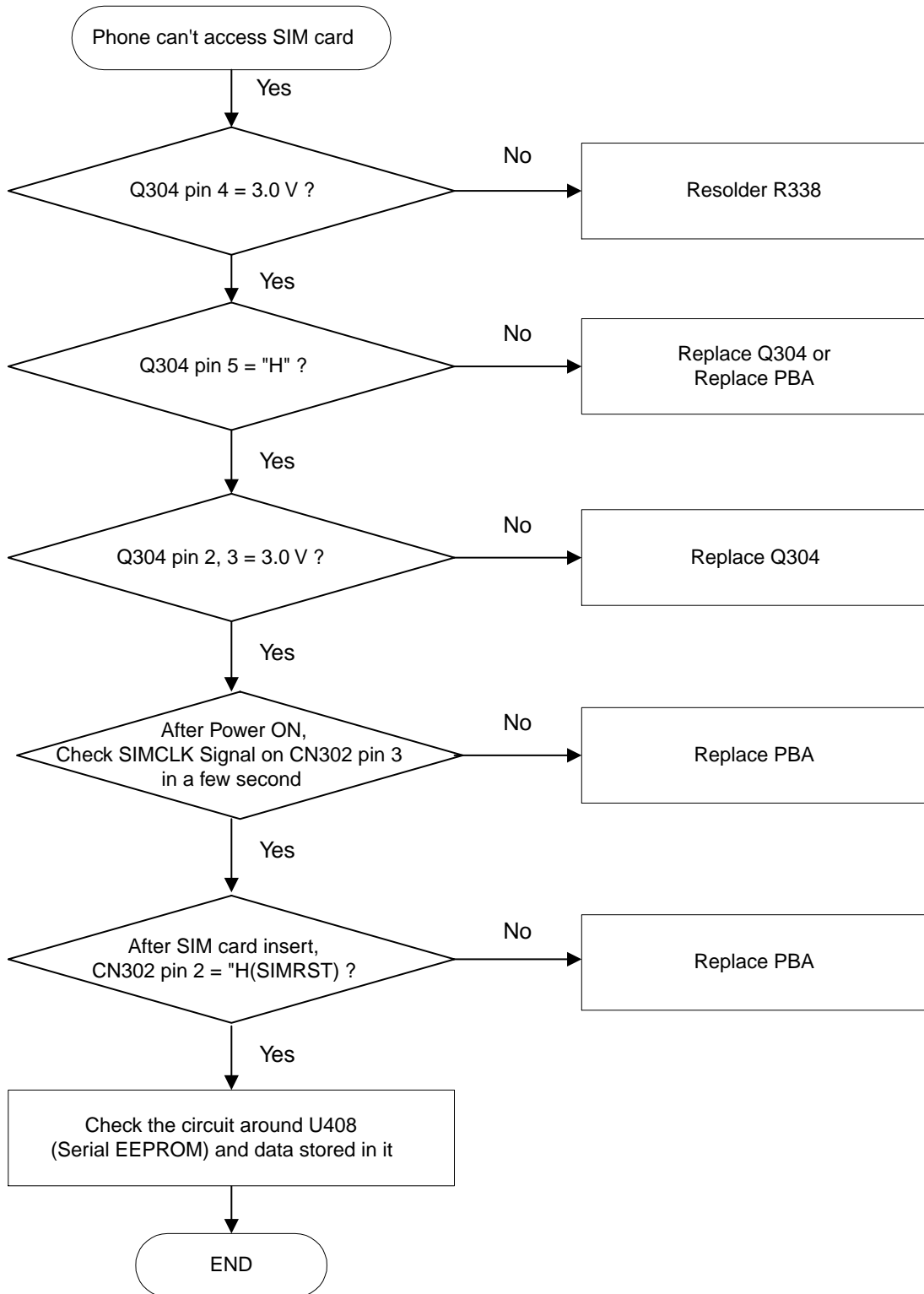


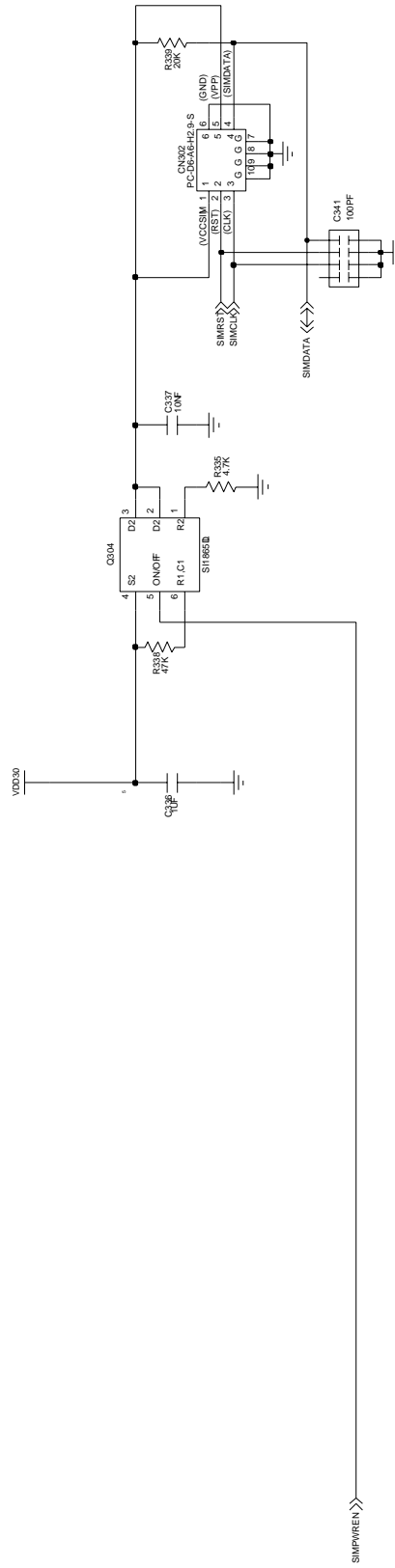


## 5-3 Charging Part



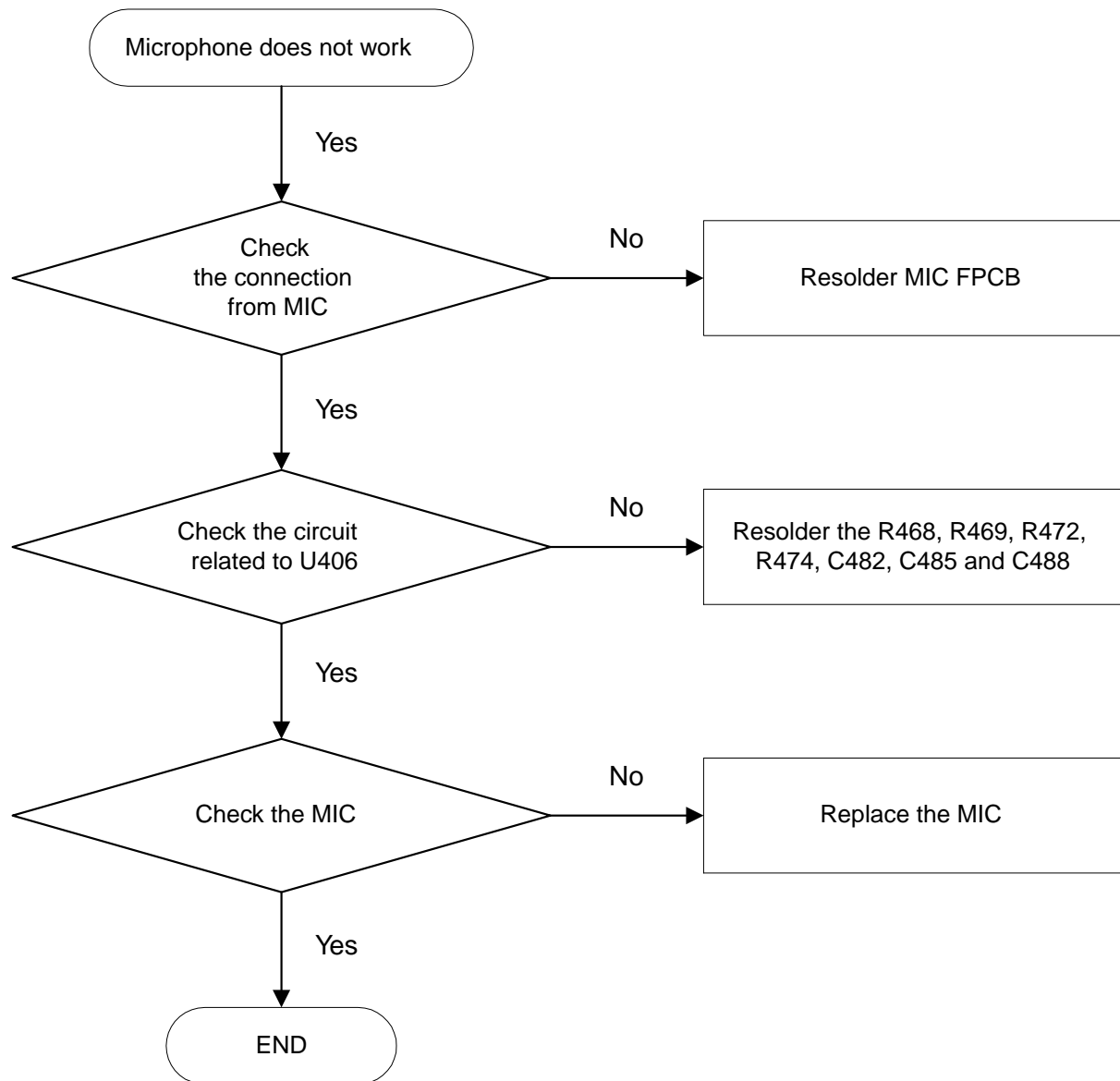
## 5-4 Sim Part

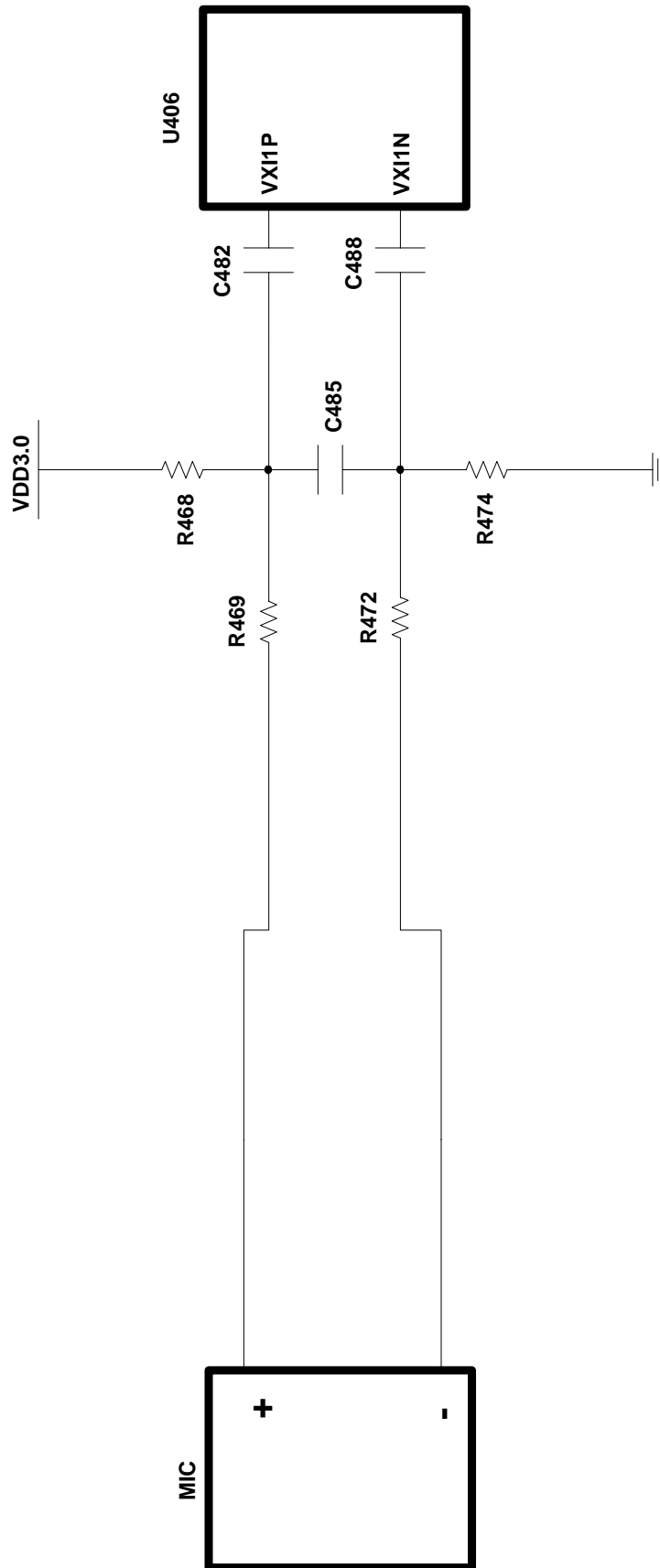




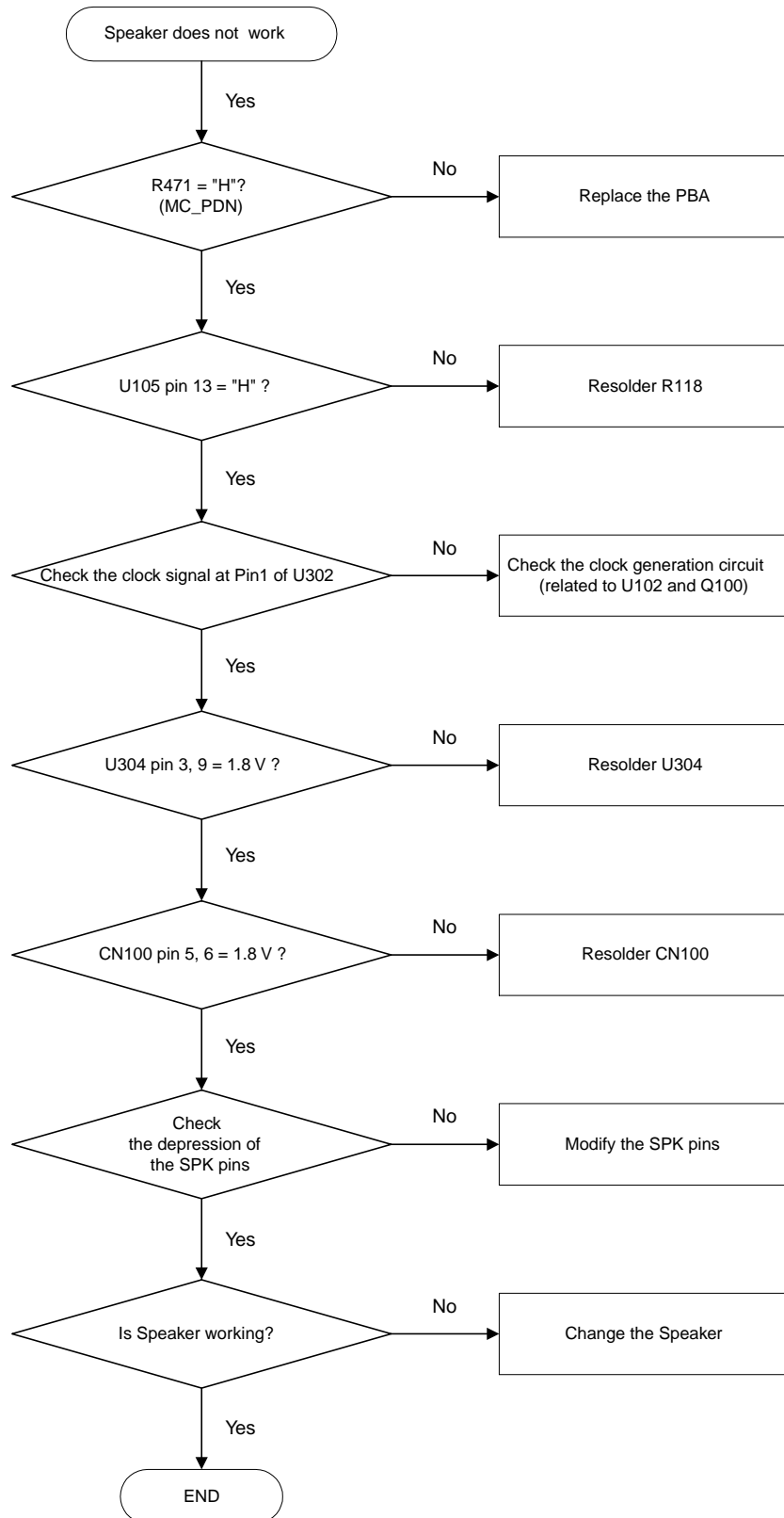


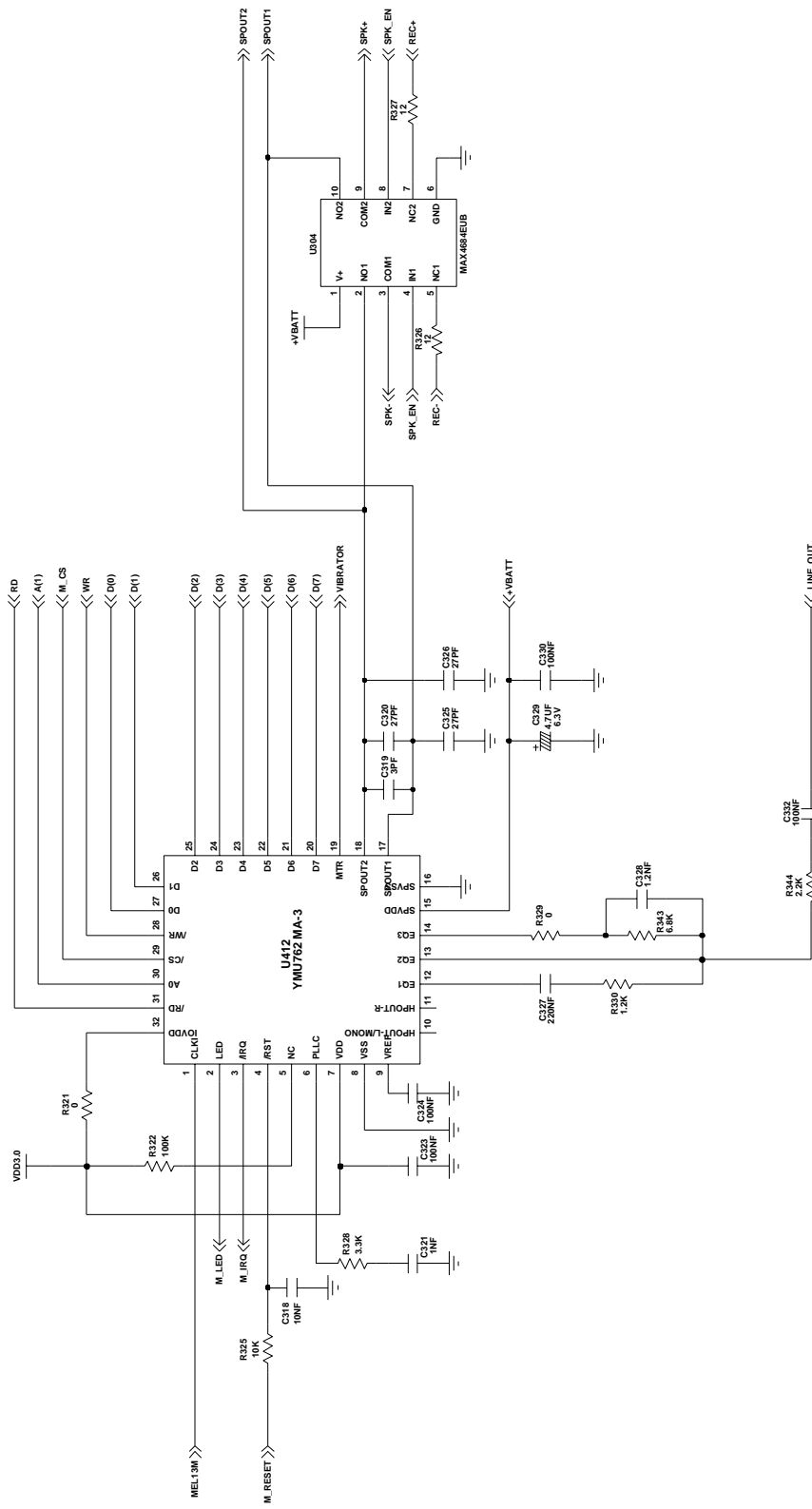
## 5-5 Microphone Part



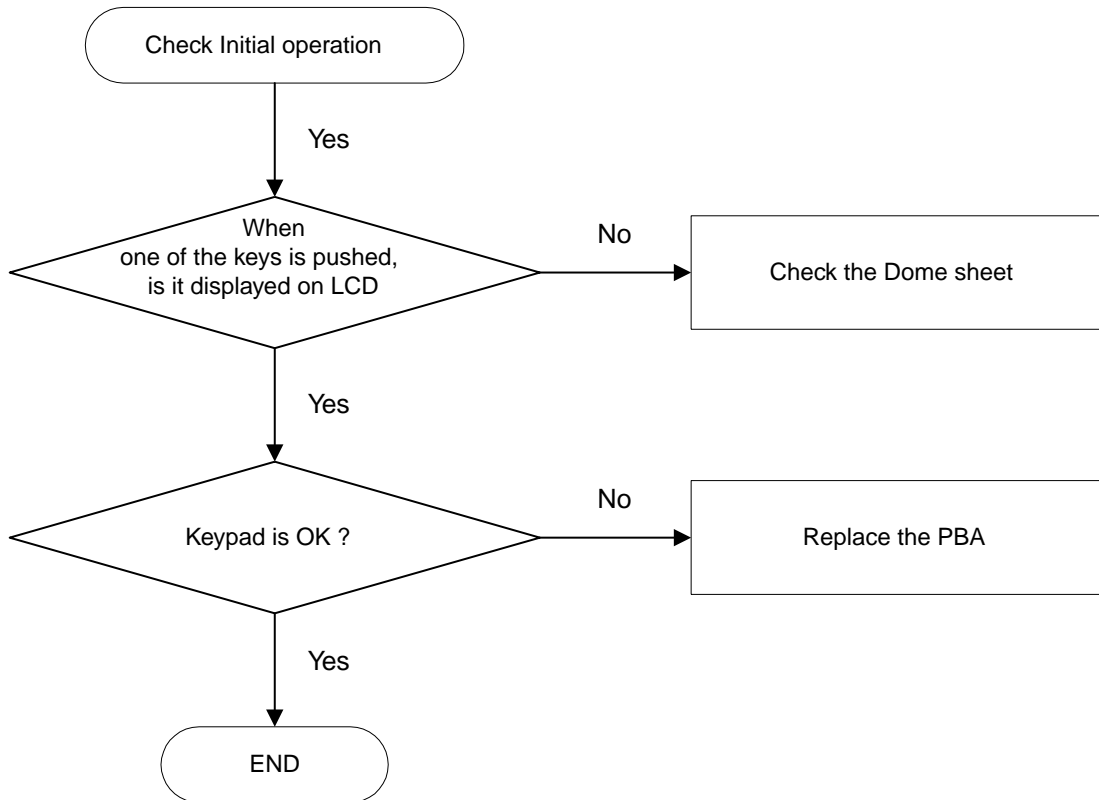


## 5-6 Speaker Part

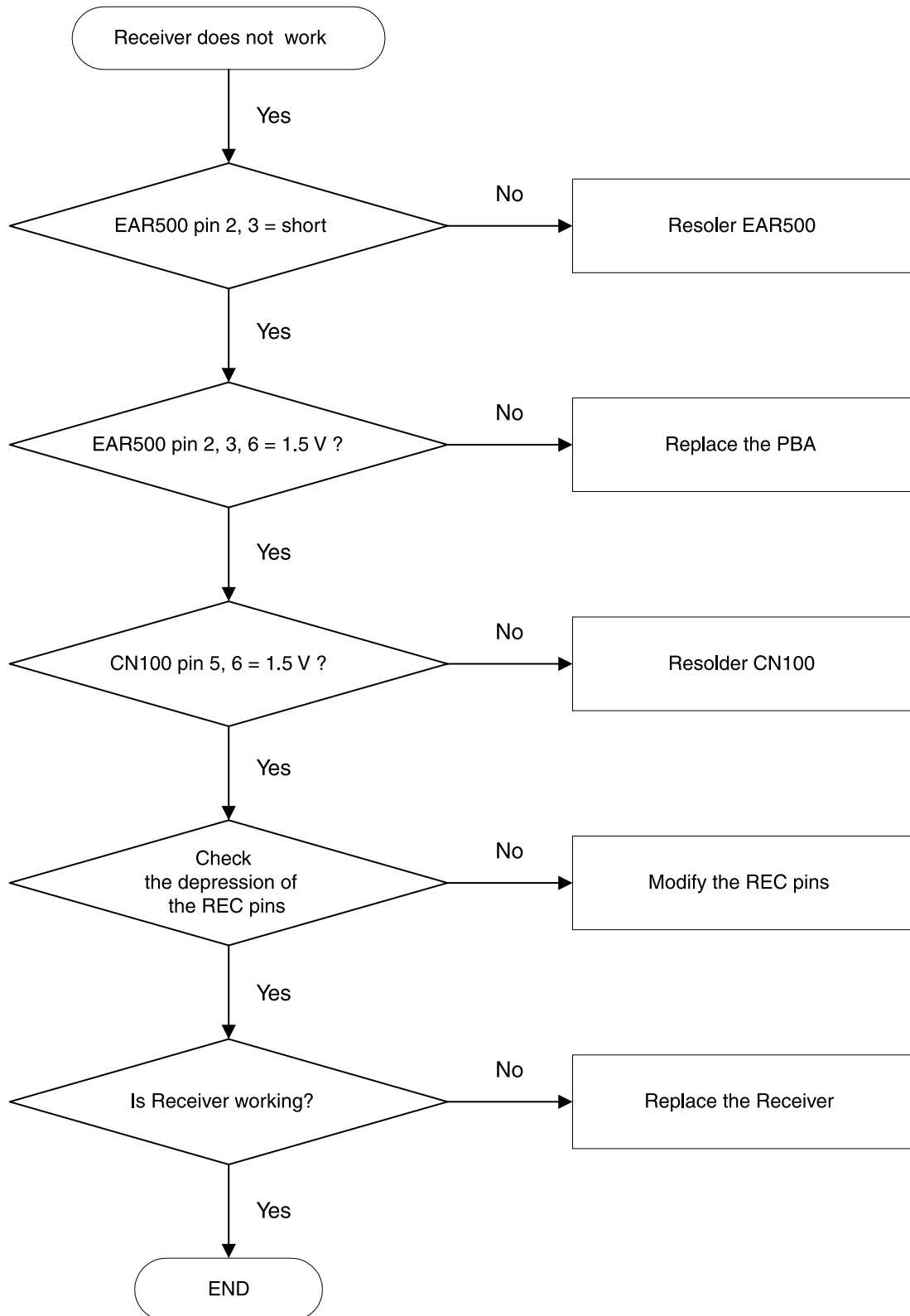


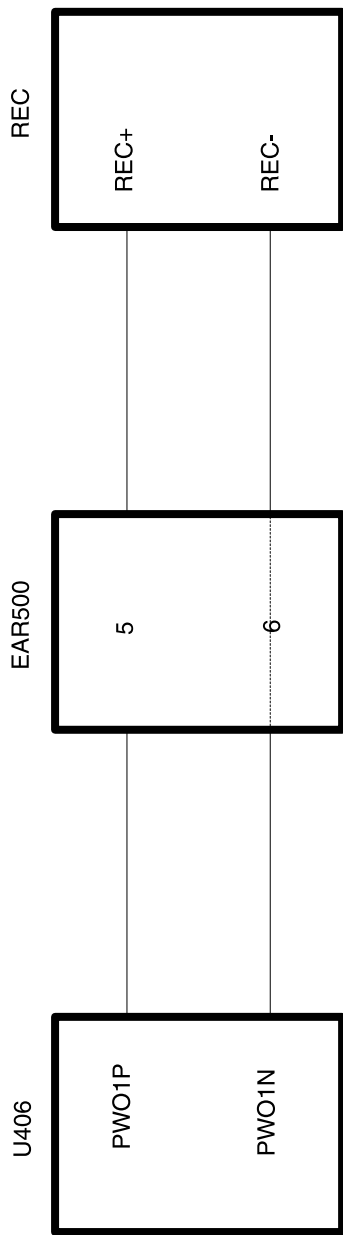


## 5-7 Key Data Input

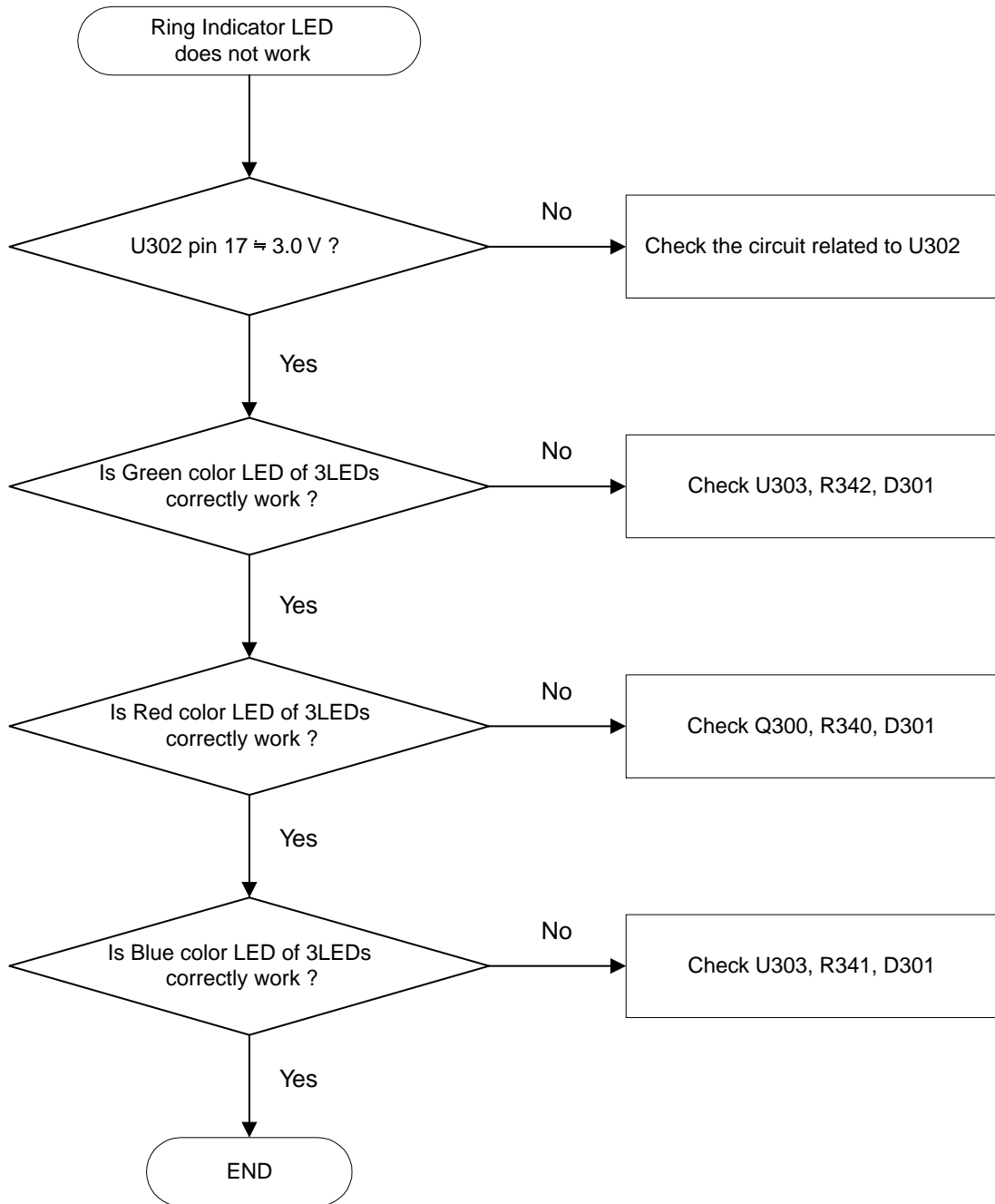


## 5-8 Receiver Part



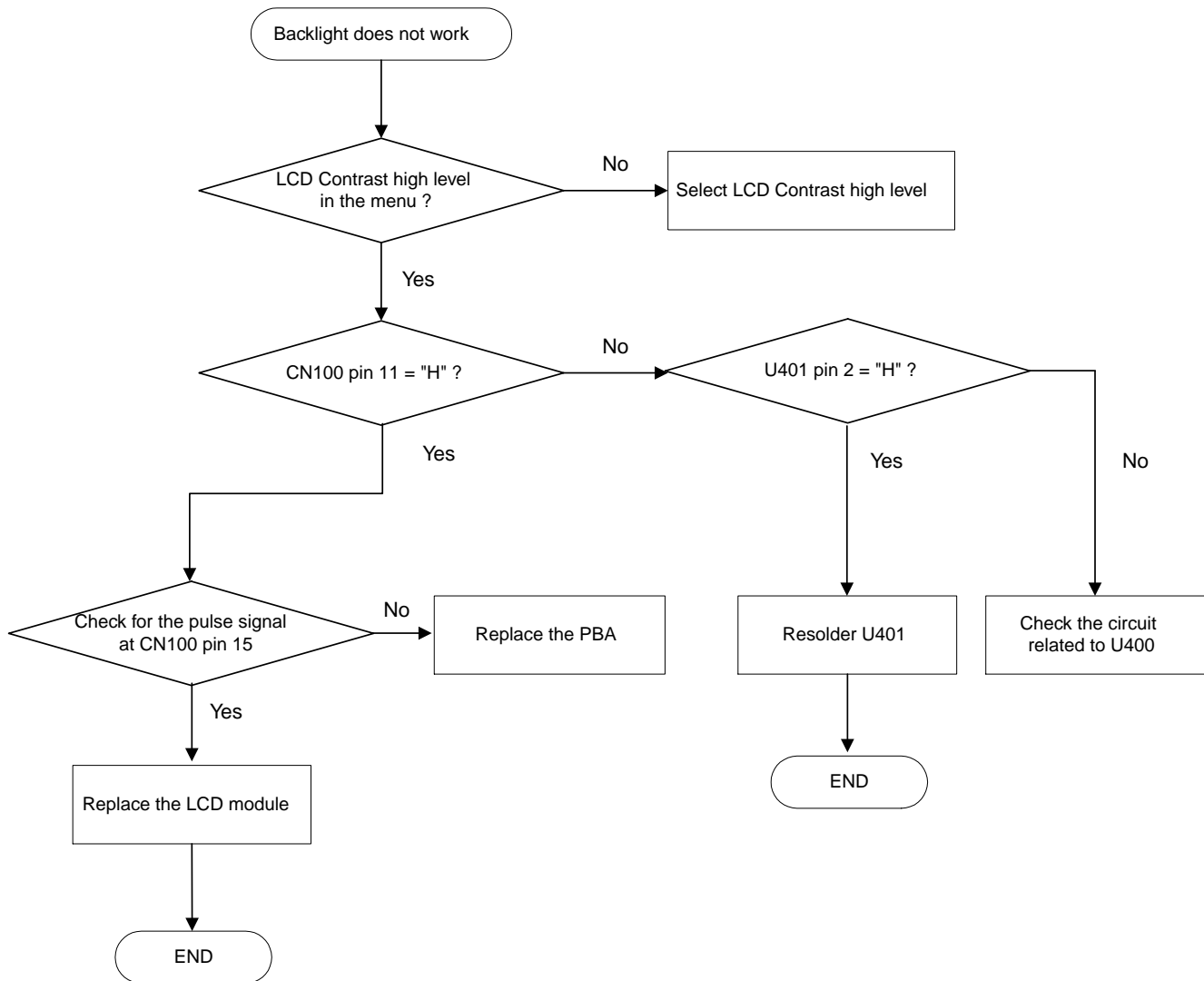


## 5-9 Ring Indicator

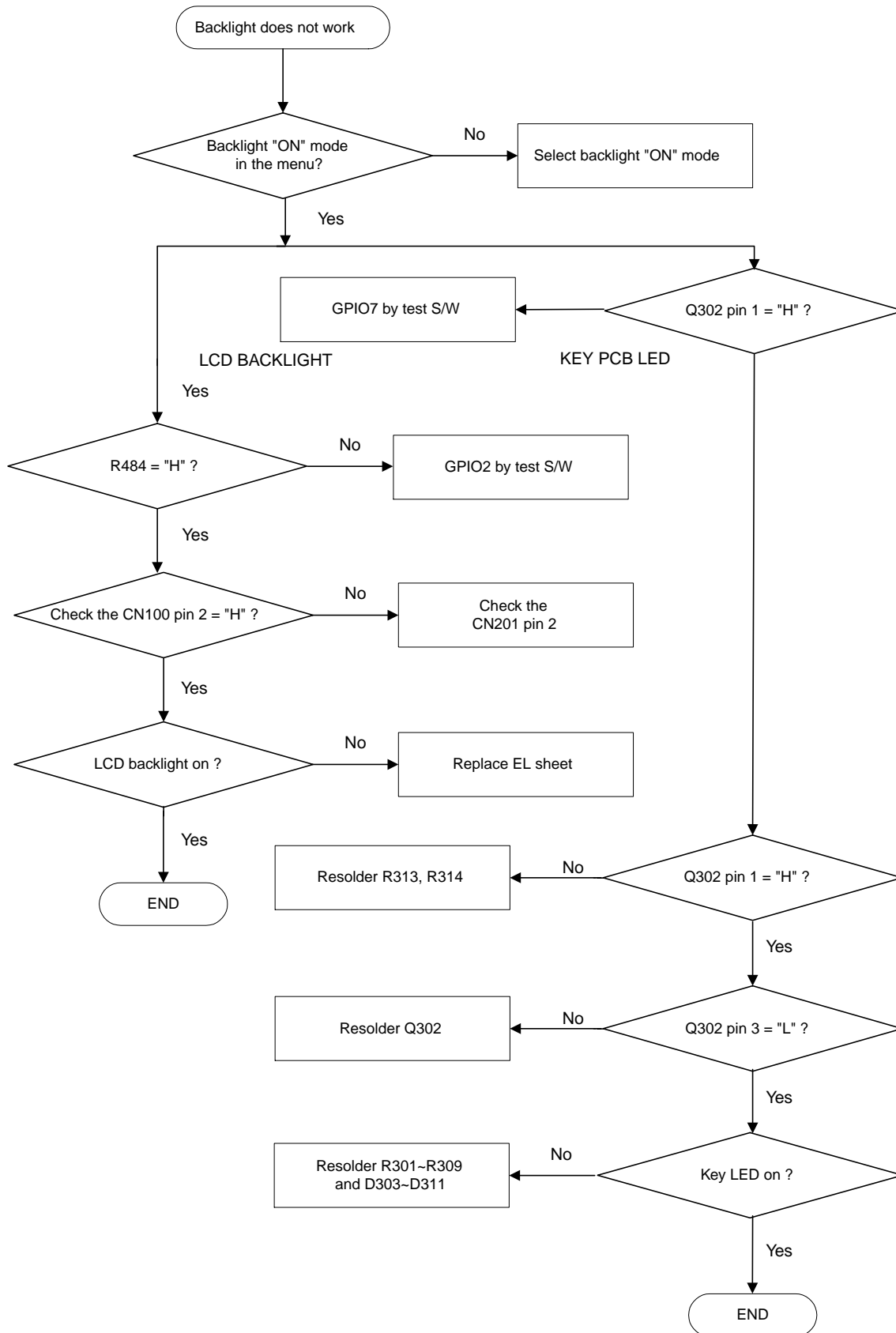




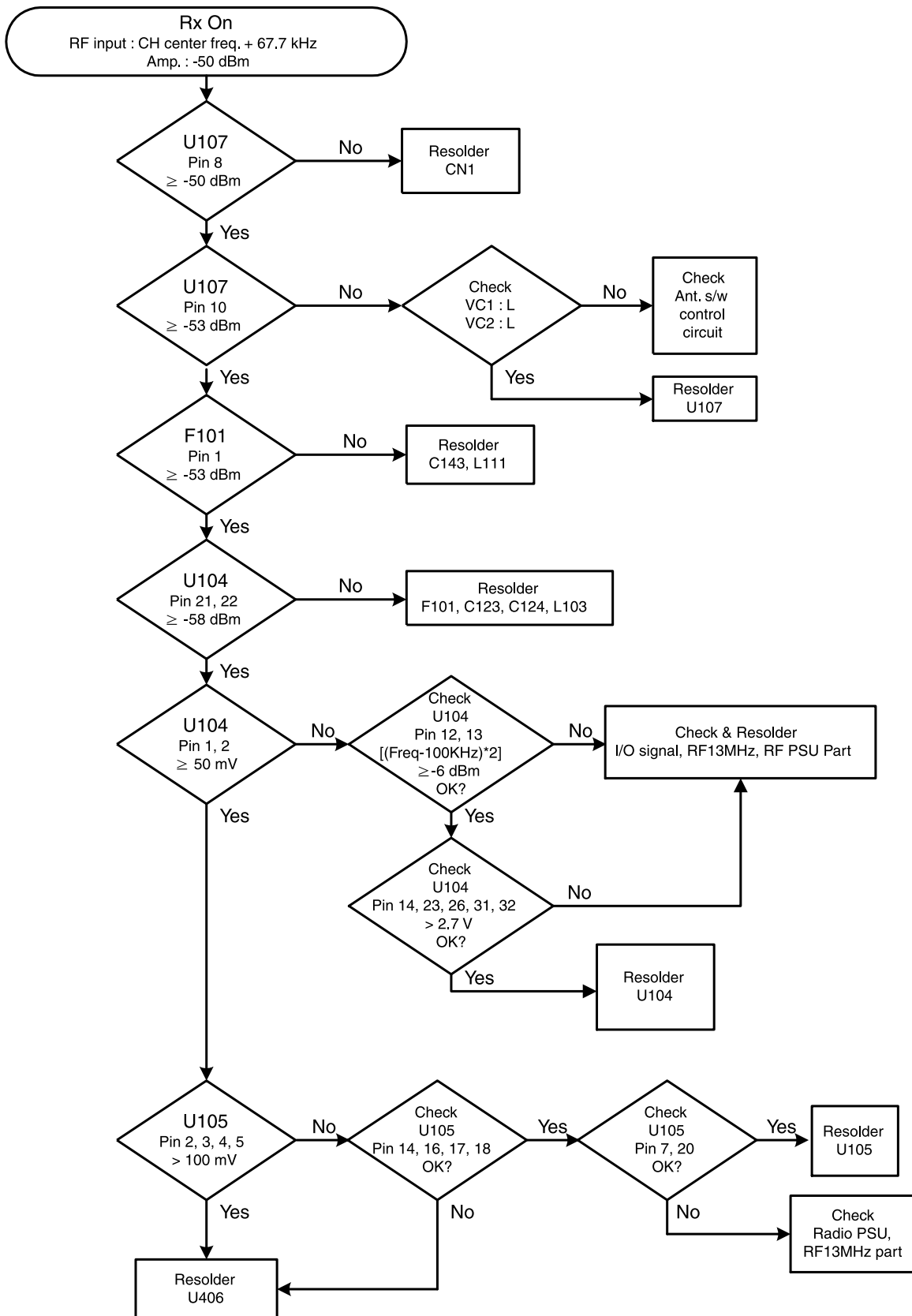
## 5-10 Back Light (for Color Main LCD)



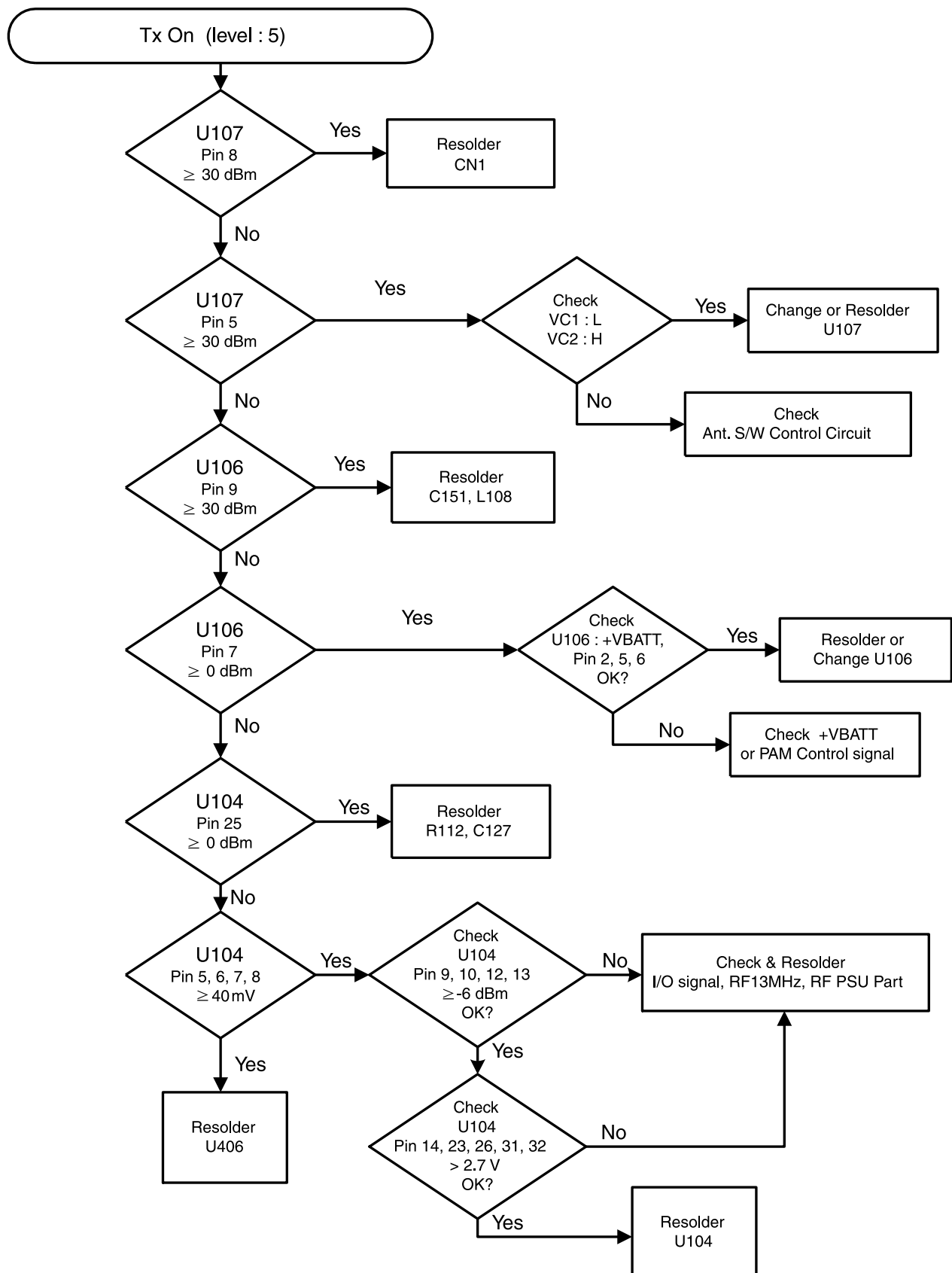
## 5-11 Back Light (for Sub LCD & Key)



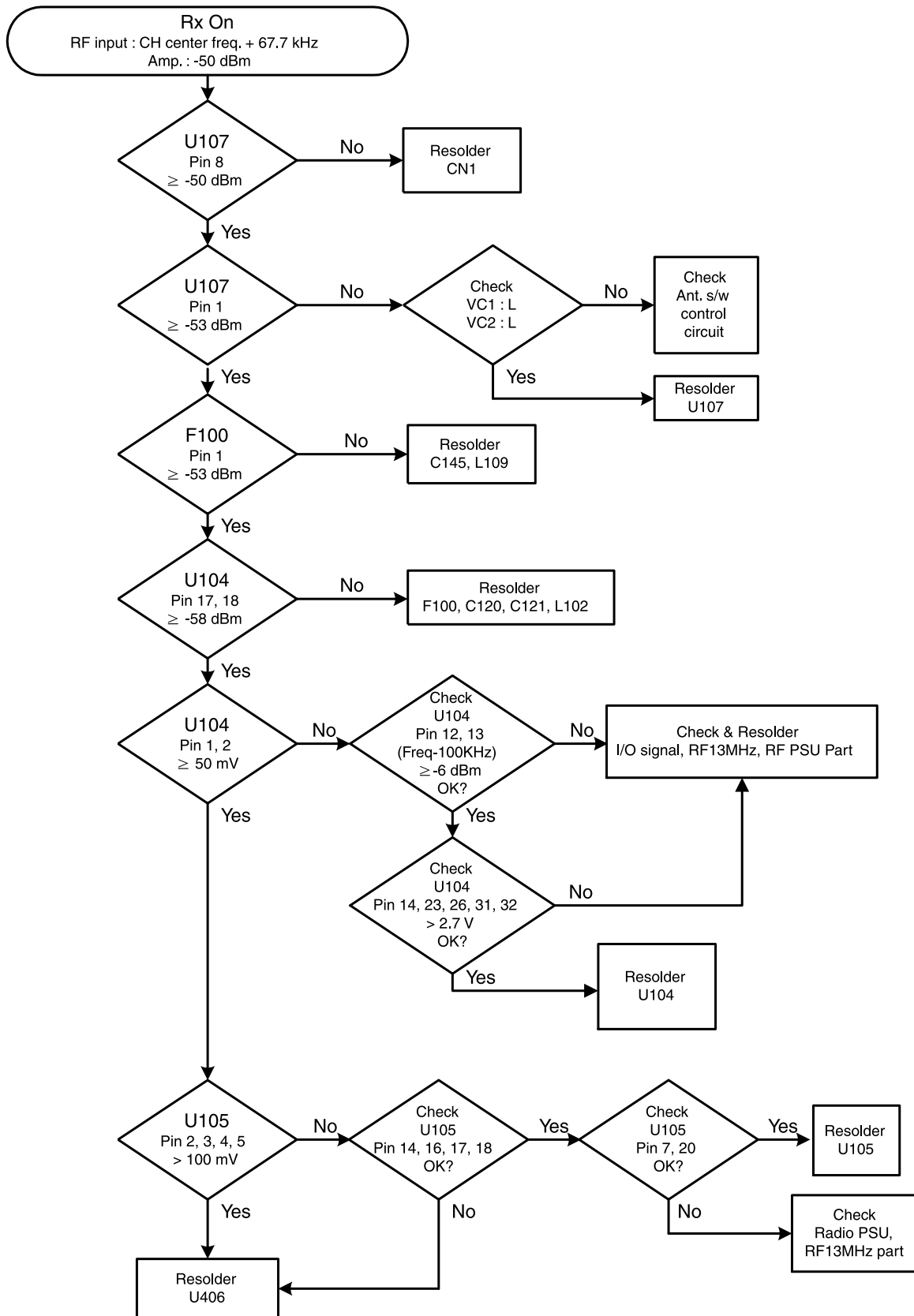
## 5-12 GSM Receiver



## 5-13 GSM Transmitter



## 5-14 DCS Receiver



## 5-15 DCS Transmitter

