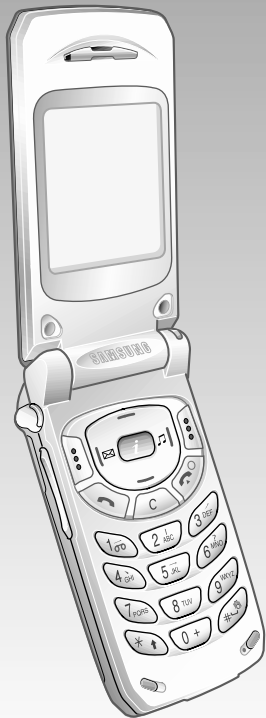




DUAL BAND Mobile Cellular Phone SGH-T408

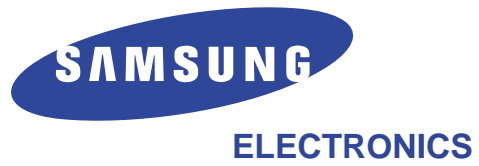
SERVICE Manual

DUAL BAND MOBILE CELLULAR PHONE



CONTENTS

1. Exploded Views and Parts List
2. PCB Diagrams
3. Electrical Parts List
4. Block Diagrams
5. Flow Chart of Troubleshooting and Circuit Diagrams



1. Exploded Views and Parts List

- 1-1 **Main**
- 1-2 **Main Parts List**
- 1-3 **Travel Adapter**
- 1-4 **Travel Adapter Parts List**
- 1-5 **Ciger Light Adapter**
- 1-6 **Ciger Light Adapter Parts List**
- 1-7 **Test Jig**
- 1-8 **EAR Microphone**
- 1-9 **Data Kit**
- 1-10 **Battery Charger**

2. PCB Diagrams

- 2-1 **Main Top**
- 2-2 **Main Bottom**

3. Electrical Parts List

- 3-1 **Main Parts List Top**
- 3-2 **Main Parts List Bottom**

4. Block Diagrams

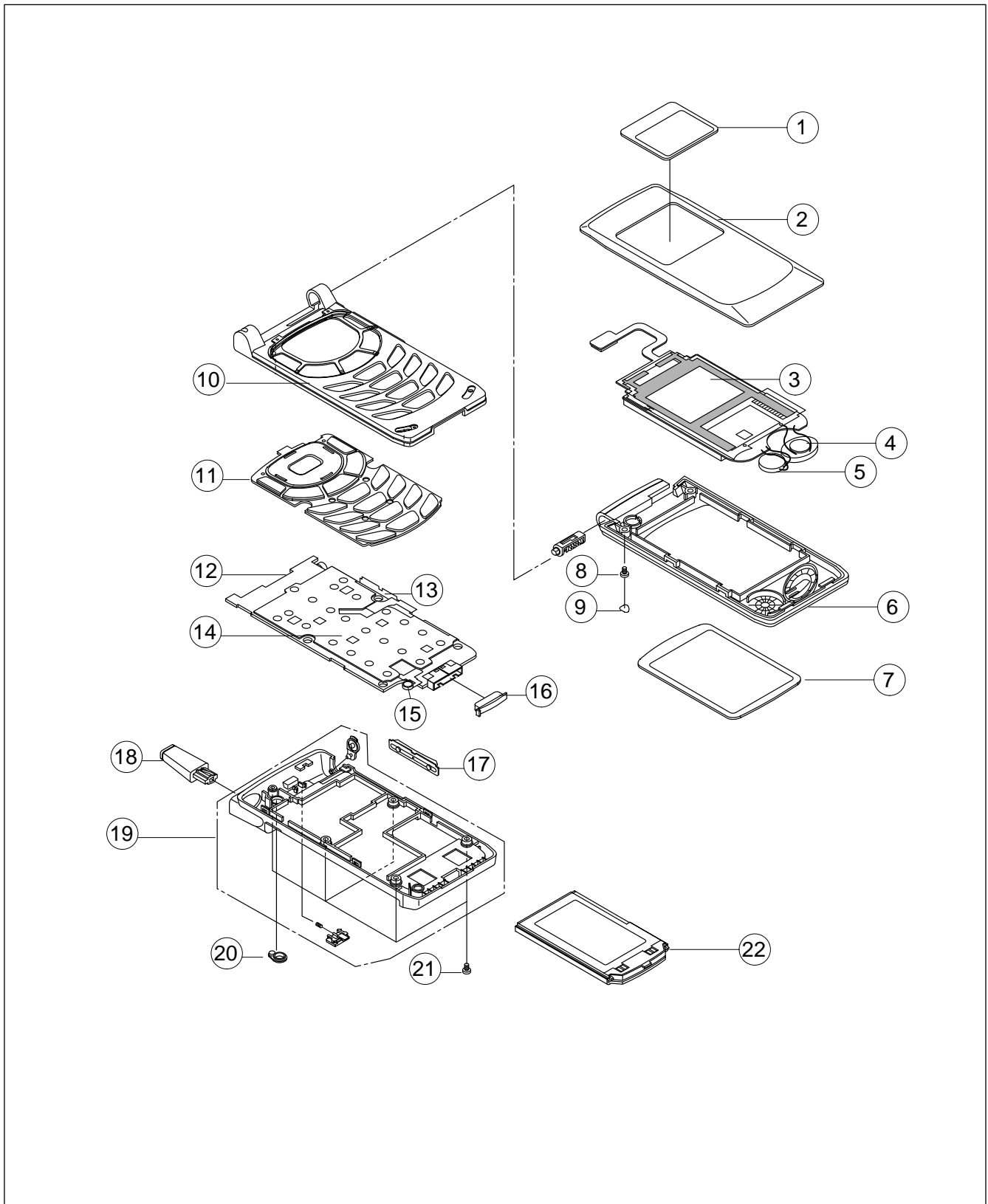
- 4-1 **Main Baseband**
- 4-2 **Main RF**
 - 4-2-1 **RF Transmit Part**
 - 4-2-2 **RF Receive Part**

5. Flow Chart of Troubleshooting and Circuit Diagrams

- 5-1 **Power ON**
- 5-2 **Initial**
- 5-3 **Charging Part**
- 5-4 **Sim Part**
- 5-5 **Microphone Part**
- 5-6 **Speaker Part**
- 5-7 **Key Data Input**
- 5-8 **Alert Tone**
- 5-9 **Ring Indicator**
- 5-10 **Back Light**
- 5-11 **GSM Receiver**
- 5-12 **GSM Transmitter**
- 5-13 **DCS Receiver**
- 5-14 **DCS Transmitter**

1. SGH-T408 Exploded Views and Parts List

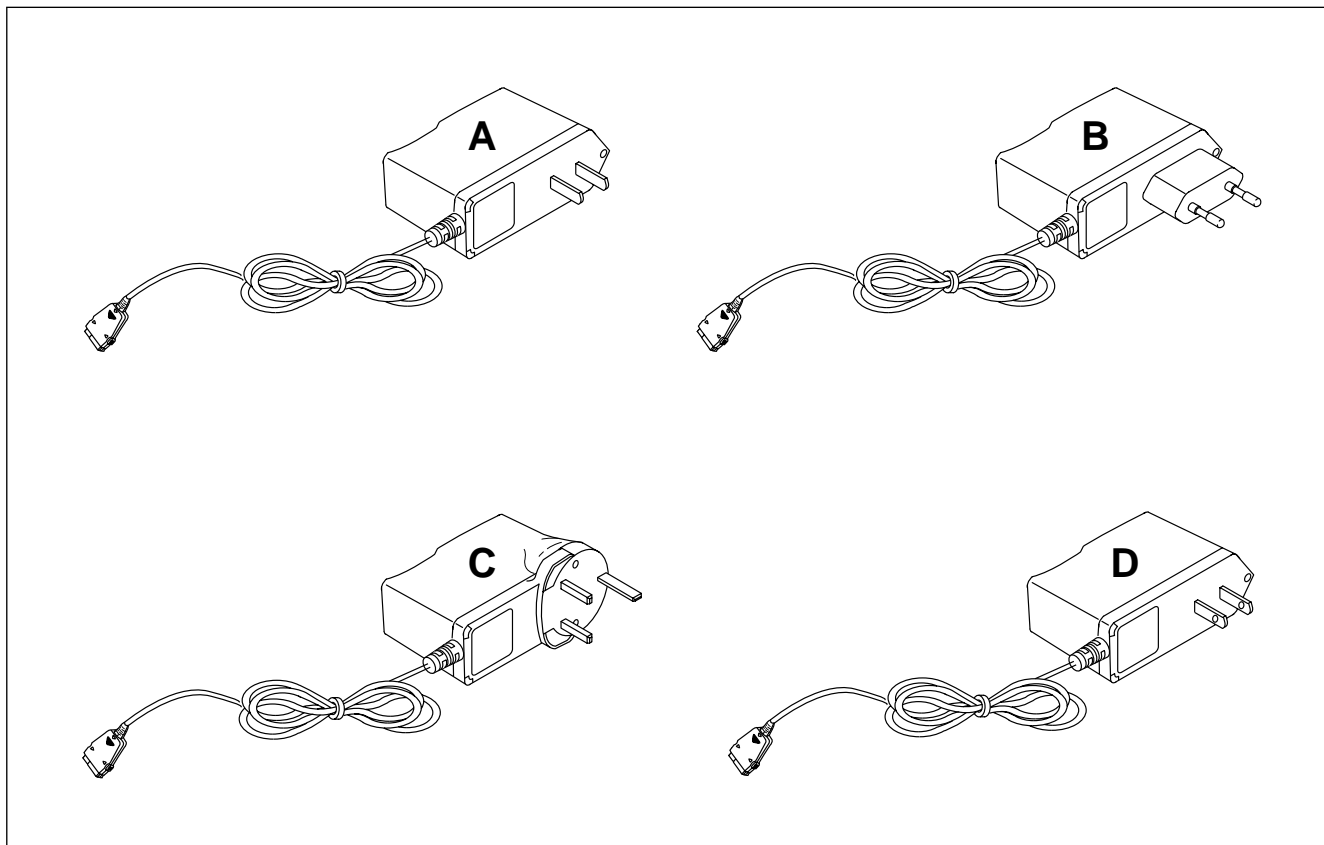
1-1 Main



1-2 Main Parts List

Location No.	Description	SEC CODE	Remark
1	DUAL WINDOW LCD	GH72-05005A	
2	FOLDER UPPER	GH75-02707A	
3	LCD	GH96-01251A	
4	SPEAKER	3001-001360	
5	MOTOR	3101-001294	
6	FOLDER LOWER	GH75-02369A	
7	WINDOW LCD	GH72-05004A	
8	SCREW	6001-001429	
9	SCREW CAP	GH74-03025A	
10	FRONT COVER	GH75-02706A	
11	KEYPAD	GH75-02708A	
12	MAIN PBA	GH92-01419A	
13	VOLKEY F-PCB	GH59-00593A	
14	DOMESHEET	GH59-00598A	
15	MIC	GH59-00611A	
16	CONNECTOR COVER	GH73-01331A	
17	SIDE KEY	GH75-02372A	
18	ANTENNA	GH42-00236A	
19	REAR COVER	GH75-02370A	
20	RF/COVER	GH73-01332A	
21	SCREW	6001-001479	
22	BATTERY	GH43-00662A	

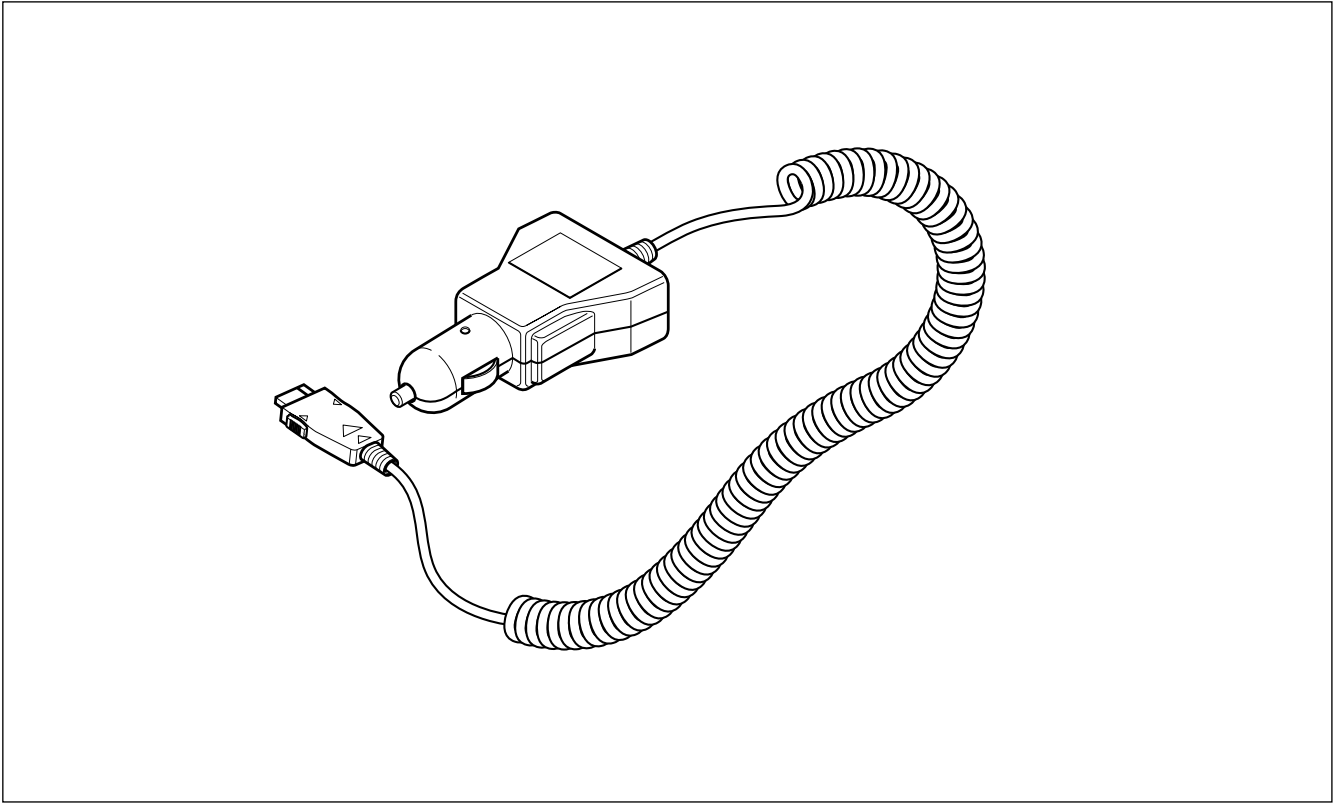
1-3 Travel Adapter



1-4 Travel Adapter Parts List

TYPE	SEC CODE	REMARK
A	GH44-00171A	CHINA
B	GH44-00184A	EUROPE
C	GH44-00171C	UNITED KINGDOM
D	Gh44-00171E	TAIWAN

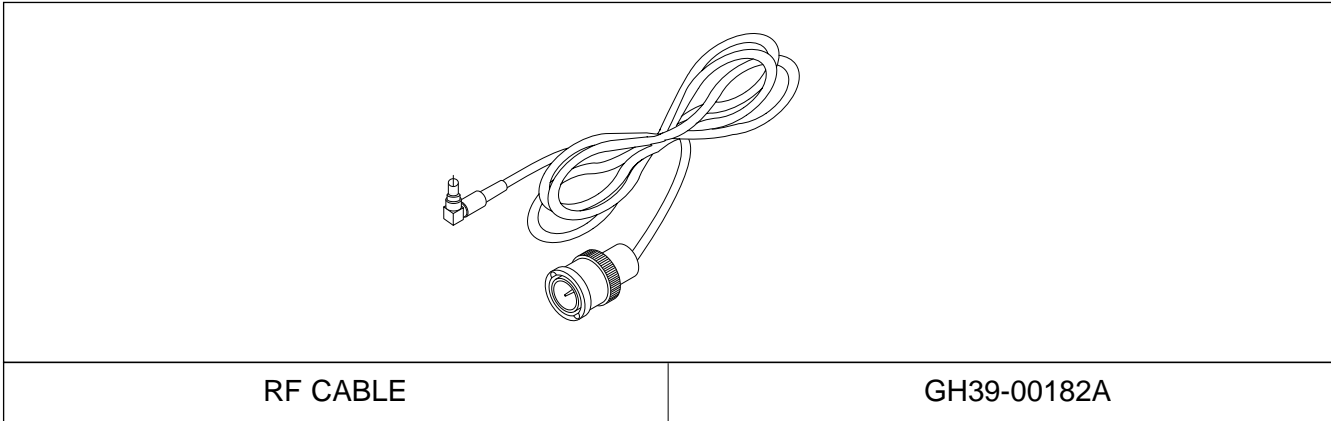
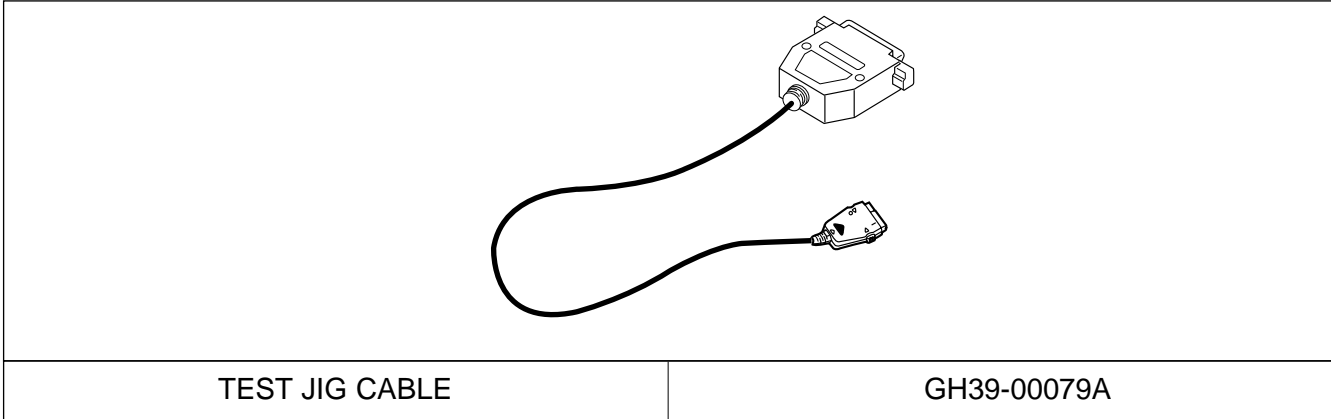
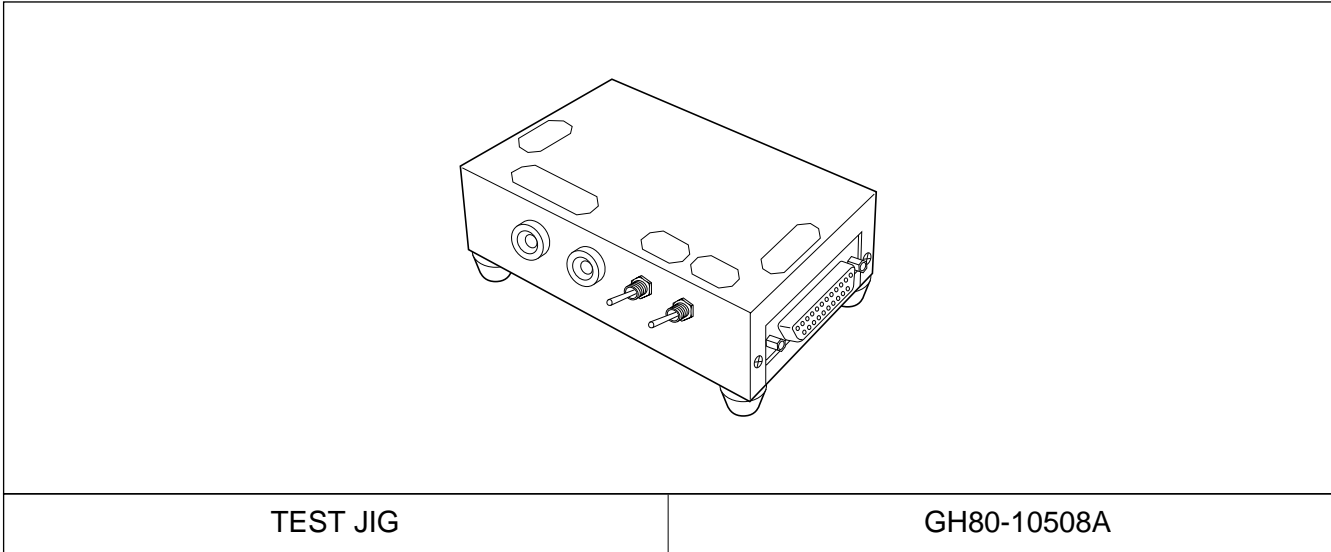
1-5 Ciger Light Adapter



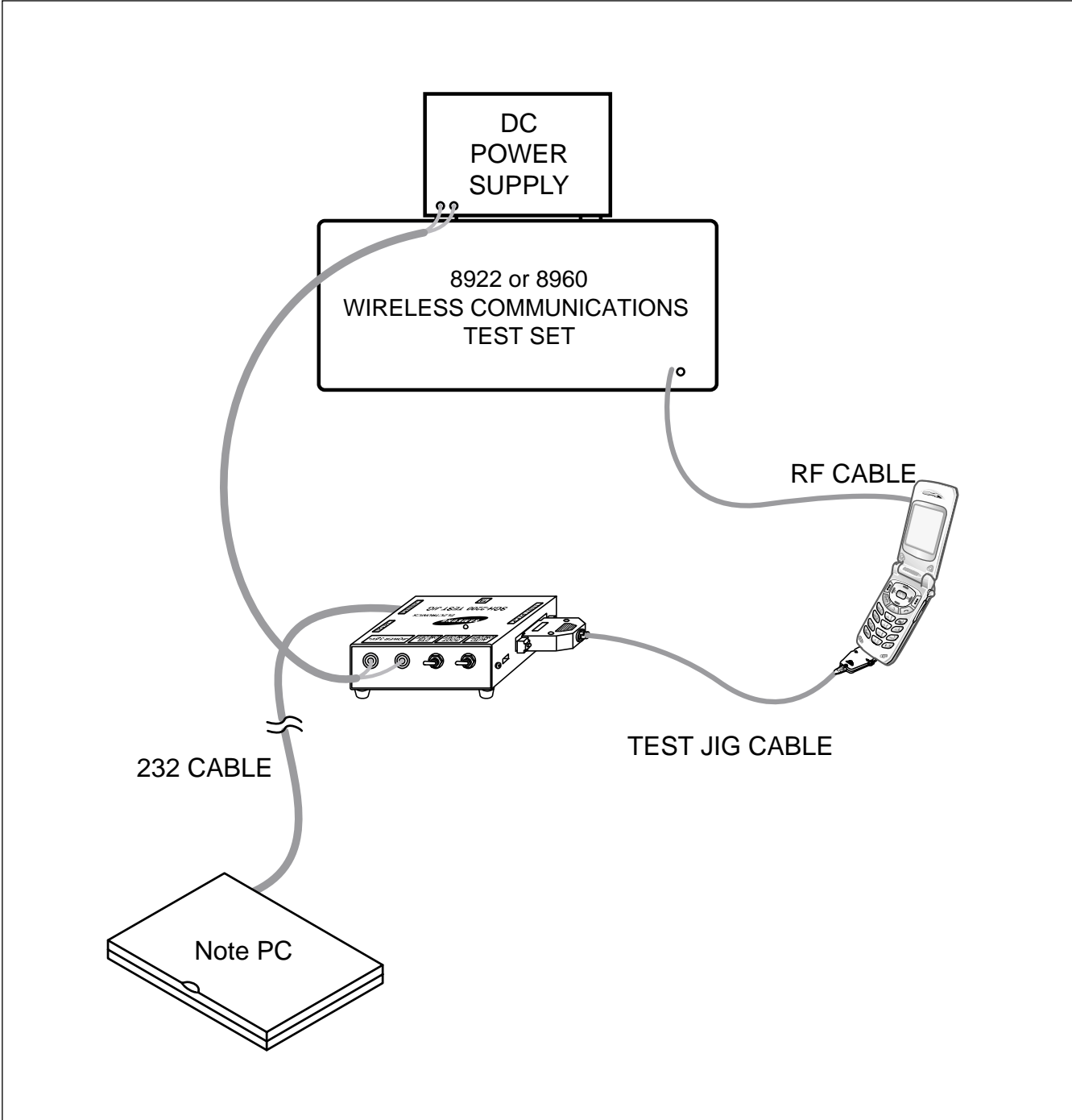
1-6 Ciger Light Adapter Parts List

DESCRIPTION	SEC CODE	REMARK
Ciger Light Adapter Code	GH44-00170A	BLACK

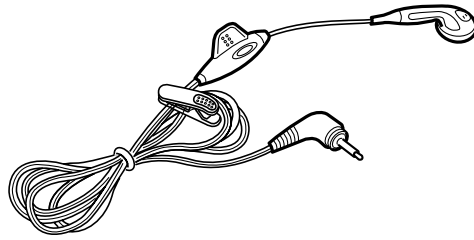
1-7 Test Jig



1-7-1 Test Jig



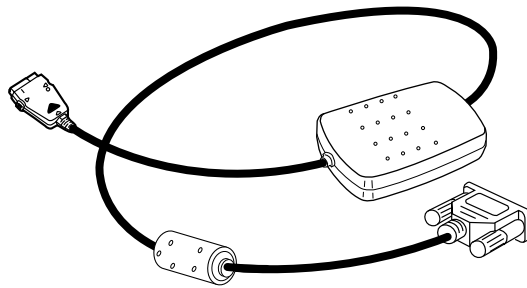
1-8 Wearable EAR Microphone



Wearable EAR Microphone

GH59-00394B

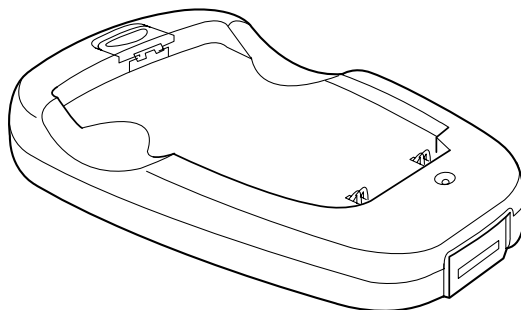
1-9 Data Kit



DATA KIT

GH39-00143B

1-10 Battery Charger

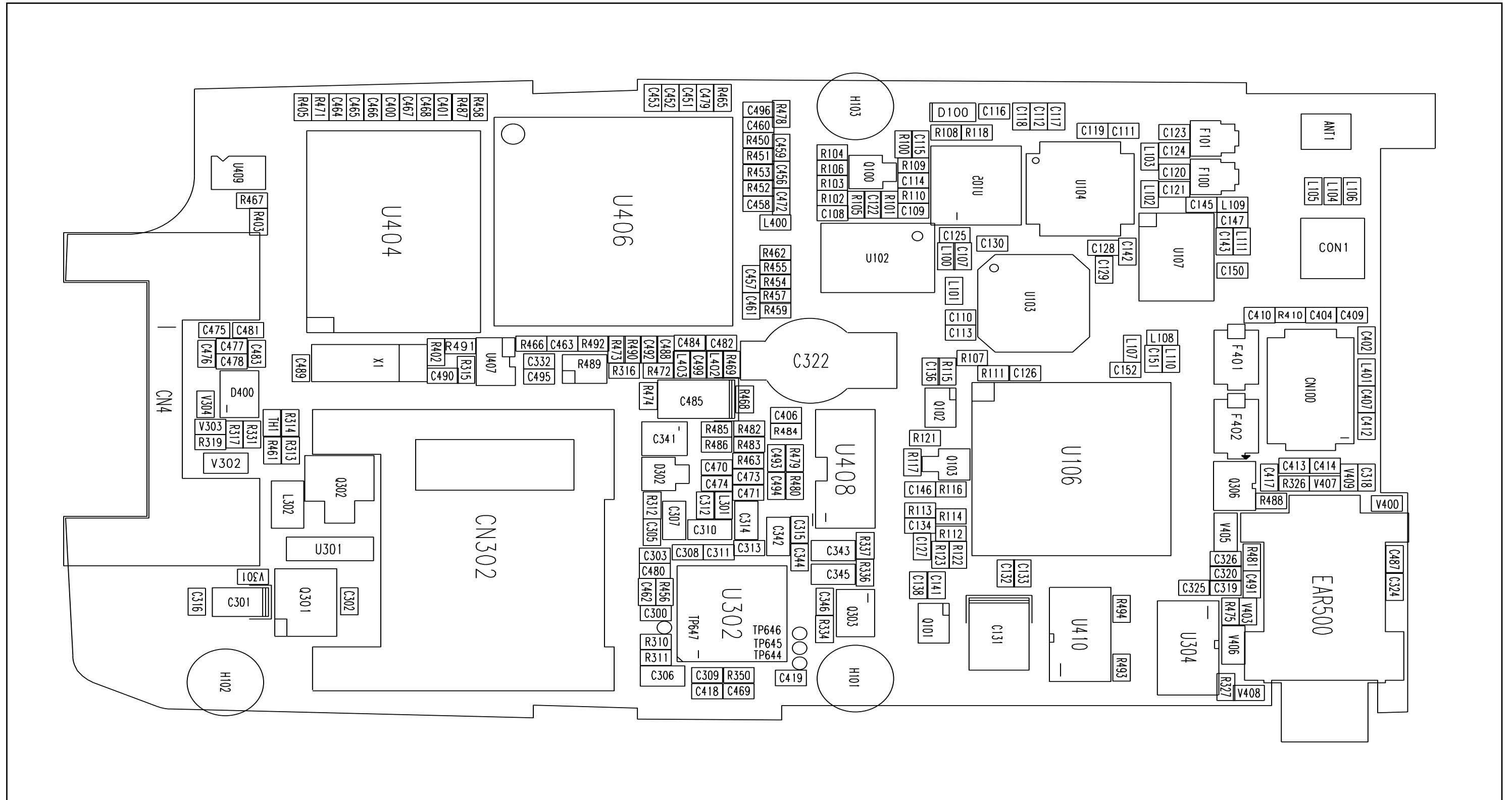


BATTERY CHARGER

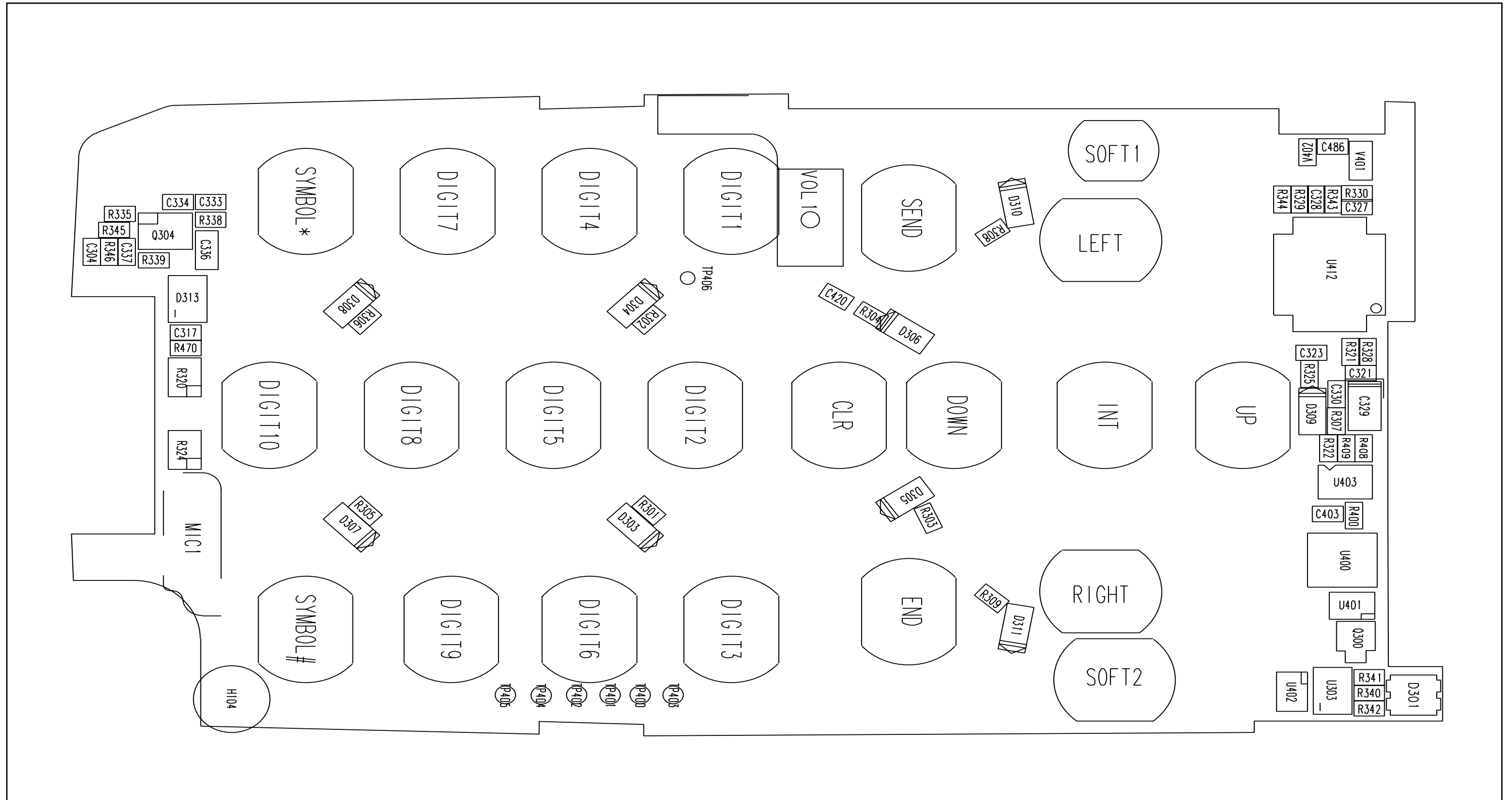
GH44-00402A

2. PCB Diagrams

2-1 Main Top



2-2 Main Bottom



3. Electrical Parts List

3-1 Main Parts List Top

NO	Reference	SEC CODE	Part	Description	Vendor Part No.
1	D302	0407-001002	DIODE-ARRAY	"DAN222,80V,300mA,CA2-3,EM3,TP"	DAN222
2	Q100	0501-000225	TR-SMALL SIGNAL	"2SC4617,NPN,200mW,EM3,TP,120-5"	2SC4617R
3	Q302	0501-002011	TR-SMALL SIGNAL	"2SD2114K,NPN,200mW,SOT-23,TP,8"	2SD2114KT146V
4	Q103	0504-001049	TR-DIGITAL	"DTA114YE,PNP,150MW,10K/47K,EMT3,TP"	DTA114YE
5	Q101	0504-001151	TR-DIGITAL	"PEMD10,NPN/PNP,300MW,2.2K/47KOHM,SOT-666,TP"	PEMD10
6	Q102	0504-001151	TR-DIGITAL	"PEMD10,NPN/PNP,300MW,2.2K/47KOHM,SOT-667,TP"	PEMD10
7	Q301	0505-001165	FET-SILICON	"SI3443DV,P,-20V,+3.5mA,65mohm"	SI3443DV-T1
8	Q306	0505-001332	FET-SILICON	"FDG6301,N,25V,0.22A,4OHM,.3W,SC70-6"	FDG6301N
9	Q303	0506-001004	TR-ARRAY	"UMC5N,NPN/PNP,2.50V,-,-100mA,3"	UMC5NTR
10	U409	0801-002540	IC-CMOS LOGIC	"7SZ19,DECODER,SOP,6P,49MIL,SINGLE,TP,PLASTIC"	NC7SZ19P6X
11	U407	1001-001145	IC-ANALOG SWITCH	"MAX4599EXT,-,SC70,6P,49MIL,SINGLE,5.5V"	MAX4599EXT-T
12	U304	1001-001183	IC-ANALOG SWITCH	"MAX4684EUB,-,TSSOP,10P,114MIL,DUAL"	MAX4684EUB
13	U410	1001-001183	IC-ANALOG SWITCH	"MAX4684EUB,-,TSSOP,10P,114MIL,DUAL"	MAX4684EUB
14	U408	1103-001277	IC-EEPROM	"24C512,65536X8BIT,TSSOP,8P,173MIL"	24C512-10TI-2.7
15	U404	1109-001259	IC-ETC. MEMORY	"LRS1815A,4MX16/2MX16/2MX16BIT,BGA,72P"	LRS1815A
16	U106	1201-001954	IC-POWER AMP	"RF3140,SMD-MODULE,40P,10X10MM"	RF3140
17	U302	1203-002872	IC-DC/DC CONVERTER	"MAX1560ETJ,QFN,32P,5X5MM,PLASTIC,2.45/3V"	MAX1560ETJ
18	U406	1205-002035	IC-COMM. CONTROLLER	"VP40581B,FBGA,180P,-,PLASTIC,3.3V"	VP40581E3
19	U105	1205-002185	IC-INTERFACE	"SI4201-BM,MLP,20P,4X4MM,-,3V,-,-20TO+85C"	SI4201-BM
20	U104	1205-002248	IC-TRANSCEIVER	"SI4200DB-BM,MLP,32P,5X5MM,-,3V,-,-20TO+85C"	SI4200DB-BM
21	U103	1209-001434	IC-PLL/SYNTHESISER	"SI4133T-BM,MLP,28P,5X5MM,-,3V,-,-20TO+85C"	SI4133T-BM
22	TH1	1404-001256	THERMISTOR-NTC	"47KOHM,-,4500K,-,-,TP"	B57231-V2473-K60
23	V302	1405-001018	VARISTOR	"14V,-,1.6x0.8mm,TP"	AVL 14K 03 300
24	V405	1405-001019	VARISTOR	"5.6V,-,1.6x0.8mm,TP"	AVL 5M 03 300
25	V406	1405-001019	VARISTOR	"5.6V,-,1.6x0.8mm,TP"	AVL 5M 03 300
26	V301	1405-001082	VARISTOR	"5.6V,20A,1x0.5x0.6mm,TP"	VC040205X150R
27	V303	1405-001082	VARISTOR	"5.6V,20A,1x0.5x0.6mm,TP"	VC040205X150R
28	V304	1405-001082	VARISTOR	"5.6V,20A,1x0.5x0.6mm,TP"	VC040205X150R
29	V400	1405-001082	VARISTOR	"5.6V,20A,1x0.5x0.6mm,TP"	VC040205X150R
30	V403	1405-001082	VARISTOR	"5.6V,20A,1x0.5x0.6mm,TP"	VC040205X150R
31	V409	1405-001082	VARISTOR	"5.6V,20A,1x0.5x0.6mm,TP"	VC040205X150R
32	C410	1405-001082	VARISTOR	"5.6V,20A,1x0.5x0.6mm,TP"	VC040205X150R
33	V407	1405-001093	VARISTOR	"14V,20A,1x0.5x0.6mm,TP"	AVL 14K 02 200
34	V408	1405-001093	VARISTOR	"14V,20A,1x0.5x0.6mm,TP"	AVL 14K 02 200
35	C418	1405-001128	VARISTOR	"18VDC,15A,1X0.5X0.6MM,TP"	VC04LC18V500WP
36	C419	1405-001128	VARISTOR	"18VDC,15A,1X0.5X0.6MM,TP"	VC04LC18V500WP
37	C420	1405-001128	VARISTOR	"18VDC,15A,1X0.5X0.6MM,TP"	VC04LC18V500WP
38	R105	2007-000138	R-CHIP	"100ohm,5%,1/16W,DA,TP,1005"	RC1005J101CS
39	R315	2007-000138	R-CHIP	"100ohm,5%,1/16W,DA,TP,1005"	RC1005J101CS

NO	Reference	SEC CODE	Part	Description	Vendor Part No.
40	R316	2007-000138	R-CHIP	"100ohm,5%,1/16W,DA,TP,1005"	RC1005J101CS
41	R317	2007-000138	R-CHIP	"100ohm,5%,1/16W,DA,TP,1005"	RC1005J101CS
42	R468	2007-000139	R-CHIP	"220ohm,5%,1/16W,DA,TP,1005"	RC1005J221CS
43	R474	2007-000139	R-CHIP	"220ohm,5%,1/16W,DA,TP,1005"	RC1005J221CS
44	R106	2007-000140	R-CHIP	"1Kohm,5%,1/16W,DA,TP,1005"	RC1005J102CS
45	R313	2007-000140	R-CHIP	"1Kohm,5%,1/16W,DA,TP,1005"	RC1005J102CS
46	R102	2007-000141	R-CHIP	"2.2Kohm,5%,1/16W,DA,TP,1005"	RC1005J222CS
47	R479	2007-000141	R-CHIP	"2.2Kohm,5%,1/16W,DA,TP,1005"	RC1005J223CS
48	R480	2007-000141	R-CHIP	"2.2Kohm,5%,1/16W,DA,TP,1005"	RC1005J224CS
49	R101	2007-000148	R-CHIP	"10Kohm,5%,1/16W,DA,TP,1005"	RC1005J103CS
50	R115	2007-000148	R-CHIP	"10Kohm,5%,1/16W,DA,TP,1005"	RC1005J103CS
51	R117	2007-000148	R-CHIP	"10Kohm,5%,1/16W,DA,TP,1005"	RC1005J103CS
52	R121	2007-000148	R-CHIP	"10Kohm,5%,1/16W,DA,TP,1005"	RC1005J103CS
53	R337	2007-000148	R-CHIP	"10Kohm,5%,1/16W,DA,TP,1005"	RC1005J103CS
54	R456	2007-000148	R-CHIP	"10Kohm,5%,1/16W,DA,TP,1005"	RC1005J103CS
55	R462	2007-000148	R-CHIP	"10Kohm,5%,1/16W,DA,TP,1005"	RC1005J103CS
56	R463	2007-000148	R-CHIP	"10Kohm,5%,1/16W,DA,TP,1005"	RC1005J103CS
57	465	2007-000148	R-CHIP	"10Kohm,5%,1/16W,DA,TP,1005"	RC1005J103CS
58	R108	2007-000152	R-CHIP	"20Kohm,5%,1/16W,DA,TP,1005"	RC1005J203CS
59	R113	2007-000153	R-CHIP	"22Kohm,5%,1/16W,DA,TP,1005"	RC1005J223CS
60	R114	2007-000153	R-CHIP	"22Kohm,5%,1/16W,DA,TP,1005"	RC1005J224CS
61	R104	2007-000155	R-CHIP	"27Kohm,5%,1/16W,DA,TP,1005"	RC1005J273CS
62	R473	2007-000157	R-CHIP	"47Kohm,5%,1/16W,DA,TP,1005"	RC1005J473CS
63	R331	2007-000159	R-CHIP	"56Kohm,5%,1/16W,DA,TP,1005"	RC1005J473CS
64	R116	2007-000162	R-CHIP	"100Kohm,5%,1/16W,DA,TP,1005"	RC1005J104CS
65	R310	2007-000162	R-CHIP	"100Kohm,5%,1/16W,DA,TP,1005"	RC1005J105CS
66	R314	2007-000162	R-CHIP	"100Kohm,5%,1/16W,DA,TP,1005"	RC1005J106CS
67	R334	2007-000162	R-CHIP	"100Kohm,5%,1/16W,DA,TP,1005"	RC1005J107CS
68	R336	2007-000162	R-CHIP	"100Kohm,5%,1/16W,DA,TP,1005"	RC1005J108CS
69	R403	2007-000162	R-CHIP	"100Kohm,5%,1/16W,DA,TP,1005"	RC1005J109CS
70	R405	2007-000162	R-CHIP	"100Kohm,5%,1/16W,DA,TP,1005"	RC1005J110CS
71	R458	2007-000162	R-CHIP	"100Kohm,5%,1/16W,DA,TP,1005"	RC1005J111CS
72	R466	2007-000162	R-CHIP	"100Kohm,5%,1/16W,DA,TP,1005"	RC1005J112CS
73	R467	2007-000162	R-CHIP	"100Kohm,5%,1/16W,DA,TP,1005"	RC1005J113CS
74	R483	2007-000162	R-CHIP	"100Kohm,5%,1/16W,DA,TP,1005"	RC1005J114CS
75	R484	2007-000162	R-CHIP	"100Kohm,5%,1/16W,DA,TP,1005"	RC1005J115CS
76	R485	2007-000162	R-CHIP	"100Kohm,5%,1/16W,DA,TP,1005"	RC1005J116CS
77	R487	2007-000162	R-CHIP	"100Kohm,5%,1/16W,DA,TP,1005"	RC1005J117CS
78	R488	2007-000162	R-CHIP	"100Kohm,5%,1/16W,DA,TP,1005"	RC1005J118CS
79	R492	2007-000162	R-CHIP	"100Kohm,5%,1/16W,DA,TP,1005"	RC1005J119CS
80	R478	2007-000162	R-CHIP	"100Kohm,5%,1/16W,DA,TP,1005"	RC1005J120CS
81	R461	2007-000162	R-CHIP	"100Kohm,5%,1/16W,DA,TP,1005"	RC1005J121CS
82	R471	2007-000168	R-CHIP	"470Kohm,5%,1/16W,DA,TP,1005"	RC1005J474CS

NO	Reference	SEC CODE	Part	Description	Vendor Part No.
83	R100	2007-001244	R-CHIP	"91Kohm,5%,1/16W,DA,TP,1005"	RC1005J913CS
84	R107	2007-001298	R-CHIP	"51ohm,5%,1/16W,DA,TP,1005"	RC1005J510CS
85	R109	2007-001298	R-CHIP	"51ohm,5%,1/16W,DA,TP,1005"	RC1005J510CS
86	R110	2007-001298	R-CHIP	"51ohm,5%,1/16W,DA,TP,1005"	RC1005J510CS
87	R469	2007-002796	R-CHIP	"510ohm,5%,1/16W,DA,TP,1005"	ERJ2GEJ511X
88	R472	2007-002796	R-CHIP	"510ohm,5%,1/16W,DA,TP,1005"	ERJ2GEJ511X
89	R103	2007-002797	R-CHIP	"560ohm,5%,1/16W,DA,TP,1005"	ERJ2GEJ561X
90	R326	2007-003001	R-CHIP	"12OHM,5%,1/16W,DA,TP,1005"	RC1005J120CS
91	R327	2007-003001	R-CHIP	"12OHM,5%,1/16W,DA,TP,1005"	RC1005J120CS
92	R450	2007-007317	R-CHIP	"2.2Kohm,1%,1/16W,DA,TP,1005"	ERJ2RKF2201X
93	R451	2007-007317	R-CHIP	"2.2Kohm,1%,1/16W,DA,TP,1005"	ERJ2RKF2201X
94	R452	2007-007317	R-CHIP	"2.2Kohm,1%,1/16W,DA,TP,1005"	ERJ2RKF2201X
95	R453	2007-007317	R-CHIP	"2.2Kohm,1%,1/16W,DA,TP,1005"	ERJ2RKF2201X
96	R454	2007-007318	R-CHIP	"1Kohm,1%,1/16W,DA,TP,1005"	ERJ2RKF1001X
97	R455	2007-007318	R-CHIP	"1Kohm,1%,1/16W,DA,TP,1005"	ERJ2RKF1001X
98	R457	2007-007318	R-CHIP	"1Kohm,1%,1/16W,DA,TP,1005"	ERJ2RKF1001X
99	R459	2007-007318	R-CHIP	"1Kohm,1%,1/16W,DA,TP,1005"	ERJ2RKF1001X
100	R111	2007-007771	R-CHIP	"0OHM,5%,1/16W,DA,TP,1005"	RC1005J000CS
101	R112	2007-007771	R-CHIP	"0OHM,5%,1/16W,DA,TP,1005"	RC1005J000CS
102	R118	2007-007771	R-CHIP	"0OHM,5%,1/16W,DA,TP,1005"	RC1005J000CS
103	R311	2007-007771	R-CHIP	"0OHM,5%,1/16W,DA,TP,1005"	RC1005J000CS
104	R312	2007-007771	R-CHIP	"0OHM,5%,1/16W,DA,TP,1005"	RC1005J000CS
105	R319	2007-007771	R-CHIP	"0OHM,5%,1/16W,DA,TP,1005"	RC1005J000CS
106	R350	2007-007771	R-CHIP	"0OHM,5%,1/16W,DA,TP,1005"	RC1005J000CS
107	R402	2007-007771	R-CHIP	"0OHM,5%,1/16W,DA,TP,1005"	RC1005J000CS
108	R410	2007-007771	R-CHIP	"0OHM,5%,1/16W,DA,TP,1005"	RC1005J000CS
109	R475	2007-007771	R-CHIP	"0OHM,5%,1/16W,DA,TP,1005"	RC1005J000CS
110	R481	2007-007771	R-CHIP	"0OHM,5%,1/16W,DA,TP,1005"	RC1005J000CS
111	R490	2007-007771	R-CHIP	"0OHM,5%,1/16W,DA,TP,1005"	RC1005J000CS
112	R491	2007-007771	R-CHIP	"0OHM,5%,1/16W,DA,TP,1005"	RC1005J000CS
113	R493	2007-007771	R-CHIP	"0OHM,5%,1/16W,DA,TP,1005"	RC1005J000CS
114	R494	2007-007771	R-CHIP	"0OHM,5%,1/16W,DA,TP,1005"	RC1005J000CS
115	R489	2011-001345	R-NETWORK	"10Kohm,5%,1/16W,L,CHIP,8P,TP"	EXB28V103JX
116	C404	2203-000138	"C-CERAMIC,CHIP"	"1.5nF,10%,50V,X7R,TP,1005,-"	CL05B152KBNC
117	C113	2203-000233	"C-CERAMIC,CHIP"	"0.1NF,5%,50V,C0G,TP,1005"	CL05C101JBNC
118	C114	2203-000233	"C-CERAMIC,CHIP"	"0.1NF,5%,50V,C0G,TP,1005"	CL05C101JBNC
119	C115	2203-000233	"C-CERAMIC,CHIP"	"0.1NF,5%,50V,C0G,TP,1005"	CL05C101JBNC
120	C116	2203-000233	"C-CERAMIC,CHIP"	"0.1NF,5%,50V,C0G,TP,1005"	CL05C101JBNC
121	C117	2203-000233	"C-CERAMIC,CHIP"	"0.1NF,5%,50V,C0G,TP,1005"	CL05C101JBNC
122	C122	2203-000233	"C-CERAMIC,CHIP"	"0.1NF,5%,50V,C0G,TP,1005"	CL05C101JBNC
123	C132	2203-000233	"C-CERAMIC,CHIP"	"0.1NF,5%,50V,C0G,TP,1005"	CL05C101JBNC
124	C134	2203-000233	"C-CERAMIC,CHIP"	"0.1NF,5%,50V,C0G,TP,1005"	CL05C101JBNC
125	C456	2203-000233	"C-CERAMIC,CHIP"	"0.1NF,5%,50V,C0G,TP,1005"	CL05C101JBNC

NO	Reference	SEC CODE	Part	Description	Vendor Part No.
126	C458	2203-000233	"C-CERAMIC,CHIP"	"0.1NF,5%,50V,C0G,TP,1005"	CL05C101JBNC
127	C459	2203-000233	"C-CERAMIC,CHIP"	"0.1NF,5%,50V,C0G,TP,1005"	CL05C101JBNC
128	C460	2203-000233	"C-CERAMIC,CHIP"	"0.1NF,5%,50V,C0G,TP,1005"	CL05C101JBNC
129	C107	2203-000254	"C-CERAMIC,CHIP"	"10nF,10%,16V,X7R,TP,1005,-"	CL05B103KONC
130	C108	2203-000254	"C-CERAMIC,CHIP"	"10nF,10%,16V,X7R,TP,1005,-"	CL05B103KONC
131	C109	2203-000254	"C-CERAMIC,CHIP"	"10nF,10%,16V,X7R,TP,1005,-"	CL05B103KONC
132	C308	2203-000254	"C-CERAMIC,CHIP"	"10nF,10%,16V,X7R,TP,1005,-"	CL05B103KONC
133	C309	2203-000254	"C-CERAMIC,CHIP"	"10nF,10%,16V,X7R,TP,1005,-"	CL05B103KONC
134	C311	2203-000254	"C-CERAMIC,CHIP"	"10nF,10%,16V,X7R,TP,1005,-"	CL05B103KONC
135	C313	2203-000254	"C-CERAMIC,CHIP"	"10nF,10%,16V,X7R,TP,1005,-"	CL05B103KONC
136	C315	2203-000254	"C-CERAMIC,CHIP"	"10nF,10%,16V,X7R,TP,1005,-"	CL05B103KONC
137	C318	2203-000254	"C-CERAMIC,CHIP"	"10nF,10%,16V,X7R,TP,1005,-"	CL05B103KONC
138	C337	2203-000254	"C-CERAMIC,CHIP"	"10nF,10%,16V,X7R,TP,1005,-"	CL05B103KONC
139	C346	2203-000254	"C-CERAMIC,CHIP"	"10nF,10%,16V,X7R,TP,1005,-"	CL05B103KONC
140	C401	2203-000254	"C-CERAMIC,CHIP"	"10nF,10%,16V,X7R,TP,1005,-"	CL05B103KONC
141	C453	2203-000254	"C-CERAMIC,CHIP"	"10nF,10%,16V,X7R,TP,1005,-"	CL05B103KONC
142	C462	2203-000254	"C-CERAMIC,CHIP"	"10nF,10%,16V,X7R,TP,1005,-"	CL05B103KONC
143	C463	2203-000254	"C-CERAMIC,CHIP"	"10nF,10%,16V,X7R,TP,1005,-"	CL05B103KONC
144	C464	2203-000254	"C-CERAMIC,CHIP"	"10nF,10%,16V,X7R,TP,1005,-"	CL05B103KONC
145	C465	2203-000254	"C-CERAMIC,CHIP"	"10nF,10%,16V,X7R,TP,1005,-"	CL05B103KONC
146	C470	2203-000254	"C-CERAMIC,CHIP"	"10nF,10%,16V,X7R,TP,1005,-"	CL05B103KONC
147	C471	2203-000254	"C-CERAMIC,CHIP"	"10nF,10%,16V,X7R,TP,1005,-"	CL05B103KONC
148	C473	2203-000254	"C-CERAMIC,CHIP"	"10nF,10%,16V,X7R,TP,1005,-"	CL05B103KONC
149	C143	2203-000278	"C-CERAMIC,CHIP"	"0.01NF,0.5PF,50V,C0G,TP,1005"	GRP1555C1H100D
150	C151	2203-000386	"C-CERAMIC,CHIP"	"0.015NF,5%,50V,C0G,TP,1005"	CL05C150JBNC
151	C477	2203-000386	"C-CERAMIC,CHIP"	"0.015NF,5%,50V,C0G,TP,1005"	CL05C150JBNC
152	C489	2203-000386	"C-CERAMIC,CHIP"	"0.015NF,5%,50V,C0G,TP,1005"	CL05C150JBNC
153	C490	2203-000386	"C-CERAMIC,CHIP"	"0.015NF,5%,50V,C0G,TP,1005"	CL05C150JBNC
154	C138	2203-000438	"C-CERAMIC,CHIP"	"1nF,10%,50V,X7R,TP,1005,-"	CL05B102KBNC
155	C136	2203-000679	"C-CERAMIC,CHIP"	"0.027NF,5%,50V,C0G,TP,1005"	CL05C270JBNC
156	C141	2203-000679	"C-CERAMIC,CHIP"	"0.027NF,5%,50V,C0G,TP,1005"	CL05C270JBNC
157	C142	2203-000679	"C-CERAMIC,CHIP"	"0.027NF,5%,50V,C0G,TP,1005"	CL05C270JBNC
158	C146	2203-000679	"C-CERAMIC,CHIP"	"0.027NF,5%,50V,C0G,TP,1005"	CL05C270JBNC
159	C147	2203-000679	"C-CERAMIC,CHIP"	"0.027NF,5%,50V,C0G,TP,1005"	CL05C270JBNC
160	C305	2203-000679	"C-CERAMIC,CHIP"	"0.027NF,5%,50V,C0G,TP,1005"	CL05C270JBNC
161	C320	2203-000679	"C-CERAMIC,CHIP"	"0.027NF,5%,50V,C0G,TP,1005"	CL05C270JBNC
162	C325	2203-000679	"C-CERAMIC,CHIP"	"0.027NF,5%,50V,C0G,TP,1005"	CL05C270JBNC
163	C326	2203-000679	"C-CERAMIC,CHIP"	"0.027NF,5%,50V,C0G,TP,1005"	CL05C270JBNC
164	C406	2203-000679	"C-CERAMIC,CHIP"	"0.027NF,5%,50V,C0G,TP,1005"	CL05C270JBNC
165	C407	2203-000679	"C-CERAMIC,CHIP"	"0.027NF,5%,50V,C0G,TP,1005"	CL05C270JBNC
166	C409	2203-000679	"C-CERAMIC,CHIP"	"0.027NF,5%,50V,C0G,TP,1005"	CL05C270JBNC
167	C412	2203-000679	"C-CERAMIC,CHIP"	"0.027NF,5%,50V,C0G,TP,1005"	CL05C270JBNC
168	C413	2203-000679	"C-CERAMIC,CHIP"	"0.027NF,5%,50V,C0G,TP,1005"	CL05C270JBNC

NO	Reference	SEC CODE	Part	Description	Vendor Part No.
169	C414	2203-000679	"C-CERAMIC,CHIP"	"0.027NF,5%,50V,C0G,TP,1005"	CL05C270JBNC
170	C417	2203-000679	"C-CERAMIC,CHIP"	"0.027NF,5%,50V,C0G,TP,1005"	CL05C270JBNC
171	C479	2203-000679	"C-CERAMIC,CHIP"	"0.027NF,5%,50V,C0G,TP,1005"	CL05C270JBNC
172	C480	2203-000679	"C-CERAMIC,CHIP"	"0.027NF,5%,50V,C0G,TP,1005"	CL05C270JBNC
173	C496	2203-000679	"C-CERAMIC,CHIP"	"0.027NF,5%,50V,C0G,TP,1005"	CL05C270JBNC
174	C126	2203-000812	"C-CERAMIC,CHIP"	"0.033NF,5%,50V,C0G,TP,1005"	GRP1555C1H330J
175	C127	2203-000812	"C-CERAMIC,CHIP"	"0.033NF,5%,50V,C0G,TP,1005"	GRP1555C1H330J
176	C133	2203-000812	"C-CERAMIC,CHIP"	"0.033NF,5%,50V,C0G,TP,1005"	GRP1555C1H330J
177	C150	2203-000812	"C-CERAMIC,CHIP"	"0.033NF,5%,50V,C0G,TP,1005"	GRP1555C1H330J
178	C451	2203-000812	"C-CERAMIC,CHIP"	"0.033NF,5%,50V,C0G,TP,1005"	GRP1555C1H330J
179	C452	2203-000812	"C-CERAMIC,CHIP"	"0.033NF,5%,50V,C0G,TP,1005"	GRP1555C1H330J
180	C466	2203-000812	"C-CERAMIC,CHIP"	"0.033NF,5%,50V,C0G,TP,1005"	GRP1555C1H330J
181	C467	2203-000812	"C-CERAMIC,CHIP"	"0.033NF,5%,50V,C0G,TP,1005"	GRP1555C1H330J
182	C468	2203-000812	"C-CERAMIC,CHIP"	"0.033NF,5%,50V,C0G,TP,1005"	GRP1555C1H330J
183	C469	2203-000812	"C-CERAMIC,CHIP"	"0.033NF,5%,50V,C0G,TP,1005"	GRP1555C1H330J
184	C495	2203-000812	"C-CERAMIC,CHIP"	"0.033NF,5%,50V,C0G,TP,1005"	GRP1555C1H330J
185	C319	2203-000870	"C-CERAMIC,CHIP"	"0.003NF,0.25PF,50V,C0G,TP,1005"	GRP1555C1H3R0C
186	C493	2203-001259	"C-CERAMIC,CHIP"	"0.008nF,0.5pF,50V,NP0,TP,1005"	GRP1555C1H8R0DZ01E
187	C494	2203-001259	"C-CERAMIC,CHIP"	"0.008nF,0.5pF,50V,NP0,TP,1005"	GRP1555C1H8R0DZ01E
188	C499	2203-001259	"C-CERAMIC,CHIP"	"0.008nF,0.5pF,50V,NP0,TP,1005"	GRP1555C1H8R0DZ01E
189	C152	2203-001383	"C-CERAMIC,CHIP"	"0.0005nF,0.25pF,50V,NP0,TP,1005"	CL05C0R5CBNC
190	C110	2203-001405	"C-CERAMIC,CHIP"	"22nF,+80-20%,25V,Y5V,TP,1005"	CL05C0R5CBNC
191	C111	2203-001405	"C-CERAMIC,CHIP"	"22nF,+80-20%,25V,Y5V,TP,1005"	CL05C0R5CBNC
192	C112	2203-001405	"C-CERAMIC,CHIP"	"22nF,+80-20%,25V,Y5V,TP,1005"	CL05C0R5CBNC
193	C118	2203-001405	"C-CERAMIC,CHIP"	"22nF,+80-20%,25V,Y5V,TP,1005"	CL05C0R5CBNC
194	C119	2203-001405	"C-CERAMIC,CHIP"	"22nF,+80-20%,25V,Y5V,TP,1005"	CL05C0R5CBNC
195	C125	2203-001405	"C-CERAMIC,CHIP"	"22nF,+80-20%,25V,Y5V,TP,1005"	CL05C0R5CBNC
196	C128	2203-001405	"C-CERAMIC,CHIP"	"22nF,+80-20%,25V,Y5V,TP,1005"	CL05C0R5CBNC
197	C129	2203-001405	"C-CERAMIC,CHIP"	"22nF,+80-20%,25V,Y5V,TP,1005"	CL05C0R5CBNC
198	C130	2203-001405	"C-CERAMIC,CHIP"	"22nF,+80-20%,25V,Y5V,TP,1005"	CL05C0R5CBNC
199	C312	2203-003054	"C-CERAMIC,CHIP"	"0.009nF,0.25pF,50V,NP0,TP,1005"	CL05C090CBNC
200	C474	2203-003054	"C-CERAMIC,CHIP"	"0.009nF,0.25pF,50V,NP0,TP,1005"	CL05C090CBNC
201	C123	2203-005050	"C-CERAMIC,CHIP"	"0.0018nF,0.25pF,50V,NP0,TP,1005"	CL05C1R8CBNC
202	C124	2203-005050	"C-CERAMIC,CHIP"	"0.0018nF,0.25pF,50V,NP0,TP,1005"	CL05C1R8CBNC
203	C316	2203-005061	"C-CERAMIC,CHIP"	"100nF,+80-20%,16V,Y5V,TP,1005"	CL05F104ZONC
204	C324	2203-005061	"C-CERAMIC,CHIP"	"100nF,+80-20%,16V,Y5V,TP,1005"	CL05F104ZONC
205	C332	2203-005061	"C-CERAMIC,CHIP"	"100nF,+80-20%,16V,Y5V,TP,1005"	CL05F104ZONC
206	C400	2203-005061	"C-CERAMIC,CHIP"	"100nF,+80-20%,16V,Y5V,TP,1005"	CL05F104ZONC
207	C402	2203-005061	"C-CERAMIC,CHIP"	"100nF,+80-20%,16V,Y5V,TP,1005"	CL05F104ZONC
208	C306	2203-005065	"C-CERAMIC,CHIP"	"1000nF,+80-20%,10V,Y5V,TP,1608"	CL10F105ZPNC
209	C120	2203-005234	"C-CERAMIC,CHIP"	"0.0012nF,0.25pF,50V,NP0,TP,1005"	CL05C1R2CBNC
210	C121	2203-005234	"C-CERAMIC,CHIP"	"0.0012nF,0.25pF,50V,NP0,TP,1005"	CL05C1R2CBNC
211	C491	2203-005444	"C-CERAMIC,CHIP"	"0.003nF,0.1pF,50V,NP0,TP,1005"	GRP1555C1H3R0B

NO	Reference	SEC CODE	Part	Description	Vendor Part No.
212	C145	2203-005450	"C-CERAMIC,CHIP"	"0.0056nF,0.1pF,50V,NP0,TP,1005"	GRP1555C1H5R6BZ01E
213	C482	2203-005480	"C-CERAMIC,CHIP"	"33nF,10%,10V,X7R,TP,1005,-"	GRP155R71A333KA01E
214	C488	2203-005480	"C-CERAMIC,CHIP"	"33nF,10%,10V,X7R,TP,1005,-"	GRP155R71A333KA01E
215	C492	2203-005481	"C-CERAMIC,CHIP"	"47nF,10%,10V,X7R,TP,1005,-"	GRP155R71A473KA01E
216	C300	2203-005482	"C-CERAMIC,CHIP"	"100nF,10%,10V,X5R,TP,1005,-"	GRP155R61A104KA01E
217	C302	2203-005482	"C-CERAMIC,CHIP"	"100nF,10%,10V,X5R,TP,1005,-"	GRP155R61A104KA01E
218	C303	2203-005482	"C-CERAMIC,CHIP"	"100nF,10%,10V,X5R,TP,1005,-"	GRP155R61A104KA01E
219	C457	2203-005503	"C-CERAMIC,CHIP"	"0.18nF,5%,25V,NP0,TP,1005"	CL05C181JANC
220	C461	2203-005503	"C-CERAMIC,CHIP"	"0.18nF,5%,25V,NP0,TP,1005"	CL05C181JANC
221	C345	2203-006208	"C-CERAMIC,CHIP"	"4700NF,20%,6.3V,X5R,TP,1608"	CM105X5R475M06AT
222	C343	2203-006208	"C-CERAMIC,CHIP"	"4700NF,20%,6.3V,X5R,TP,1608"	CM105X5R475M06AT
223	C342	2203-006208	"C-CERAMIC,CHIP"	"4700NF,20%,6.3V,X5R,TP,1608"	CM105X5R475M06AT
224	C314	2203-006208	"C-CERAMIC,CHIP"	"4700NF,20%,6.3V,X5R,TP,1608"	CM105X5R475M06AT
225	C310	2203-006208	"C-CERAMIC,CHIP"	"4700NF,20%,6.3V,X5R,TP,1608"	CM105X5R475M06AT
226	C307	2203-006208	"C-CERAMIC,CHIP"	"4700NF,20%,6.3V,X5R,TP,1608"	CM105X5R475M06AT
227	C301	2404-001105	"C-TA,CHIP"	"10UF,20%,6.3V,GP,TP,2012"	TCSCS0J106MPAR
228	C131	2404-001134	"C-TA,CHIP"	"100UF,20%,6.3V,LZ,TP,4028"	595D107X06R3B2T
229	C485	2404-001162	"C-TA,CHIP"	"47uF,20%,4V,LZ,TP,3216"	F950G476MAAJZTQ2
230	C341	2503-001041	C-NETWORK	"100PFX4,10%,25V,-"	W2A43A101KAT2A
231	L104	2703-002176	INDUCTOR-SMD	"2.7NH,0.3NH,1X0.5X0.5MM"	CIH05T2N7SNC
232	L100	2703-002198	INDUCTOR-SMD	"10NH,5%,1.0X0.5X0.5MM"	CIH05T10NJNC
233	L108	2703-002201	INDUCTOR-SMD	"33NH,5%,1.0X0.5X0.5MM"	CIH05T33NJNC
234	L111	2703-002203	INDUCTOR-SMD	"15NH,5%,1.0X0.5X0.5MM"	CIH05T15NJNC
235	L101	2703-002205	INDUCTOR-SMD	"3.9NH,10%,1.0X0.5X0.5MM"	CIH05T3N9KNC
236	L107	2703-002205	INDUCTOR-SMD	"3.9NH,10%,1.0X0.5X0.5MM"	CIH05T3N9KNC
237	L109	2703-002205	INDUCTOR-SMD	"3.9NH,10%,1.0X0.5X0.5MM"	CIH05T3N9KNC
238	L106	2703-002268	INDUCTOR-SMD	"8.2NH,10%,1.0X0.5X0.5MM"	CIH05T8N2JNC
239	L400	2703-002269	INDUCTOR-SMD	"56NH,10%,1.0X0.5X0.5MM"	CIH05T56NJNC
240	L402	2703-002314	INDUCTOR-SMD	"47NH,5%,1.0X0.5X0.5MM"	CIH05T47NJNC
241	L403	2703-002314	INDUCTOR-SMD	"47NH,5%,1.0X0.5X0.5MM"	CIH05T47NJNC
242	L102	2703-002484	INDUCTOR-SMD	"7.5NH,5%,1.0X0.5X0.5MM"	0402CS-7N5XJBW
243	L103	2703-002485	INDUCTOR-SMD	"27NH,5%,1.0X0.5X0.5MM"	0402CS-27NXJBW
244	X1	2801-004025	CRYSTAL-UNIT	"0.032768MHz,20ppm,28-ABK,1.7fF,65kohm,TP"	FC-255
245	U102	2809-001266	OSCILLATOR-VCTCXO	"13MHZ,5PPM,10KOHM//10~40PF,TP,2.8V,-"	TCO-9141E(13MHZ)
246	F401	2901-001234	FILTER-EMI SMD	"6V,0.02A,-,47PF,3.2X1.6X0.6MM,TP"	NFA31GD4704704D
247	F402	2901-001234	FILTER-EMI SMD	"6V,0.02A,-,47PF,3.2X1.6X0.6MM,TP"	NFA31GD4704704D
248	F101	2904-001417	FILTER-SAW	"942.5MHZ,-,0.8DB,TP,925.0-960.0MHZ/1.9DB,-"	B7820
249	F100	2904-001419	FILTER-SAW	"1.8425GHZ,-,0.9DB,TP,1805.0-1880.0/2.4DB,-"	B7821
250	U107	2909-001197	FILTER-DUPLEXER	"1.8425GHZ,1.7475GHZ,0.1/0.05DB,TP,-,-"	LMG002S-5047A
251	L302	3301-001120	CORE-FERRITE BEAD	"AB,30ohm,2x1.25x0.85mm,3000mA"	BLM21PG300SN1D
252	L301	3301-001362	CORE-FERRITE BEAD	"AB,1kohm,1x0.5x0.5mm"	BLM15AG102PN1D
253	L401	3301-001362	CORE-FERRITE BEAD	"AB,1kohm,1x0.5x0.5mm"	BLM15AG102PN1D
254	CON1	3705-001287	CONNECTOR-COAXIAL	"-,JACK,75MOHM,50OHM,0.1DB"	MS-156

NO	Refer ence	SEC CODE	Part	Description	Vendor Part No.
255	CN302	3709-001244	CONNECTOR-CARD EDGE	"6P,2MM,-,AU"	PC-D6-A3-H2.9-S
256	CN4	3710-001816	CONNECTOR-SOCKET	"18P,1R,0.5MM,ANGLE,AU"	1004-0018-319
257	CN100	3711-005229	CONNECTOR-HEADER	"BOX,30P,2R,0.4MM,SMD-S,AU,BLK"	14-5602-030-001-829
258	EAR500	3722-001715	JACK-PHONE	"6P,2.3PI,AU,BLK,-"	02-828P0-53BKA
259	C322	4302-001119	BATTERY-LI(2ND)	"3V,0.1MAH,-,-,3.1V,-"	RB414II06N
260		GH41-00362A	PCB-SGHT410 MAIN	"SGH-T410,FR-4,-,-,1.00T,100X155"	GH41-00362A

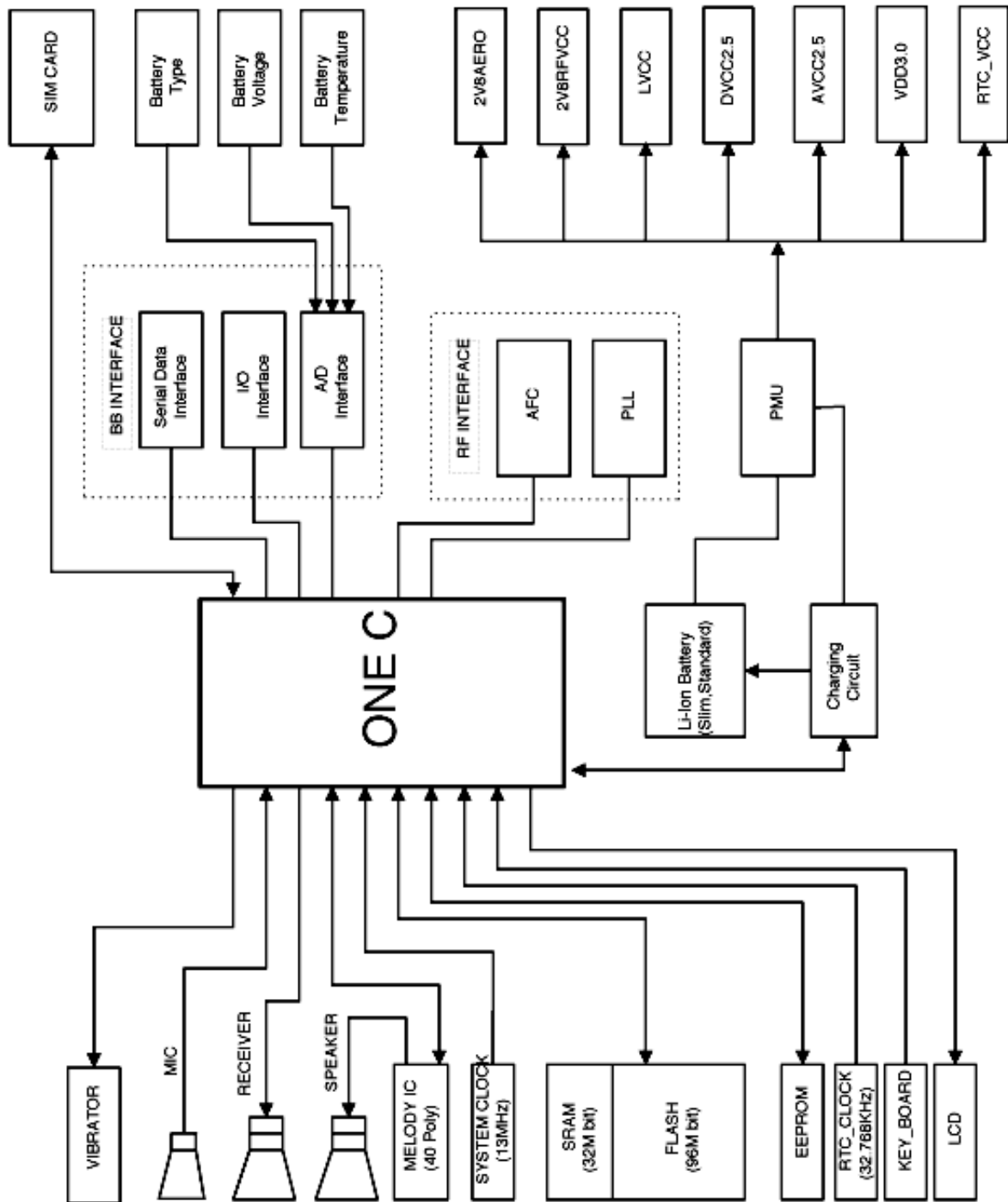
3-2 Main Parts List Bottom

NO	Reference	SEC CODE	Part	Description	Vendor Part No.
1	D313	0406-001083	DIODE-TVS	"-,6.1/-7.2V,150W,SOT-323-5L"	ESDA6V1W5
2	Q300	0504-001012	TR-DIGITAL	"DTC114YE,NPN,150MW,10K/47K,EMT3,TP"	DTC114YE
3	U401	0504-001151	TR-DIGITAL	"PEMD10,NPN/PNP,300MW,2.2K/47KOHM,SOT-666,TP"	PEMD10
4	U402	0504-001151	TR-DIGITAL	"PEMD10,NPN/PNP,300MW,2.2K/47KOHM,SOT-666,TP"	PEMD10
5	Q304	0505-001570	FET-SILICON	"-,N/P,-,-,-,0.4W,SC70-6"	SI1865DL-T1
6	U303	0506-001052	TR-ARRAY	"UMH9N,NPN,2,150MW,SC-88,TP,68-"	UMH9N-TN
7	D301	0601-001543	LED	"CHIP,ORG/GRN/BLUE,2X2MM,605/525/470NM"	HL500-F01-SS
8	D303	0601-001611	LED	"CHIP,WHT,1.1X0.8MM,-"	SLS-NNWH102TS
9	D304	0601-001611	LED	"CHIP,WHT,1.1X0.8MM,-"	SLS-NNWH102TS
10	D305	0601-001611	LED	"CHIP,WHT,1.1X0.8MM,-"	SLS-NNWH102TS
11	D306	0601-001611	LED	"CHIP,WHT,1.1X0.8MM,-"	SLS-NNWH102TS
12	D307	0601-001611	LED	"CHIP,WHT,1.1X0.8MM,-"	SLS-NNWH102TS
13	D308	0601-001611	LED	"CHIP,WHT,1.1X0.8MM,-"	SLS-NNWH102TS
14	D309	0601-001611	LED	"CHIP,WHT,1.1X0.8MM,-"	SLS-NNWH102TS
15	D310	0601-001611	LED	"CHIP,WHT,1.1X0.8MM,-"	SLS-NNWH102TS
16	D311	0601-001611	LED	"CHIP,WHT,1.1X0.8MM,-"	SLS-NNWH102TS
17	U403	0801-002540	IC-CMOS LOGIC	"7SZ19,DECODER,SOP,6P,49MIL,SINGLE,TP,PLASTIC"	NC7SZ19P6X
18	U400	1009-001010	IC-HALL EFFECT S/W	"A3212ELH-SAMSUNG,SC-59A,3P,82MIL"	A3212ELHLT-SAMSUNG
19	U412	1204-001960	IC-MELODY	"YMU762 MA-3,QFN,32P,6.2X5"	YMU762-QE2
20	V401	1405-001019	VARISTOR	"5.6V,-,1.6x0.8mm,TP"	AVL 5M 03 300
21	V402	1405-001082	VARISTOR	"5.6V,20A,1x0.5x0.6mm,TP"	VC040205X150R
22	R344	2007-000141	R-CHIP	"2.2Kohm,5%,1/16W,DA,TP,1005"	RC1005J222CS
23	R335	2007-000143	R-CHIP	"4.7Kohm,5%,1/16W,DA,TP,1005"	RC1005J472CS
24	R343	2007-000146	R-CHIP	"6.8Kohm,5%,1/16W,DA,TP,1005"	RC1005J682CS
25	R325	2007-000148	R-CHIP	"10Kohm,5%,1/16W,DA,TP,1005"	RC1005J103CS
26	R339	2007-000152	R-CHIP	"20Kohm,5%,1/16W,DA,TP,1005"	RC1005J203CS
27	R338	2007-000157	R-CHIP	"47Kohm,5%,1/16W,DA,TP,1005"	RC1005J473CS
28	R400	2007-000157	R-CHIP	"47Kohm,5%,1/16W,DA,TP,1005"	RC1005J473CS
29	R470	2007-000157	R-CHIP	"47Kohm,5%,1/16W,DA,TP,1005"	RC1005J473CS
30	R322	2007-000162	R-CHIP	"100Kohm,5%,1/16W,DA,TP,1005"	RC1005J104CS
31	R408	2007-000162	R-CHIP	"100Kohm,5%,1/16W,DA,TP,1005"	RC1005J104CS
32	R409	2007-000162	R-CHIP	"100Kohm,5%,1/16W,DA,TP,1005"	RC1005J104CS
33	R341	2007-001301	R-CHIP	"68ohm,5%,1/16W,DA,TP,1005"	RC1005J680CS
34	R342	2007-001306	R-CHIP	"150ohm,5%,1/16W,DA,TP,1005"	RC1005J151CS
35	R330	2007-001319	R-CHIP	"1.2Kohm,5%,1/16W,DA,TP,1005"	ERJ2GEJ122X
36	R328	2007-001325	R-CHIP	"3.3Kohm,5%,1/16W,DA,TP,1005"	RC1005J332CS
37	R340	2007-007008	R-CHIP	"300OHM,5%,1/16W,DA,TP,1005"	RC1005J301CS
38	R301	2007-007009	R-CHIP	"75OHM,5%,1/16W,DA,TP,1005"	RC1005J750CS
39	R302	2007-007009	R-CHIP	"75OHM,5%,1/16W,DA,TP,1005"	RC1005J750CS
40	R303	2007-007009	R-CHIP	"75OHM,5%,1/16W,DA,TP,1005"	RC1005J750CS

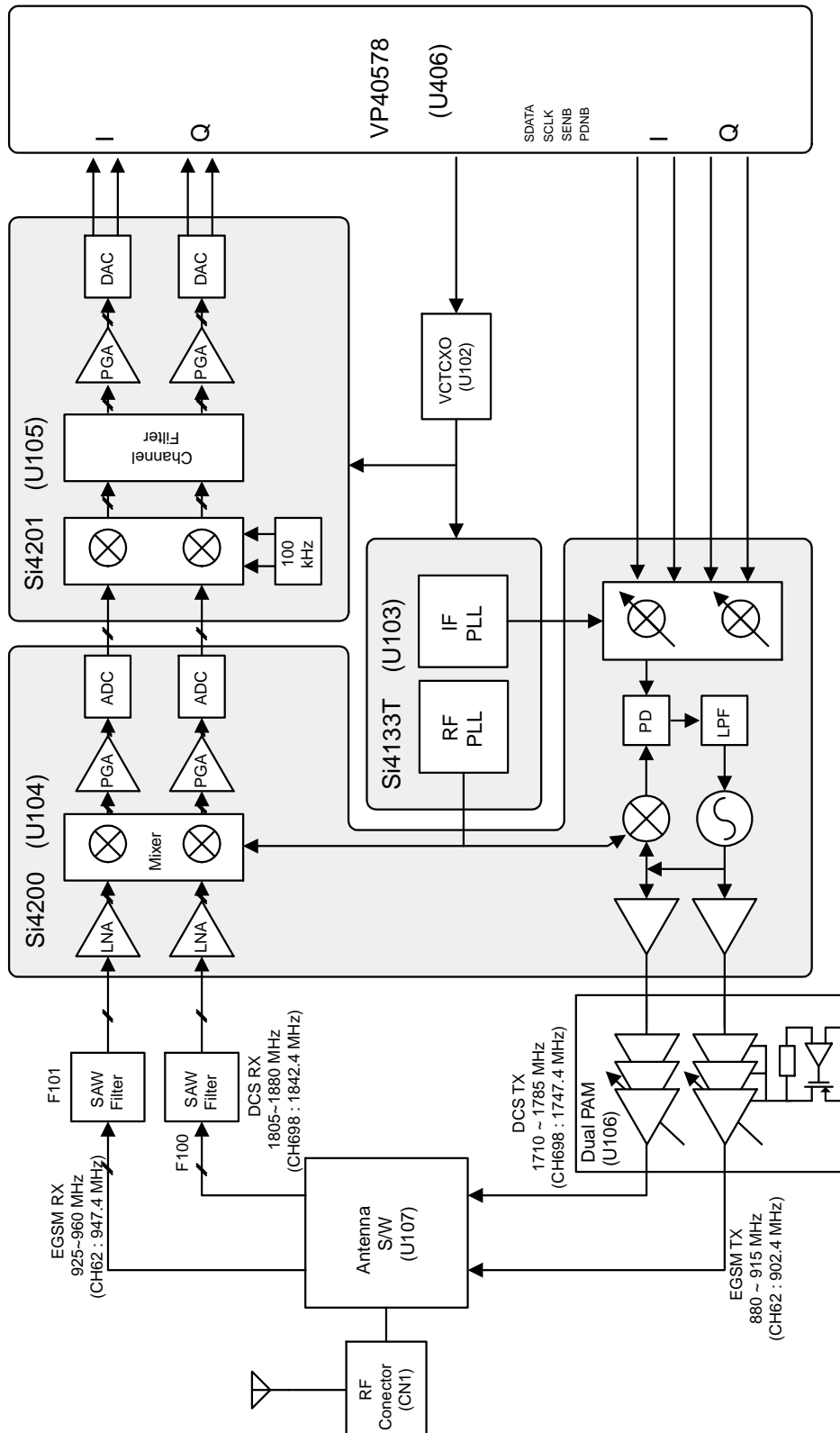
NO	Reference	SEC CODE	Part	Description	Vendor Part No.
41	R304	2007-007009	R-CHIP	"75OHM,5%,1/16W,DA,TP,1005"	RC1005J750CS
42	R305	2007-007009	R-CHIP	"75OHM,5%,1/16W,DA,TP,1005"	RC1005J750CS
43	R306	2007-007009	R-CHIP	"75OHM,5%,1/16W,DA,TP,1005"	RC1005J750CS
44	R307	2007-007009	R-CHIP	"75OHM,5%,1/16W,DA,TP,1005"	RC1005J750CS
45	R308	2007-007009	R-CHIP	"75OHM,5%,1/16W,DA,TP,1005"	RC1005J750CS
46	R309	2007-007009	R-CHIP	"75OHM,5%,1/16W,DA,TP,1005"	RC1005J750CS
47	R346	2007-007107	R-CHIP	"100Kohm,1%,1/16W,DA,TP,1005"	RC1005F1003CS
48	R345	2007-007590	R-CHIP	"82Kohm,1%,1/16W,DA,TP,1005"	ERJ2RKF8202X
49	R321	2007-007771	R-CHIP	"0OHM,5%,1/16W,DA,TP,1005"	RC1005J000CS
50	R329	2007-007771	R-CHIP	"0OHM,5%,1/16W,DA,TP,1005"	RC1005J000CS
51	R320	2011-001344	R-NETWORK	"100ohm,5%,1/16W,L,CHIP,8P,TP"	EXB28V101JX
52	R324	2011-001344	R-NETWORK	"100ohm,5%,1/16W,L,CHIP,8P,TP"	EXB28V101JX
53	C344	2203-000254	"C-CERAMIC,CHIP"	"10nF,10%,16V,X7R,TP,1005,-"	CL05B103KONC
54	C321	2203-000438	"C-CERAMIC,CHIP"	"1nF,10%,50V,X7R,TP,1005,-"	CL05B102KBNC
55	C334	2203-000679	"C-CERAMIC,CHIP"	"0.027NF,5%,50V,C0G,TP,1005"	CL05C270JBNC
56	C403	2203-002443	"C-CERAMIC,CHIP"	"0.33nF,10%,50V,X7R,TP,1005"	CL05B331KBNC
57	C328	2203-002687	"C-CERAMIC,CHIP"	"1.2nF,10%,50V,X7R,TP,1005"	CL05B122KBNC
58	C304	2203-005061	"C-CERAMIC,CHIP"	"100nF,+80-20%,16V,Y5V,TP,1005"	CL05F104ZONC
59	C317	2203-005061	"C-CERAMIC,CHIP"	"100nF,+80-20%,16V,Y5V,TP,1005"	CL05F104ZONC
60	C323	2203-005061	"C-CERAMIC,CHIP"	"100nF,+80-20%,16V,Y5V,TP,1005"	CL05F104ZONC
61	C330	2203-005061	"C-CERAMIC,CHIP"	"100nF,+80-20%,16V,Y5V,TP,1005"	CL05F104ZONC
62	C333	2203-005061	"C-CERAMIC,CHIP"	"100nF,+80-20%,16V,Y5V,TP,1005"	CL10F105ZPNC
63	C336	2203-005065	"C-CERAMIC,CHIP"	"1000nF,+80-20%,10V,Y5V,TP,1608"	CL10F105ZPNC
64	C327	2203-005496	"C-CERAMIC,CHIP"	"220nF,+80-20%,10V,Y5V,TP,1005"	GRP155F51A224ZD02E
65	C329	2404-001086	"C-TA,CHIP"	"4.7uF,20%,6.3V,GP,TP,2012,-"	TESVSP0J475M8RTJ

4. Block Diagrams

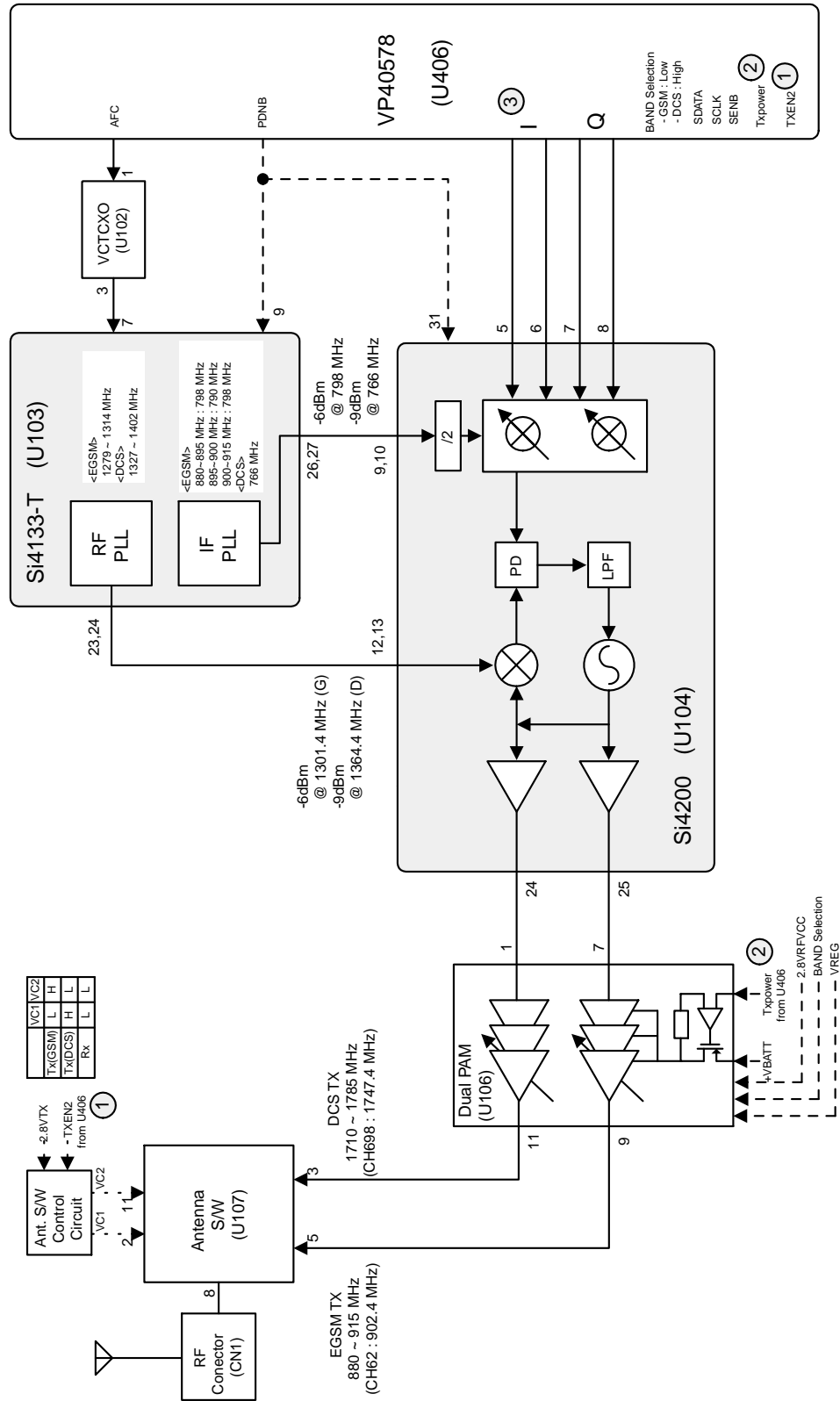
4-1 Main Baseband



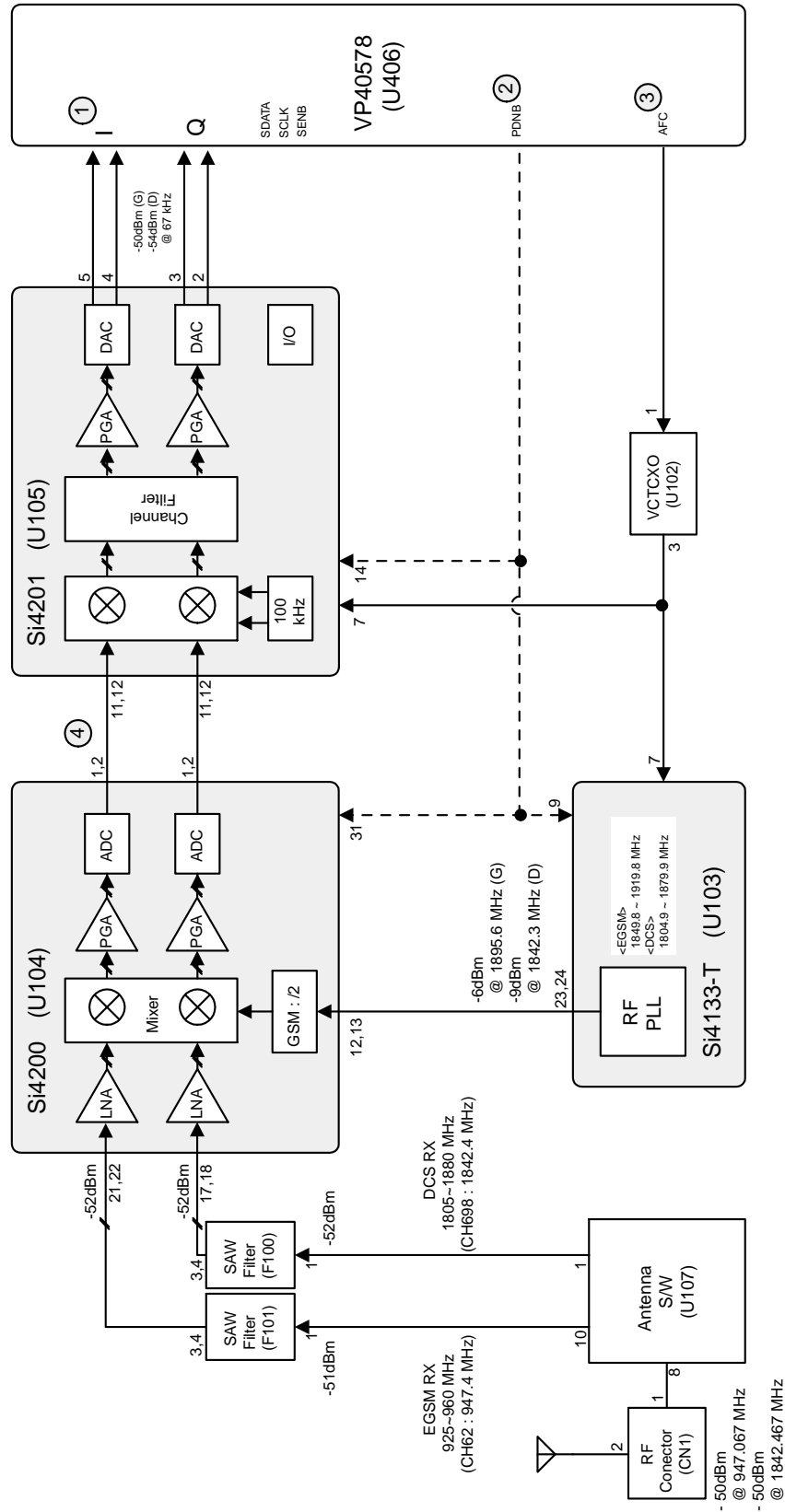
4-2 Main RF



4-2-1 RF Transmit Part

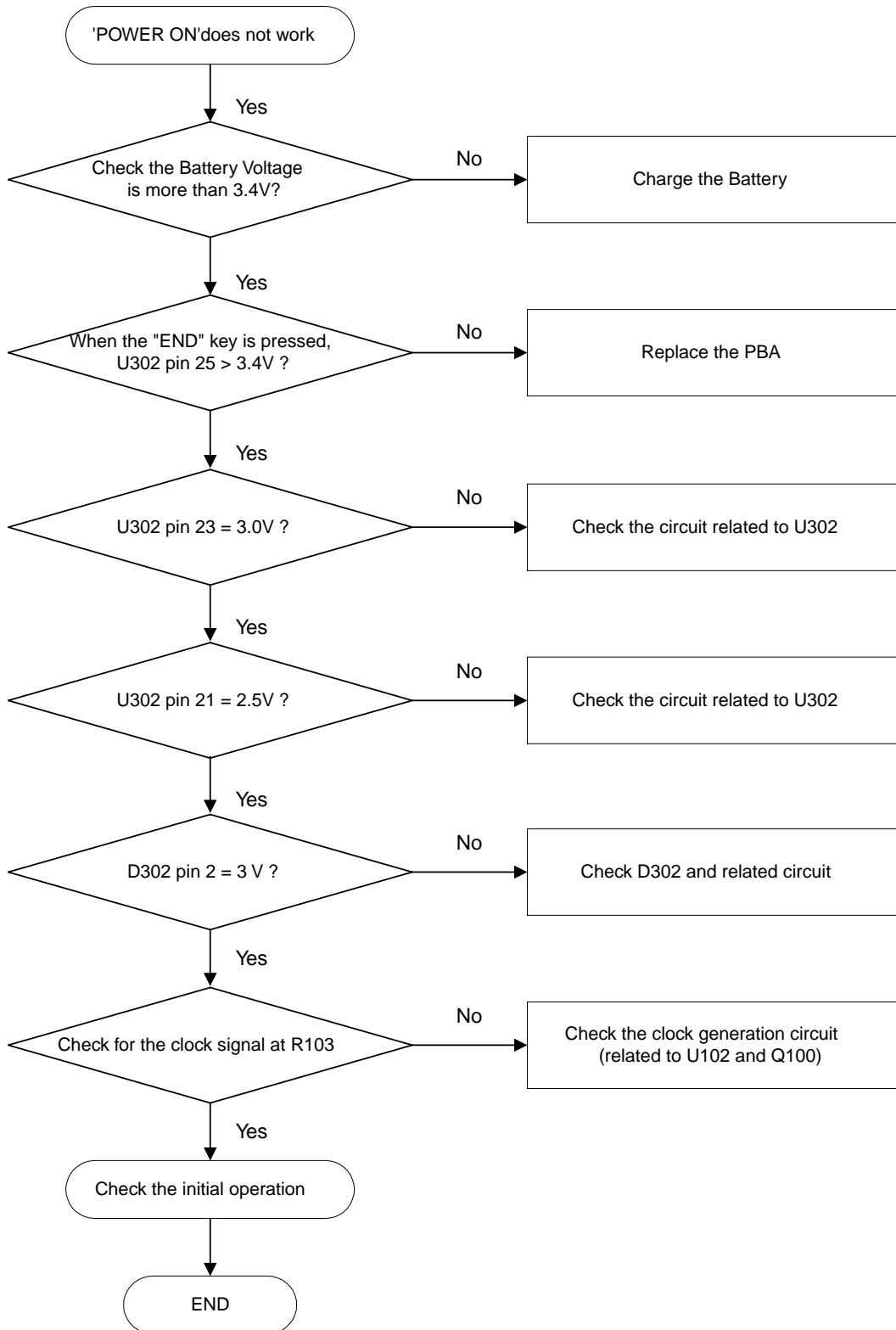


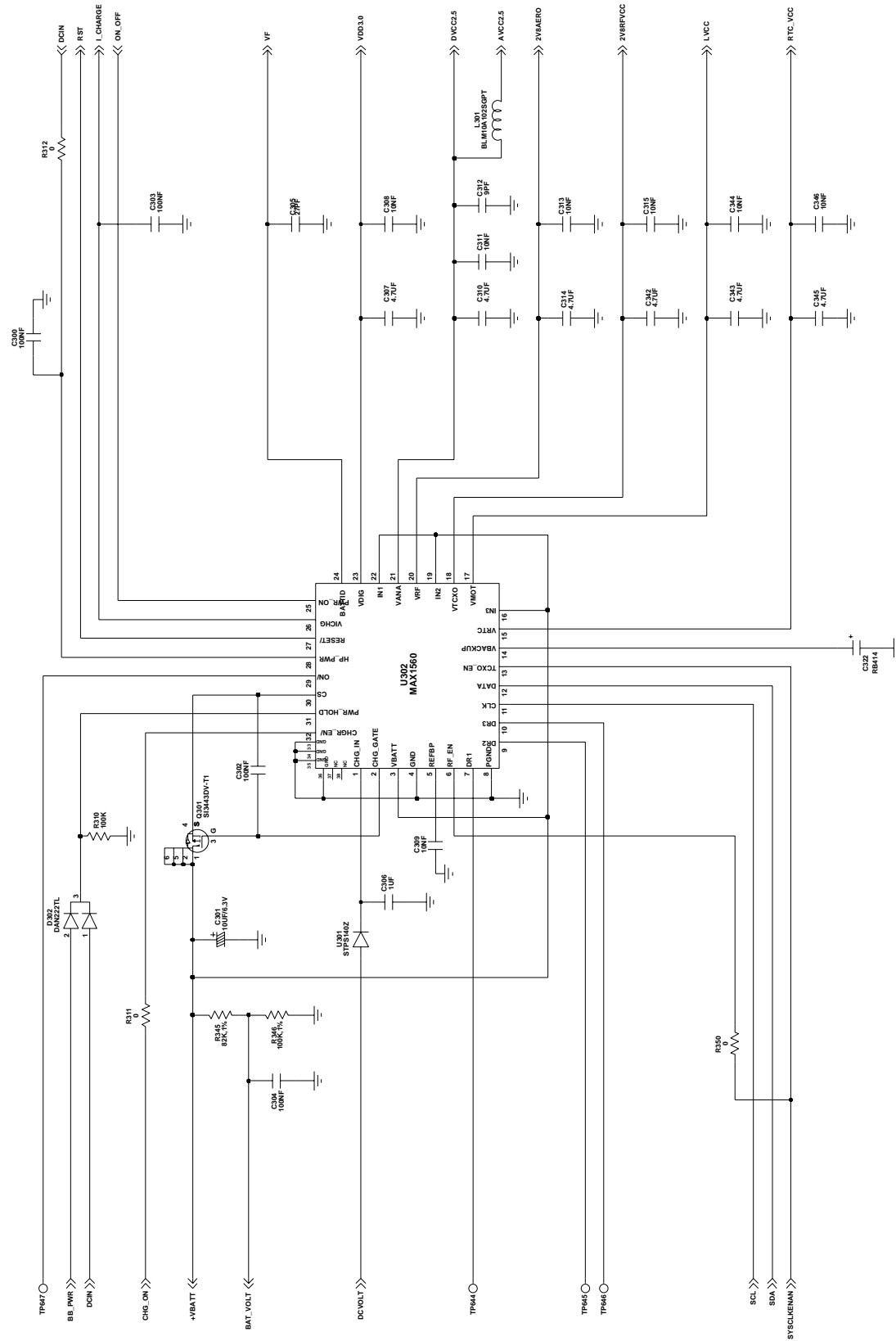
4-2-2 RF Receive Part



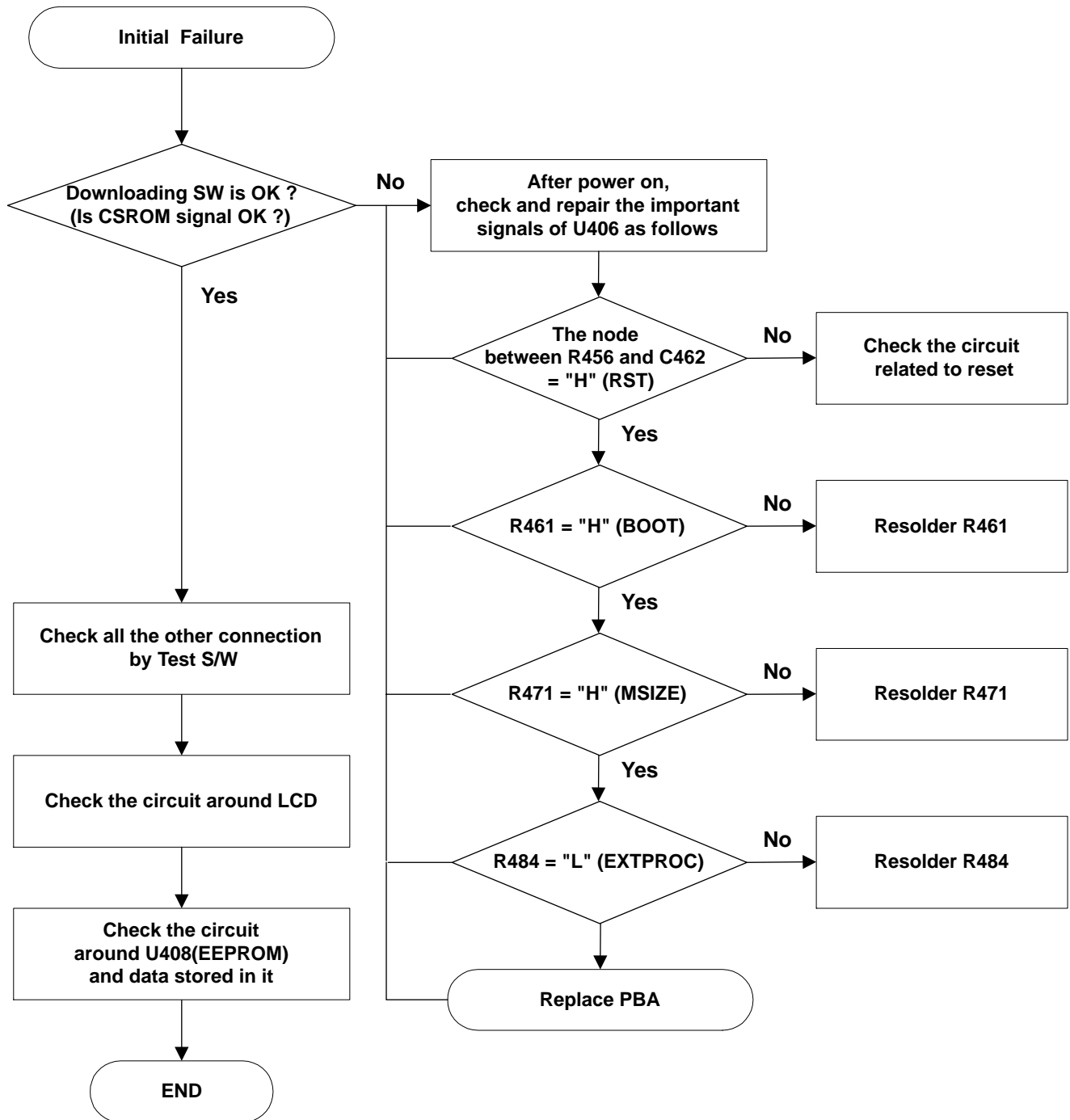
5. Flow Chart of Troubleshooting and Circuit Diagrams

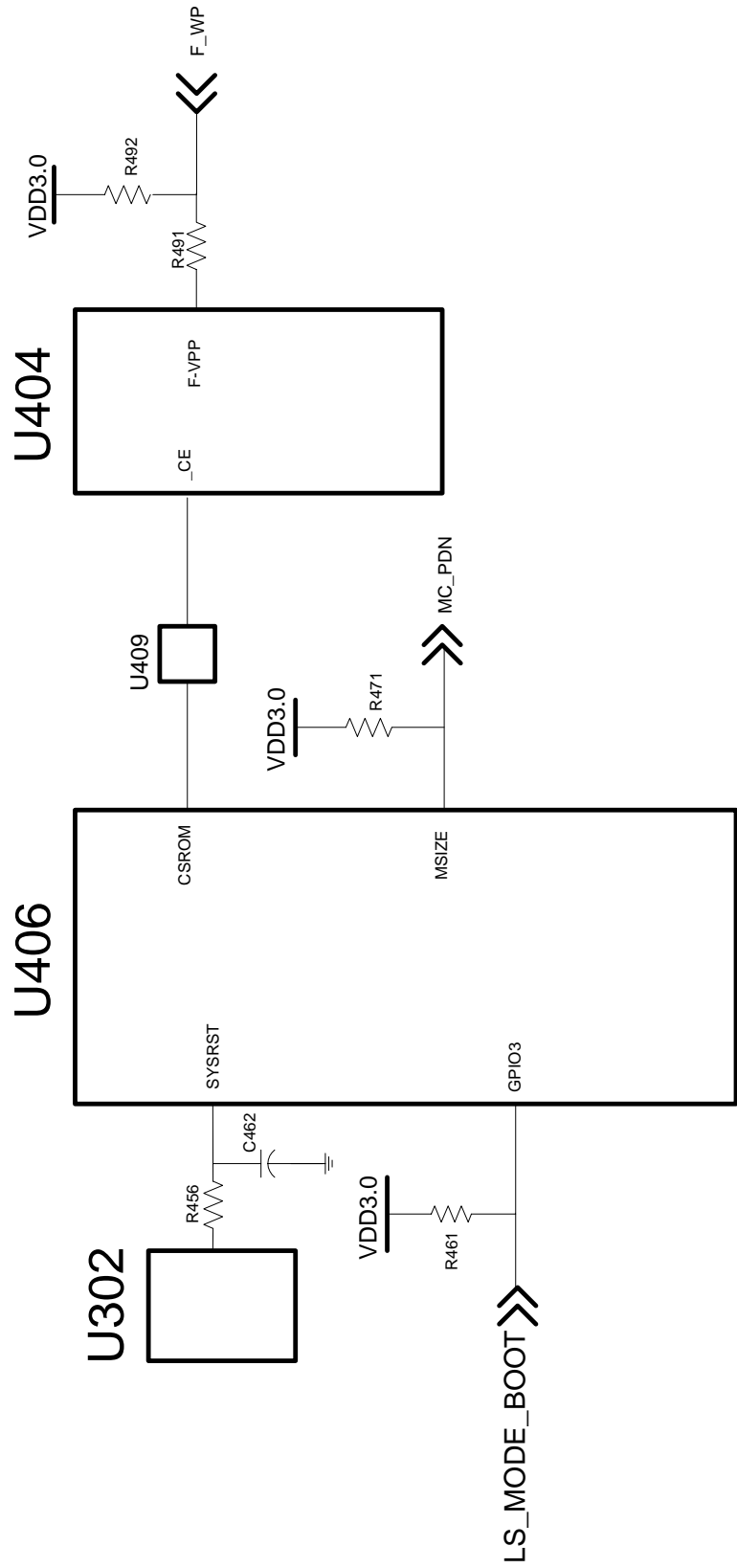
5-1 Power ON



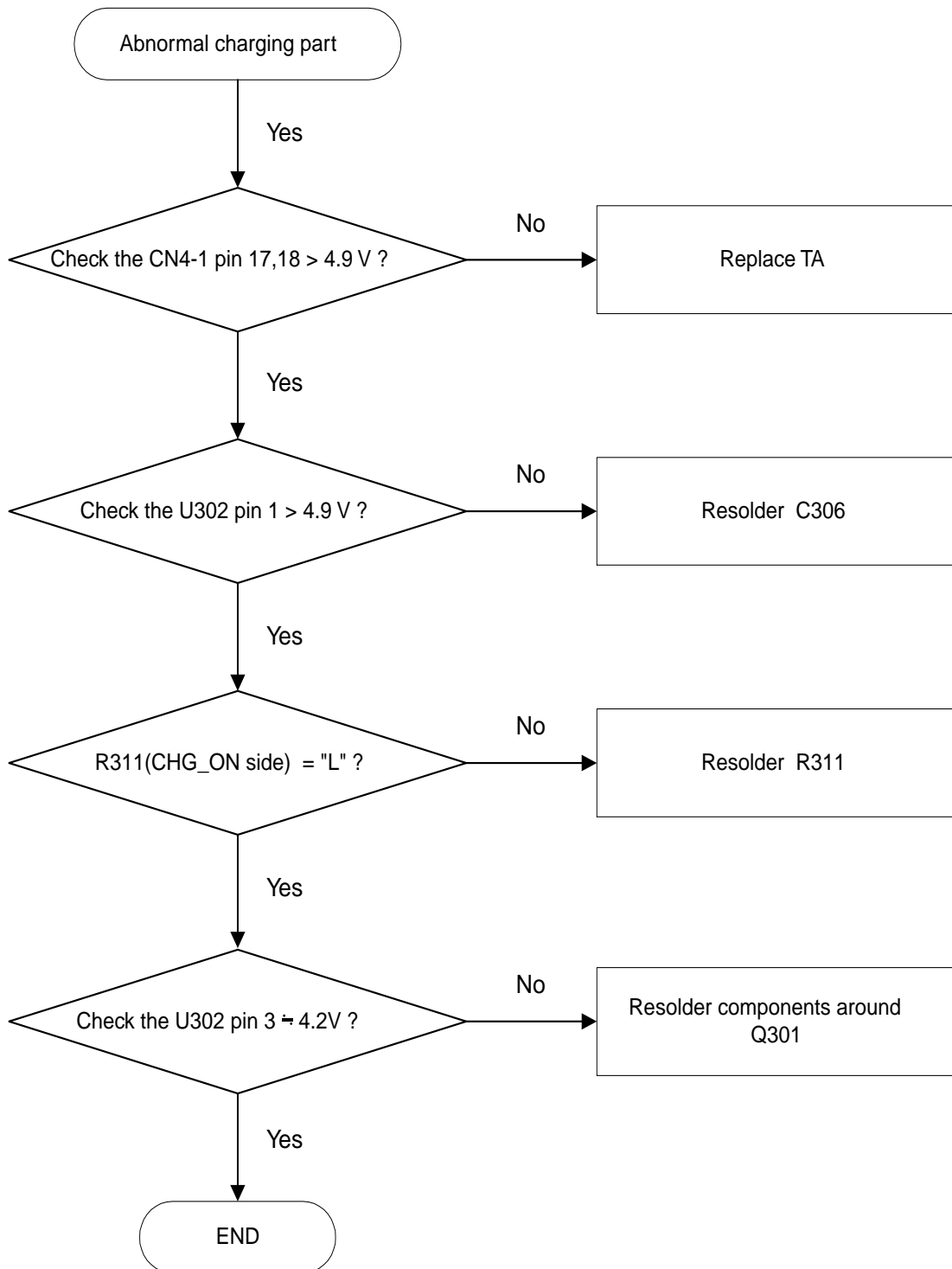


5-2 Initial

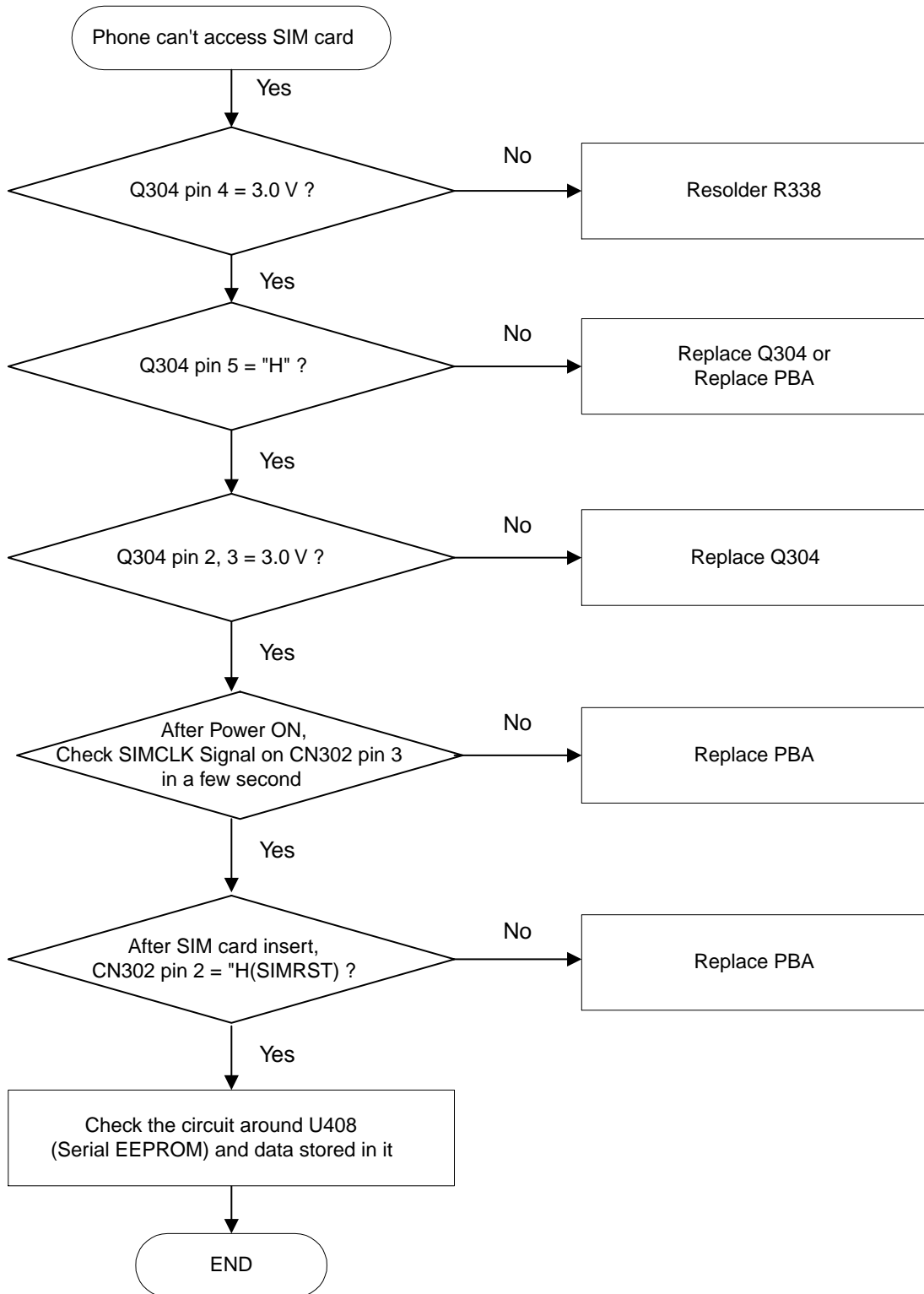


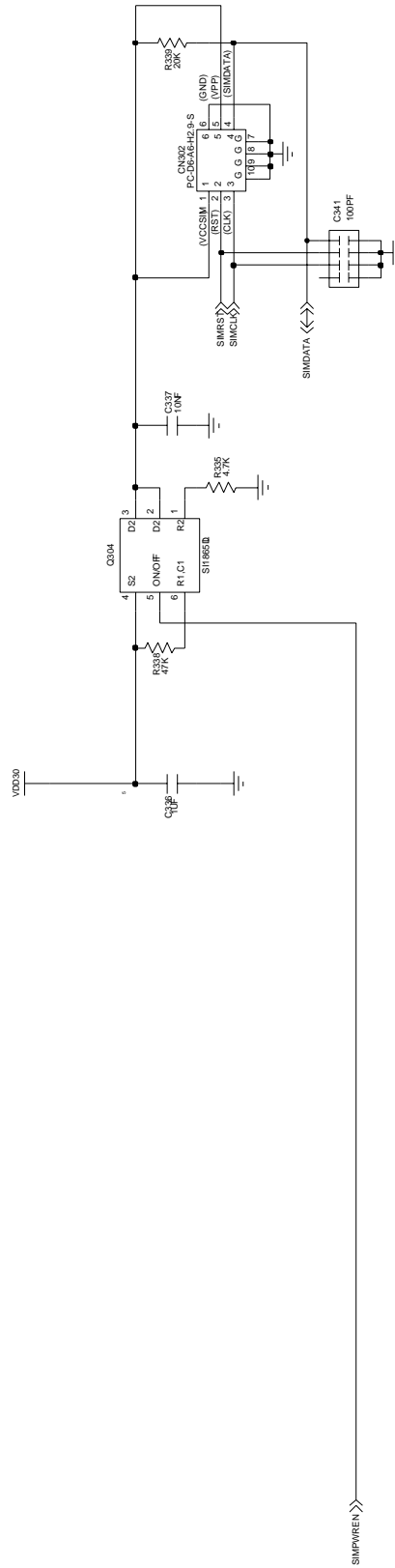


5-3 Charging Part

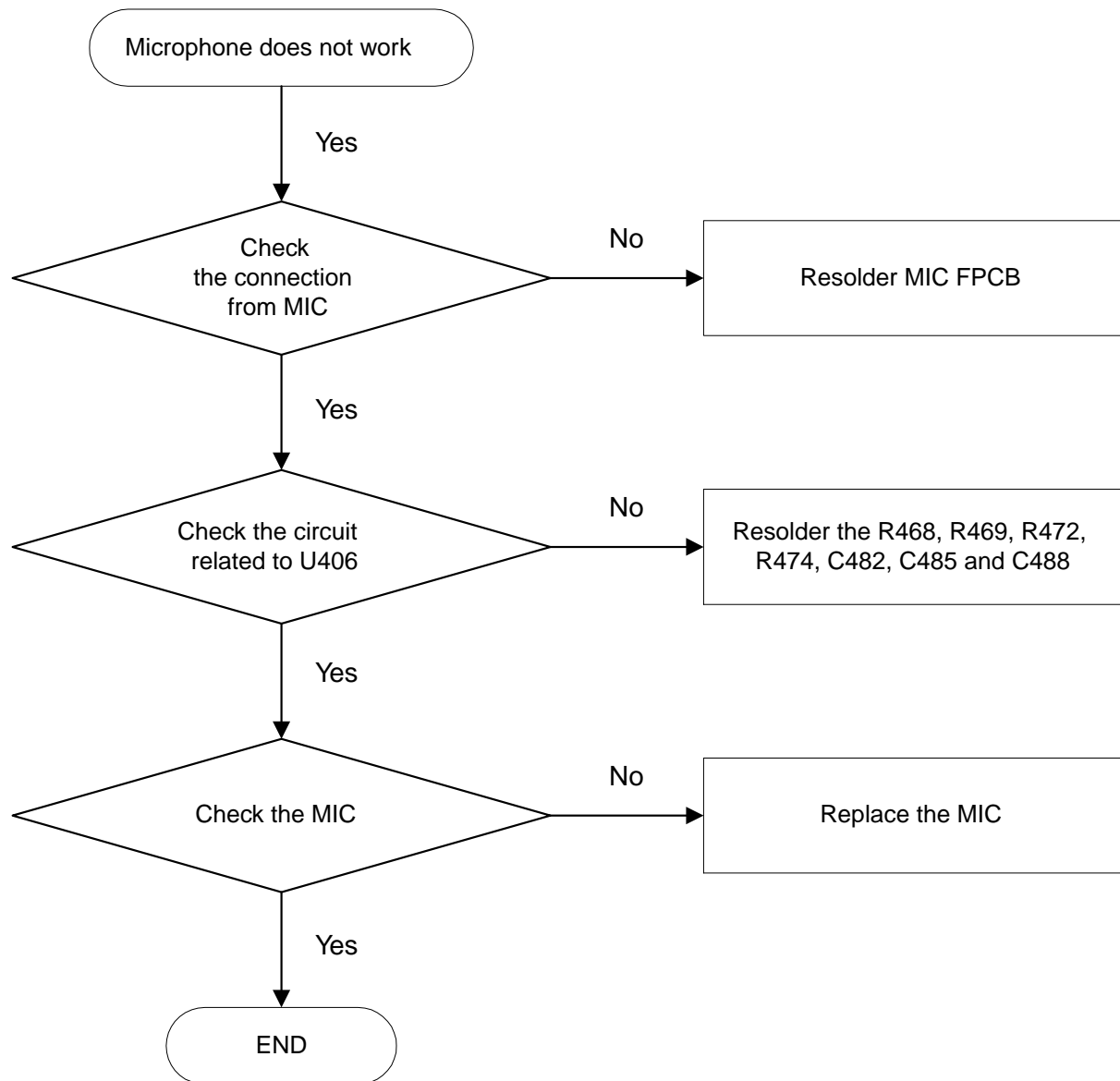


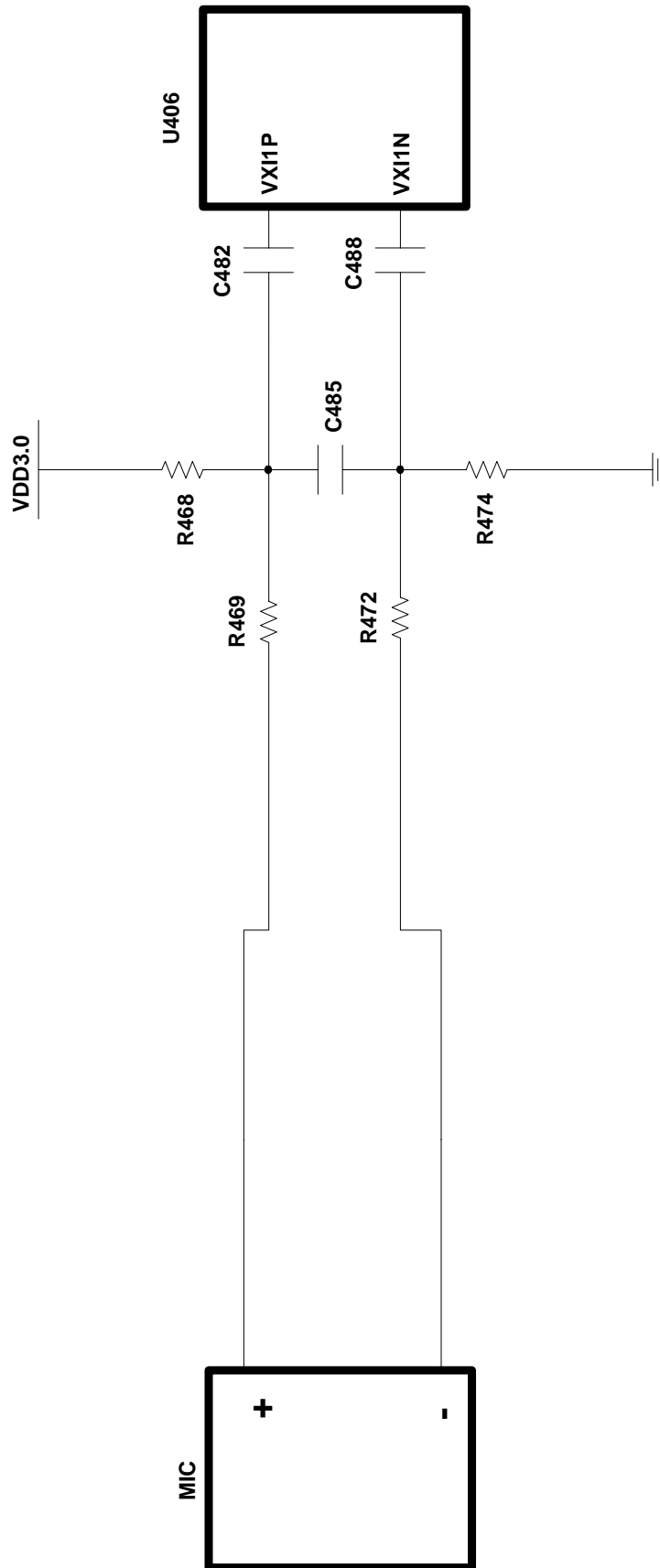
5-4 Sim Part



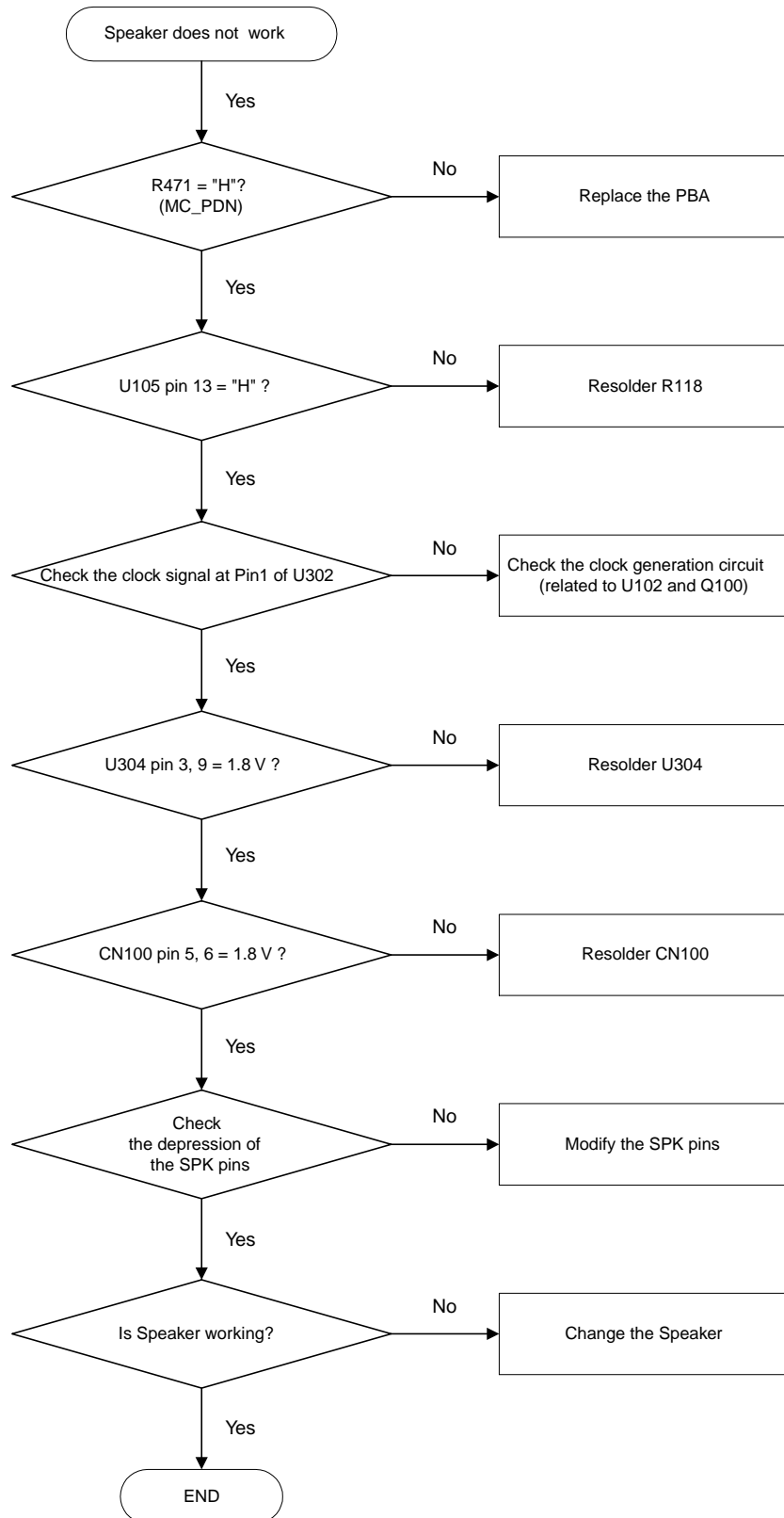


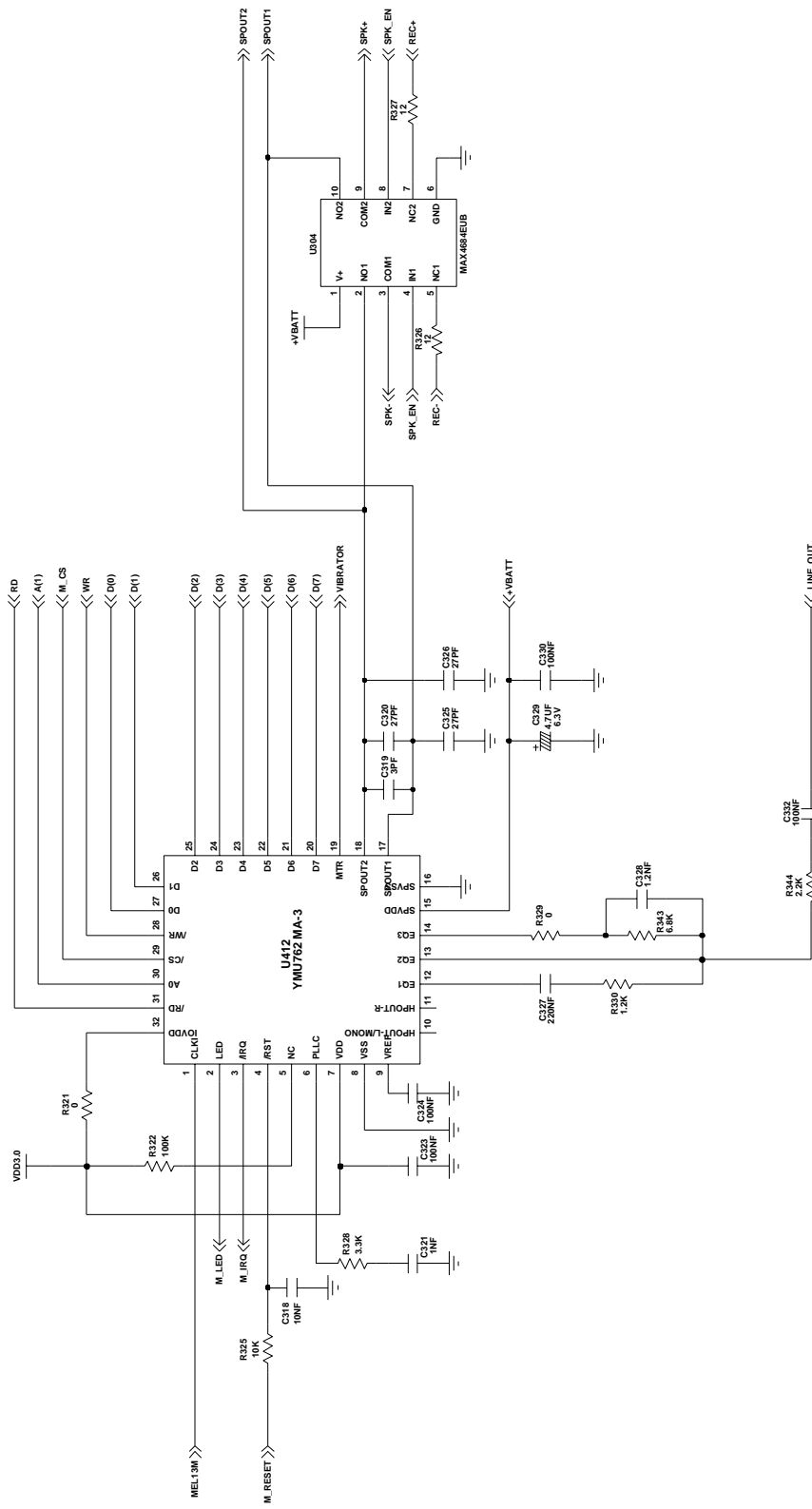
5-5 Microphone Part



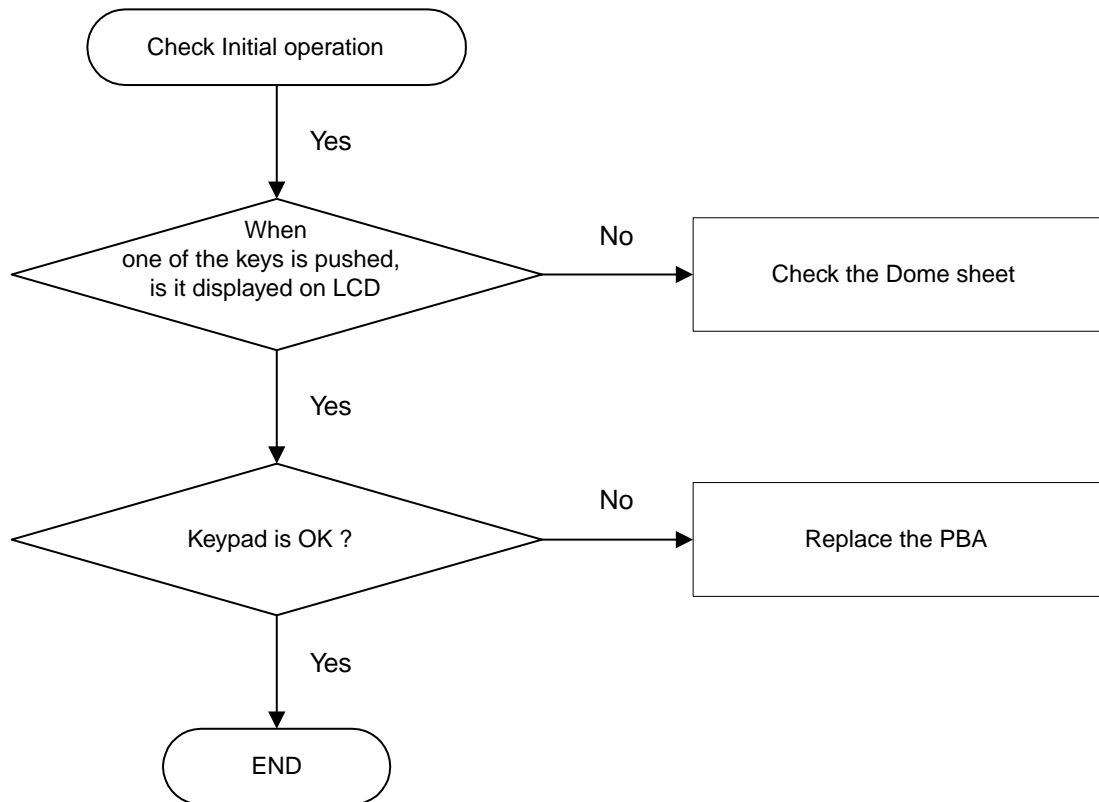


5-6 Speaker Part

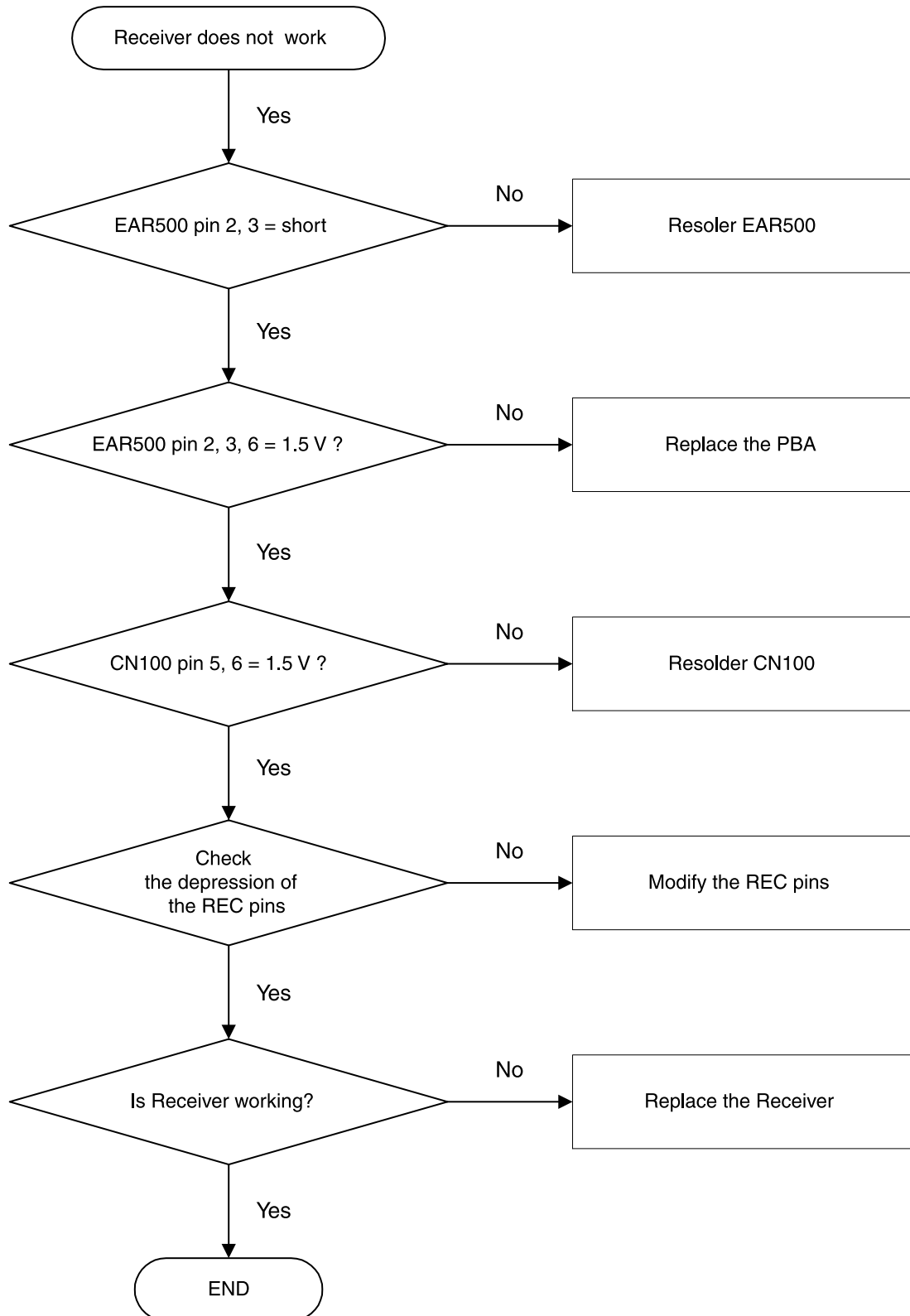


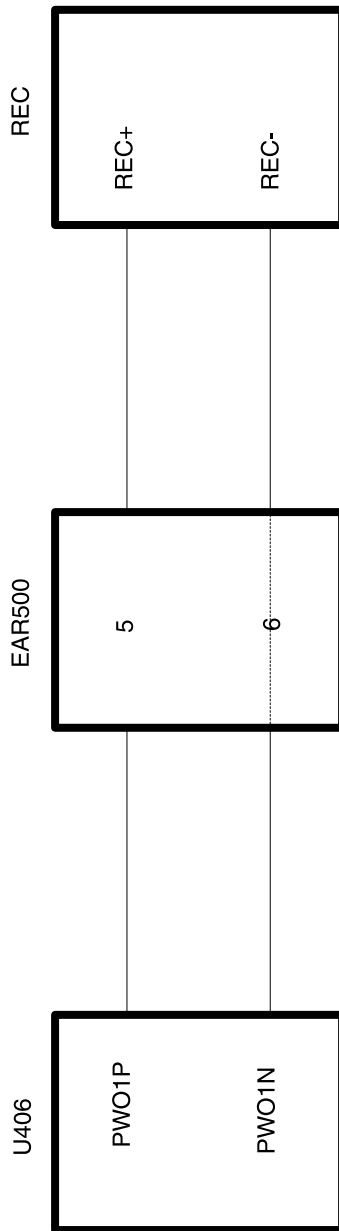


5-7 Key Data Input

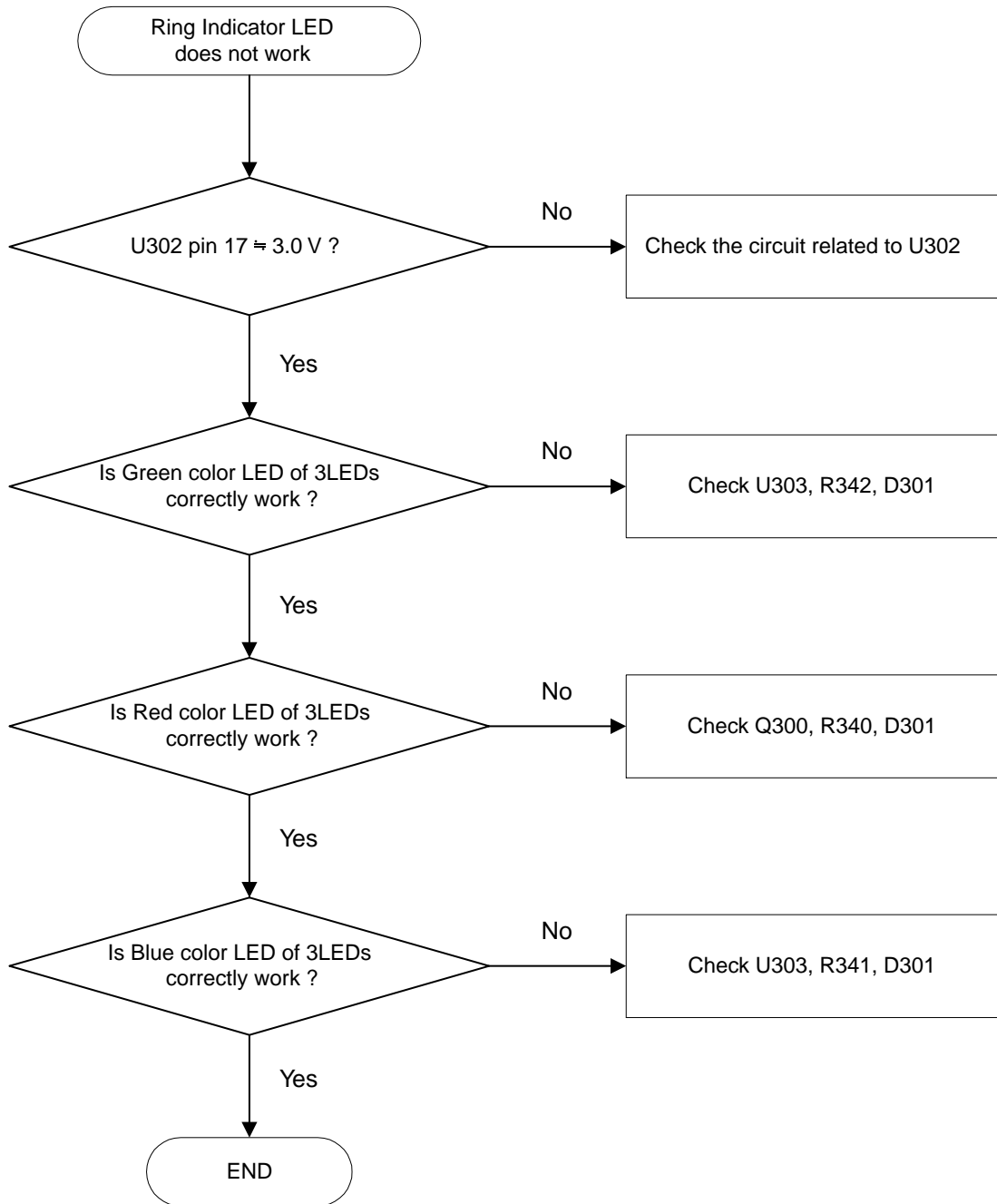


5-8 Receiver Part

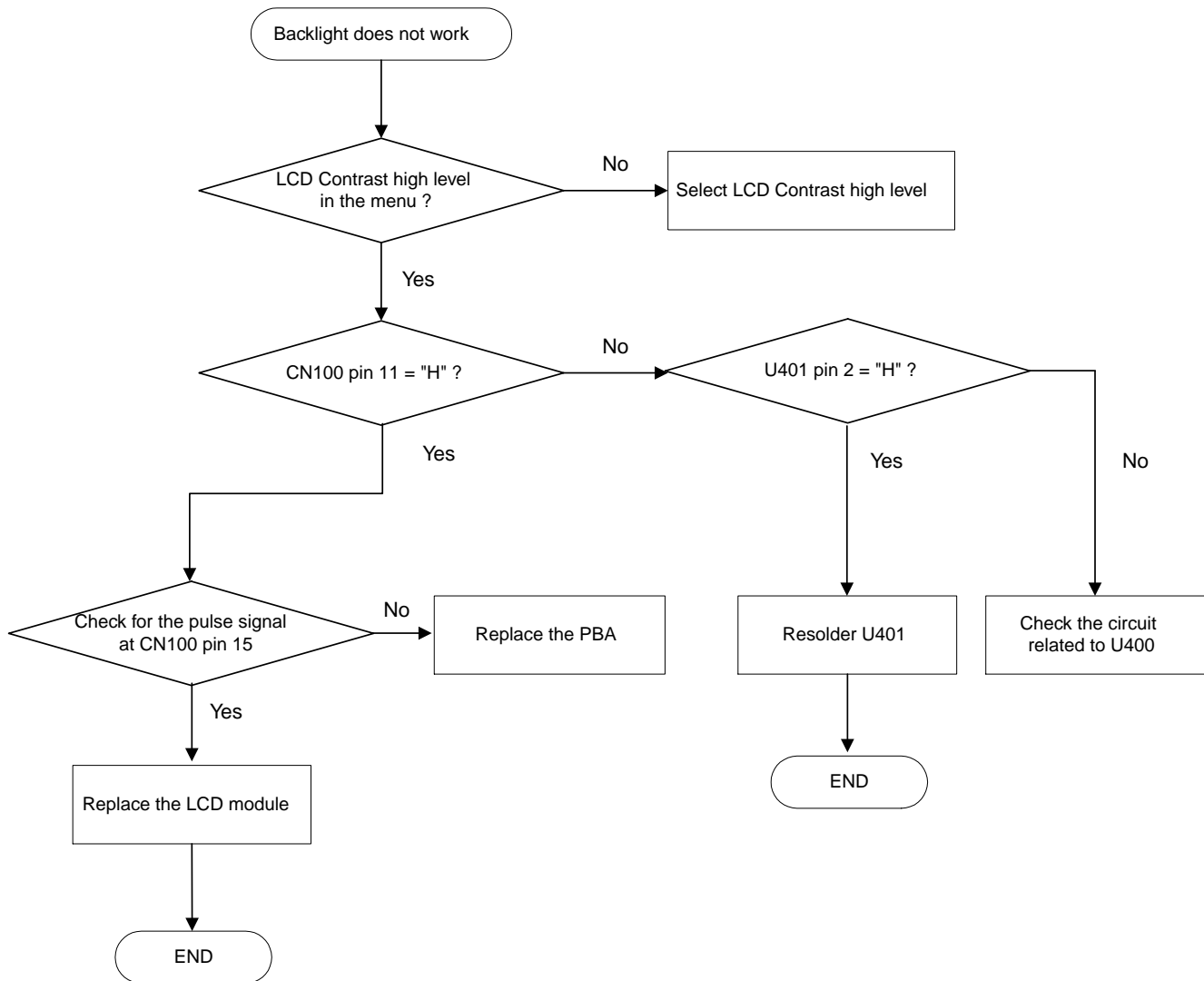




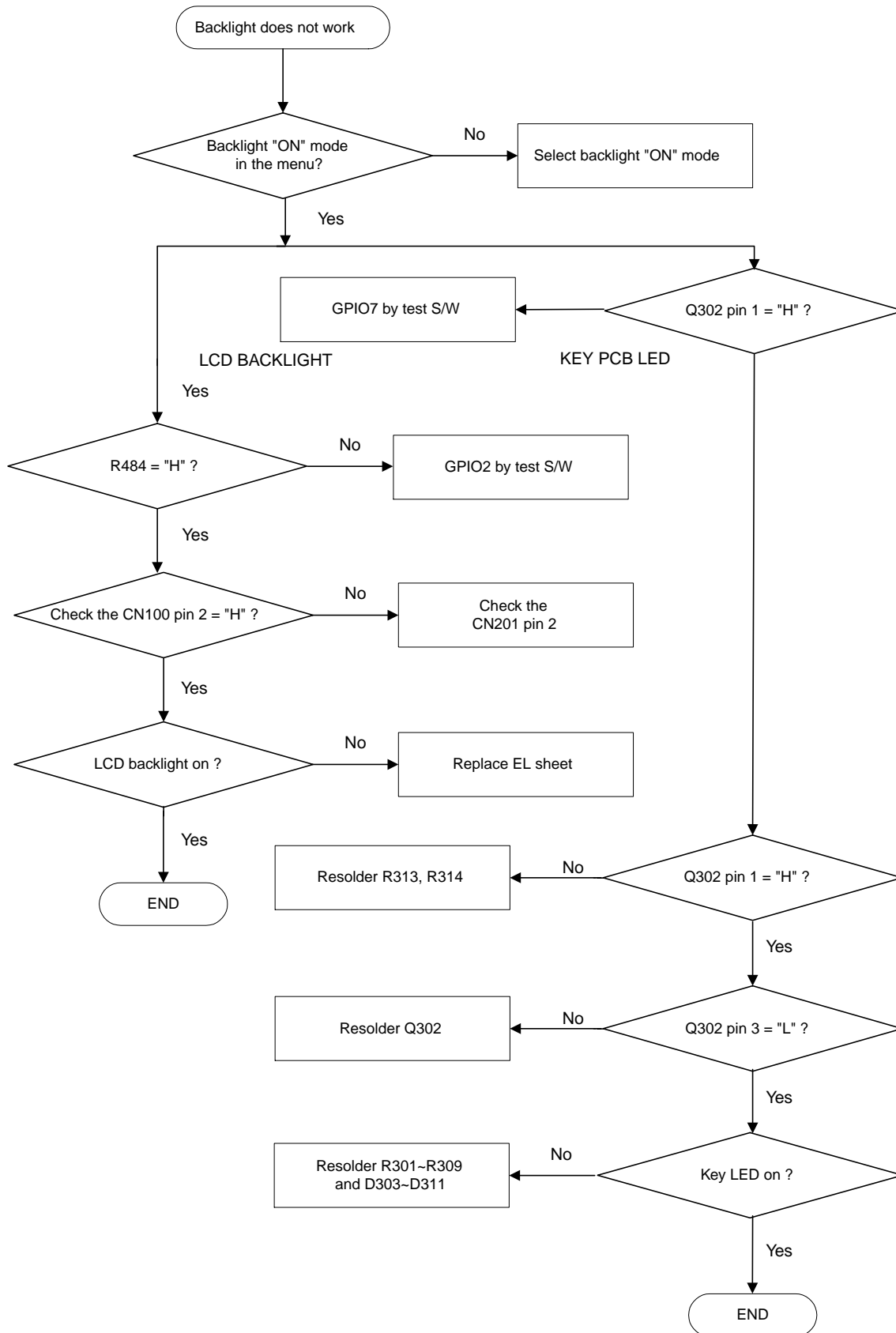
5-9 Ring Indicator



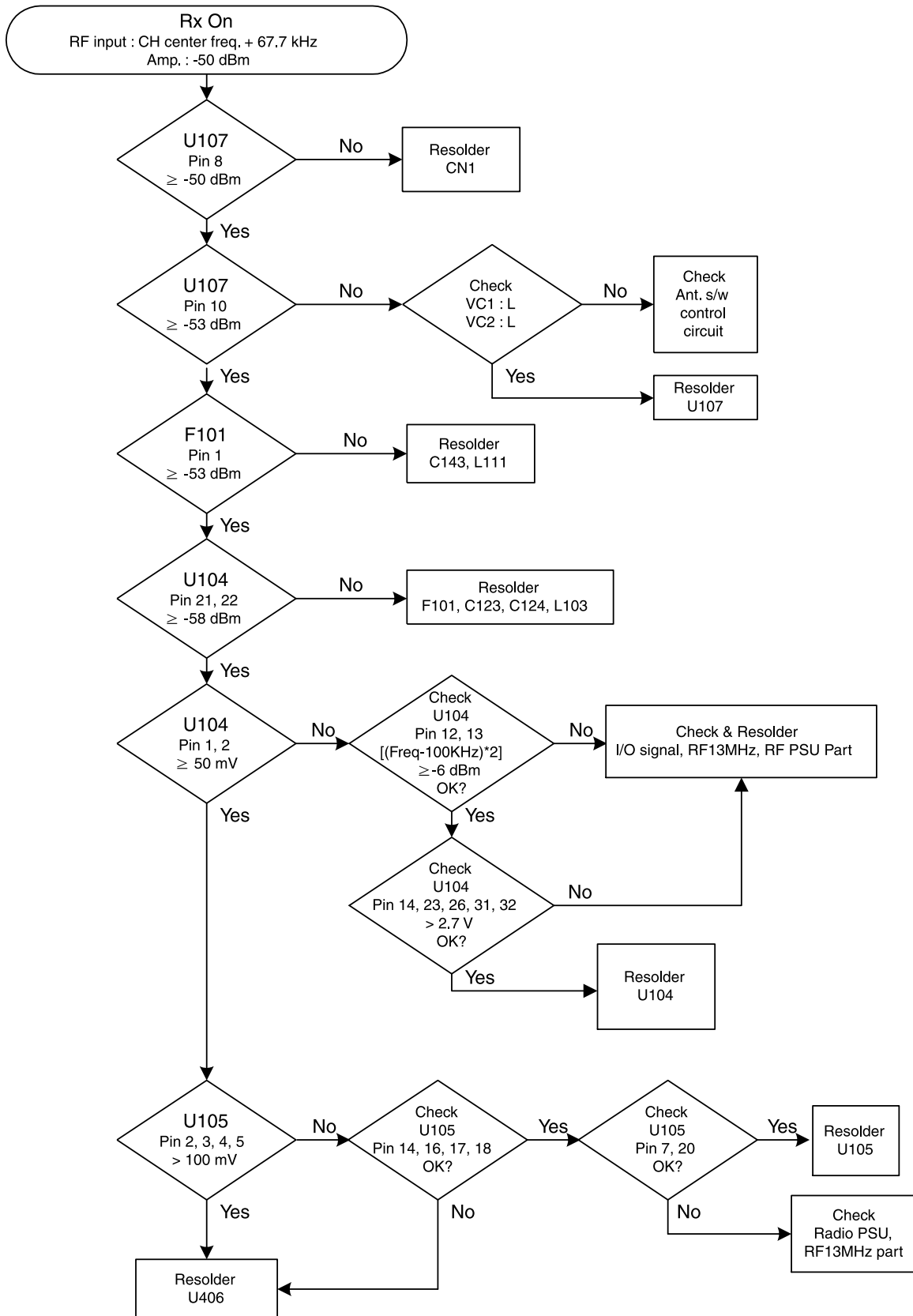
5-10 Back Light (for Color Main LCD)



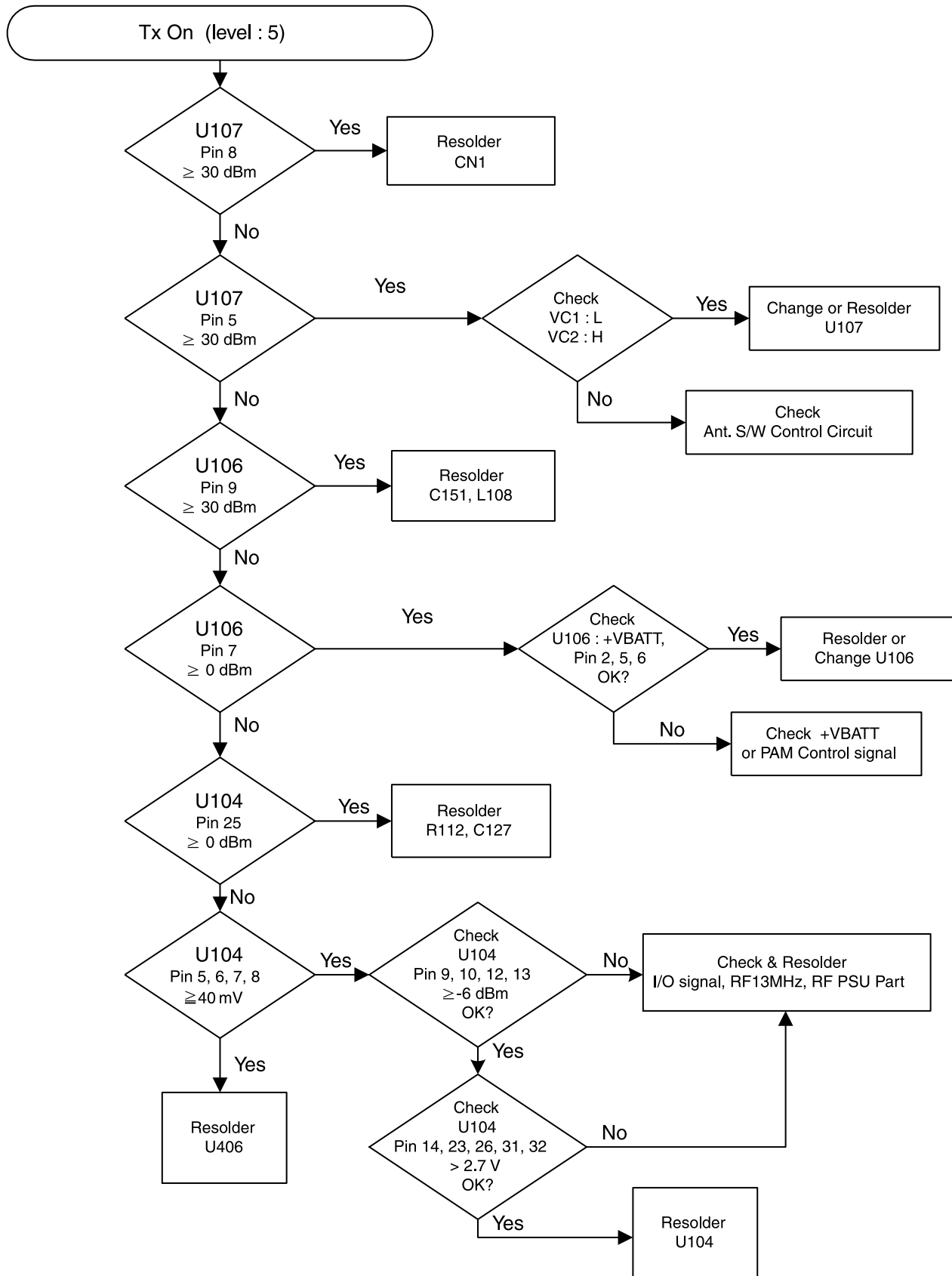
5-11 Back Light (for Sub LCD & Key)



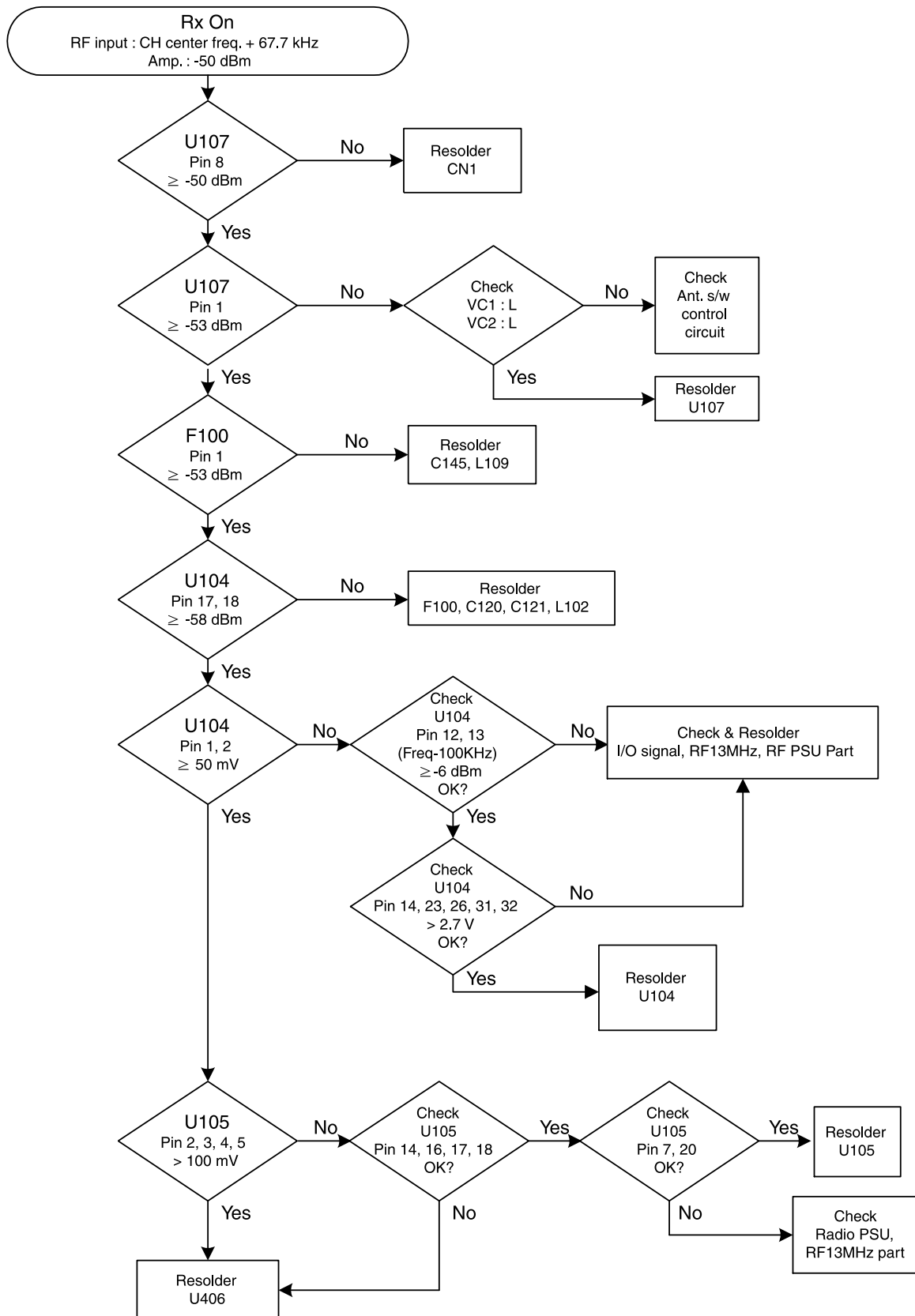
5-12 GSM Receiver



5-13 GSM Transmitter



5-14 DCS Receiver



5-15 DCS Transmitter

