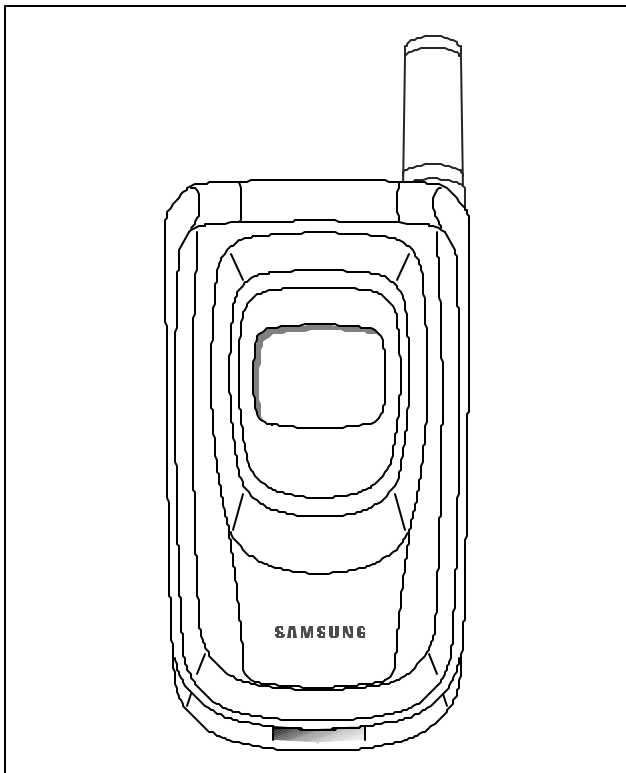


SAMSUNG

GSM TELEPHONE
SGH-T200

SERVICE *Manual*

GSM TELEPHONE



CONTENTS

1. Electrical Parts List
2. Exploded Views and Parts List
3. Block Diagrams
4. PCB Diagrams
5. Flow Chart of Troubleshooting

1. SGH-T200 MAIN Electrical Parts List

Level	SEC Code	Design LOC	Descriptions	
0	SGH-T2000BAXSP			
2	GH71-00434A	ANT1	NPR-ANT CONTACT	SCH-X210, ST, T0.2, -, -
2	4302-001119	BAT1	BATTERY-LI (2ND)	3V, 0.1MAH, -, -, 3.1V, -
2	2203-005509	C101	C-CERAMIC,CHIP	330nF, +80-20%, 10V, Y5V, TP, 1005
2	2203-005503	C102	C-CERAMIC,CHIP	0.18nF, 5%, 25V, NP0, TP, 1005
2	2203-005482	C103	C-CERAMIC,CHIP	100nF, 10%, 10V, X5R, TP, 1005, -
2	2203-000386	C104	C-CERAMIC,CHIP	0.015nF, 5%, 50V, NP0, TP, 1005
2	2203-000438	C106	C-CERAMIC,CHIP	1nF, 10%, 50V, X7R, TP, 1005, -
2	2203-000812	C107	C-CERAMIC,CHIP	0.033nF, 5%, 50V, NP0, TP, 1005
2	2203-005482	C108	C-CERAMIC,CHIP	100nF, 10%, 10V, X5R, TP, 1005, -
2	2203-005065	C109	C-CERAMIC,CHIP	1000nF, +80-20%, 10V, Y5V, TP, 1608
2	2203-000628	C110	C-CERAMIC,CHIP	0.022nF, 5%, 50V, NP0, TP, 1005
2	2203-000812	C111	C-CERAMIC,CHIP	0.033nF, 5%, 50V, NP0, TP, 1005
2	2203-000311	C112	C-CERAMIC,CHIP	0.12nF, 5%, 50V, NP0, TP, 1005
2	2203-005482	C113	C-CERAMIC,CHIP	100nF, 10%, 10V, X5R, TP, 1005, -
2	2203-001124	C114	C-CERAMIC,CHIP	680pF, 10%, 50V, X7R, TP, 1005, -
2	2203-000585	C116	C-CERAMIC,CHIP	220pF, 10%, 50V, X7R, TP, 1005, -
2	2203-000425	C117	C-CERAMIC,CHIP	0.018nF, 5%, 50V, NP0, TP, 1005
2	2301-001419	C118	C-FILM,CHIP	8.2nF, 5%, 16V, TP, 2012, -
2	2203-000812	C119	C-CERAMIC,CHIP	0.033nF, 5%, 50V, NP0, TP, 1005
2	2203-000812	C121	C-CERAMIC,CHIP	0.033nF, 5%, 50V, NP0, TP, 1005
2	2203-000233	C122	C-CERAMIC,CHIP	0.1nF, 5%, 50V, NP0, TP, 1005
2	2203-005482	C123	C-CERAMIC,CHIP	100nF, 10%, 10V, X5R, TP, 1005, -
2	2203-000628	C125	C-CERAMIC,CHIP	0.022nF, 5%, 50V, NP0, TP, 1005
2	2203-000233	C126	C-CERAMIC,CHIP	0.1nF, 5%, 50V, NP0, TP, 1005
2	2203-000812	C127	C-CERAMIC,CHIP	0.033nF, 5%, 50V, NP0, TP, 1005
2	2203-005571	C128	C-CERAMIC,CHIP	10000NF, +80-20%, 6.3V, Y5V, TP, 2012
2	2203-005482	C130	C-CERAMIC,CHIP	100nF, 10%, 10V, X5R, TP, 1005, -
2	2203-000386	C131	C-CERAMIC,CHIP	0.015nF, 5%, 50V, NP0, TP, 1005
2	2203-000278	C132	C-CERAMIC,CHIP	0.01nF, 0.5pF, 50V, NP0, TP, 1005
2	2203-000679	C133	C-CERAMIC,CHIP	0.027nF, 5%, 50V, NP0, TP, 1005
2	2203-000679	C134	C-CERAMIC,CHIP	0.027nF, 5%, 50V, NP0, TP, 1005
2	2203-005482	C135	C-CERAMIC,CHIP	100nF, 10%, 10V, X5R, TP, 1005, -
2	2301-001512	C136	C-FILM,CHIP	3.3NF, 5%, 16V, TP, 2012, -
2	2203-000940	C138	C-CERAMIC,CHIP	470pF, 10%, 50V, X7R, TP, 1005, -
2	2203-000940	C139	C-CERAMIC,CHIP	470pF, 10%, 50V, X7R, TP, 1005, -
2	2203-000812	C140	C-CERAMIC,CHIP	0.033nF, 5%, 50V, NP0, TP, 1005
2	2203-005482	C141	C-CERAMIC,CHIP	100nF, 10%, 10V, X5R, TP, 1005, -
2	2203-002668	C143	C-CERAMIC,CHIP	0.0005nF, 0.1pF, 50V, NP0, TP, 1005
2	2203-000628	C144	C-CERAMIC,CHIP	0.022nF, 5%, 50V, NP0, TP, 1005
2	2203-002668	C145	C-CERAMIC,CHIP	0.0005nF, 0.1pF, 50V, NP0, TP, 1005
2	2203-002668	C146	C-CERAMIC,CHIP	0.0005nF, 0.1pF, 50V, NP0, TP, 1005
2	2203-002677	C149	C-CERAMIC,CHIP	0.75pF, 0.1pF, 50V, CH, TP, 1005, -
2	2203-000812	C150	C-CERAMIC,CHIP	0.033nF, 5%, 50V, NP0, TP, 1005
2	2203-000812	C151	C-CERAMIC,CHIP	0.033nF, 5%, 50V, NP0, TP, 1005

Level	SEC Code	Design LOC	Descriptions	
2	2203-002677	C152	C-CERAMIC,CHIP	0.75pF,0.1pF,50V,CH,TP,1005,-
2	2203-005234	C153	C-CERAMIC,CHIP	0.0012nF,0.25pF,50V,NP0,TP,1005
2	2203-000654	C201	C-CERAMIC,CHIP	270pF,10%,50V,X7R,TP,1005,-
2	2203-001239	C202	C-CERAMIC,CHIP	0.082nF,5%,50V,NP0,TP,1005
2	2203-005571	C203	C-CERAMIC,CHIP	10000NF,+80-20%,6.3V,Y5V,TP,2012
2	2203-000812	C204	C-CERAMIC,CHIP	0.033nF,5%,50V,NP0,TP,1005
2	2203-000812	C205	C-CERAMIC,CHIP	0.033nF,5%,50V,NP0,TP,1005
2	2203-000812	C206	C-CERAMIC,CHIP	0.033nF,5%,50V,NP0,TP,1005
2	2203-000812	C207	C-CERAMIC,CHIP	0.033nF,5%,50V,NP0,TP,1005
2	2203-001383	C208	C-CERAMIC,CHIP	0.0005nF,0.25pF,50V,NP0,TP,1005
2	2203-000278	C210	C-CERAMIC,CHIP	0.01nF,0.5pF,50V,NP0,TP,1005
2	2203-000812	C211	C-CERAMIC,CHIP	0.033nF,5%,50V,NP0,TP,1005
2	2203-000278	C212	C-CERAMIC,CHIP	0.01nF,0.5pF,50V,NP0,TP,1005
2	2203-000812	C213	C-CERAMIC,CHIP	0.033nF,5%,50V,NP0,TP,1005
2	2203-005061	C214	C-CERAMIC,CHIP	100nF,+80-20%,16V,Y5V,TP,1005
2	2404-001105	C216	C-TA,CHIP	10UF,20%,6.3V,GP,TP,2012
2	2203-005061	C220	C-CERAMIC,CHIP	100nF,+80-20%,16V,Y5V,TP,1005
2	2203-005061	C221	C-CERAMIC,CHIP	100nF,+80-20%,16V,Y5V,TP,1005
2	2203-005061	C222	C-CERAMIC,CHIP	100nF,+80-20%,16V,Y5V,TP,1005
2	2203-005571	C223	C-CERAMIC,CHIP	10000NF,+80-20%,6.3V,Y5V,TP,2012
2	2203-005061	C224	C-CERAMIC,CHIP	100nF,+80-20%,16V,Y5V,TP,1005
2	2203-005061	C225	C-CERAMIC,CHIP	100nF,+80-20%,16V,Y5V,TP,1005
2	2203-005061	C226	C-CERAMIC,CHIP	100nF,+80-20%,16V,Y5V,TP,1005
2	2203-005061	C227	C-CERAMIC,CHIP	100nF,+80-20%,16V,Y5V,TP,1005
2	2203-005061	C228	C-CERAMIC,CHIP	100nF,+80-20%,16V,Y5V,TP,1005
2	2203-005061	C229	C-CERAMIC,CHIP	100nF,+80-20%,16V,Y5V,TP,1005
2	2203-005061	C230	C-CERAMIC,CHIP	100nF,+80-20%,16V,Y5V,TP,1005
2	2203-005061	C231	C-CERAMIC,CHIP	100nF,+80-20%,16V,Y5V,TP,1005
2	2203-005061	C232	C-CERAMIC,CHIP	100nF,+80-20%,16V,Y5V,TP,1005
2	2203-005061	C233	C-CERAMIC,CHIP	100nF,+80-20%,16V,Y5V,TP,1005
2	2203-005061	C234	C-CERAMIC,CHIP	100nF,+80-20%,16V,Y5V,TP,1005
2	2203-005061	C235	C-CERAMIC,CHIP	100nF,+80-20%,16V,Y5V,TP,1005
2	2203-005061	C302	C-CERAMIC,CHIP	100nF,+80-20%,16V,Y5V,TP,1005
2	2203-000233	C304	C-CERAMIC,CHIP	0.1nF,5%,50V,NP0,TP,1005
2	2203-000359	C305	C-CERAMIC,CHIP	0.15nF,5%,50V,NP0,TP,1005
2	2203-005061	C306	C-CERAMIC,CHIP	100nF,+80-20%,16V,Y5V,TP,1005
2	2203-005509	C307	C-CERAMIC,CHIP	330nF,+80-20%,10V,Y5V,TP,1005
2	2203-005061	C308	C-CERAMIC,CHIP	100nF,+80-20%,16V,Y5V,TP,1005
2	2203-005482	C309	C-CERAMIC,CHIP	100nF,10%,10V,X5R,TP,1005,-
2	2203-005482	C310	C-CERAMIC,CHIP	100nF,10%,10V,X5R,TP,1005,-
2	2203-000679	C311	C-CERAMIC,CHIP	0.027nF,5%,50V,NP0,TP,1005
2	2203-000679	C312	C-CERAMIC,CHIP	0.027nF,5%,50V,NP0,TP,1005
2	2203-005065	C315	C-CERAMIC,CHIP	1000nF,+80-20%,10V,Y5V,TP,1608
2	2203-005482	C316	C-CERAMIC,CHIP	100nF,10%,10V,X5R,TP,1005,-
2	2203-005482	C317	C-CERAMIC,CHIP	100nF,10%,10V,X5R,TP,1005,-

Level	SEC Code	Design LOC	Descriptions	
2	2203-005482	C320	C-CERAMIC,CHIP	100nF, 10%, 10V, X5R, TP, 1005, -
2	2203-000254	C322	C-CERAMIC,CHIP	10nF, 10%, 16V, X7R, TP, 1005, -
2	2203-005065	C401	C-CERAMIC,CHIP	1000nF, +80-20%, 10V, Y5V, TP, 1608
2	2203-005482	C402	C-CERAMIC,CHIP	100nF, 10%, 10V, X5R, TP, 1005, -
2	2203-005065	C403	C-CERAMIC,CHIP	1000nF, +80-20%, 10V, Y5V, TP, 1608
2	2203-005509	C404	C-CERAMIC,CHIP	330nF, +80-20%, 10V, Y5V, TP, 1005
2	2203-005065	C405	C-CERAMIC,CHIP	1000nF, +80-20%, 10V, Y5V, TP, 1608
2	2203-005509	C406	C-CERAMIC,CHIP	330nF, +80-20%, 10V, Y5V, TP, 1005
2	2203-005065	C407	C-CERAMIC,CHIP	1000nF, +80-20%, 10V, Y5V, TP, 1608
2	2203-005061	C408	C-CERAMIC,CHIP	100nF, +80-20%, 16V, Y5V, TP, 1005
2	2203-000254	C409	C-CERAMIC,CHIP	10nF, 10%, 16V, X7R, TP, 1005, -
2	2203-000438	C410	C-CERAMIC,CHIP	1nF, 10%, 50V, X7R, TP, 1005, -
2	2203-005482	C411	C-CERAMIC,CHIP	100nF, 10%, 10V, X5R, TP, 1005, -
2	2404-001280	C501	C-TA,CHIP	220UF, 20%, 6.3V, LZ, TP, 7132
2	2203-001412	C502	C-CERAMIC,CHIP	0.03nF, 5%, 50V, NP0, TP, 1005
2	2203-001412	C503	C-CERAMIC,CHIP	0.03nF, 5%, 50V, NP0, TP, 1005
2	2203-000812	C504	C-CERAMIC,CHIP	0.033nF, 5%, 50V, NP0, TP, 1005
2	2203-006113	C505	C-CERAMIC,CHIP	0.033NF, 10%, 50V, X7R, -, 2012
2	2203-006113	C506	C-CERAMIC,CHIP	0.033NF, 10%, 50V, X7R, -, 2012
2	2203-006090	C507	C-CERAMIC,CHIP	1000NF, 10%, 6.3V, X5R, TP, 2012
2	2203-000438	C509	C-CERAMIC,CHIP	1nF, 10%, 50V, X7R, TP, 1005, -
2	2203-000812	C510	C-CERAMIC,CHIP	0.033nF, 5%, 50V, NP0, TP, 1005
2	2203-000233	C512	C-CERAMIC,CHIP	0.1nF, 5%, 50V, NP0, TP, 1005
2	2203-000233	C513	C-CERAMIC,CHIP	0.1nF, 5%, 50V, NP0, TP, 1005
2	2203-006113	C514	C-CERAMIC,CHIP	0.033NF, 10%, 50V, X7R, -, 2012
2	2203-006113	C515	C-CERAMIC,CHIP	0.033NF, 10%, 50V, X7R, -, 2012
2	2203-000254	C519	C-CERAMIC,CHIP	10nF, 10%, 16V, X7R, TP, 1005, -
2	2404-001086	C520	C-TA,CHIP	4.7uF, 20%, 6.3V, GP, TP, 2012, -
2	2203-001432	C521	C-CERAMIC,CHIP	47nF, +80-20%, 16V, Y5V, TP, 1005
2	2404-001101	C522	C-TA,CHIP	1uF, 20%, 16V, GP, TP, 2012, -
2	2203-005061	C525	C-CERAMIC,CHIP	100nF, +80-20%, 16V, Y5V, TP, 1005
2	2203-006053	C527	C-CERAMIC,CHIP	1000NF, 10%, 10V, X5R, TP, 1608
2	2404-001151	C530	C-TA,CHIP	33UF, 20%, 6.3V, LZ, TP, 3216
2	2203-000812	C535	C-CERAMIC,CHIP	0.033nF, 5%, 50V, NP0, TP, 1005
2	2203-006053	C536	C-CERAMIC,CHIP	1000NF, 10%, 10V, X5R, TP, 1608
2	2203-000940	C547	C-CERAMIC,CHIP	470pF, 10%, 50V, X7R, TP, 1005, -
2	2203-005509	C549	C-CERAMIC,CHIP	330nF, +80-20%, 10V, Y5V, TP, 1005
2	2203-000438	C598	C-CERAMIC,CHIP	1nF, 10%, 50V, X7R, TP, 1005, -
2	2203-000438	C599	C-CERAMIC,CHIP	1nF, 10%, 50V, X7R, TP, 1005, -
2	2203-005061	C601	C-CERAMIC,CHIP	100nF, +80-20%, 16V, Y5V, TP, 1005
2	2203-000278	C602	C-CERAMIC,CHIP	0.01nF, 0.5pF, 50V, NP0, TP, 1005
2	2203-000254	C603	C-CERAMIC,CHIP	10nF, 10%, 16V, X7R, TP, 1005, -
2	2203-005509	C604	C-CERAMIC,CHIP	330nF, +80-20%, 10V, Y5V, TP, 1005
2	2203-000654	C605	C-CERAMIC,CHIP	270pF, 10%, 50V, X7R, TP, 1005, -
2	2203-001405	C606	C-CERAMIC,CHIP	22nF, +80-20%, 25V, Y5V, TP, 1005

Level	SEC Code	Design LOC	Descriptions	
2	2203-005061	C607	C-CERAMIC,CHIP	100nF,+80-20%,16V,Y5V,TP,1005
2	2203-005061	C608	C-CERAMIC,CHIP	100nF,+80-20%,16V,Y5V,TP,1005
2	2203-000438	C609	C-CERAMIC,CHIP	1nF,10%,50V,X7R,TP,1005,-
2	2203-005061	C610	C-CERAMIC,CHIP	100nF,+80-20%,16V,Y5V,TP,1005
2	2203-005509	C611	C-CERAMIC,CHIP	330nF,+80-20%,10V,Y5V,TP,1005
2	2404-001151	C612	C-TA,CHIP	33UF,20%,6.3V,LZ,TP,3216
2	2203-000812	C613	C-CERAMIC,CHIP	0.033nF,5%,50V,NP0,TP,1005
2	2404-001151	C614	C-TA,CHIP	33UF,20%,6.3V,LZ,TP,3216
2	2203-005061	C615	C-CERAMIC,CHIP	100nF,+80-20%,16V,Y5V,TP,1005
2	2203-000812	C616	C-CERAMIC,CHIP	0.033nF,5%,50V,NP0,TP,1005
2	2203-006053	C618	C-CERAMIC,CHIP	1000NF,10%,10V,X5R,TP,1608
2	2203-006053	C619	C-CERAMIC,CHIP	1000NF,10%,10V,X5R,TP,1608
2	2203-005144	C620	C-CERAMIC,CHIP	1000nF,10%,10V,X7R,TP,2012
2	2203-000812	C621	C-CERAMIC,CHIP	0.033nF,5%,50V,NP0,TP,1005
2	3705-001226	CN101	CONNECTOR-COAXIAL	MCX,JACK,75MOHM,50OHM,0.45DB
2	3709-001187	CN401	CONNECTOR-CARD EDGE	6P,2.54MM,SMD-A,-
2	3710-001673	CN501	CONNECTOR-SOCKET	18P,1R,0.5mm,SMD-A,AUF
2	3711-005078	CN502	CONNECTOR-HEADER	NOWALL,34P,2R,0.4MM,SMD-S,AU,BLK
2	3722-001456	CN601	JACK-PHONE	2P,2.6PI,AUF,BLK,-
2	0404-001189	D101	DIODE-SCHOTTKY	HMPS-2825,15V,1MA,MINIPAK,TP
2	0401-001033	D301	DIODE-SWITCHING	MCL4154,25V,200mA,M-MELF,TP
2	2703-002268	L101	INDUCTOR-SMD	8.2NH,10%,1.0X0.5X0.5MM
2	2703-002309	L102	INDUCTOR-SMD	82NH,5%,1.0X0.5X0.5MM
2	2703-002198	L103	INDUCTOR-SMD	10NH,5%,1.0X0.5X0.5MM
2	2703-002324	L104	INDUCTOR-SMD	10NH,5%,1.6X0.8X0.8MM
2	2703-002527	L105	INDUCTOR-SMD	1.5NH,0.3NH,1.6X0.8X0.8MM
2	2703-001229	L201	INDUCTOR-SMD	2.2uH,10%,1.6x0.8x0.8mm
2	2703-002451	L601	INDUCTOR-SMD	270NH,10%,1608
2	0604-001146	LED301	PHOTO-IRDA	-,875NM,500MW,30DEG,TP
2	0601-001602	LED504	LED	CHIP,BLUE,1.1X0.8MM,472.5NM
2	0601-001602	LED505	LED	CHIP,BLUE,1.1X0.8MM,472.5NM
2	0601-001602	LED506	LED	CHIP,BLUE,1.1X0.8MM,472.5NM
2	0601-001602	LED508	LED	CHIP,BLUE,1.1X0.8MM,472.5NM
2	0601-001602	LED509	LED	CHIP,BLUE,1.1X0.8MM,472.5NM
2	0601-001602	LED510	LED	CHIP,BLUE,1.1X0.8MM,472.5NM
2	0601-001602	LED511	LED	CHIP,BLUE,1.1X0.8MM,472.5NM
2	0601-001602	LED512	LED	CHIP,BLUE,1.1X0.8MM,472.5NM
2	0601-001602	LED513	LED	CHIP,BLUE,1.1X0.8MM,472.5NM
2	0601-001602	LED518	LED	CHIP,BLUE,1.1X0.8MM,472.5NM
2	0601-001602	LED519	LED	CHIP,BLUE,1.1X0.8MM,472.5NM
2	0601-001602	LED520	LED	CHIP,BLUE,1.1X0.8MM,472.5NM
2	0601-001602	LED521	LED	CHIP,BLUE,1.1X0.8MM,472.5NM
2	2801-004191	OSC201	CRYSTAL-SMD	19.5MHZ,10PPM,-,8.25PF,30OHM,TP
2	2801-003856	OSC301	CRYSTAL-SMD	0.032768MHZ,20PPM,28-ACP,7PF,65KOHM,TP
2	GH41-00335A	PCB	PCB-SGHT200	SGH-T200,FR-3,8L,-,1.0T,100X158,-,-,-,-

Level	SEC Code	Design LOC	Descriptions	
2	0505-001464	Q201	FET-SILICON	SI1305DL, P, 8V, 0.86A, 0.28ohm, 0.26W, SOT-3
2	0501-000225	Q202	TR-SMALL SIGNAL	2SC4617, NPN, 200mW, EM3, TP, 120-5
2	0505-001121	Q401	FET-GAAS	3441, 20V, +-8V, 3.3A, 2000mW, TSOP-6, TP
2	0501-002356	Q503	TR-SMALL SIGNAL	-, NPN, 250MW, SOT-323, TP, 250-630
2	0501-000162	Q505	TR-SMALL SIGNAL	2SA1576, PNP, 200MW, SOT-323, TP, 180-390
2	0504-000167	Q506	TR-DIGITAL	RN1102, NPN, 100MW, 10K/10K, SSM, TP
2	0504-001012	Q511	TR-DIGITAL	DTC114YE, NPN, 150MW, 10K/47K, EMT3, TP
2	2007-000172	R101	R-CHIP	10ohm, 5%, 1/16W, DA, TP, 1005
2	2007-007142	R102	R-CHIP	10Kohm, 1%, 1/16W, DA, TP, 1005
2	2007-000172	R104	R-CHIP	10ohm, 5%, 1/16W, DA, TP, 1005
2	2007-000139	R105	R-CHIP	220ohm, 5%, 1/16W, DA, TP, 1005
2	2007-007142	R106	R-CHIP	10Kohm, 1%, 1/16W, DA, TP, 1005
2	2007-007142	R107	R-CHIP	10Kohm, 1%, 1/16W, DA, TP, 1005
2	2007-000172	R111	R-CHIP	10ohm, 5%, 1/16W, DA, TP, 1005
2	2007-001305	R112	R-CHIP	120ohm, 5%, 1/16W, DA, TP, 1005
2	2007-007142	R113	R-CHIP	10Kohm, 1%, 1/16W, DA, TP, 1005
2	2007-007142	R114	R-CHIP	10Kohm, 1%, 1/16W, DA, TP, 1005
2	2007-007142	R115	R-CHIP	10Kohm, 1%, 1/16W, DA, TP, 1005
2	2007-000982	R116	R-CHIP	5.6Kohm, 5%, 1/16W, DA, TP, 1005
2	2007-001298	R117	R-CHIP	51ohm, 5%, 1/16W, DA, TP, 1005
2	2007-000137	R119	R-CHIP	2Kohm, 5%, 1/16W, DA, TP, 1005
2	2007-007142	R121	R-CHIP	10Kohm, 1%, 1/16W, DA, TP, 1005
2	2007-007142	R122	R-CHIP	10Kohm, 1%, 1/16W, DA, TP, 1005
2	2007-000145	R123	R-CHIP	6.2Kohm, 5%, 1/16W, DA, TP, 1005
2	2007-007771	R124	R-CHIP	00HM, 5%, 1/16W, DA, TP, 1005
2	2007-007142	R125	R-CHIP	10Kohm, 1%, 1/16W, DA, TP, 1005
2	2007-008117	R126	R-CHIP	2.7Kohm, 1%, 1/16W, DA, TP, 1005
2	2007-000172	R127	R-CHIP	10ohm, 5%, 1/16W, DA, TP, 1005
2	2007-000172	R128	R-CHIP	10ohm, 5%, 1/16W, DA, TP, 1005
2	2007-000172	R129	R-CHIP	10ohm, 5%, 1/16W, DA, TP, 1005
2	2007-001298	R130	R-CHIP	51ohm, 5%, 1/16W, DA, TP, 1005
2	2007-007319	R131	R-CHIP	390ohm, 1%, 1/16W, DA, TP, 1005
2	2007-007564	R132	R-CHIP	510ohm, 1%, 1/16W, DA, TP, 1005
2	2007-007008	R133	R-CHIP	3000HM, 5%, 1/16W, DA, TP, 1005
2	2007-000172	R134	R-CHIP	10ohm, 5%, 1/16W, DA, TP, 1005
2	2007-001156	R135	R-CHIP	750ohm, 5%, 1/16W, DA, TP, 1005
2	2007-007134	R136	R-CHIP	39Kohm, 1%, 1/16W, DA, TP, 1005
2	2007-000172	R137	R-CHIP	10ohm, 5%, 1/16W, DA, TP, 1005
2	2007-000070	R138	R-CHIP	0ohm, 5%, 1/16W, DA, TP, 1608
2	2007-001298	R139	R-CHIP	51ohm, 5%, 1/16W, DA, TP, 1005
2	2007-007771	R140	R-CHIP	00HM, 5%, 1/16W, DA, TP, 1005
2	2007-000140	R201	R-CHIP	1Kohm, 5%, 1/16W, DA, TP, 1005
2	2007-000775	R202	R-CHIP	33Kohm, 5%, 1/16W, DA, TP, 1005
2	2007-007771	R203	R-CHIP	00HM, 5%, 1/16W, DA, TP, 1005
2	2007-007092	R204	R-CHIP	1.1KOHM, 5%, 1/16W, DA, TP, 1005

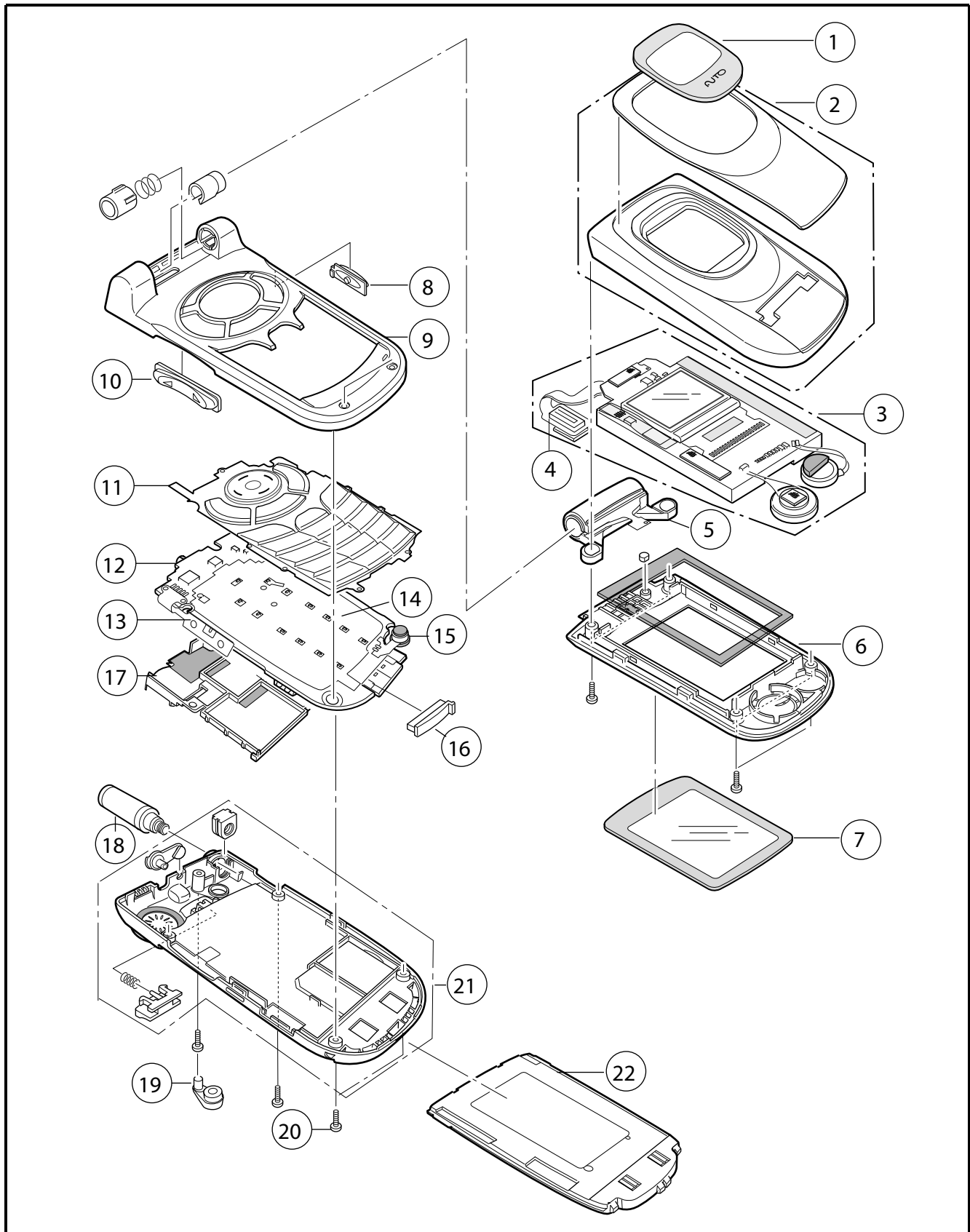
Level	SEC Code	Design LOC	Descriptions	
2	2007-007771	R205	R-CHIP	00HM, 5%, 1/16W, DA, TP, 1005
2	2007-008275	R206	R-CHIP	30KOHM, 1%, 1/16W, DA, TP, 1005
2	2007-000141	R209	R-CHIP	2.2Kohm, 5%, 1/16W, DA, TP, 1005
2	2007-000162	R216	R-CHIP	100Kohm, 5%, 1/16W, DA, TP, 1005
2	2007-000758	R217	R-CHIP	330Kohm, 5%, 1/16W, DA, TP, 1005
2	2007-000162	R218	R-CHIP	100Kohm, 5%, 1/16W, DA, TP, 1005
2	2007-000164	R220	R-CHIP	150Kohm, 5%, 1/16W, DA, TP, 1005
2	2007-007014	R301	R-CHIP	51KOHM, 5%, 1/16W, DA, TP, 1005
2	2007-007771	R302	R-CHIP	00HM, 5%, 1/16W, DA, TP, 1005
2	2007-000140	R304	R-CHIP	1Kohm, 5%, 1/16W, DA, TP, 1005
2	2007-001290	R305	R-CHIP	24ohm, 5%, 1/16W, DA, TP, 1005
2	2007-000170	R306	R-CHIP	1Mohm, 5%, 1/16W, DA, TP, 1005
2	2007-007771	R307	R-CHIP	00HM, 5%, 1/16W, DA, TP, 1005
2	2007-000138	R310	R-CHIP	100ohm, 5%, 1/16W, DA, TP, 1005
2	2007-000169	R312	R-CHIP	510Kohm, 5%, 1/16W, DA, TP, 1005
2	2007-000148	R401	R-CHIP	10Kohm, 5%, 1/16W, DA, TP, 1005
2	2007-000143	R402	R-CHIP	4.7Kohm, 5%, 1/16W, DA, TP, 1005
2	2007-000143	R403	R-CHIP	4.7Kohm, 5%, 1/16W, DA, TP, 1005
2	2007-007771	R404	R-CHIP	00HM, 5%, 1/16W, DA, TP, 1005
2	2007-001325	R405	R-CHIP	3.3Kohm, 5%, 1/16W, DA, TP, 1005
2	2007-007771	R416	R-CHIP	00HM, 5%, 1/16W, DA, TP, 1005
2	2007-007771	R460	R-CHIP	00HM, 5%, 1/16W, DA, TP, 1005
2	2007-000174	R501	R-CHIP	47ohm, 5%, 1/16W, DA, TP, 1005
2	2007-000140	R502	R-CHIP	1Kohm, 5%, 1/16W, DA, TP, 1005
2	2007-007480	R503	R-CHIP	130Kohm, 1%, 1/16W, DA, TP, 1005
2	2007-000140	R518	R-CHIP	1Kohm, 5%, 1/16W, DA, TP, 1005
2	2007-000174	R519	R-CHIP	47ohm, 5%, 1/16W, DA, TP, 1005
2	2007-000140	R523	R-CHIP	1Kohm, 5%, 1/16W, DA, TP, 1005
2	2007-000148	R529	R-CHIP	10Kohm, 5%, 1/16W, DA, TP, 1005
2	2007-000142	R530	R-CHIP	2.7Kohm, 5%, 1/16W, DA, TP, 1005
2	2007-000140	R547	R-CHIP	1Kohm, 5%, 1/16W, DA, TP, 1005
2	2007-000172	R549	R-CHIP	10ohm, 5%, 1/16W, DA, TP, 1005
2	2007-000172	R550	R-CHIP	10ohm, 5%, 1/16W, DA, TP, 1005
2	2007-000172	R551	R-CHIP	10ohm, 5%, 1/16W, DA, TP, 1005
2	2007-000172	R552	R-CHIP	10ohm, 5%, 1/16W, DA, TP, 1005
2	2007-000172	R553	R-CHIP	10ohm, 5%, 1/16W, DA, TP, 1005
2	2007-007092	R602	R-CHIP	1.1KOHM, 5%, 1/16W, DA, TP, 1005
2	2007-000159	R603	R-CHIP	56Kohm, 5%, 1/16W, DA, TP, 1005
2	2007-000156	R604	R-CHIP	30Kohm, 5%, 1/16W, DA, TP, 1005
2	2007-000156	R605	R-CHIP	30Kohm, 5%, 1/16W, DA, TP, 1005
2	2007-000156	R606	R-CHIP	30Kohm, 5%, 1/16W, DA, TP, 1005
2	2007-001325	R607	R-CHIP	3.3Kohm, 5%, 1/16W, DA, TP, 1005
2	2007-008117	R609	R-CHIP	2.7Kohm, 1%, 1/16W, DA, TP, 1005
2	2007-000140	R610	R-CHIP	1Kohm, 5%, 1/16W, DA, TP, 1005
2	2007-000142	R611	R-CHIP	2.7Kohm, 5%, 1/16W, DA, TP, 1005

Level	SEC Code	Design LOC	Descriptions	
2	2007-000566	R613	R-CHIP	220Kohm, 5%, 1/16W, DA, TP, 1005
2	2007-001292	R614	R-CHIP	33ohm, 5%, 1/16W, DA, TP, 1005
2	2007-000140	R616	R-CHIP	1Kohm, 5%, 1/16W, DA, TP, 1005
2	2007-001339	R618	R-CHIP	180Kohm, 5%, 1/16W, DA, TP, 1005
2	2007-007771	R619	R-CHIP	00HM, 5%, 1/16W, DA, TP, 1005
2	2007-007200	R620	R-CHIP	2.40HM, 5%, 1/16W, DA, TP, 1005
2	2909-001186	U100	FILTER-DUPLEXER	942.5MHZ, 897.5MHZ, 4.0/1.1DB, TP, 905-915MHZ/25DB, -
2	1201-001926	U101	IC-OP AMP	LMV722, LLP, TP, 8P, 2.5X3MM, DUAL, 87DB, PLASTIC, 5V, -, -40TO+85C, 89DB, 5.25V/US, 25NA, 2
2	1205-002218	U102	IC-TRANSCEIVER	CX74017, LGA, 64P, 9X9MM, PLASTIC, 3.3V, 600MW, -20TO+85C, TP, -
2	1201-001927	U103	IC-POWER AMP	CX77304, LGA, 16P, 9.1X11.6MM, -, -, PLASTIC, 4.8V, -, -20TO+100C, -, -, -, -
2	4709-001144	U104	COUPLER-DIRECTION	897.5/1747.5MHZ, 19DB/14DB, 24DB, 2X1.25X0.95, TP
2	1204-002033	U201	IC-IF CIRCUIT	CX20505, CABGA, 104P, 10X10MM, PLASTIC, 4.8V, -, -40TO+85C, TP, -
2	1009-001010	U301	IC-HALL EFFECT S/W	A3212ELH-SAMSUNG, SC-59A, 3P, 82MIL, TP, BICMOS, PLASTIC, 3.5V, 2MA, -40TO+85C, -, -, -, 34OK
2	1205-002219	U302	IC-DATA COMM./GEN.	CX80501, UBGA, 160P, 12X12MM, PLASTIC, 3.6V, -, -35TO+85C, TR, BASEBAND PROCESSOR
2	1109-001242	U303	IC-ETC. MEMORY	LRS1395, 4MX16/4MX16/1MX16BIT, CSP, 72P, 11X8MM, 70NS, 3V, 10%, PLASTIC, -20TO+85C, 50UA
2	1103-001185	U304	IC-EEPROM	24A2561, 32Kx8Bit, TSSOP, 8P, -, -, 1.8V, -, PLASTIC, -25to+70C, 1uA, CMOS, TR
2	0801-002294	U307	IC-CMOS LOGIC	7SH08, AND GATE, SSOP, 5P, 50MIL, S
2	1203-002689	U308	IC-POSIFIXED REG.	S-817, SC-82AB, 4P, 2X1.25MM, -, 2.45/2.55V, 150MW, -40TO+85C, 35MA, -, TP
2	1203-002688	U310	IC-POSIFIXED REG.	S-817, SC-82AB, 4P, 2X1.25MM, -, 3.234/3.366V, 150MW, -40TO+85C, 50MA, -, TP
2	1203-002691	U401	IC-POWER SUPERVISOR	CX20460, LGA, 48P, 7X7MM, PLASTIC, 3.15/4.5V, 1613MW, -40TO+85C, 130MA, -, TP
2	0506-001052	U503	TR-ARRAY	UMH9N, NPN, 2, 150MW, SC-88, TP, 68-
2	1003-001519	U504	IC-MOTOR DRIVER	LB1938T, MSOP-8, 8P, 119MIL, -, 100MA, TP, -, 10V, -30TO+85C, 400MW, 0.15V, -
2	1203-002054	U518	IC-VOLTAGE REGULATOR	5245, SOT-23-5, 5P, 64MIL, PLASTIC, 2.94/3.06V, -, -40to+125C, 100uA, -, TP
2	1203-002583	U519	IC-VOLTAGE REGULATOR	MI C5219-3.3BMM, MSOP, 8P, 118MIL, PLASTIC, 3.3/+3.3V, -, -40TO+125C, 500MA, -, TP
2	1204-001811	U603	IC-MELODY	YMU759-QE2, QFN, 32P, -, PLASTIC, 6V, -, -20TO+85C, TP, -

Level	SEC Code	Design LOC	Descriptions	
2	0504-001071	U607	TR-DIGITAL	UMD9N, NPN/PNP, 150mW, 4.7, UMT6, TP
2	0801-002774	U615	IC-CMOS LOGIC	TC7MA138FK, 3T08DECORDER, VSSOP, 16P, 118MIL, SINGLE, TP, PLASTIC, -, -, -, -40TO+85C, 180
2	0801-002294	U616	IC-CMOS LOGIC	7SH08, AND GATE, SSOP, 5P, 50MIL, S
2	1405-001082	V501	VARISTOR	5.6V, 20A, 1x0.5x0.6mm, TP
2	1405-001082	V502	VARISTOR	5.6V, 20A, 1x0.5x0.6mm, TP
2	1405-001082	V503	VARISTOR	5.6V, 20A, 1x0.5x0.6mm, TP
2	1405-001082	V504	VARISTOR	5.6V, 20A, 1x0.5x0.6mm, TP
2	1405-001082	V505	VARISTOR	5.6V, 20A, 1x0.5x0.6mm, TP
2	1405-001082	V506	VARISTOR	5.6V, 20A, 1x0.5x0.6mm, TP
2	1405-001082	V507	VARISTOR	5.6V, 20A, 1x0.5x0.6mm, TP
2	1405-001082	V508	VARISTOR	5.6V, 20A, 1x0.5x0.6mm, TP
2	1405-001093	V509	VARISTOR	14V, 20A, 1x0.5x0.6mm, TP
2	1405-001082	V525	VARISTOR	5.6V, 20A, 1x0.5x0.6mm, TP
2	1405-001082	V526	VARISTOR	5.6V, 20A, 1x0.5x0.6mm, TP
2	1405-001093	V527	VARISTOR	14V, 20A, 1x0.5x0.6mm, TP
2	1405-001082	V528	VARISTOR	5.6V, 20A, 1x0.5x0.6mm, TP
2	1405-001082	V614	VARISTOR	5.6V, 20A, 1x0.5x0.6mm, TP
2	1405-001082	V615	VARISTOR	5.6V, 20A, 1x0.5x0.6mm, TP
2	0404-001157	ZD401	DIODE-SCHOTTKY	RB160M-30, 30V, 1000MA, SOD-323, TR
2	0406-001104	ZD501	DIODE-TVS	ESDA6V1-5W6, 6.1/-/7.2V, 100W, SOT-323-6L
2	0406-001104	ZD506	DIODE-TVS	ESDA6V1-5W6, 6.1/-/7.2V, 100W, SOT-323-6L

2. SGH-T200 Exploded View and its Parts list

1. Cellular phone Exploded View



2. Cellular phone Parts list

Location NO.	Description	SEC CODE	Remark
1	DUAL WINDOW LCD	GH72 - 03997B	
2	FOLDER UPPER	GH75 - 01788C	
3	LCD	GH07 - 00183A	
4	CON FPCB	GH59 - 00479A	
5	MOT FPCB	GH59 - 00503A	
6	FOLDER LOWER	GH75 - 01787A	
7	LCD WINDOW	GH72 - 03996A	
8	AUTO KEY	GH75 - 01791A	
9	FRONT COVER	GH75 - 01786A	
10	VOLUME KEY	GH75 - 01792A	
11	KEYPAD	GH75 - 01798C	
12	MAIN PBA	GH92 - 01387A	
13	V/KEY ASS'Y	GH59 - 00462A	
14	METAL DOME SHEET	GH59 - 00370A	
15	MIC ASS'Y	GH59 - 00536A	
16	I/F COVER	GH73 - 00741L	
17	SHIELD CAN	GH75 - 02716A	
18	ANTENNA	GH42 - 00202A	
19	SCREW RF DUMMY	GH73 - 01077A	
20	SCREW	6001 - 001155	
21	REAR COVER	GH75 - 01790A	
22	BATTERY	GH43 - 00679A	700mA
		GH43 - 00680A	900mA

3. Test Jig (GH80-00585A)



3-1. Test Jig Cable (GH39-00096A)

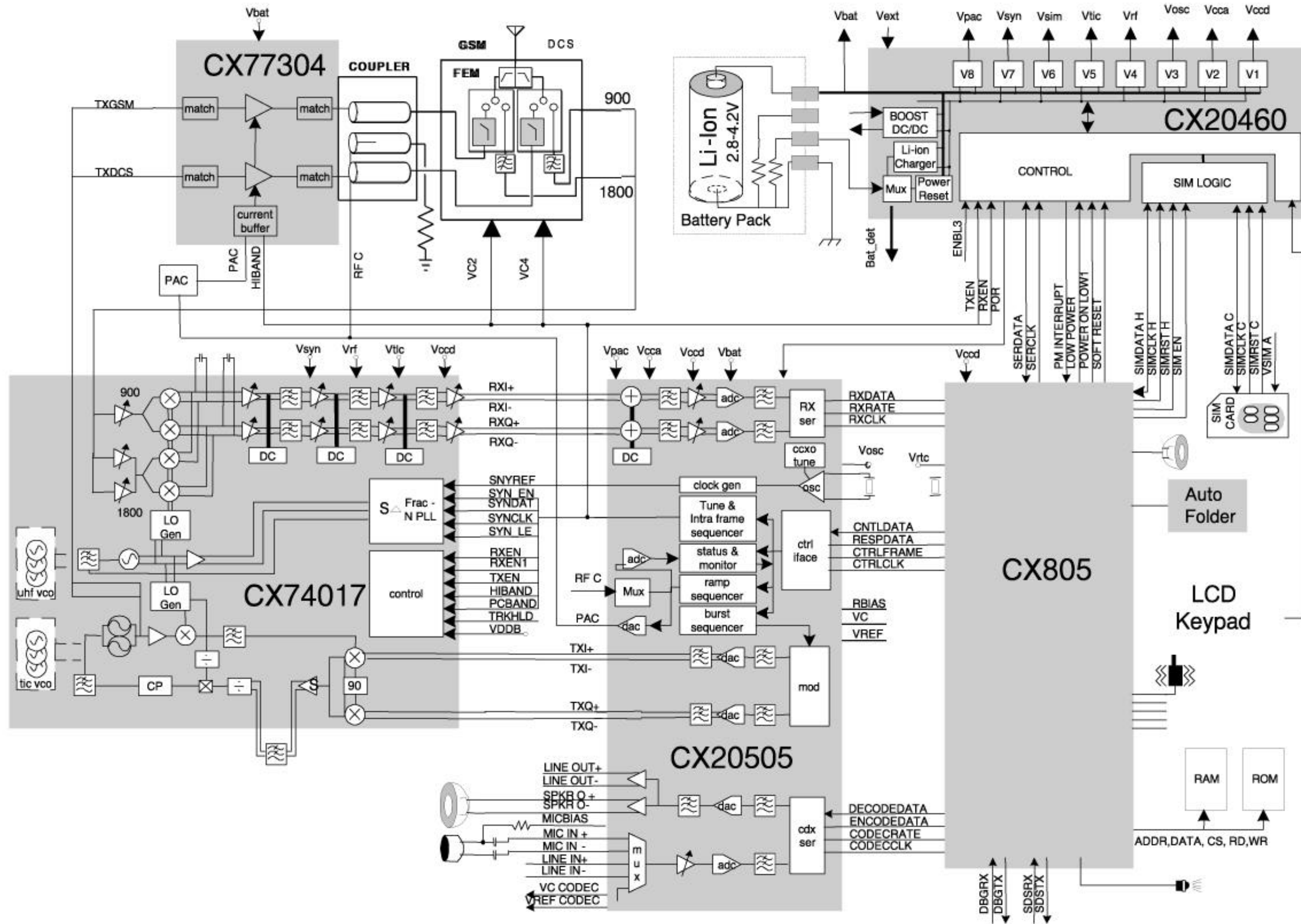


3-2. RF Jig Cable (GH39-00140A)

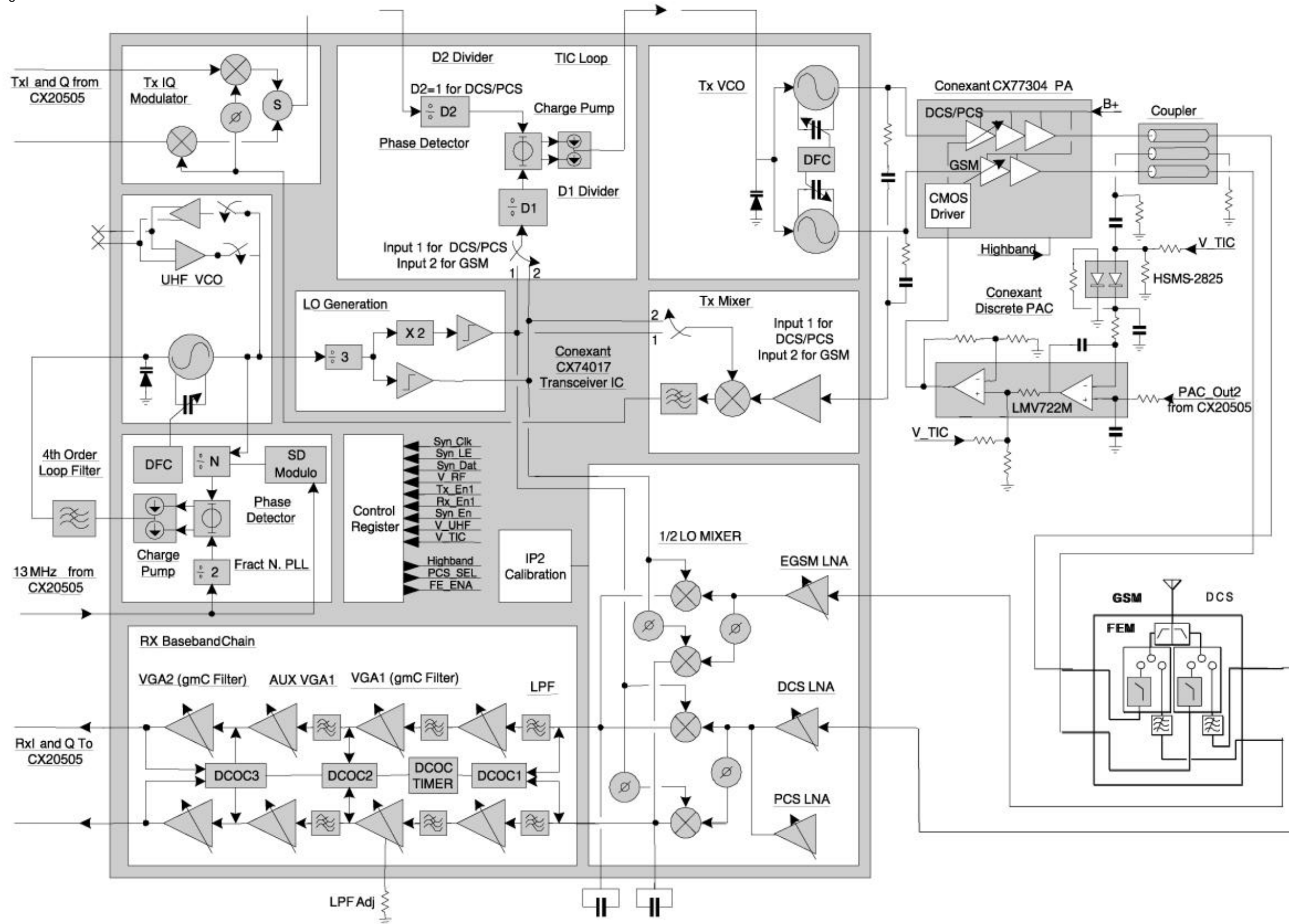


3. SGH-T200 Block Diagrams

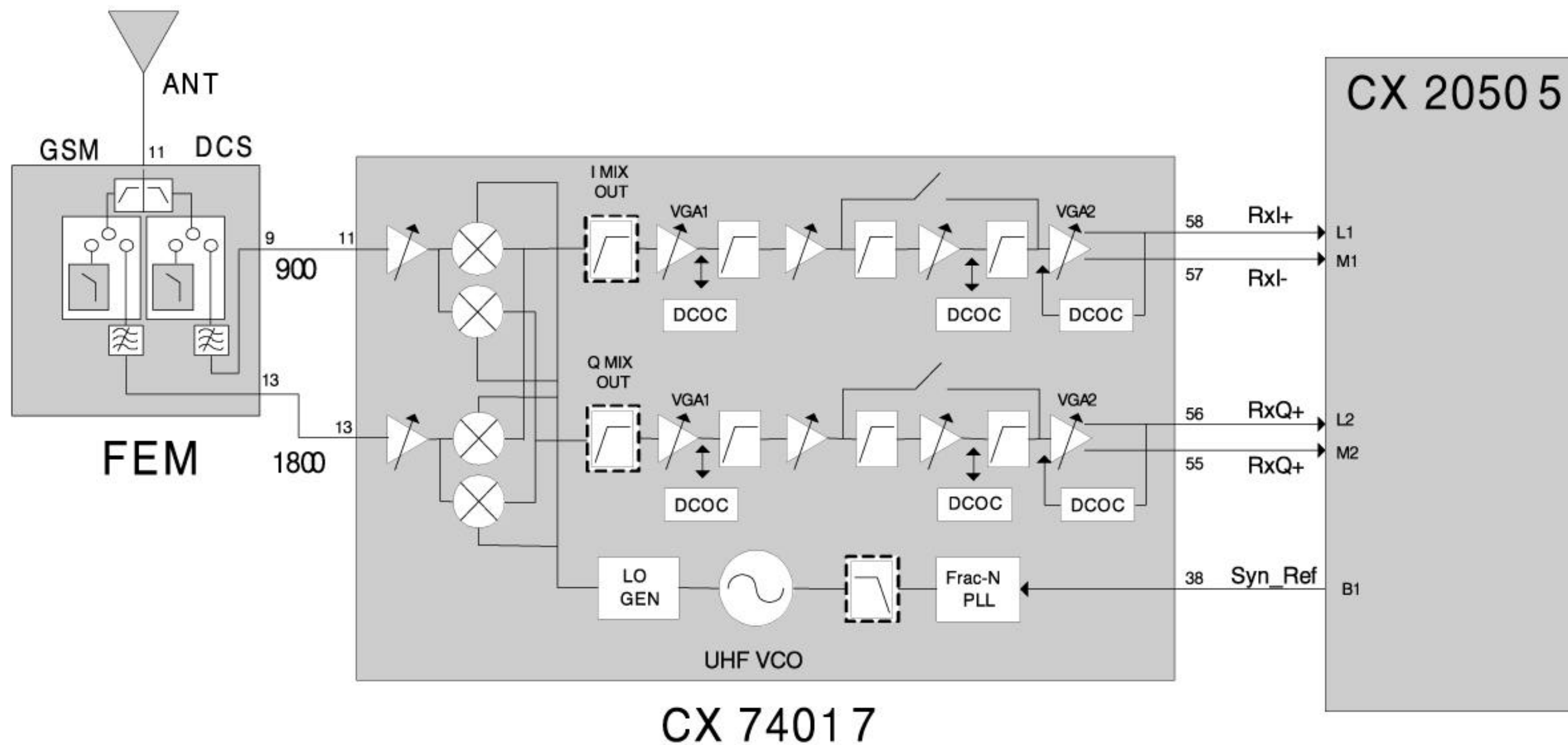
1. Block Diagram



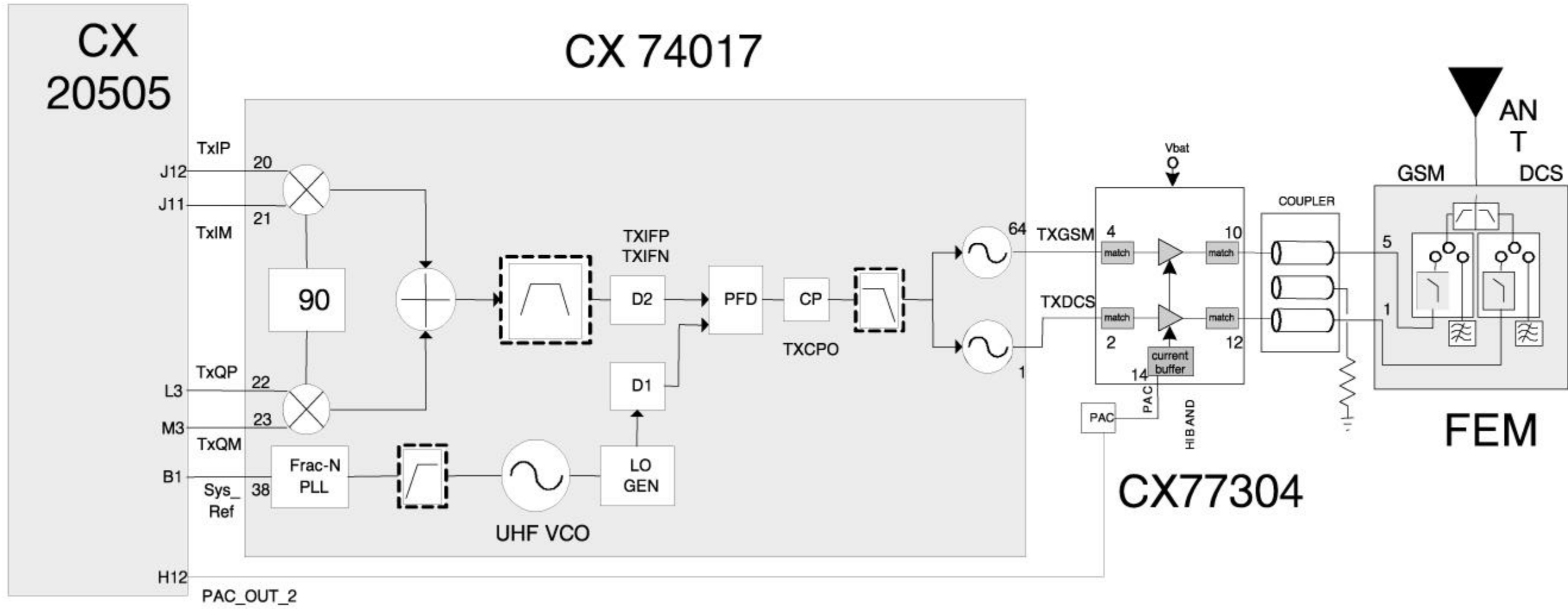
2. RF Block Diagram



3. Receive Block Diagram

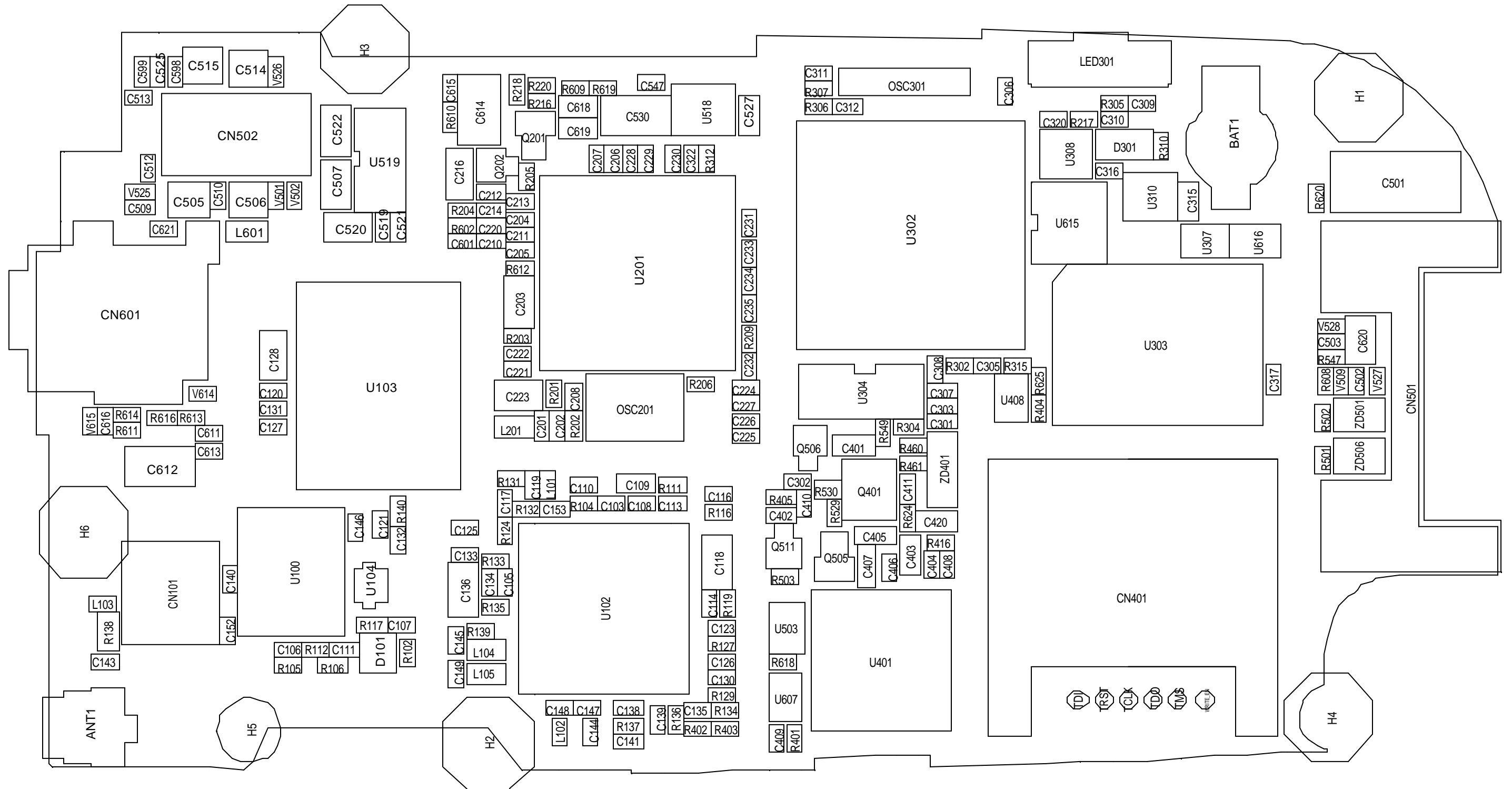


4. Transmit Block Diagram



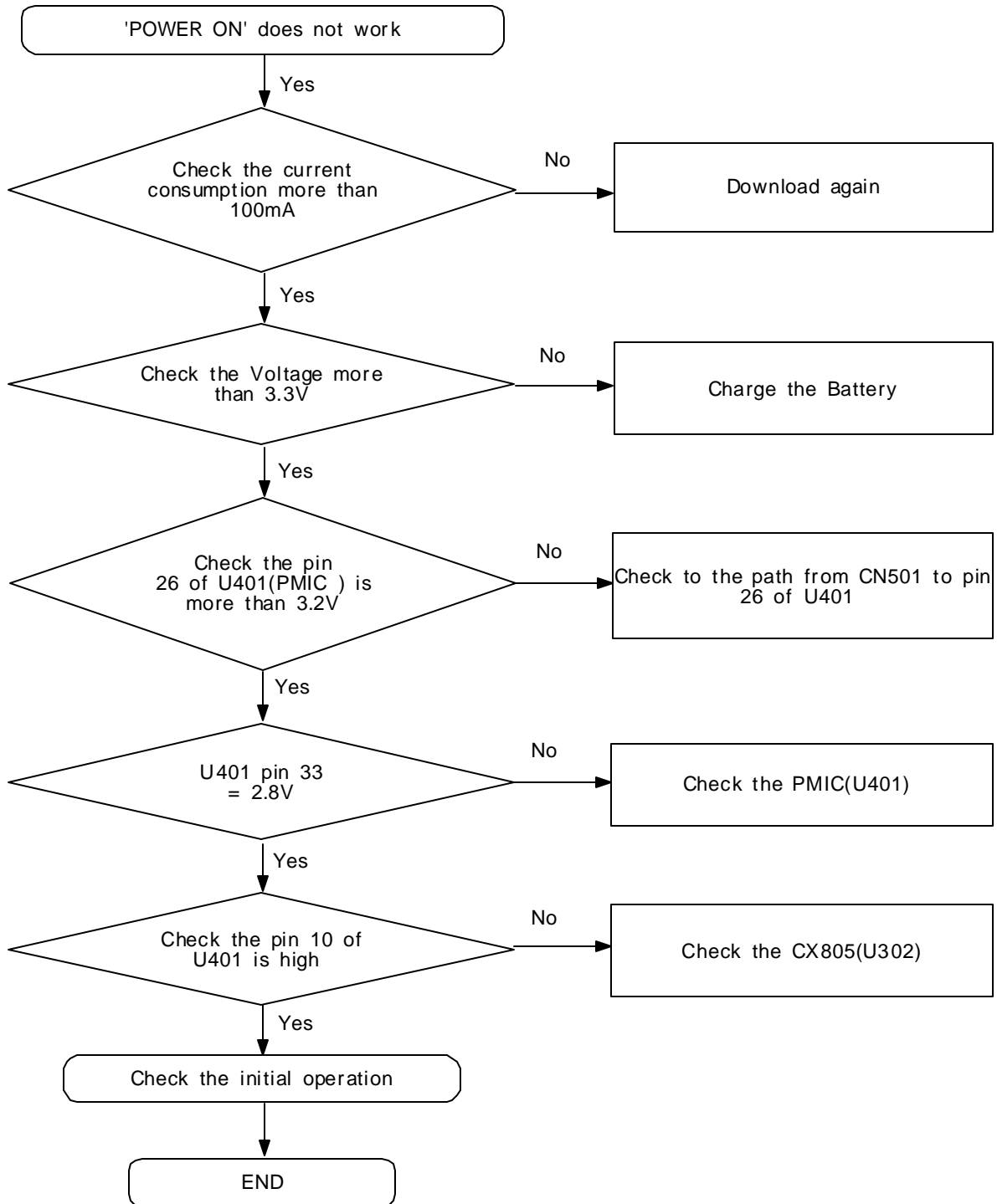
4. SGH-T200 PCB Diagrams

1. Main PCB Top Diagram

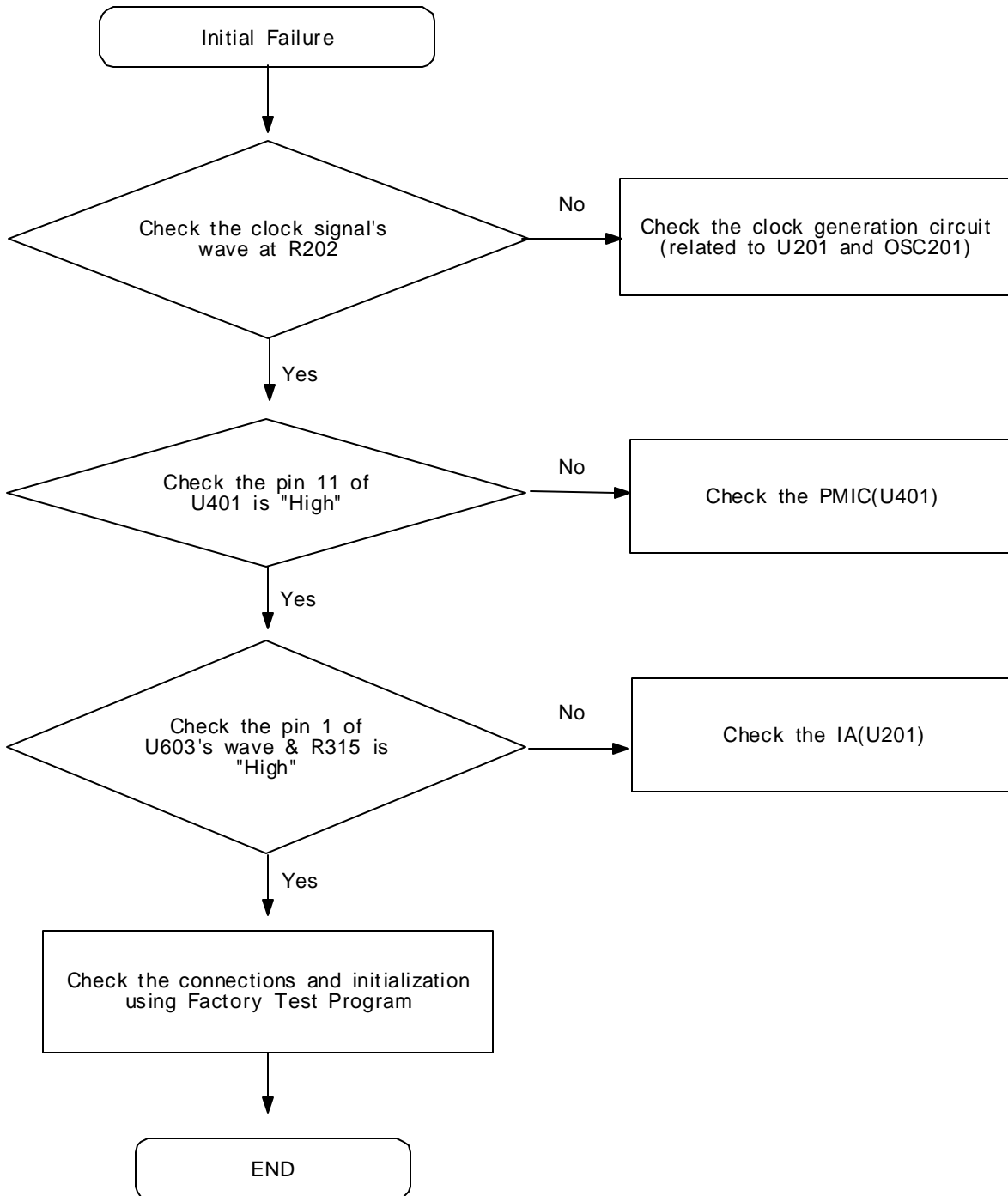


5. SGH-T200 Flow Chart of Troubleshooting

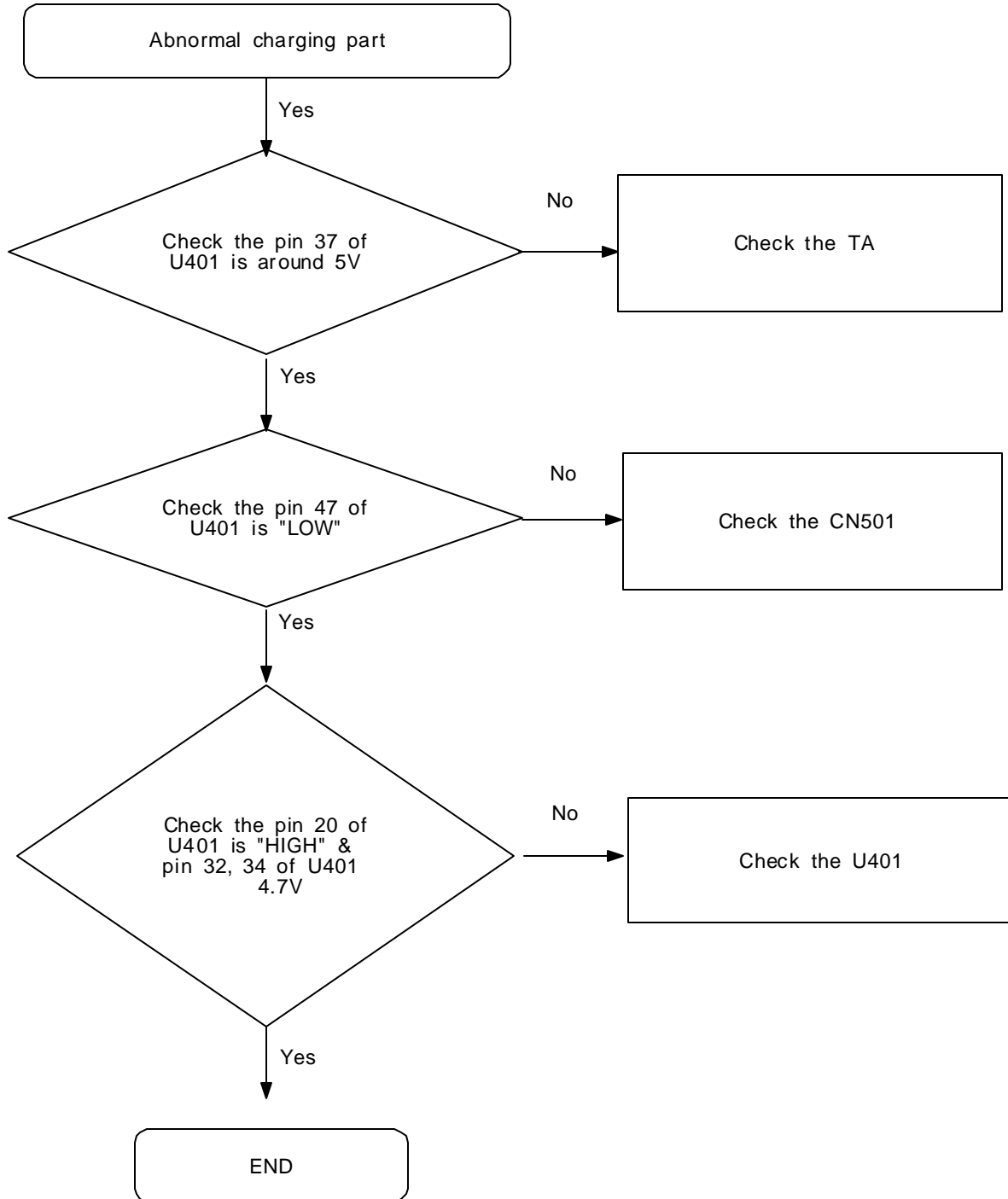
1. Power ON



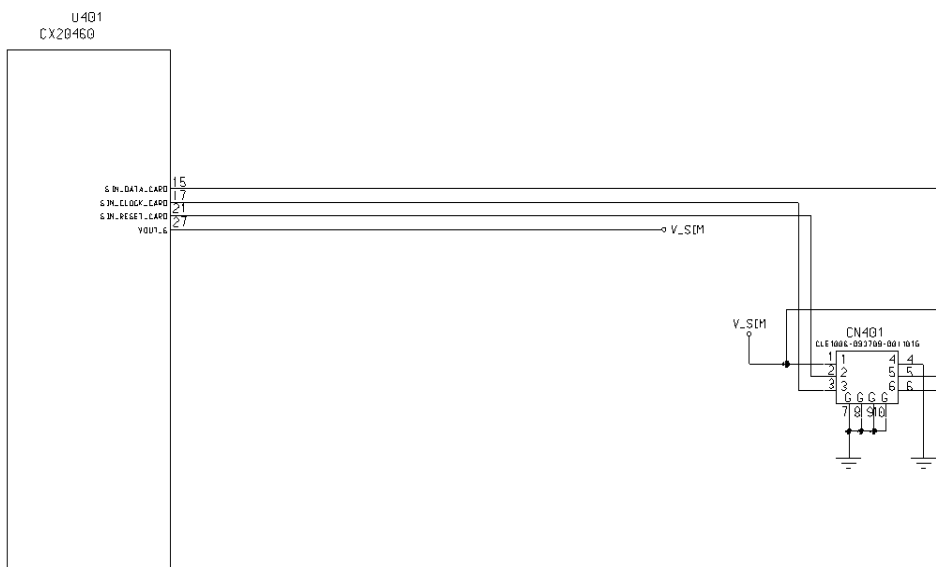
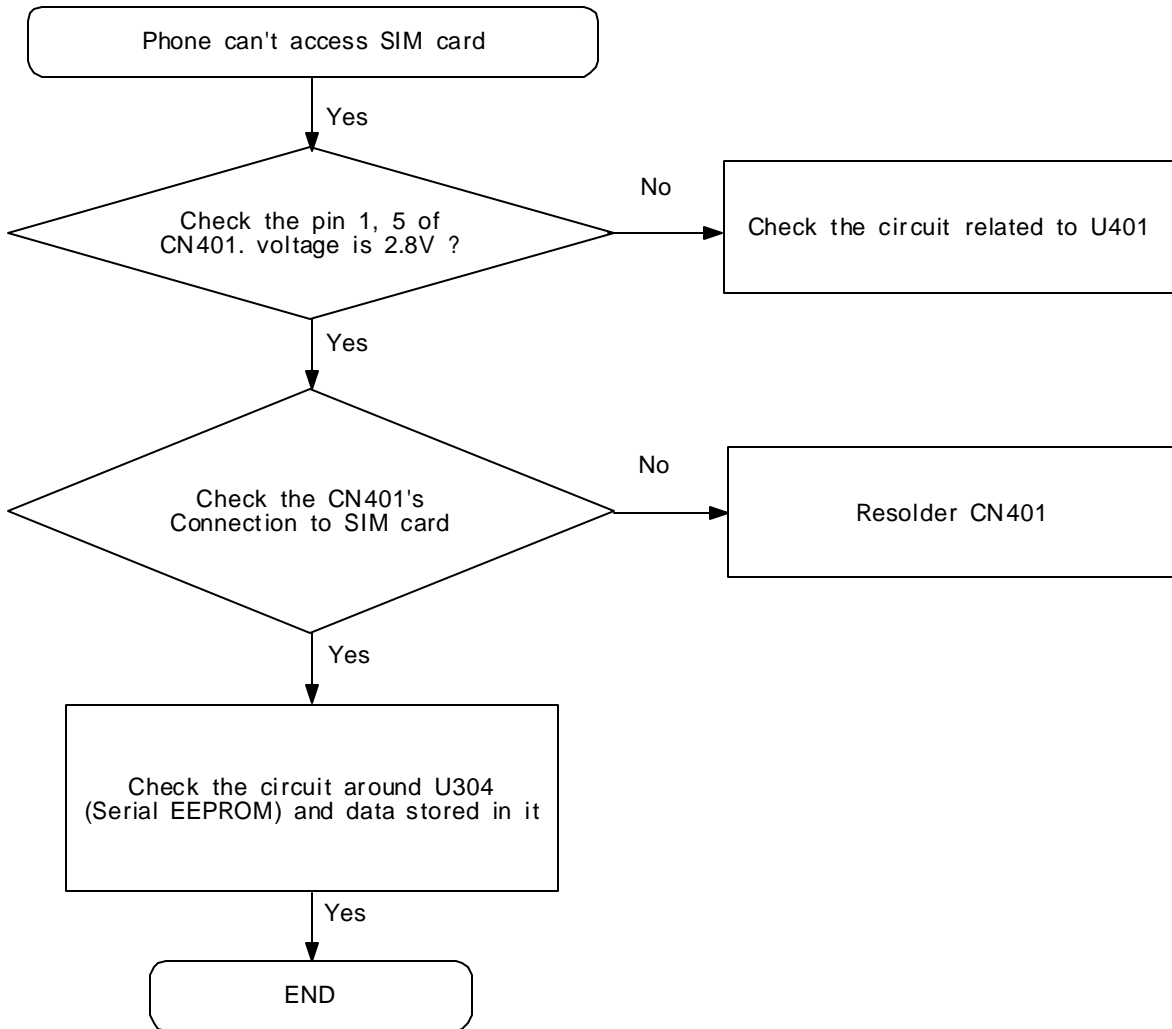
2. Initial



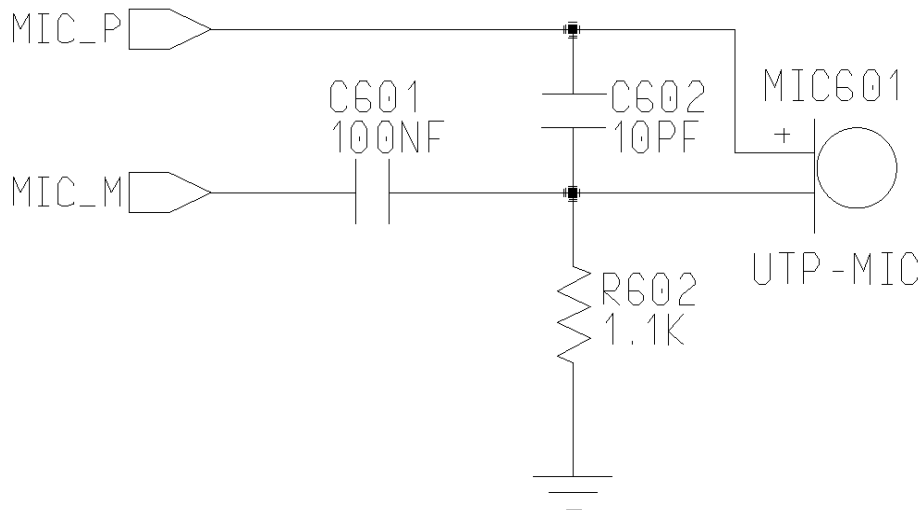
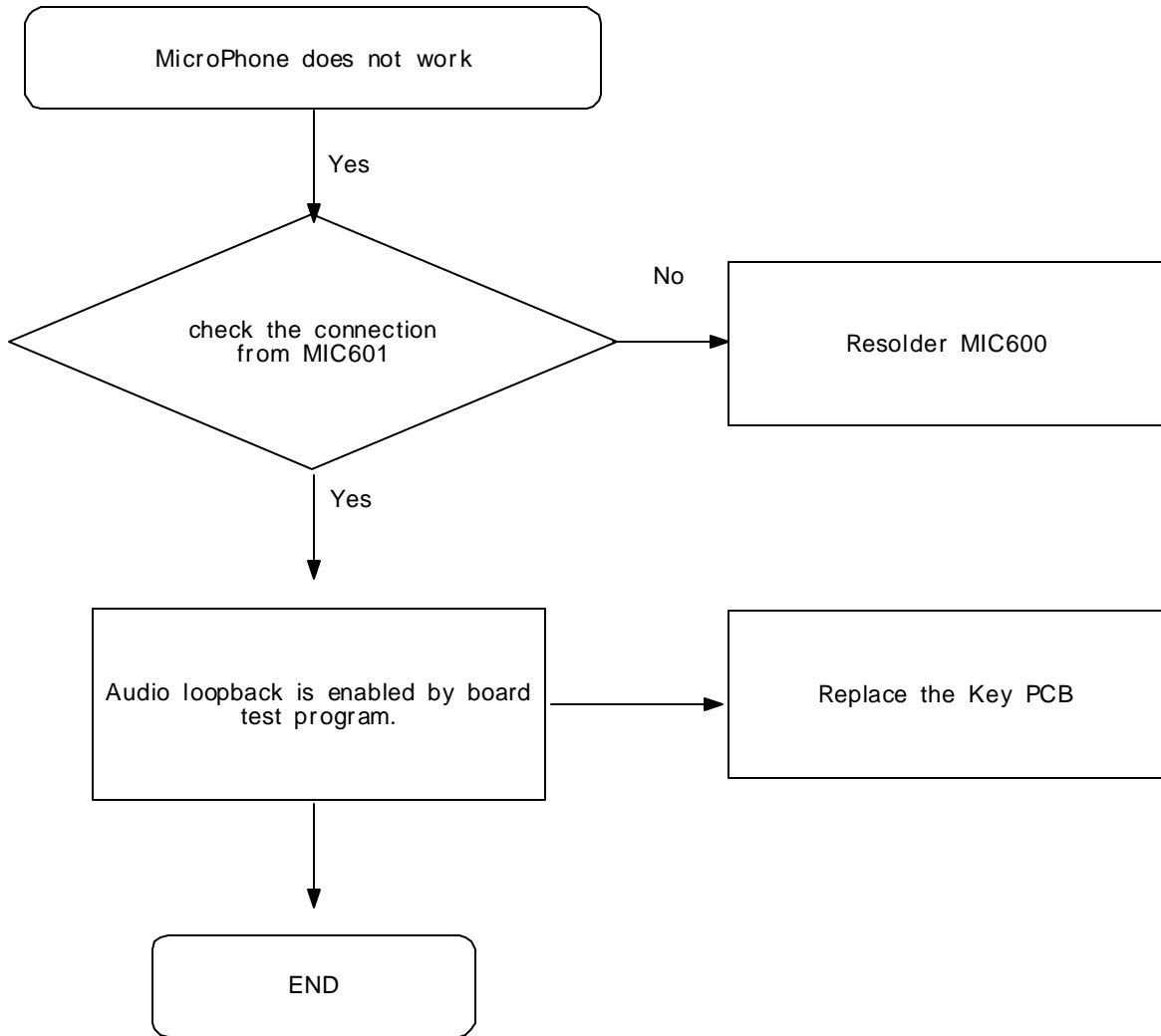
3. Charging



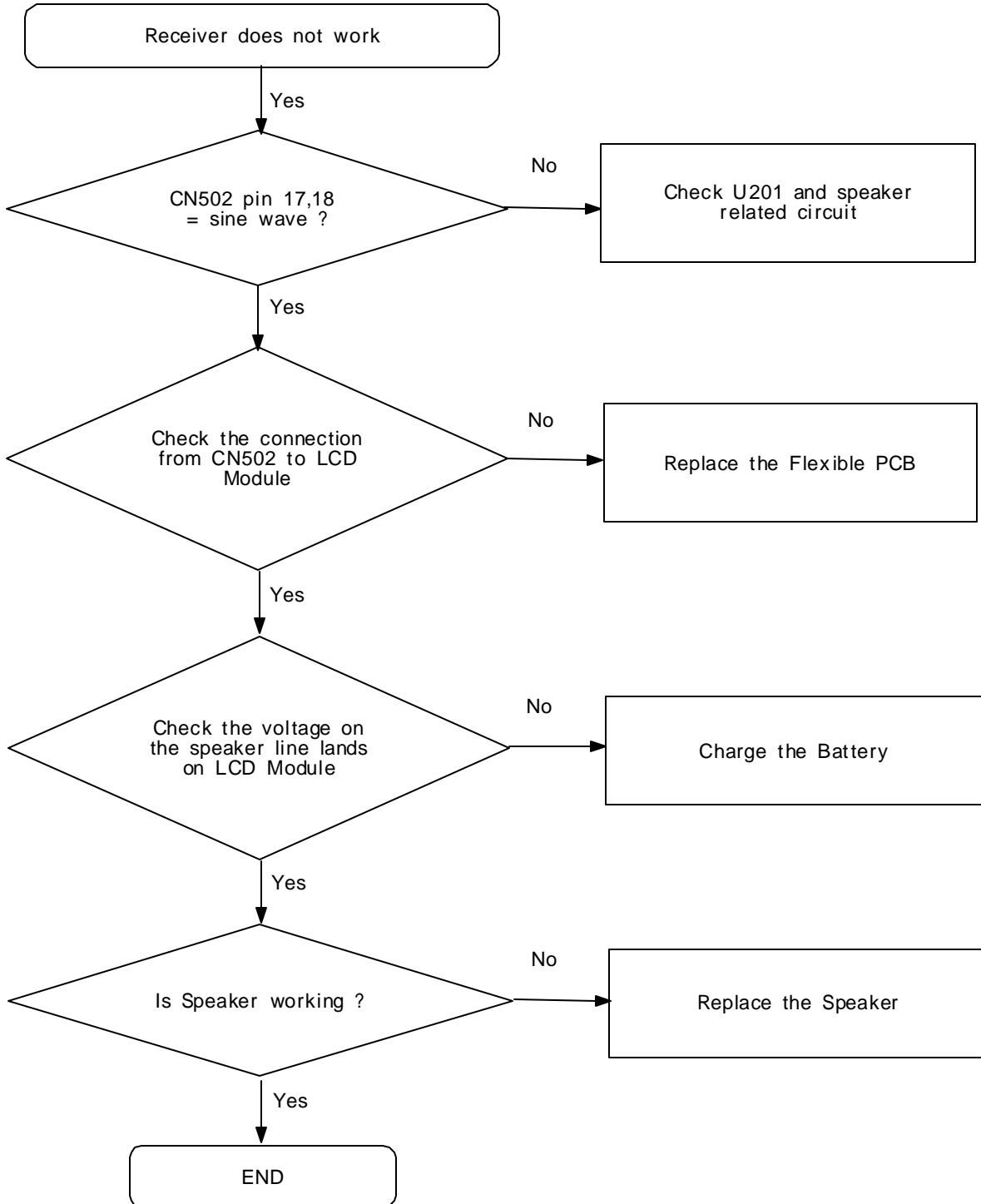
4. Sim



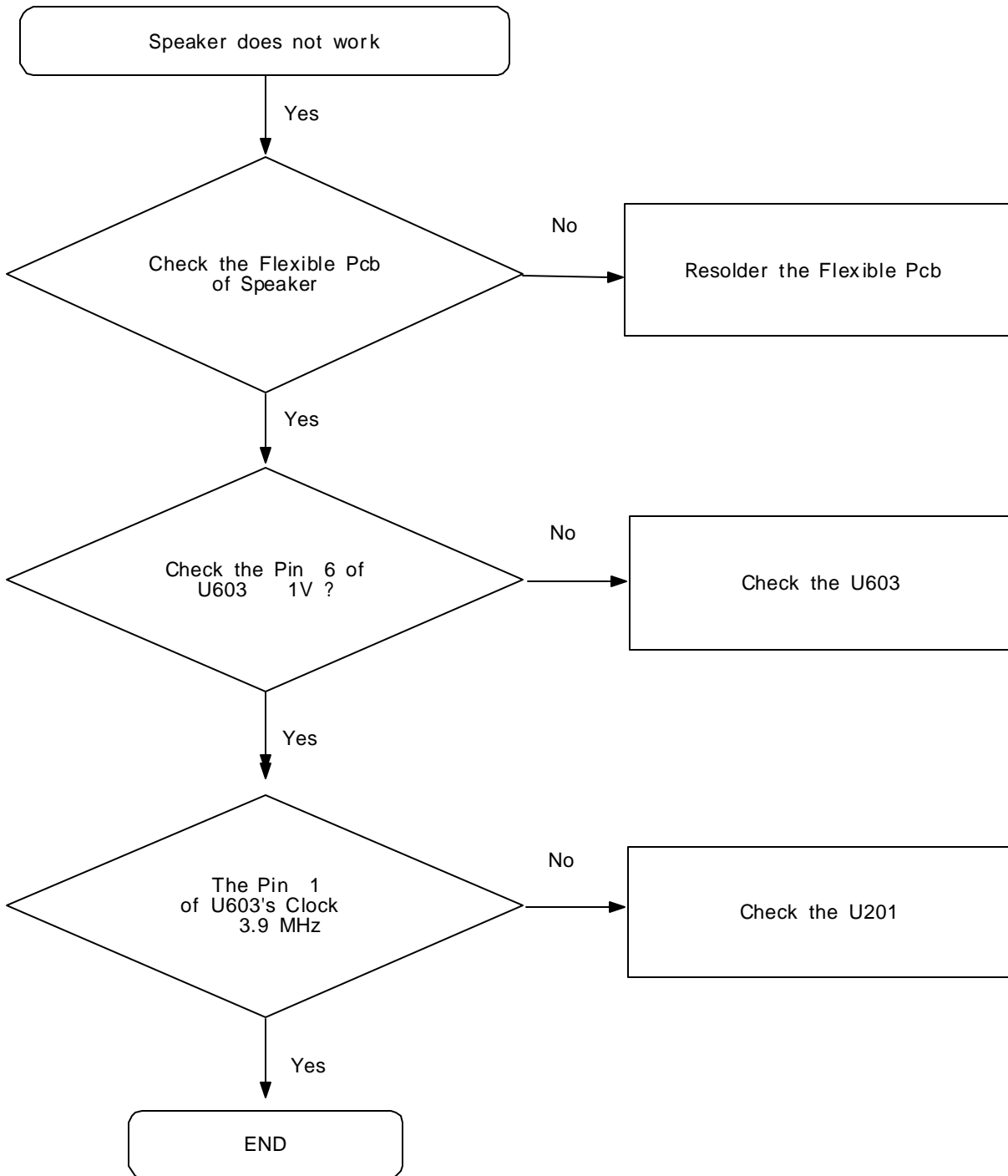
5. Microphone Part



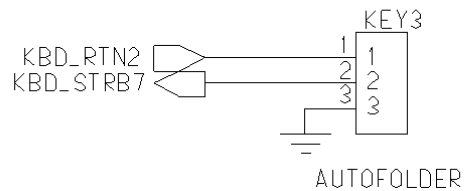
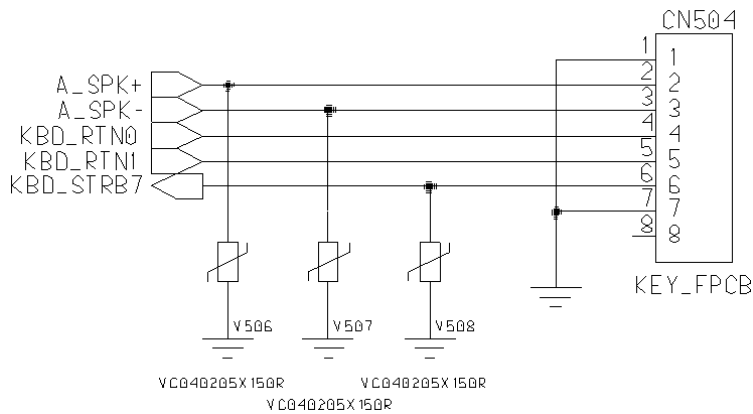
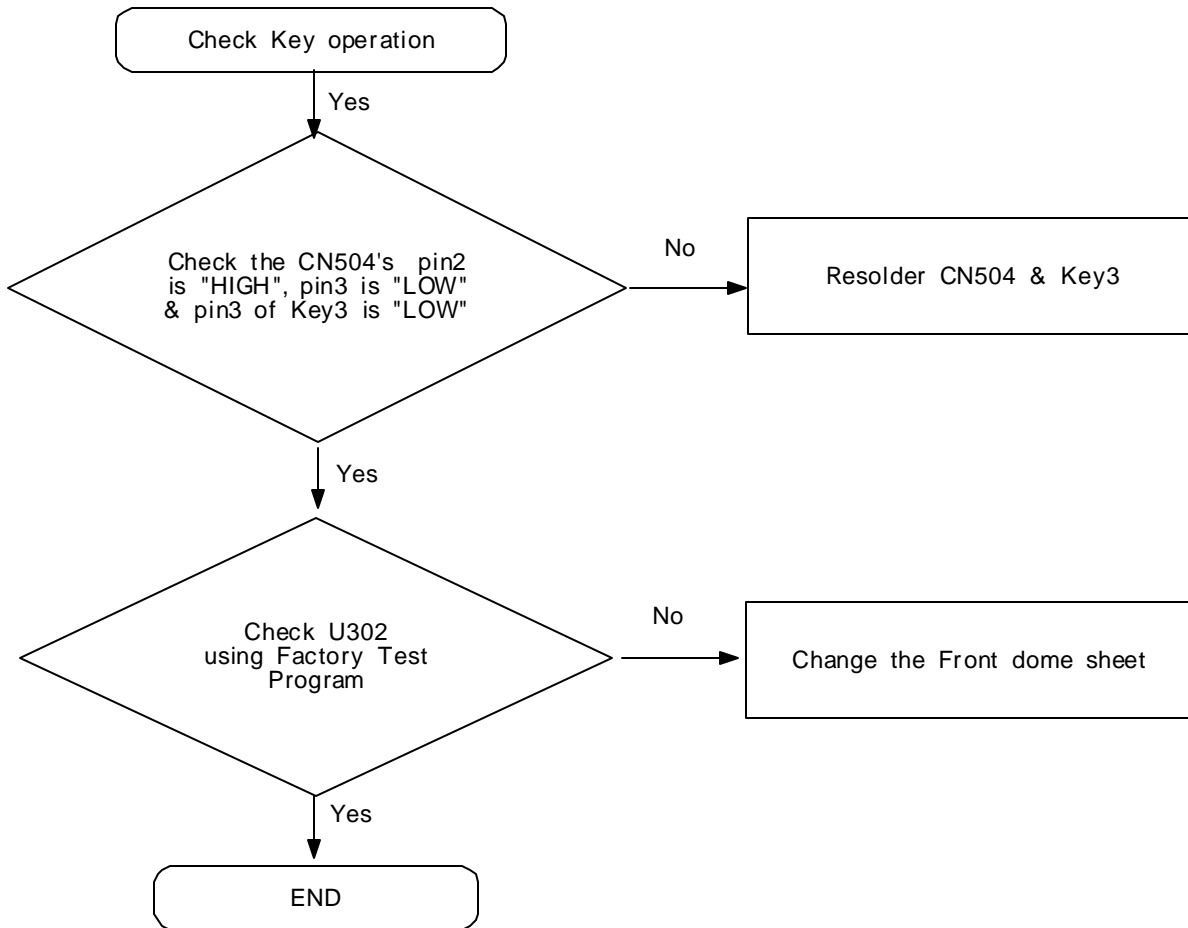
6. Receiver



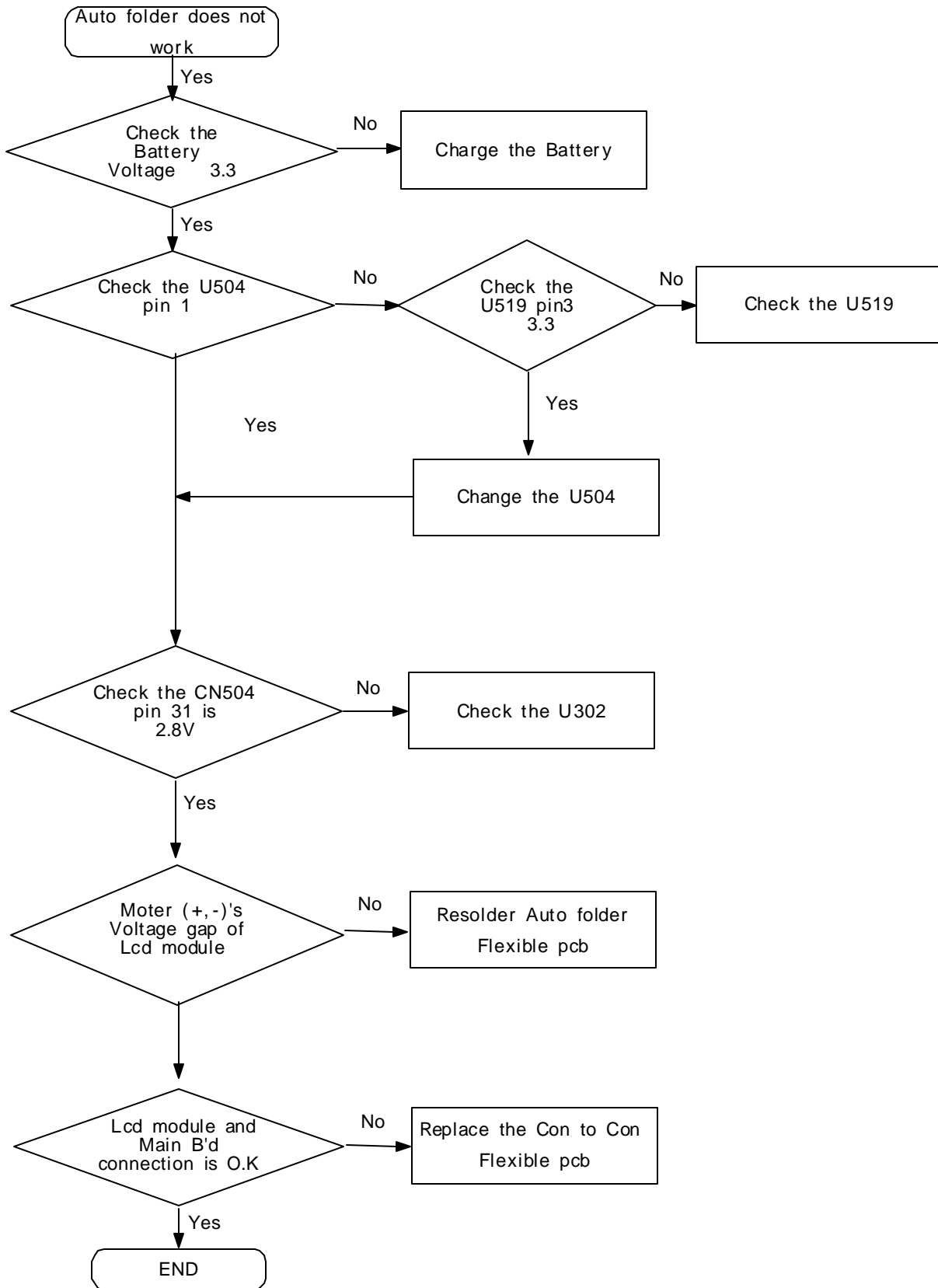
7. Speaker



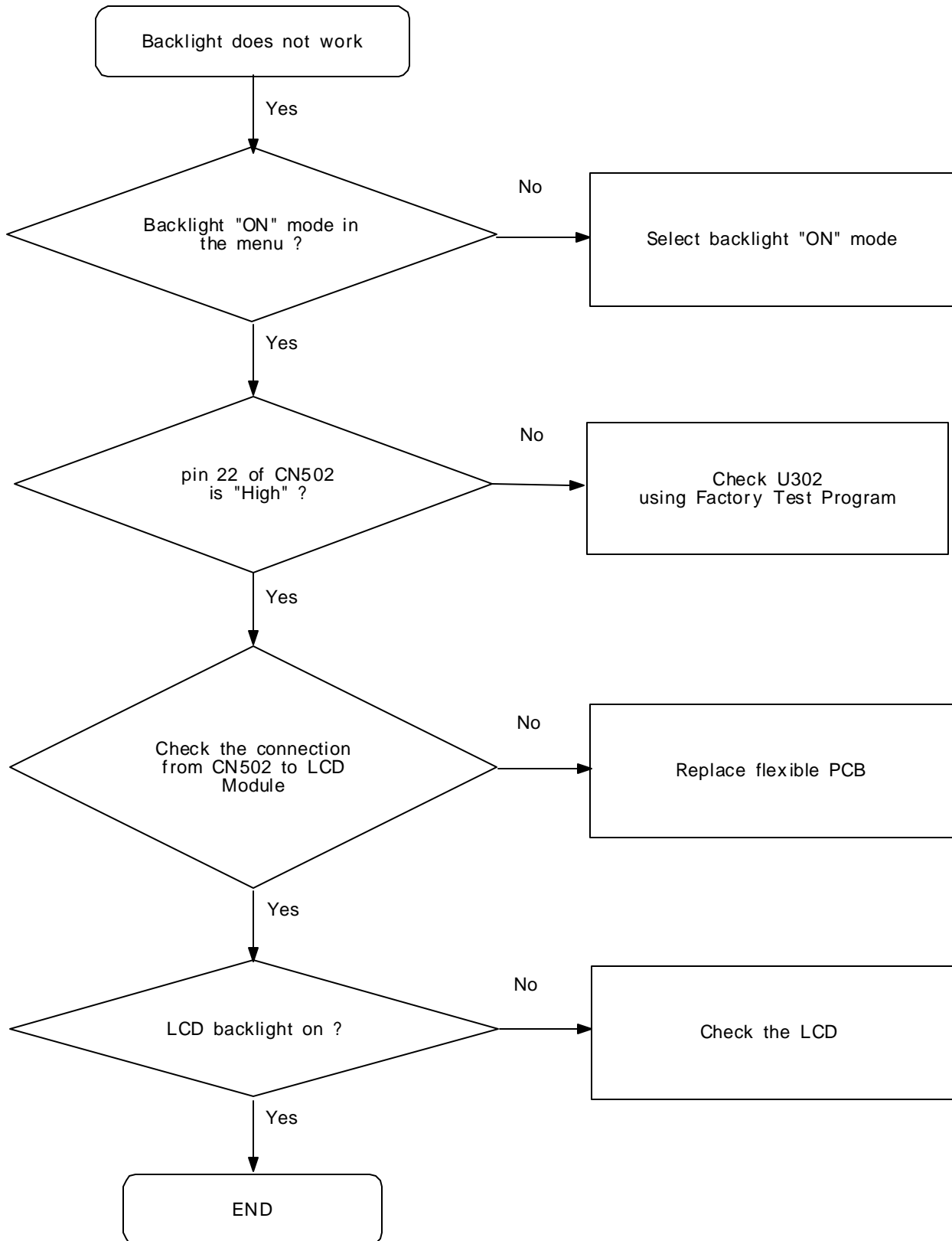
8. Input



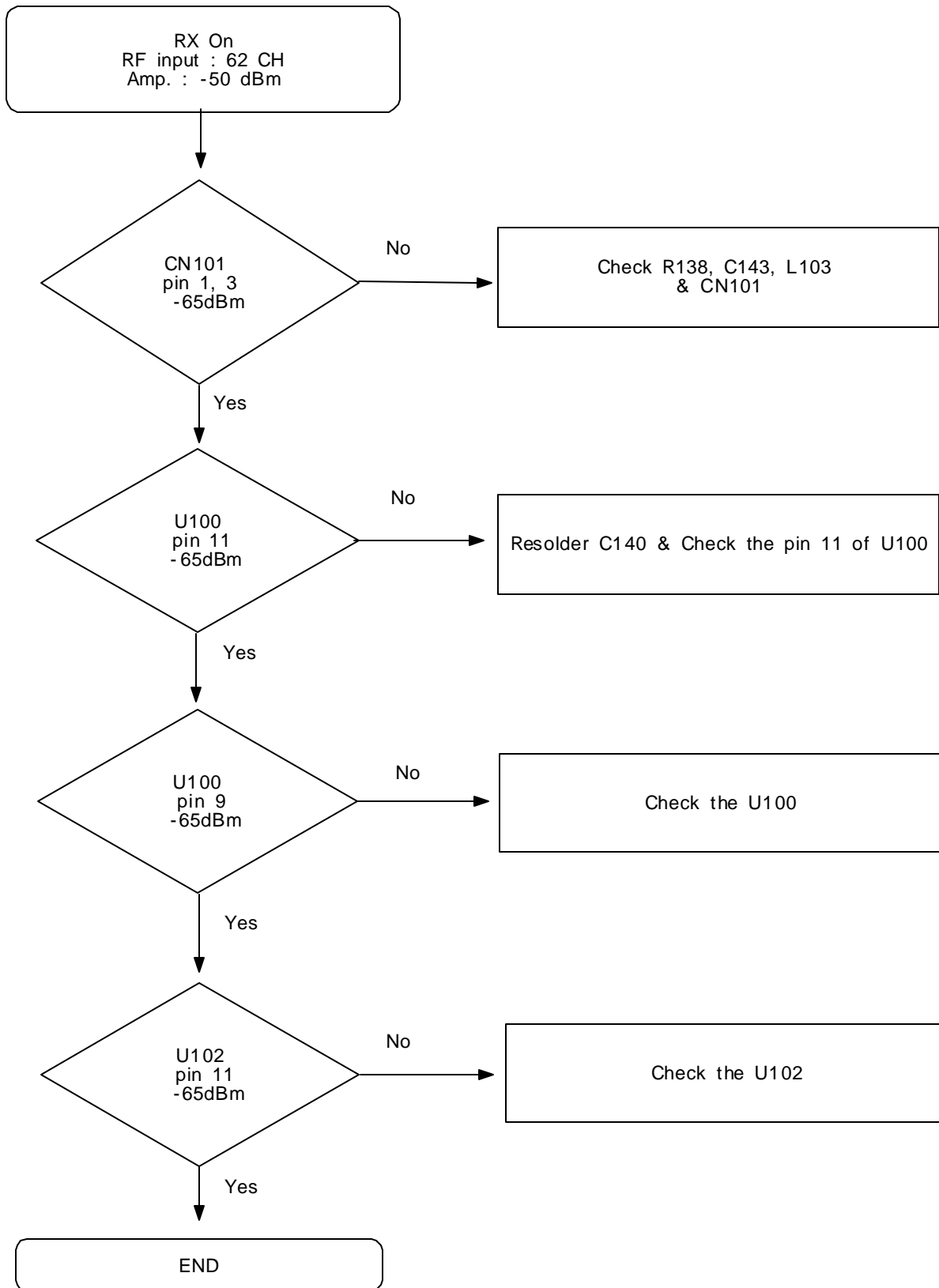
9. Folder



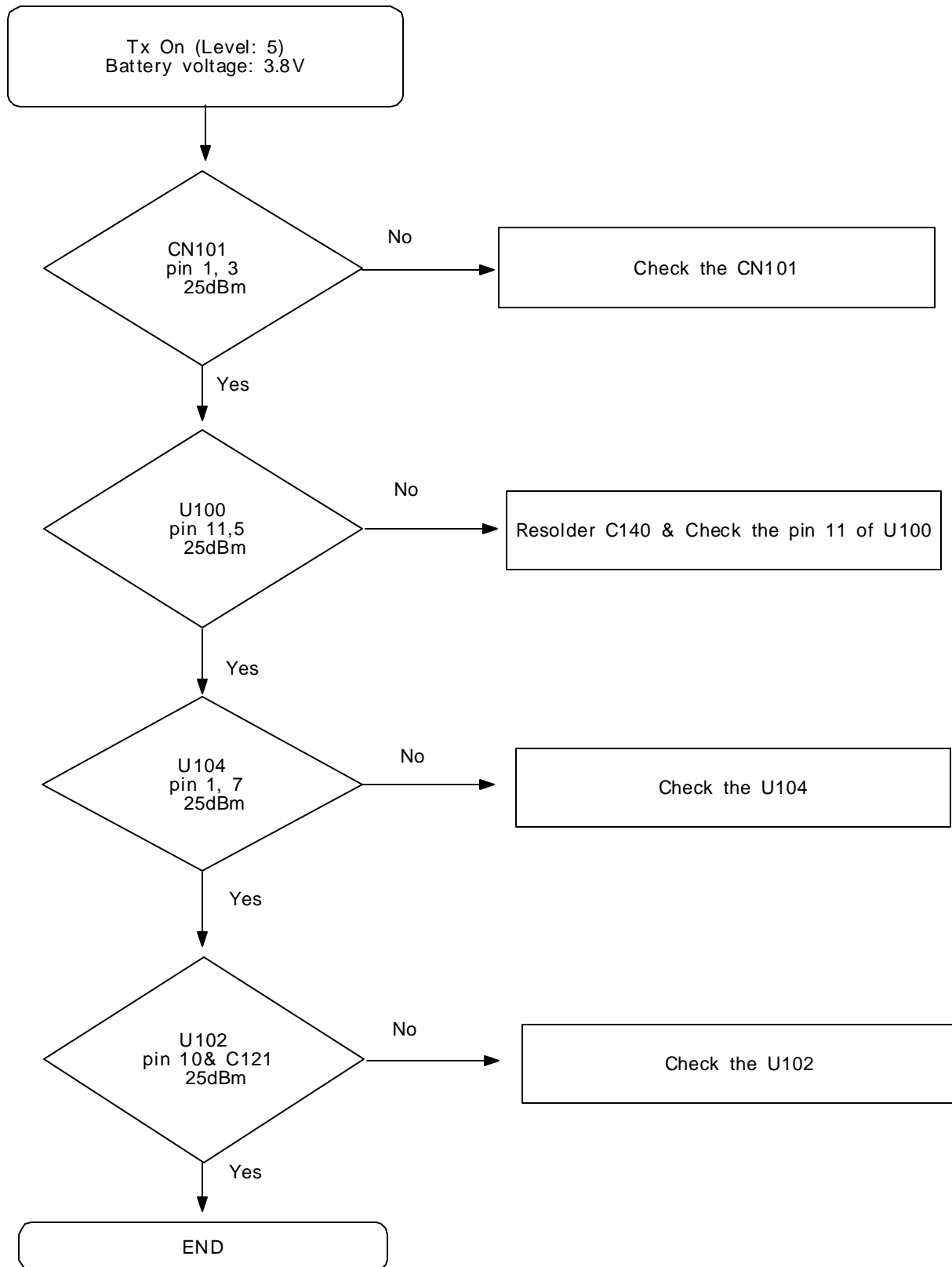
10. Light



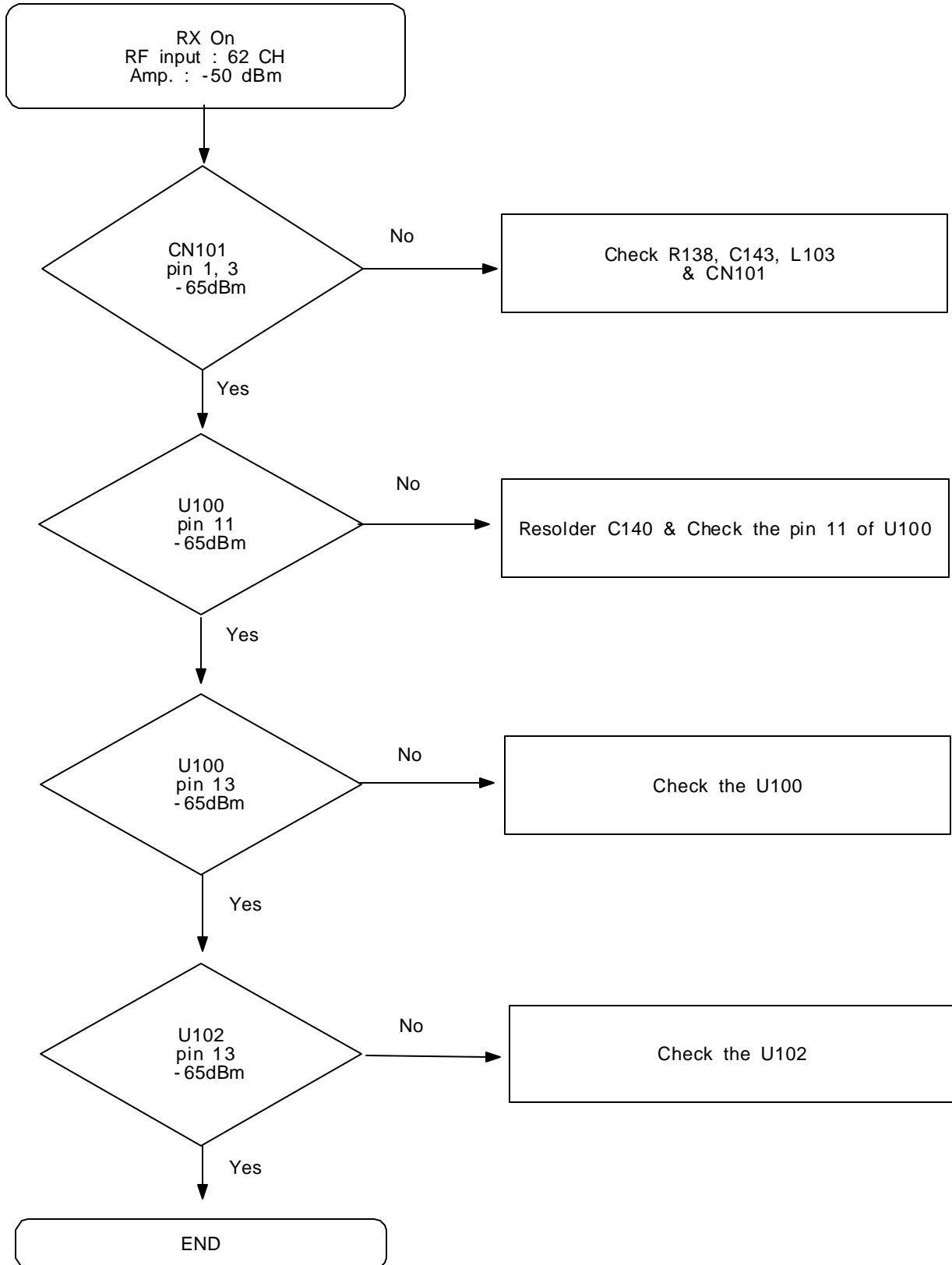
11. GSM Receiver



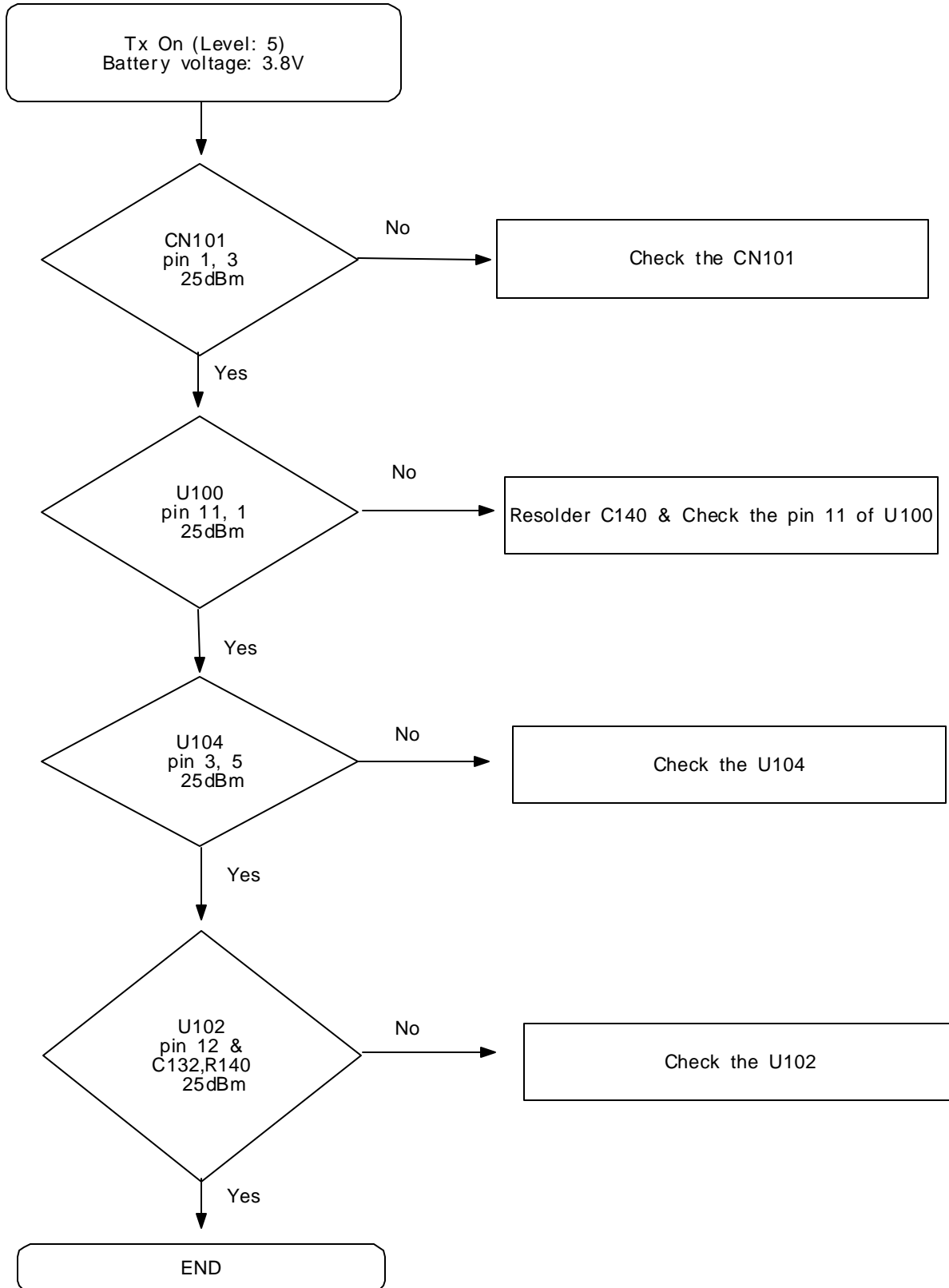
12. GSM Transmitter



13. DCS Receiver



14. DCS Transmitter





ELECTRONICS

Samsung Electronics Co.,Ltd. January. 2003
Printed in Korea.

Code No.: GH68-03493A
BASIC.