



# DUAL BAND Mobile Cellular Phone SGH-T108

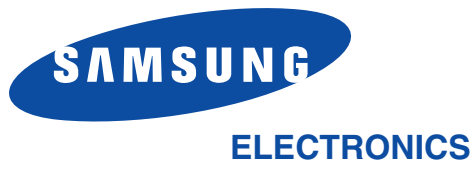
# ***SERVICE*** *Manual*

## DUAL BAND MOBILE CELLULAR PHONE



## CONTENTS

1. Exploded Views and Parts List
2. PCB Diagrams
3. Electrical Parts List
4. Block Diagrams
5. Flow Chart of Troubleshooting and Circuit Diagram



---

## **1. Exploded Views and Parts List**

- 1-1 Main
- 1-2 Main Parts List
- 1-3 Travel Adapter
- 1-4 Travel Adapter Parts List
- 1-5 Ciger Light Adapter
- 1-6 Ciger Light Adapter Parts List
- 1-7 Test Jig
- 1-8 Wearable EAR Microphone
- 1-9 Data Kit
- 1-10 Battery Charger
- 1-11 Downloading Cable
- 1-12 PCLink for GSM Ver1.0

## **2. PCB Diagrams**

- 2-1 Main Top
- 2-2 Main Bottom

## **3. Electrical Parts List**

- 3-1 Main Parts List Top
- 3-2 Main Parts List Bottom

## **4. Block Diagrams**

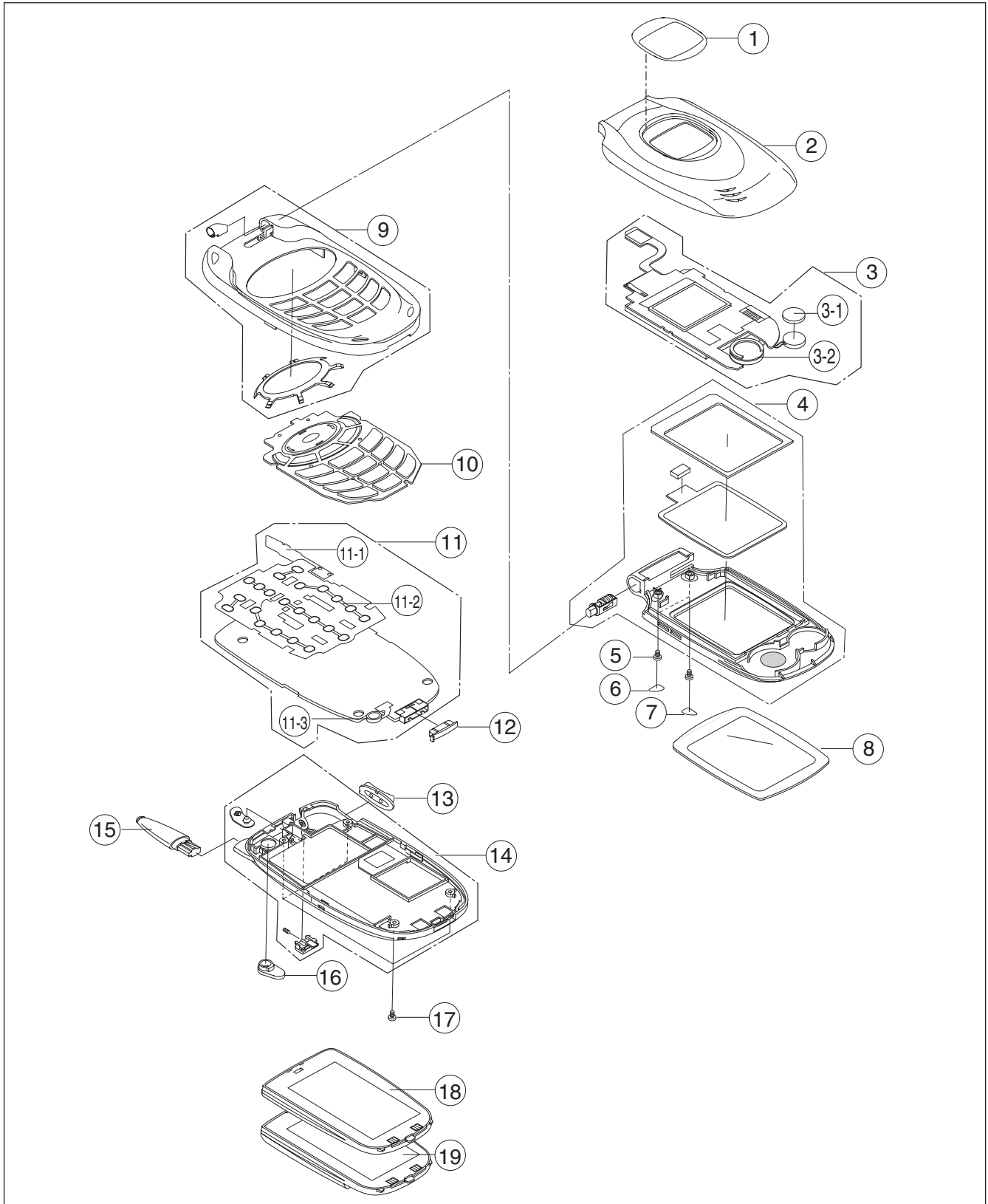
- 4-1 Main Base Band
- 4-2 Main RF
  - 4-2-1 RF Tx Part
  - 4-2-2 RF Rx Part

## **5. Flow chart of Troubleshooting and Circuit Diagram**

- 5-1 Power ON
  - 5-2 Initial
  - 5-3 Charging Part
  - 5-4 Sim Part
  - 5-5 Microphone Part
  - 5-6 Speaker Part
  - 5-7 Key Data Input
  - 5-8 Receiver Part
  - 5-9 Ring Indicator
  - 5-10 Back Light (for Color Main LCD)
  - 5-11 Back Light (for sub LCD & Key)
  - 5-12 GSM Receiver
  - 5-13 GSM Transmit
  - 5-14 DCS Receiver
  - 5-15 DCS Transmit
-

# 1. SGH-T108 Exploded Views and Parts List

## 1-1 Main



---

## 1-2 Main Parts List

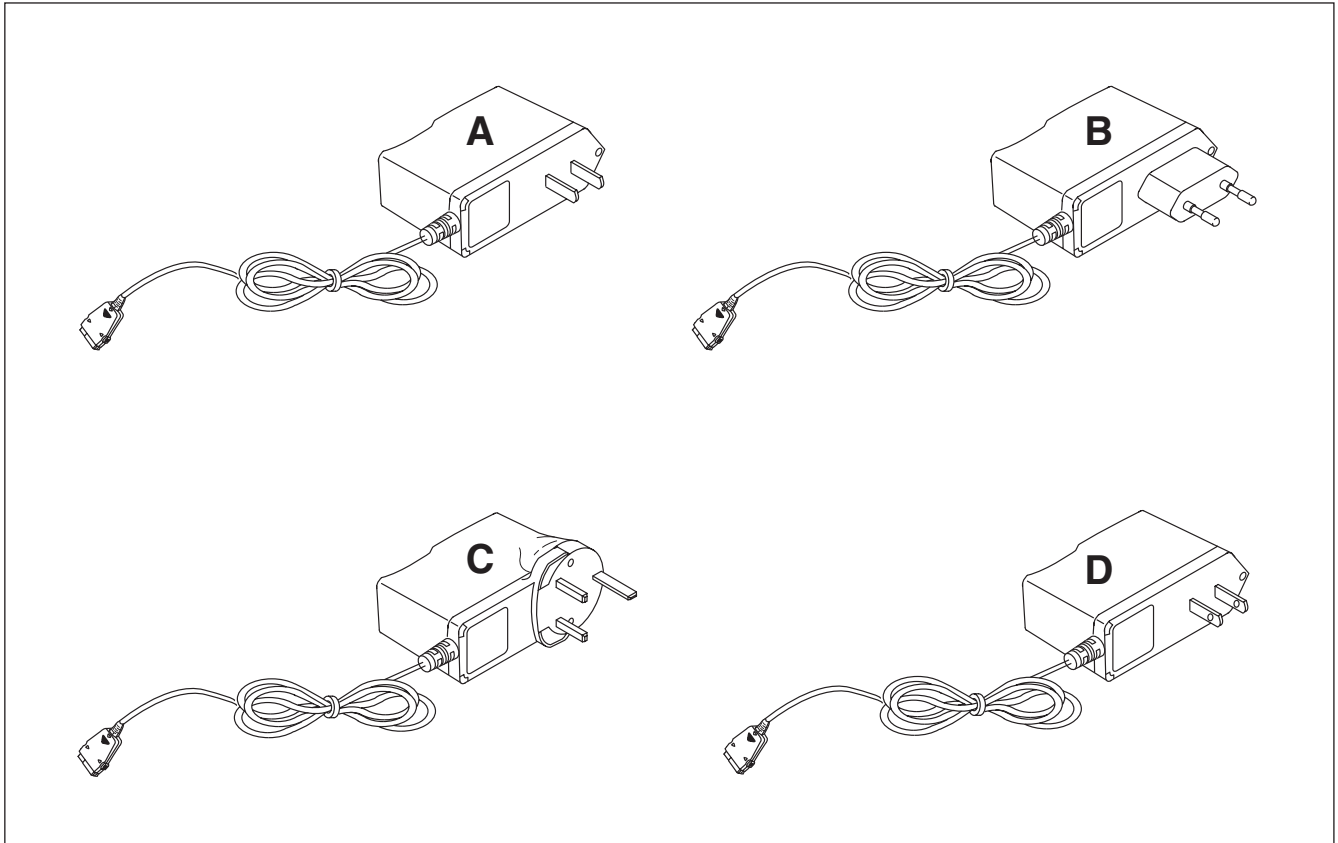
---

Location No.	Description	SEC CODE	Remark
1	DUAL WINDOW LCD	GH72-03659C	
2	FOLDER UPPER	GH75-01772A	
3	LCD	GH96-00964A	
3-1	MOTOR	3101-001243	
3-2	SPEAKER	3001-001268	
4	FOLDER LOWER	GH75-01773A	
5	SCREW	6001-001285	
6	SCREW CAP(LEFT)	GH74-01466A	
7	SCREW CAP(RIGHT)	GH74-01467A	
8	WINDOW LCD	GH72-01239A	
9	FRONT COVER	GH75-01776A	
10	KEY PAD	GH75-01775A	
11	MAIN PBA	GH92-01273A	
11-1	FPCB ASS'Y	GH59-00366A	
11-2	DOME SHEET	GH59-00365A	
11-3	MIC	GH59-00336A	
12	CONNECTOR COVER	GH73-00741A	
13	VOLUME KEY	GH75-01205A	
14	REAR COVER	GH75-01777A	
15	ANTENNA	GH42-00164A	
16	MOBILE CAP	GH73-00950A	
17	SCREW	6001-000464	
18	BATTERY	GH43-00467A	
19	BATTERY	GH43-00468A	

## SGH-T108 COLOR & CODE

ITEM \ COLOR	SILVER	WHITE PEARL	GOLD	METALIC BLUE
MEC-FOLDER DUMY	GH75-01774A	GH75-01774A	GH75-01774B	GH75-01774A
MEC-FOLDER UPPER	GH75-01772A	GH75-01772B	GH75-01772C	GH75-01772D
MEC-FOLDER LOWER	GH75-01773A	GH75-01773B	GH75-01773B	GH75-01773D
MEC-FRONT COVER	GH75-01776A	GH75-01776B	GH75-01776C	GH75-01776D
MEC-REAR COVER	GH75-01777A	GH75-01777B	GH75-01777C	GH75-01777D
MPR-SCREW CAP LEFT	GH74-01466A	GH74-01466B	GH74-01466D	GH74-01466G
MPR-SCREW CAP LEFT	GH74-01467A	GH74-01467B	GH74-01467D	GH74-01467G
BATTERY-700M	GH43-00467A	GH43-00467B	GH43-00467C	GH43-00467D
BATTERY-900M	GH43-00468A	GH43-00468B	GH43-00468C	GH43-00468D

## 1-3 Travel Adapter



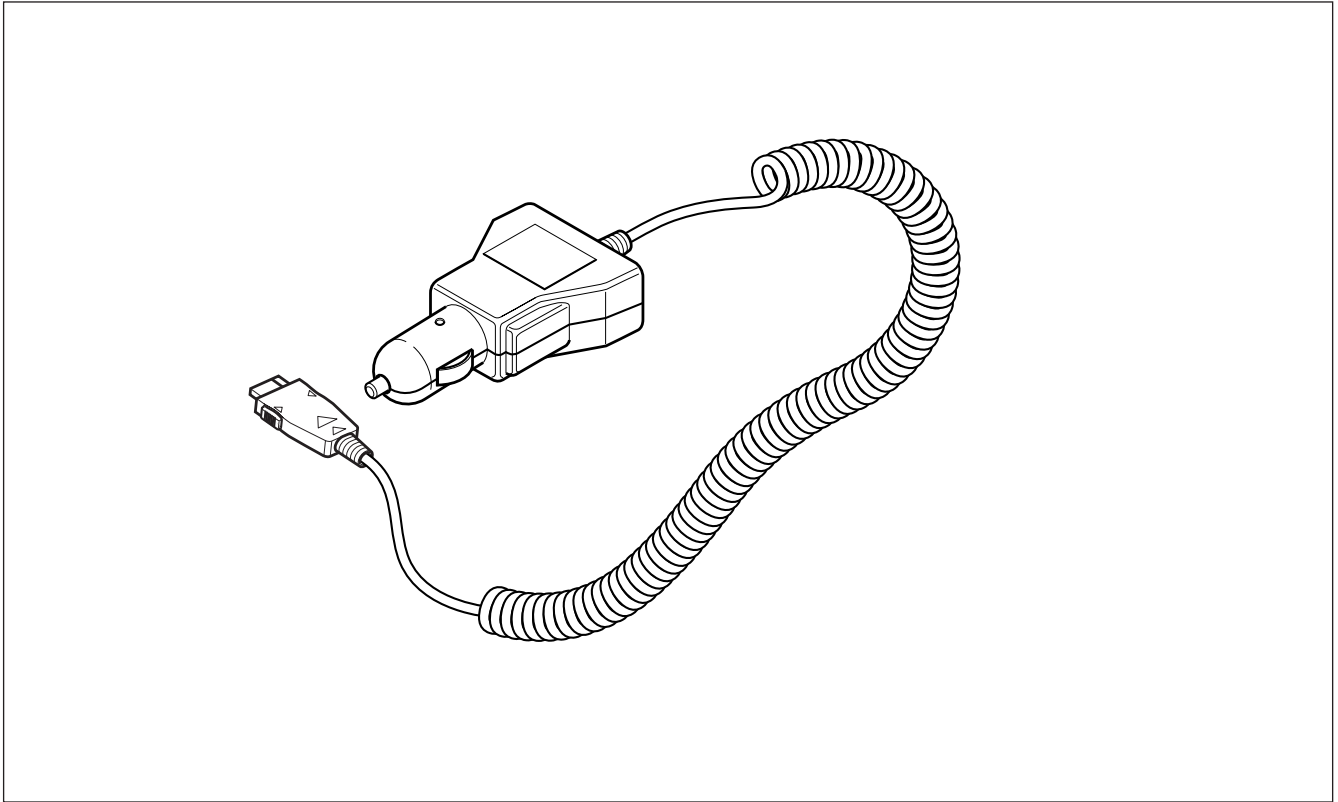
## 1-4 Travel Adapter Parts List

TYPE	SEC CODE	REMARK
A	GH44-00171A	CHINA
B	GH44-00184A	EUROPE
C	GH44-00171C	UNITED KINGDOM
D	Gh44-00171E	TAIWAN

---

## 1-5 Ciger Light Adapter

---



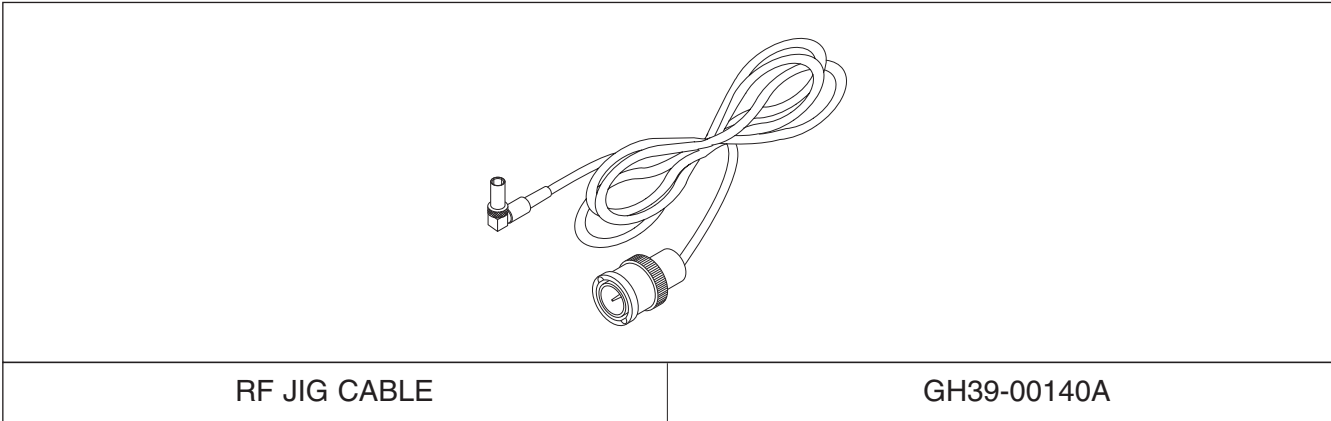
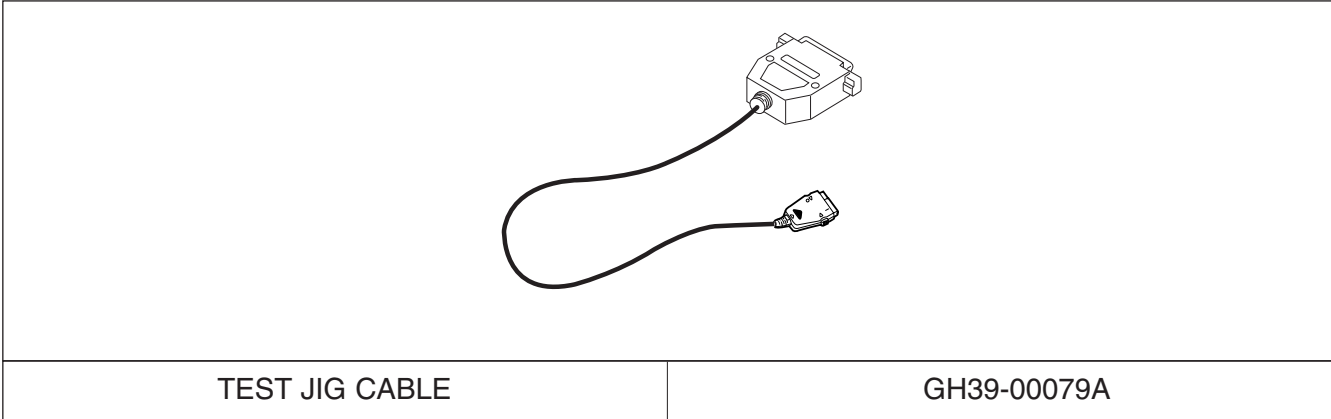
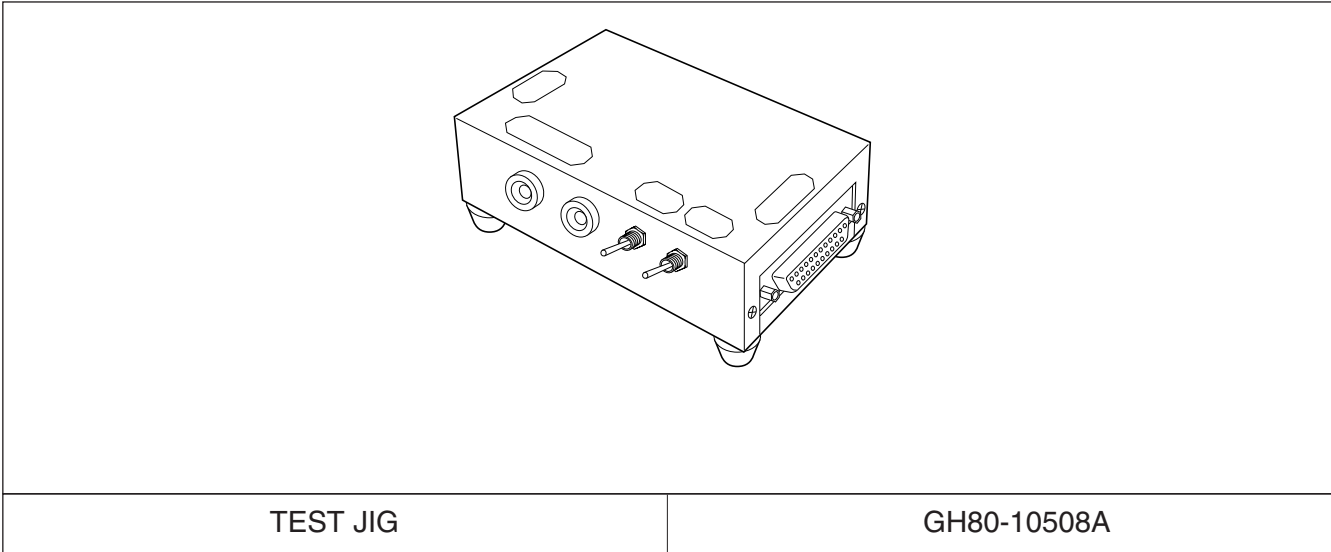
## 1-6 Ciger Light Adapter Parts List

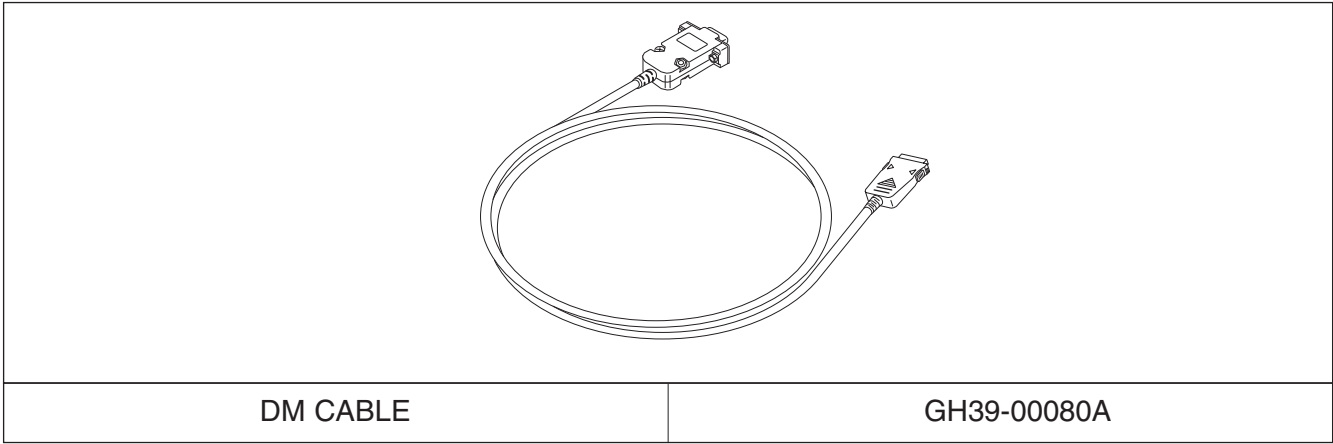
---

DESCRIPTION	SEC CODE	REMARK
Ciger Light Adapter Code	GH44-00170A	BLACK

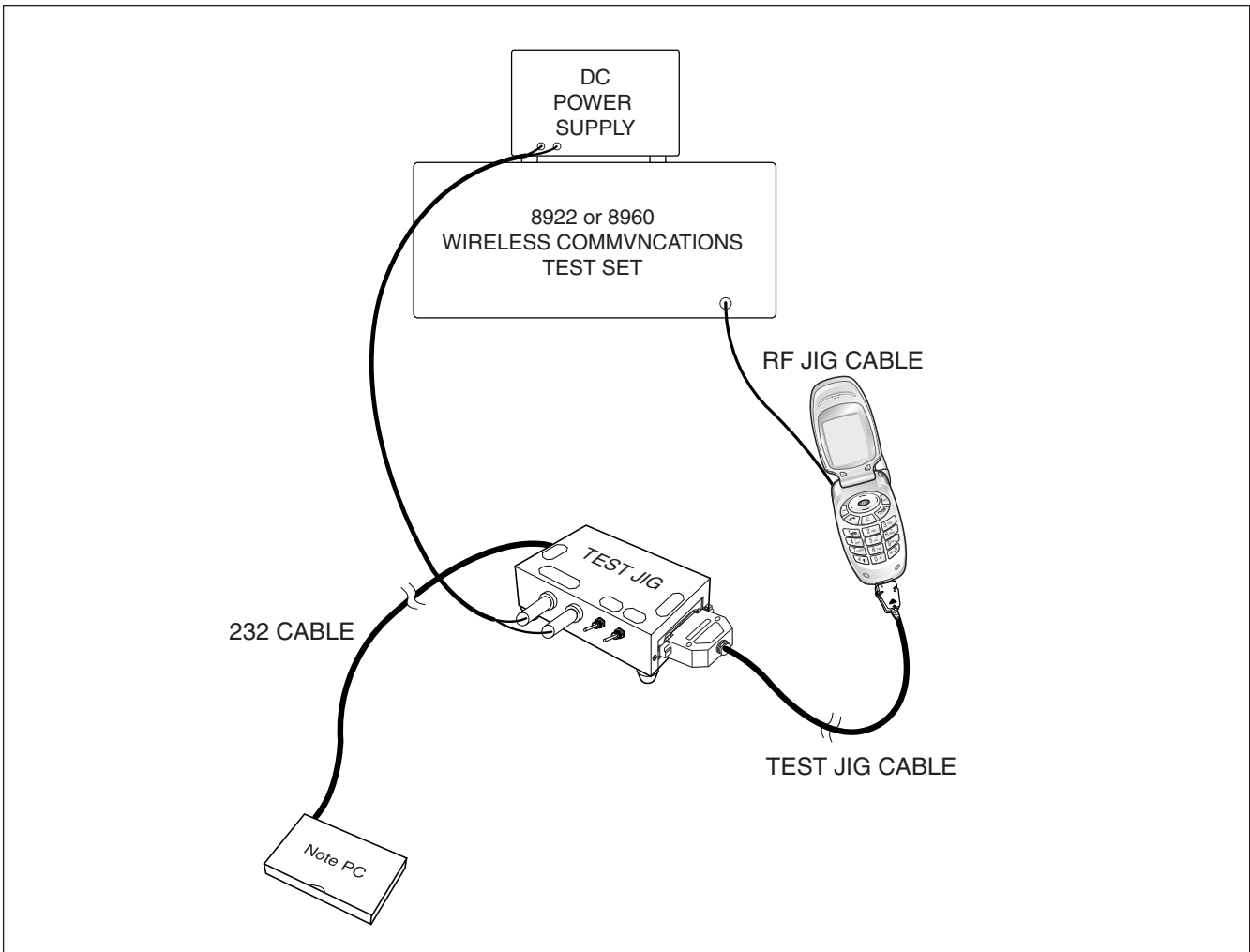


**1-7 Test Jig**

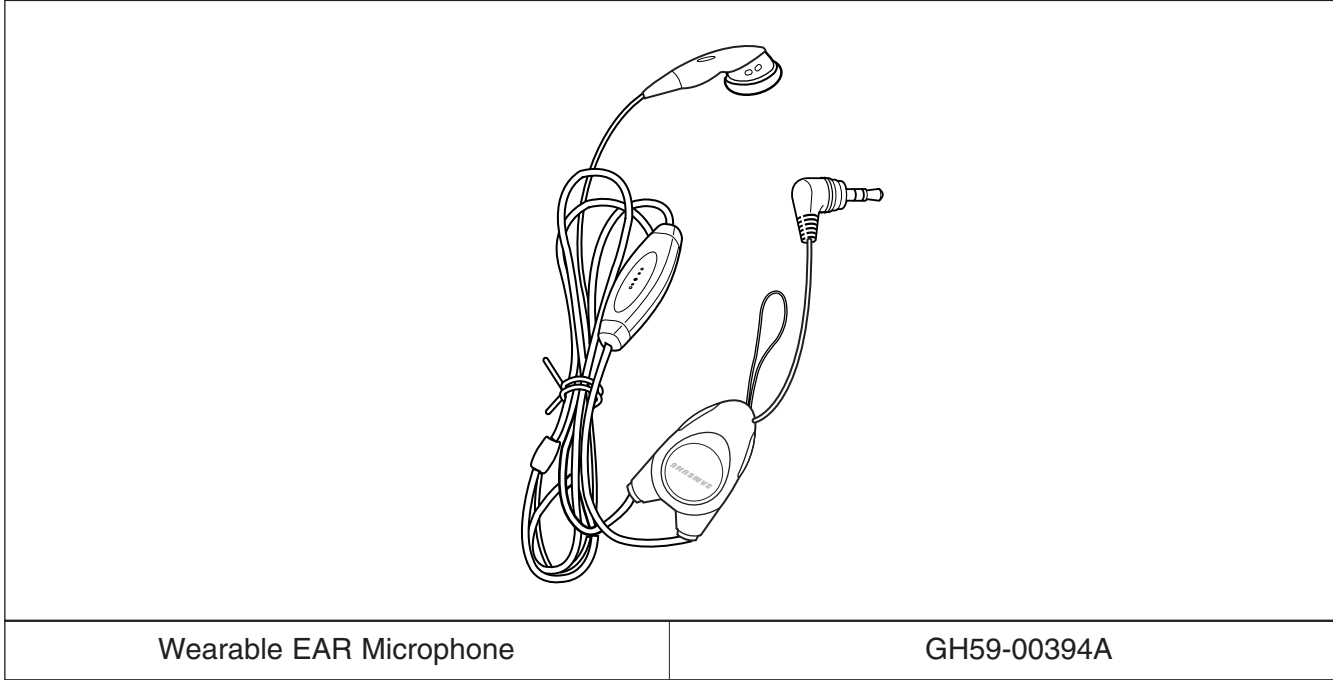




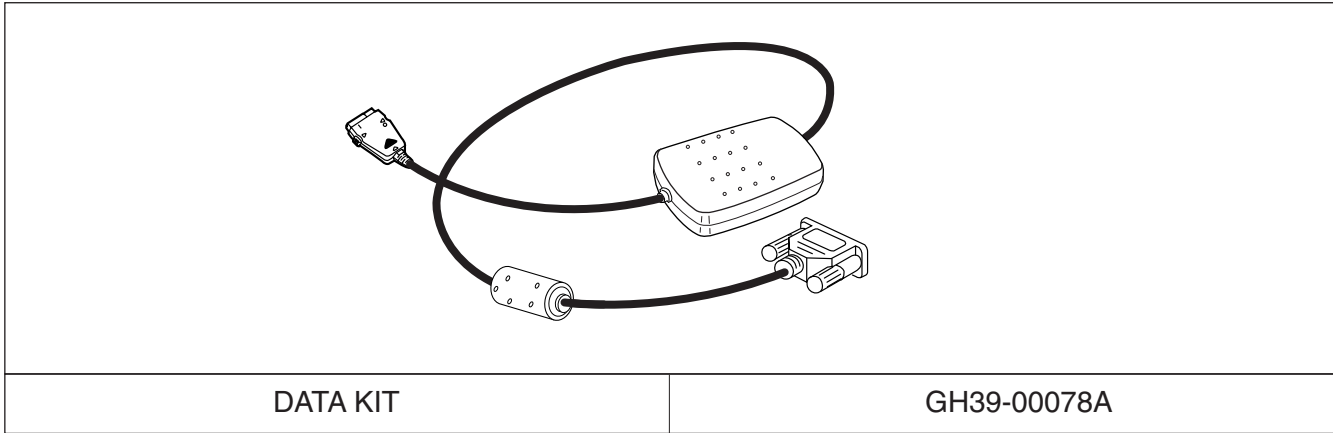
### 1-7-1 Test Jig



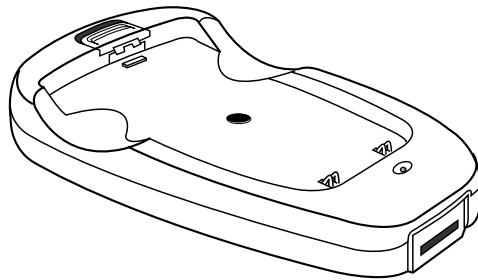
**1-8 Wearable EAR Microphone**



**1-9 Data Kit**



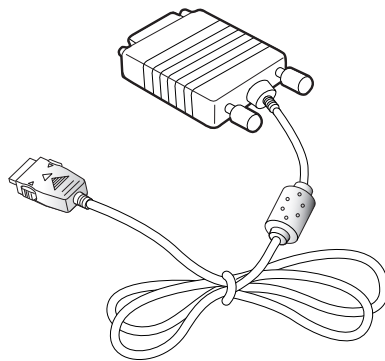
## 1-10 Battery Charger



BATTERY CHARGER

GH44-00279A

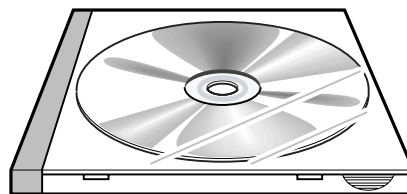
## 1-11 Downloading Cable



DOWNLOADING CABLE

GH39-00143A

## 1-12 PCLink for GSM Ver1.0

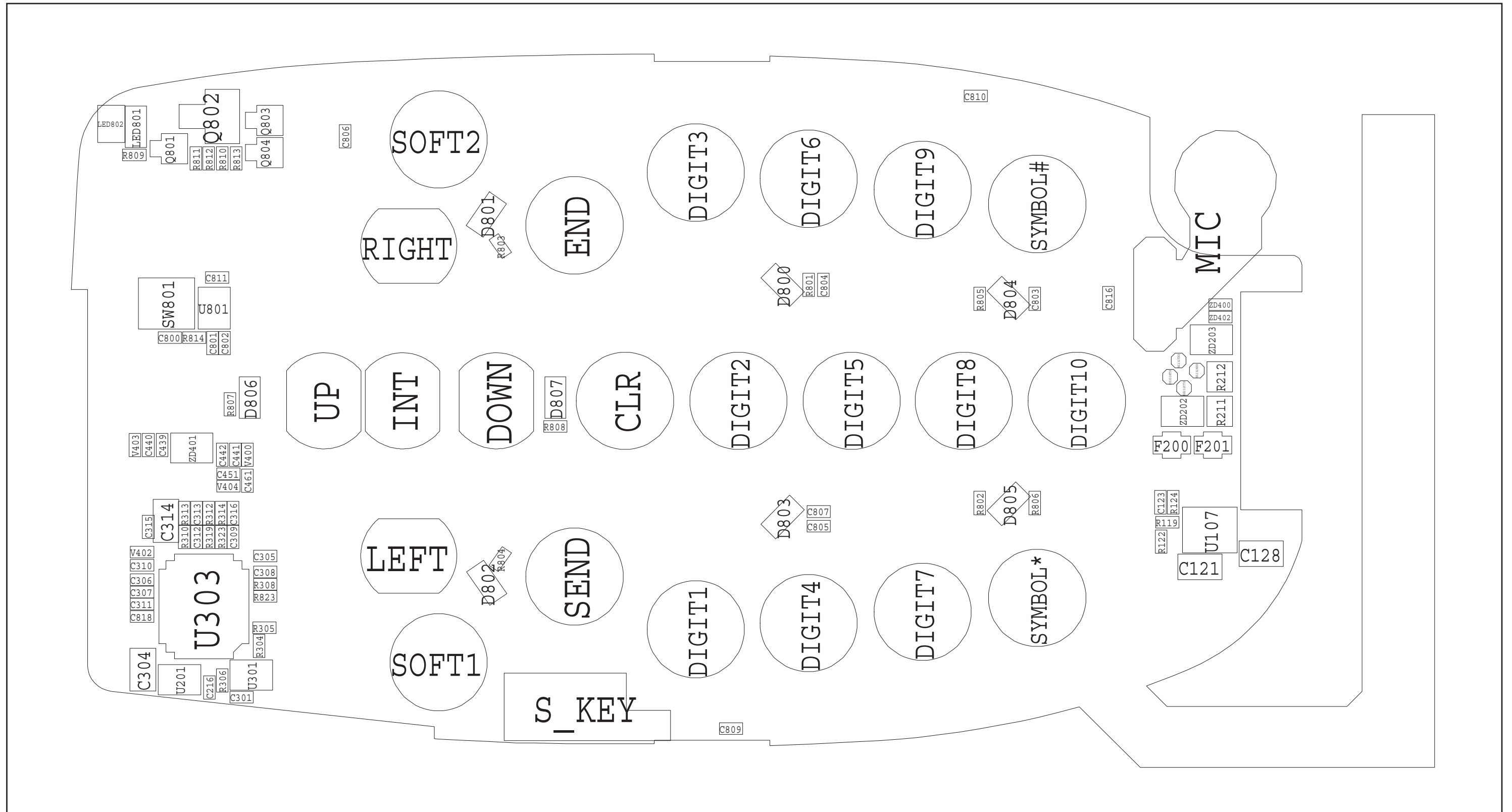


PCLINK FOR GSM VER1.0

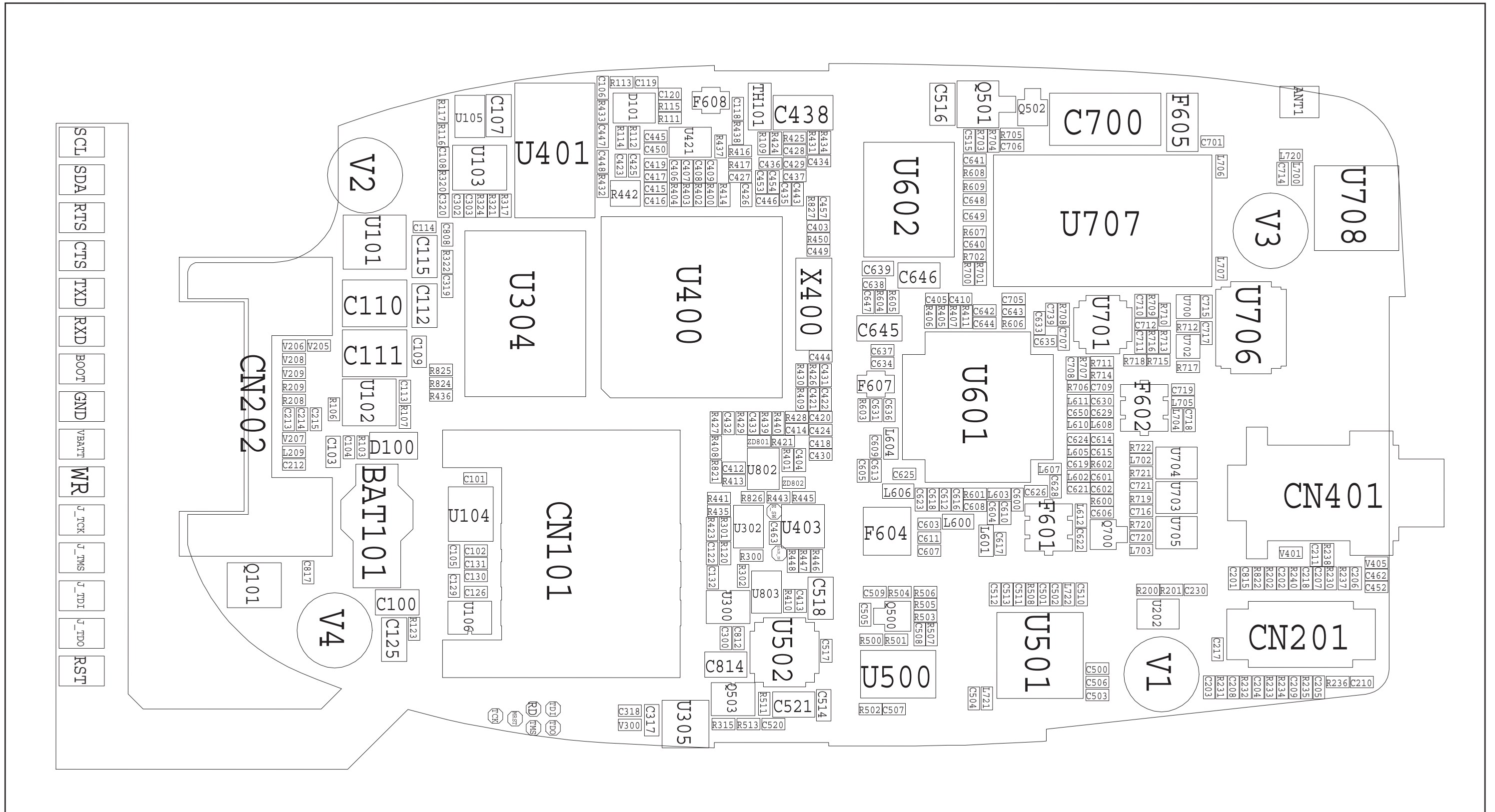
GH46-00023A

## 2. PCB Diagrams

### 2-1 Main Top



2-2 Main Bottom



## 3. Electrical Parts List

### 3-1 Main Parts List Top

NO	Reference	SER CODE	Part Description	Vendor Part No.
1	C121	2404-001105	"C-TA,CHIP;10UF/6.3V"	TESVSPOJ475M8RTJ
2	C128	2404-001105	"C-TA,CHIP;10UF/6.3V"	TESVSPOJ475M8RTJ
3	U107	1203-002127	IC;LTC1734ES6-4.2#TR	LTC1734ES6-4.2#TR
4	R122	2007-007107	"R-CHIP;100K,1%"	RK73H1ETP1003F
5	R119	2007-007590	"R-CHIP;82K,1%"	MCR01MZSF8202
6	C123	2203-005061	"C-CERAMIC,CHIP;C104Z,100NF,16V"	GRP155F51C104ZA01E
7	R124	2007-008117	"R-CHIP;2.7K,1%"	RK73H1ETP2701F
8	F200	2901-001116	COMP-SMD;NFM39R12C471T1	NFM39R12C471T1
9	F201	2901-001116	COMP-SMD;NFM39R12C471T1	NFM39R12C471T1
10	"R211,R212"	2011-001344	R-CHIP;CRB2A4E101JT	CRB2A4E101JT
11	ZD202	0406-001104	TR-SMALL SIGNAL;ESDA6V1-5W6	ESDA6V1-5W6
12	ZD203	0406-001083	TR-SMALL SIGNAL;ESDA6V1W5	ESDA6V1W5
13	"ZD400,ZD402"	1405-001082	IC;VC040205X150R	VC040205X150R
14	R802	2007-007009	R-CHIP;75	ERJ2GEJ750X
15	R806	2007-007009	R-CHIP;75	ERJ2GEJ750X
16	"D804,D805,D800"	0601-001547	IC;SLS-NNBL102TS	SLS-NNBL102TS
17	R805	2007-007009	R-CHIP;75	ERJ2GEJ750X
18	C803	2203-000679	"C-CERAMIC,CHIP;C270J,27PF,50V"	GRP1555C1H270JZ01E
19	C801	2203-002443	"C-CERAMIC,CHIP;C331K,330PF,50V"	GRP155R71H122KD01E
20	D803	0601-001547	IC;SLS-NNBL102TS	SLS-NNBL102TS
21	"C805,C807"	2203-000679	"C-CERAMIC,CHIP;C270J,27PF,50V"	GRP1555C1H270JZ01E
22	R801	2007-007009	R-CHIP;75	ERJ2GEJ750X
23	"C804,C809,C307,C311"	2203-000679	"C-CERAMIC,CHIP;C270J,27PF,50V"	GRP1555C1H270JZ01E
24	R820	2007-007771	"R-CHIP;0,5%"	ERJ2GEJ0R0E
25	"D802,D807,D801"	0601-001611	IC;SLS-NNWH102TS	SLS-NNWH102TS
26	R804	2007-007009	R-CHIP;75	ERJ2GEJ750X
27	R808	2007-007009	R-CHIP;75	ERJ2GEJ750X
28	R803	2007-007009	R-CHIP;75	ERJ2GEJ750X
29	C806	2203-000679	"C-CERAMIC,CHIP;C270J,27PF,50V"	GRP1555C1H270JZ01E
30	C216	2203-000138	"C-CERAMIC,CHIP;C152K,1.5NF,50V"	GRP155R71H152KD01E
31	U201	0801-000794	IC;TC7S08FUTE85L	TC7S08FUTE85L
32	R306	2007-000148	"R-CHIP;10K,5%"	ERJ2GEJ103X
33	C301	2203-000254	"C-CERAMIC,CHIP;C103K,10NF,16V"	GRP155R71C103KA01E
34	"C304,C314"	NEW-ITEAM11	"C-CERAMIC,CHIP;4.7UF/6.3V"	
35	R305	2007-007014	"R-CHIP;51K,5%"	ERJ2GEJ513X
36	R308	2007-001325	"R-CHIP;3.3K,5%"	ERJ2GEJ332X
37	C308	2203-000438	"C-CERAMIC,CHIP;C102K,1NF,50V"	GRP155R71H102KA01E
38	C305	2203-005061	"C-CERAMIC,CHIP;C104Z,100NF,16V"	GRP155F51C104ZA01E
39	U303	1204-001811	IC;YMU759-QE2	YMU759-QE2

NO	Reference	SER CODE	Part Description	Vendor Part No.
40	V402	1405-001082	IC;VC040205X150R	VC040205X150R
41	C310	2203-000679	"C-CERAMIC,CHIP;C270J,27PF,50V"	GRP1555C1H270JZ01E
42	C306	2203-000870	"C-CERAMIC,CHIP;C030C,3PF,50V"	GRP1555C1H3R0CZ01E
43	C315	2203-005061	"C-CERAMIC,CHIP;C104Z,100NF,16V"	GRP155F51C104ZA01E
44	R310	2007-000831	"R-CHIP;39K,5%"	RC1005J393CS
45	C312	2203-001405	"C-CERAMIC,CHIP;C223Z,22NF,25V"	GRP155F51E223ZD01E
46	C309	2203-005061	"C-CERAMIC,CHIP;C104Z,100NF,16V"	GRP155F51C104ZA01E
47	R313	2007-000775	"R-CHIP;33K,5%"	ERJ2GEJ333X
48	C313	2203-000654	"C-CERAMIC,CHIP;C271K,270PF,50V"	GRP155R71H271KD01E
49	"R312,R314"	2007-000775	"R-CHIP;33K,5%"	ERJ2GEJ333X
50	C316	2203-000885	"C-CERAMIC,CHIP;C472K.4.7NF,25V"	GRP155R71E472KA01E
51	"V403,V404"	1405-001082	IC;VC040205X150R	VC040205X150R
52	C440	2203-000995	"C-CERAMIC,CHIP;C470J,47PF,50V"	GRP1555C1H470JZ01E
53	ZD401	0406-001084	TR-SMALL SIGNAL;SMF05.TB	SMF05.TB
54	C451	2203-000679	"C-CERAMIC,CHIP;C270J,27PF,50V"	GRP1555C1H270JZ01E
55	C461	2203-005444	"C-CERAMIC,CHIP;C030B,3PF,50V"	GRP1555C1H3R0BZ01E
56	C442	2203-000995	"C-CERAMIC,CHIP;C470J,47PF,50V"	GRP1555C1H470JZ01E
57	V400	1405-001082	IC;VC040205X150R	VC040205X150R
58	R807	2007-007009	R-CHIP;75	ERJ2GEJ750X
59	D806	0601-001611	IC;SLS-NNWH102TS	SLS-NNWH102TS
60	C800	2203-005061	"C-CERAMIC,CHIP;C104Z,100NF,16V"	GRP155F51C104ZA01E
61	R814	2007-000162	"R-CHIP;100K,5%"	ERJ2GEJ563X
62	"C810,C802,C811"	2203-000679	"C-CERAMIC,CHIP;C270J,27PF,50V"	GRP1555C1H270JZ01E
63	SW801	1009-001006	IC;A3210ELH	A3210ELH
64	U801	0504-001058	TR-SMALL SIGNAL;BCR08PN	BCR08PN



### 3-2 Main Parts List Bottom

NO	Reference	SER CODE	Part Description	Vendor Part No.
1	D100	0401-001033	TR-SMALL SIGNAL;MCL4154	MCL4154
2	D300	0407-000115	TR-SMALL SIGNAL;DAN202UT106	DAN202UT106
3	D101	0407-001007	TR-SMALL SIGNAL;UMN1	UMN1
4	Q302	0501-000162	TR-SMALL SIGNAL;2SA1576FRT106	2SA1576FRT106
5	Q500	0501-000225	TR-SMALL SIGNAL;2SC4617	2SC4617
6	Q802	0501-002011	TR-SMALL SIGNAL;2SD2114KT146V	2SD2114KT146V
7	Q103	0502-001201	TR-SMALL SIGNAL;ZXT13P20DE6	ZXT13P20DE6
8	"Q301,Q502"	0504-000167	TR-SMALL SIGNAL;DTC114EE/TR	DTC114EE/TR
9	"Q700,Q801,Q803,Q804"	0504-001012	TR-SMALL SIGNAL;DTC114YE	DTC114YE
10	Q501	0504-001021	TR-SMALL SIGNAL;DTB113ZK	DTB113ZK
11	"U703,U704,U705"	0504-001058	TR-SMALL SIGNAL;BCR08PN	BCR08PN
12	U802	0504-001058	TR-SMALL SIGNAL;BCR08PN	BCR08PN
13	"Q503,U106,U300"	0505-001423	TR-SMALL SIGNAL;FDG6323L	FDG6323L
14	U105	0506-001004	LED;UMC5NTL	UMC5NTL
15	LED802	0601-001402	IC;CL-165HR/YG-D	CL-165HR/YG-D
16	LED801	0601-001547	IC;SLS-NNBL102TS	SLS-NNBL102TS
17	"U301,U803"	0801-002237	IC;TC7SH04FU-TE85L	TC7SH04FU-TE85L
18	"U202,U302"	0801-002540	IC;NC7SZ19P6X	NC7SZ19P6X
19	U421	1001-001145	IC;MAX4599EXT-T	MAX4599EXT-T
20	U403	1201-001729	IC;LMC6035IBPX	LMC6035IBPX
21	U707	1201-001785	IC;PF08122B	PF08122B
22	U104	1203-001518	IC;MIC5219-3.3BM5	MIC5219-3.3BM5
23	U103	1203-001511	IC;MAX809REUR-T	MAX809REUR-T
24	U400	1205-001881	IC;VP40553	VP40553
25	U601	1205-001935	IC;HD155128TF	HD155128TF
26	U501	1209-001337	IC;SI4133-MLP28	SI4133-MLP28
27	U701	1209-001379	IC;HD155173ANPEL	HD155173ANPEL
28	TH101	1404-001005	IC;NTH5G40B473J01TE	NTH5G40B473J01TE
29	"V205,V206"	1405-001093	IC;AVL14K02200	AVL14K02200
30	V401	1405-001082	IC;VC040205X150R	VC040205X150R
31	V405	1405-001082	IC;VC040205X150R	VC040205X150R
32	ZD802	1405-001082	IC;VC040205X150R	VC040205X150R
33	"V207,V208,V209"	1405-001093	IC;VC040214X200	VC040214X200
34	"R208,R209,R604"	2007-000138	"R-CHIP;100,5%"	ERJ2GEJ101X
35	R809	2007-000138	"R-CHIP;100,5%"	ERJ2GEJ101X
36	"R424,R434"	2007-000139	"R-CHIP;220,5%"	ERJ2GEJ221X
37	"R103,R107,R230,R231"	2007-000140	"R-CHIP;1K,5%"	ERJ2GEJ102X
38	"R232,R233,R234,R235"	2007-000140	"R-CHIP;1K,5%"	ERJ2GEJ102X
39	"R236,R237,R238,R240"	2007-000140	"R-CHIP;1K,5%"	ERJ2GEJ102X
40	"R506,R507,R603"	2007-000140	"R-CHIP;1K,5%"	ERJ2GEJ102X
41	"R432,R433"	2007-000141	"R-CHIP;2.2K,5%"	ERJ2GEJ222X
42	"R315,R401,R414,R508"	2007-000148	"R-CHIP;10K,5%"	ERJ2GEJ103X
43	"R416,R417,R421,R435"	2007-000148	"R-CHIP;10K,5%"	ERJ2GEJ103X

NO	Reference	SER CODE	Part Description	Vendor Part No.
44	"R440,R502,R511,R513"	2007-000148	"R-CHIP;10K,5%"	ERJ2GEJ103X
45	"R714,R719,R720,R721"	2007-000148	"R-CHIP;10K,5%"	ERJ2GEJ103X
46	R123	2007-000148	"R-CHIP;10K,5%"	ERJ2GEJ103X
47	R423	2007-000152	"R-CHIP;20K,5%"	ERJ2GEJ203X
48	R711	2007-000153	"R-CHIP;22K,5%"	RC1005J223CS
49	R505	2007-000155	"R-CHIP;27K,5%"	RC1005J273CS
50	"R412,R426,R430"	2007-000157	"R-CHIP;47K,5%"	ERJ2GEJ473X
51	R109	2007-000159	"R-CHIP;56K,5%"	ERJ2GEJ563X
52	"R106,R112,R113,R114"	2007-000162	"R-CHIP;100K,5%"	ERJ2GEJ563X
53	"R115,R116,R117"	2007-000162	"R-CHIP;100K,5%"	ERJ2GEJ563X
54	"R200,R201,R300,R301"	2007-000162	"R-CHIP;100K,5%"	ERJ2GEJ563X
55	"R302,R317,R321,R322"	2007-000162	"R-CHIP;100K,5%"	ERJ2GEJ563X
56	"R408,R409,R410,R413"	2007-000162	"R-CHIP;100K,5%"	ERJ2GEJ563X
57	"R427,R429,R437,R812"	2007-000162	"R-CHIP;100K,5%"	ERJ2GEJ563X
58	"R823,R824,R825,R826"	2007-000162	"R-CHIP;100K,5%"	ERJ2GEJ563X
59	R445	2007-000163	"R-CHIP;120K,5%"	RC1005J124CS
60	R428	2007-000168	"R-CHIP;470K,5%"	ERJ2GEJ474X
61	"R446,R447"	2007-000170	"R-CHIP;1M,5%"	ERJ2GEJ105X
62	R448	2007-003029	"R-CHIP;820K,1%"	ERJ3GEJ824X
63	"R500,R713"	2007-000172	"R-CHIP;10,5%"	ERJ2GEJ100X
64	"R600,R602"	2007-000173	"R-CHIP;22,5%"	ERJ2GEJ220X
65	"R609,R709,R710"	2007-000174	"R-CHIP;47,5%"	ERJ2GEJ470X
66	"R715,R716"	2007-000174	"R-CHIP;47,5%"	ERJ2GEJ470X
67	R316	2007-000242	"R-CHIP;1.5K,5%"	ERJ2GEJ152X
68	R722	2007-000831	"R-CHIP;39K,5%"	RC1005J393CS
69	"R605,R701,R702,R718"	2007-001290	"R-CHIP;24,5%"	MCR01MZSJ240
70	R700	2007-001295	"R-CHIP;39,5%"	RC1005J390CS
71	"R712,R717,R815,R705"	2007-001298	"R-CHIP;51,5%"	ERJ2GEJ510X
72	R810	2007-001306	"R-CHIP;150,5%"	RC1005J151CS
73	R504	2007-001307	"R-CHIP;180,5%"	RC1005J181CS
74	"R304,R608,R813,R607"	2007-001313	"R-CHIP;330,5%"	ERJ2GEJ331X
75	R503	2007-001325	"R-CHIP;3.3K,5%"	ERJ2GEJ332X
76	"R425,R431"	2007-002796	"R-CHIP;510,5%"	ERJ2GEJ511X
77	R811	2007-003013	"R-CHIP;2.4K,5%"	RC1005J242CS
78	"R703,R704"	2007-001288	"R-CHIP;18,5%"	MCR01MZSJ180
79	R601	2007-007001	"R-CHIP;3.9K,5%"	RC1005J392CS
80	R501	2007-007013	"R-CHIP;9.1K,5%"	RC1005J912CS
81	R606	2007-007135	"R-CHIP;18K,1%"	MCR01MZSF3901
82	"R706,R707,R324"	2007-007142	"R-CHIP;10K,1%"	RK73H1ETP1002F
83	R708	2007-007314	"R-CHIP;5.6K,1%"	ERJ2GEJ513X
84	"R400,R402,R403,R404"	2007-007317	"R-CHIP;2.2K,1%"	MCR01MZSF2201

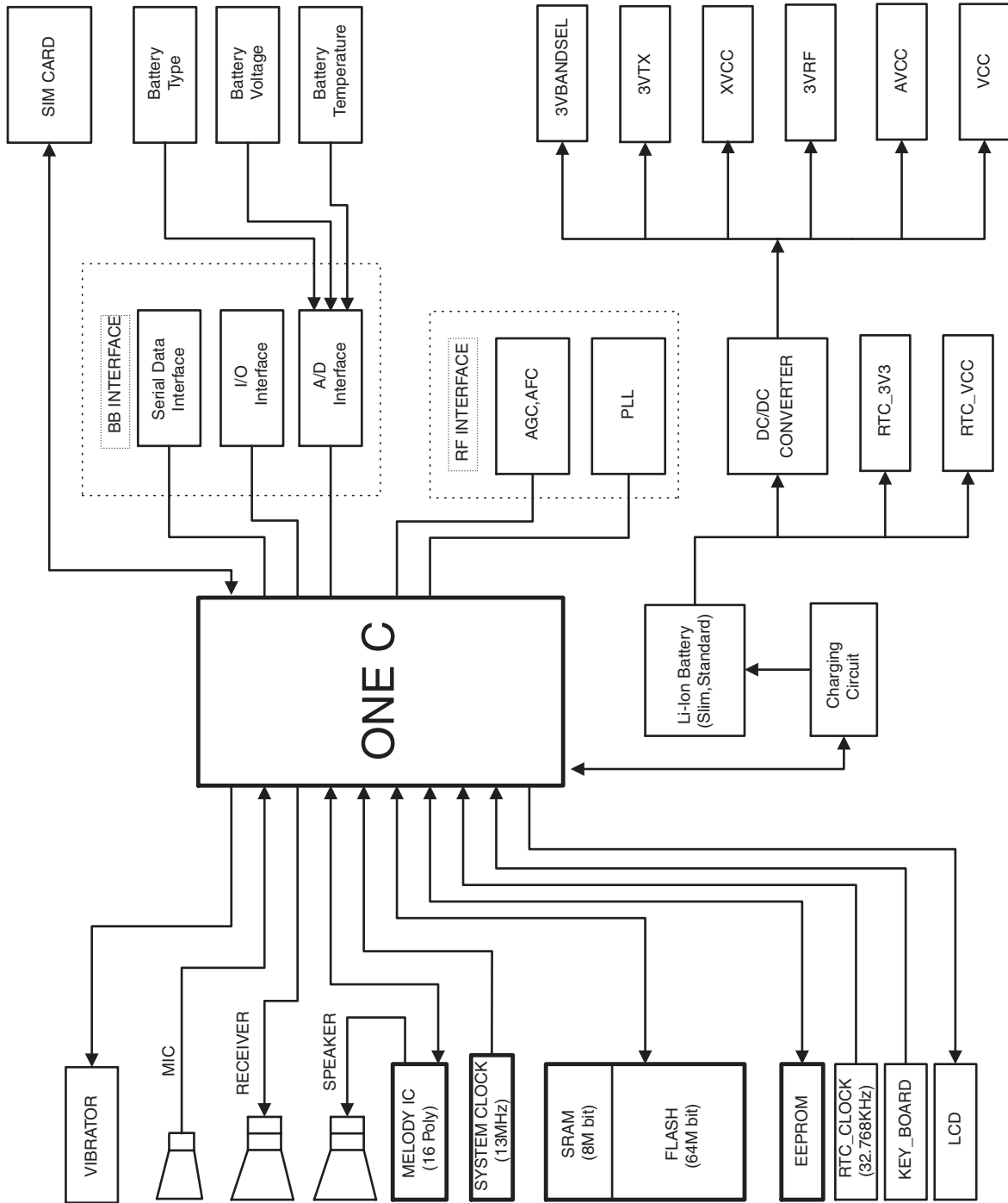
NO	Reference	SER CODE	Part Description	Vendor Part No.
85	"R405,R406,R407,R411"	2007-007318	"R-CHIP;1K,1%"	RK73H1ETP1001F
86	"R111,R202,R318"	2007-007771	"R-CHIP;0,5%"	ERJ2GEJ0R0E
87	"R320,R418,R436,R827"	2007-007771	"R-CHIP;0,5%"	ERJ2GEJ0R0E
88	"R438,R827"	2007-007771	"R-CHIP;0,5%"	ERJ2GEJ0R0E
89	R443	2007-007981	"R-CHIP;180K,1%"	ERJ2RKF1803X
90	R442	2011-001345	R-CHIP;EXB28V103JX	EXB28V103JX
91	"C101,C406,C407,C408"	2203-000233	"C-CERAMIC,CHIP;C101J,100PF,50V"	GRP1555C1H101JD01E
92	"C409,C512,C513"	2203-000233	"C-CERAMIC,CHIP;C101J,100PF,50V"	GRP1555C1H101JD01E
93	C600	2203-000233	"C-CERAMIC,CHIP;C101J,100PF,50V"	GRP1555C1H101JD01E
94	"C102,C104,C106,C113"	2203-000254	"C-CERAMIC,CHIP;C103K,10NF,16V"	GRP155R71C103KA01E
95	"C114,C126,C300"	2203-000254	"C-CERAMIC,CHIP;C103K,10NF,16V"	GRP155R71C103KA01E
96	"C303,C404,C415"	2203-000254	"C-CERAMIC,CHIP;C103K,10NF,16V"	GRP155R71C103KA01E
97	"C418,C419,C420,C421"	2203-000254	"C-CERAMIC,CHIP;C103K,10NF,16V"	GRP155R71C103KA01E
98	C427	2203-000254	"C-CERAMIC,CHIP;C103K,10NF,16V"	GRP155R71C103KA01E
99	"C463,C505,C507"	2203-000254	"C-CERAMIC,CHIP;C103K,10NF,16V"	GRP155R71C103KA01E
100	"C508,C509,C603,C637"	2203-000254	"C-CERAMIC,CHIP;C103K,10NF,16V"	GRP155R71C103KA01E
101	"C642,C812,C638"	2203-000254	"C-CERAMIC,CHIP;C103K,10NF,16V"	GRP155R71C103KA01E
102	C648	2203-000278	"C-CERAMIC,CHIP;C100D,10PF,50V"	GRP1555C1H100JZ01E
103	C708	2203-000311	"C-CERAMIC,CHIP;C121J,120PF,50V"	GRP1555C1H121JD01E
104	C623	2203-000359	"C-CERAMIC,CHIP;C151J,150PF,50V"	GRP1555C1H151JD01E
105	"C605,C610,C613,C614"	2203-000425	"C-CERAMIC,CHIP;C180J,18PF,50V"	GRP1555C1H180JZ01E
106	"C626,C202,C217,C213"	2203-000425	"C-CERAMIC,CHIP;C180J,18PF,50V"	GRP1555C1H180JZ01E
107	"C506,C602,C606"	2203-000438	"C-CERAMIC,CHIP;C102K,1NF,50V"	GRP155R71H102KA01E
108	"C612,C615,C616,C617"	2203-000438	"C-CERAMIC,CHIP;C102K,1NF,50V"	GRP155R71H102KA01E
109	"C618,C625,C633,C634"	2203-000438	"C-CERAMIC,CHIP;C102K,1NF,50V"	GRP155R71H102KA01E
110	"C635,C644,C707,C711"	2203-000438	"C-CERAMIC,CHIP;C102K,1NF,50V"	GRP155R71H102KA01E
111	C716	2203-000438	"C-CERAMIC,CHIP;C102K,1NF,50V"	GRP155R71H102KA01E
112	C646	2203-000609	"C-CERAMIC,CHIP;C223K,22NF,50V"	GRM216R71H223KA01D
113	"C122,C130,C131,C132"	2203-000679	"C-CERAMIC,CHIP;C270J,27PF,50V"	GRP1555C1H270JZ01E
114	"C201,C203,C204,C205"	2203-000679	"C-CERAMIC,CHIP;C270J,27PF,50V"	GRP1555C1H270JZ01E
115	"C206,C207,C208,C209"	2203-000679	"C-CERAMIC,CHIP;C270J,27PF,50V"	GRP1555C1H270JZ01E
116	"C210,C211,C212,C213"	2203-000679	"C-CERAMIC,CHIP;C270J,27PF,50V"	GRP1555C1H270JZ01E
117	"C214,C817,C818"	2203-000679	"C-CERAMIC,CHIP;C270J,27PF,50V"	GRP1555C1H270JZ01E
118	"C430,C431,C432"	2203-000679	"C-CERAMIC,CHIP;C270J,27PF,50V"	GRP1555C1H270JZ01E
119	"C433,C434,C436,C444"	2203-000679	"C-CERAMIC,CHIP;C270J,27PF,50V"	GRP1555C1H270JZ01E
120	"C445,C449,C452"	2203-000679	"C-CERAMIC,CHIP;C270J,27PF,50V"	GRP1555C1H270JZ01E
121	"C453,C454,C601,C631"	2203-000679	"C-CERAMIC,CHIP;C270J,27PF,50V"	GRP1555C1H270JZ01E
122	"C636,C649,C720"	2203-000679	"C-CERAMIC,CHIP;C270J,27PF,50V"	GRP1555C1H270JZ01E
123	"C721,C722"	2203-000679	"C-CERAMIC,CHIP;C270J,27PF,50V"	GRP1555C1H270JZ01E
124	C808	2203-000679	"C-CERAMIC,CHIP;C270J,27PF,50V"	GRP1555C1H270JZ01E
125	"C411,C412,C413,C414"	2203-000812	"C-CERAMIC,CHIP;C330J,33PF,50V"	GRP1555C1H330JZ01E
126	"C416,C417,C422,C423"	2203-000812	"C-CERAMIC,CHIP;C330J,33PF,50V"	GRP1555C1H330JZ01E
127	"C424,C425,C429,C447"	2203-000812	"C-CERAMIC,CHIP;C330J,33PF,50V"	GRP1555C1H330JZ01E

NO	Reference	SER CODE	Part Description	Vendor Part No.
128	"C448,C640,C641"	2203-000812	"C-CERAMIC,CHIP;C330J,33PF,50V"	GRP1555C1H330JZ01E
129	C462	2203-000870	"C-CERAMIC,CHIP;C030C,3PF,50V"	GRP1555C1H3R0CZ01E
130	"C504,C510,C816"	2203-000995	"C-CERAMIC,CHIP;C470J,47PF,50V"	GRP1555C1H470JZ01E
131	"C629,C630,C705,C706"	2203-000995	"C-CERAMIC,CHIP;C470J,47PF,50V"	GRP1555C1H470JZ01E
132	"C710,C712,C715,C717"	2203-000995	"C-CERAMIC,CHIP;C470J,47PF,50V"	GRP1555C1H470JZ01E
133	C718	2203-000995	"C-CERAMIC,CHIP;C470J,47PF,50V"	GRP1555C1H470JZ01E
134	C739	2203-001124	"C-CERAMIC,CHIP;C681K,680PF,50V"	GRP155R71H681KD01E
135	C709	2203-001239	"C-CERAMIC,CHIP;C820J,82PF,50V"	GRP1555C1H820JD01E
136	C312	2203-001405	"C-CERAMIC,CHIP;C223Z,22NF,25V"	GRP155F51E223ZD01E
137	C643	2203-002687	"C-CERAMIC,CHIP;C122K,1.2NF,50V"	GRP1555C1H9R0DZ01E
138	"C607,C611"	2203-003054	"C-CERAMIC,CHIP;C090C,9PF,50V"	GRP1555C1H9R0DZ01E
139	C719	2203-005053	"C-CERAMIC,CHIP;C3R9C,3.9PF,50V"	GRP1555C1H3R9CZ01E
140	C621	2203-005054	"C-CERAMIC,CHIP;C4R7C,4.7PF,50V"	GRP1555C1H6R8CZ01E
141	C619	2203-005056	"C-CERAMIC,CHIP;C6R8C,6.8PF,50V"	GRP1555C1H6R8CZ01E
142	"C428,C701"	2203-005057	"C-CERAMIC,CHIP;C8R2C,8.2PF,50V"	CL05C8R2CBNC
143	"C118,C119,C120"	2203-005061	"C-CERAMIC,CHIP;C104Z,100NF,16V"	GRP155F51C104ZA01E
144	"C129,C215,C230,C302"	2203-005061	"C-CERAMIC,CHIP;C104Z,100NF,16V"	GRP155F51C104ZA01E
145	C318	2203-005061	"C-CERAMIC,CHIP;C104Z,100NF,16V"	GRP155F51C104ZA01E
146	"C319,C426,C500,C501"	2203-005061	"C-CERAMIC,CHIP;C104Z,100NF,16V"	GRP155F51C104ZA01E
147	"C502,C503,C515,C517"	2203-005061	"C-CERAMIC,CHIP;C104Z,100NF,16V"	GRP155F51C104ZA01E
148	C520	2203-005061	"C-CERAMIC,CHIP;C104Z,100NF,16V"	GRP155F51C104ZA01E
149	"C103,C109,C322,C514"	2203-005065	"C-CERAMIC,CHIP;C105Z,1UF,10V"	CL10F105ZONC
150	C639	2203-005065	"C-CERAMIC,CHIP;C105Z,1UF,10V"	CL10F105ZONC
151	C650	2203-005281	"C-CERAMIC,CHIP;C1R5B,1.5PF,50V"	GRP1555C1H1R5BZ01E
152	C608	2203-005288	"C-CERAMIC,CHIP;C010B,1PF,50V"	CL05C010BBNC
153	C609	2203-005393	"C-CERAMIC,CHIP;C050B,5PF,50V"	GRP1555C1H5R0BZ01E
154	C450	2203-005444	"C-CERAMIC,CHIP;C030B,3PF,50V"	GRP1555C1H3R0BZ01E
155	"C435,C443"	2203-005480	"C-CERAMIC,CHIP;C333K,33NF,10V"	GRP155R71A333KA01E
156	C446	2203-005481	"C-CERAMIC,CHIP;C473K,47NF,10V"	GRP155R71A473KA01E
157	"C405,C410"	2203-005503	"C-CERAMIC,CHIP;C1801J,180PF,25V"	GRP1556C1E181JD01E
158	C645	2301-001232	"C-CERAMIC,CHIP;470PF,50V"	ECHU1H471JX5
159	"C100,C112,C125"	2404-001105	"C-TA,CHIP;10UF/6.3V"	TESVSP0J475M8RTJ
160	C128	2404-001105	"C-TA,CHIP;10UF/6.3V"	TESVSP0J475M8RTJ
161	"C110,C111"	2404-001134	"C-TA,CHIP;100UF/6.3V"	ECST0JZ106R
162	C438	2404-001162	"C-TA,CHIP;F950G476MAAJZTQ2"	F950G476MAAJZTQ2
163	C700	2404-001210	"C-TA,CHIP;220UF/6.3V"	220UF/6.3V
164	"L600,L601,L700"	2703-001293	INDUCTOR-SMD;HK1608-82NJ-T	HK1608-82NJ-T
165	L604	2703-001514	INDUCTOR-SMD;0603CS-68NXJBC	0603CS-68NXJBC
166	L606	2703-001685	INDUCTOR-SMD;0603CS-82NXJBC	0603CS-82NXJBC
167	L612	2703-001724	INDUCTOR-SMD;LL1005-FH1N2S	LL1005-FH1N2S
168	"L702,L703"	2703-001951	INDUCTOR-SMD;HK1005-33NJ-T	HK1005-33NJ-T
169	L705	2703-002170	INDUCTOR-SMD;CIH05T6N8JNC	CIH05T6N8JNC
170	"L605,L704,L707"	2703-002198	INDUCTOR-SMD;CIH05T10NJNC	CIH05T10NJNC

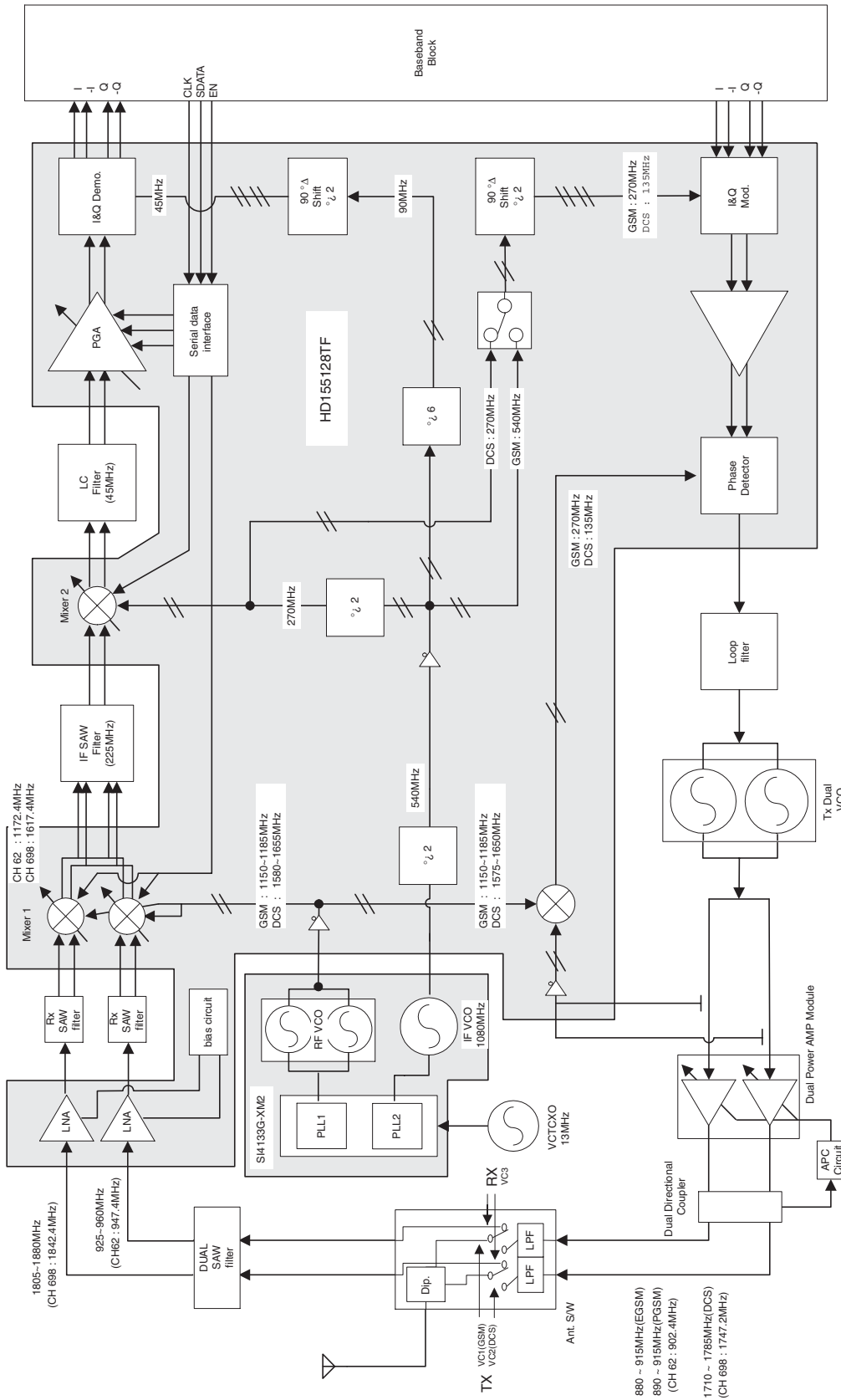
NO	Reference	SER CODE	Part Description	Vendor Part No.
171	L603	2703-002200	INDUCTOR-SMD;CIH05T18NJNC	CIH05T18NJNC
172	L209	2703-002206	INDUCTOR-SMD;CIH05T39NJNC	CIH05T39NJNC
173	L611	2703-002207	INDUCTOR-SMD;CIH05T3N3SNC	CIH05T3N3SNC
174	"L610,L706"	2703-002267	INDUCTOR-SMD;CIH05T4N7SNC	CIH05T4N7SNC
175	"L602,L607"	2703-002281	INDUCTOR-SMD;CIH05T5N6SNC	CIH05T5N6SNC
176	L720	2703-001750	INDUCTOR-SMD;LL1005-FH2N2S	LL1005-FH2N2S
177	X400	2801-004025	COMP-SMD;FC-255	FC-255
178	"F202,+B40"	2901-001116	COMP-SMD;NFM39R12C471T1	NFM39R12C471T1
179	F608	2901-001116	COMP-SMD;NFM39R12C471T1	NFM39R12C471T1
180	"F601,F602"	2904-001328	COMP-SMD;FAR-F6CS-1G8425-L250	FAR-F6CS-1G8425-L250
181	F604	2904-001348	COMP-SMD;JMK42-0031B	JMK42-0031B
182	U706	2909-001146	COMP-SMD;ES-A5010B	ES-A5010B
183	U708	3705-001226	COMP-SMD;KMS-157	KMS-157
184	CN201	3711-004990	COMP-SMD;connector	AXK6F26335
185	CN401	3722-001715	COMP-SMD;02-828P0-53BKA	02-828P0-53BKA
186	BAT101	4302-001119	COMP-SMD;MS414 FL26N	MS414 FL26N
187	U102	0505-001376	COMP-SMD;SI3865DV	SI3865DV
188	U401	1103-001262	COMP-SMD;AT24C512-10CI-2.7	AT24C512-10CI-2.7
189	U502	1203-002484	COMP-SMD;MAX8890	MAX8890
190	U101	1203-002509	COMP-SMD;R5323N301B	R5323N301B
191	CN101	3709-001190	COMP-SMD;CLE1006-093709-001101G	CLE1006-093709-001101G
192	U602	2806-001273	COMP-SMD;ENFVHZ	ENFVHZ
193	F604	2904-001348	COMP-SMD;JMK42-0031B	JMK42-0031B
194	U702	4709-001268	COMP-SMD;LDC15H200J	LDC15H200J
195	U700	4709-001267	COMP-SMD;LDC10B200J0897	LDC10B200J0897
196	U304	1109-001212	COMP-SMD;LRS1387	LRS1387
197	U500	2809-001260	COMP-SMD;VCO-TCXO	VCO-TCXO
198	"C107,C115"	2203-005664	"C-CERAMIC,CHIP;4.7UF/6.3V"	"C475K,4.7UF,6.3V"
199	"C516,C518,C521,C814"	2203-005664	"C-CERAMIC,CHIP;4.7UF/6.3V"	"C475K,4.7UF,6.3V"

# 4. Block Diagrams

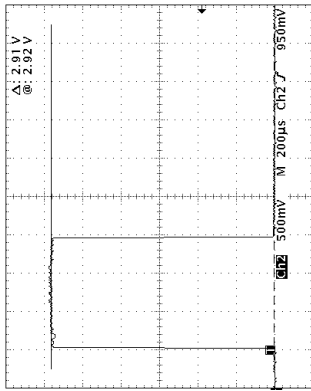
## 4-1 Main Base Band



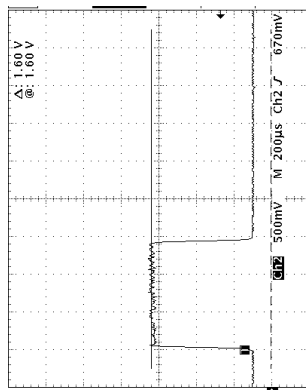
# 4-2 Main RF



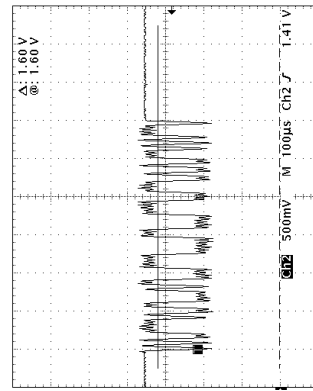
# 4-2-1 RF Transmit Part



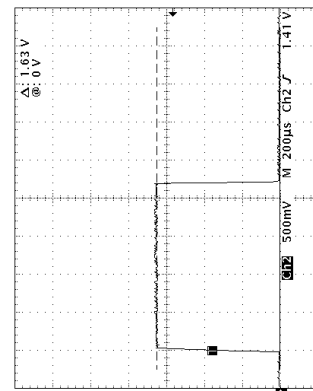
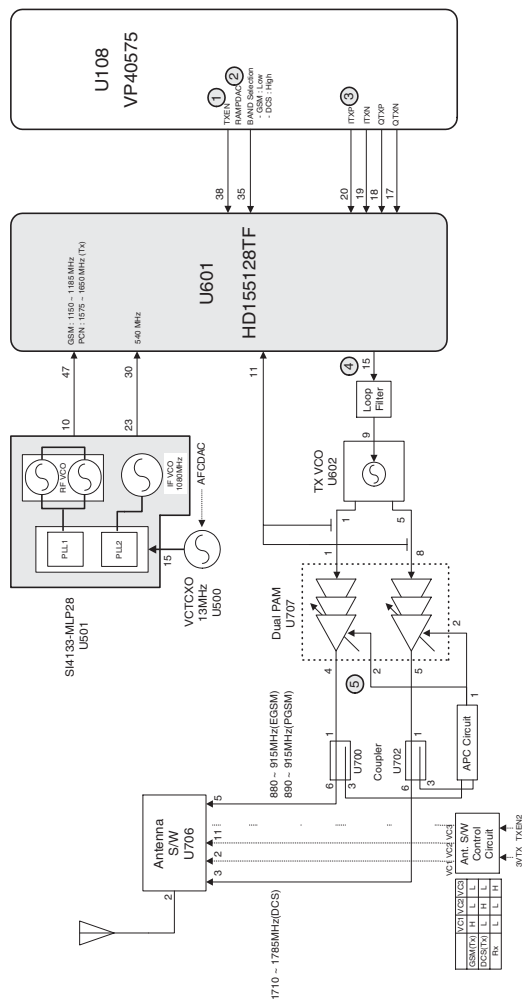
1



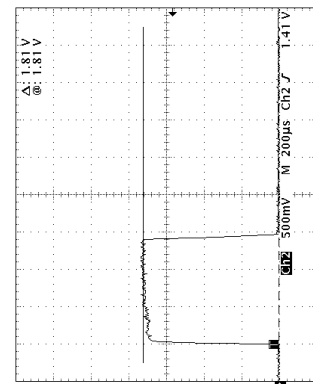
2



3



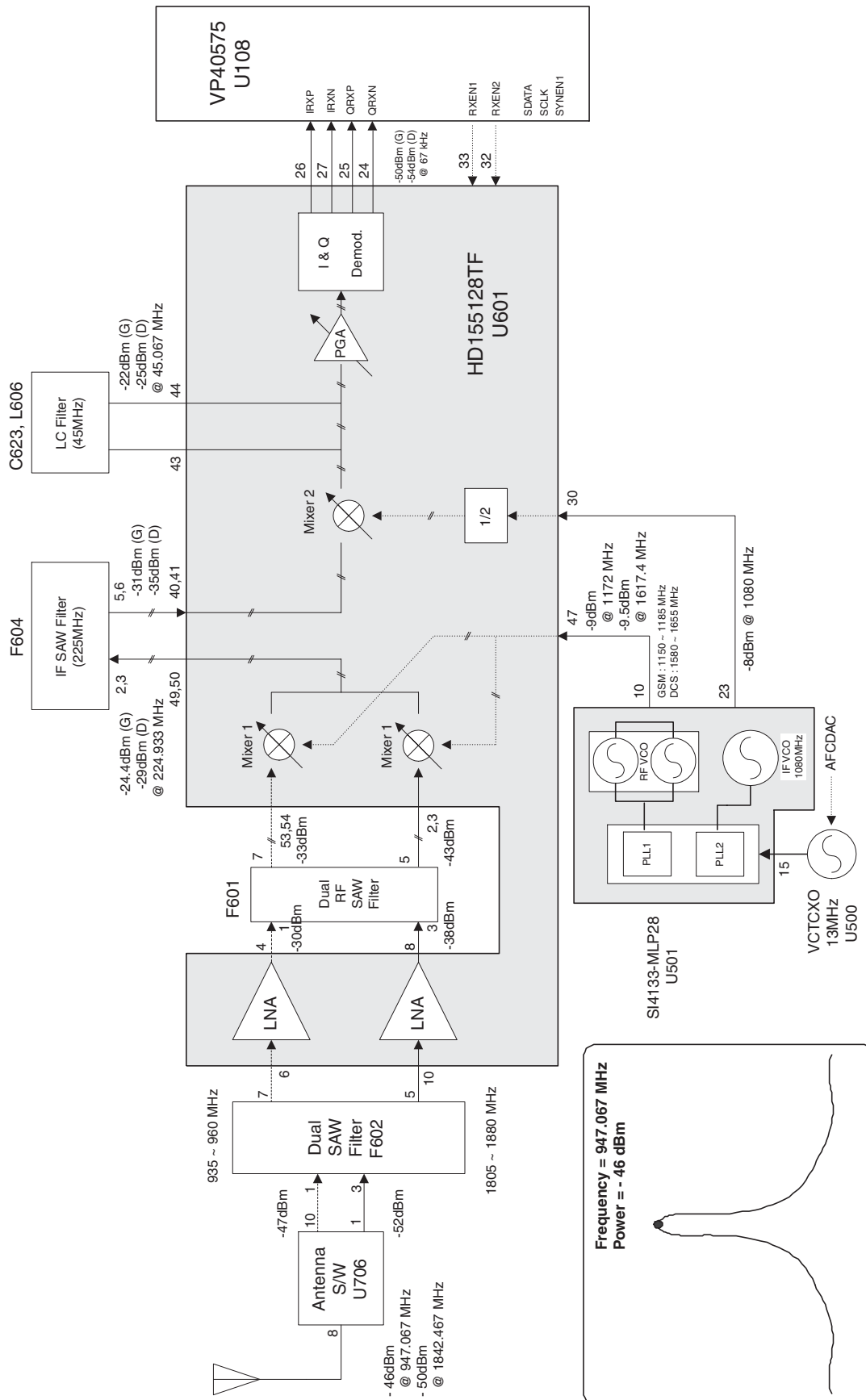
4



5

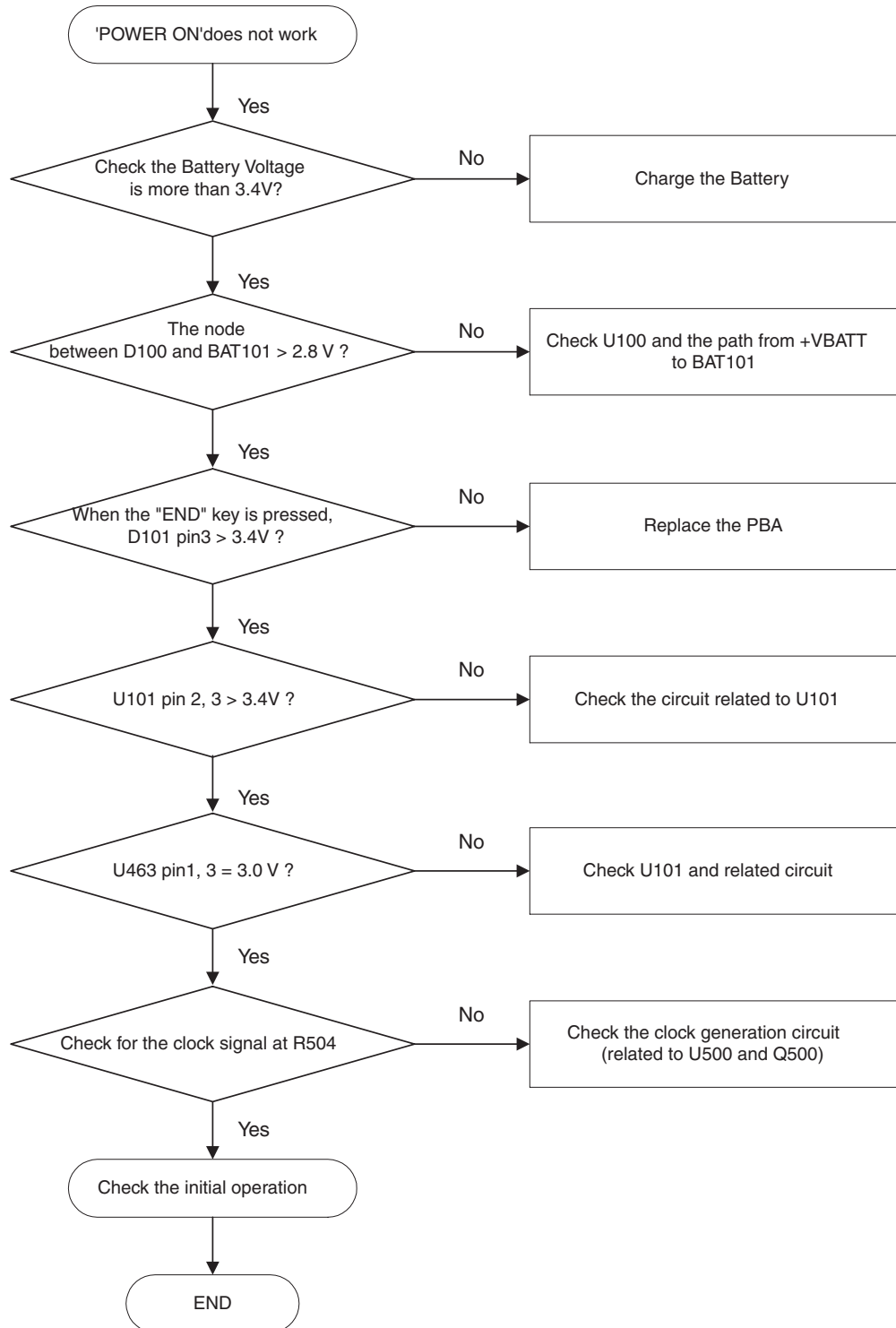


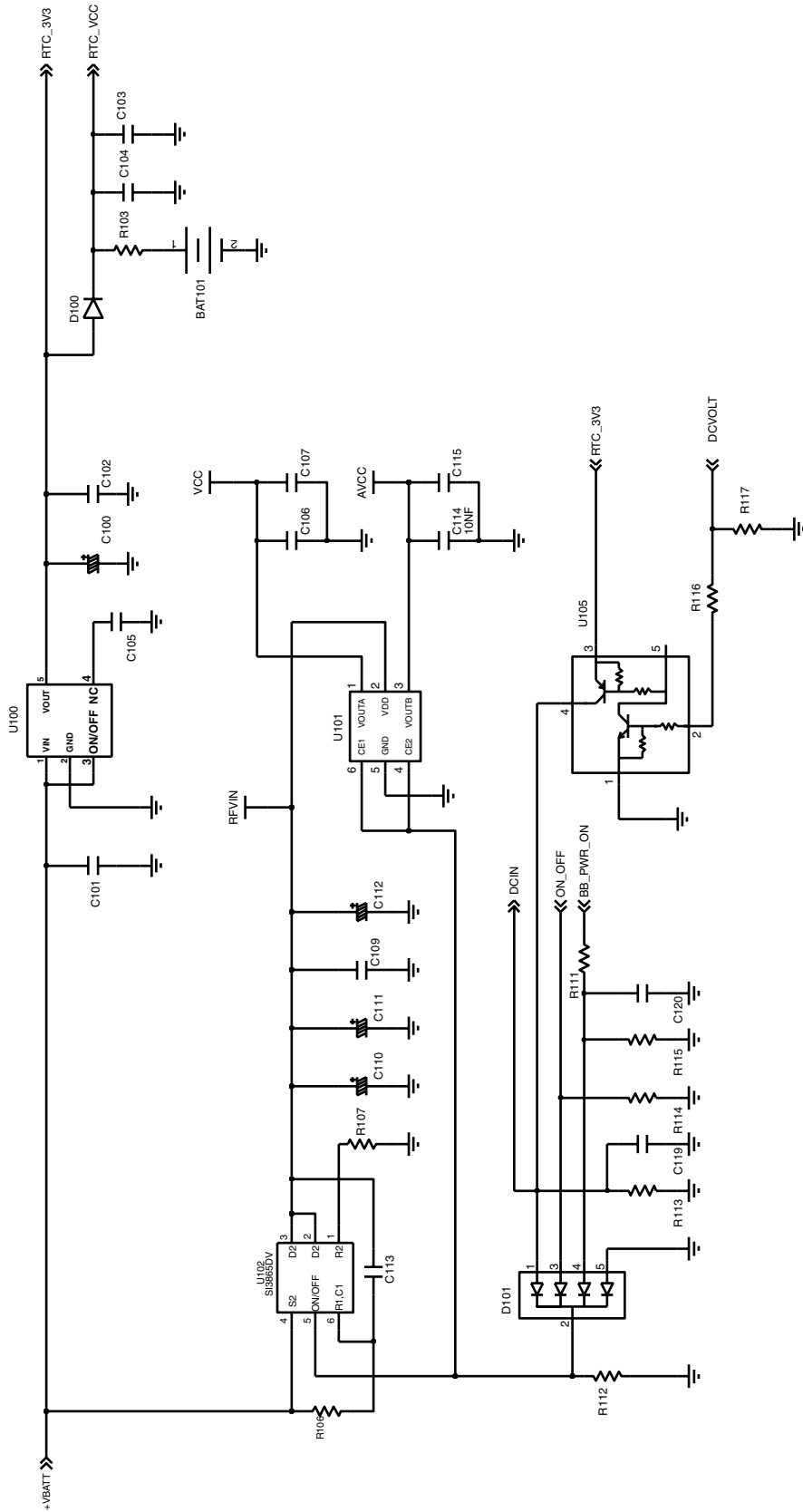
## 4-2-2 RF Receive Part



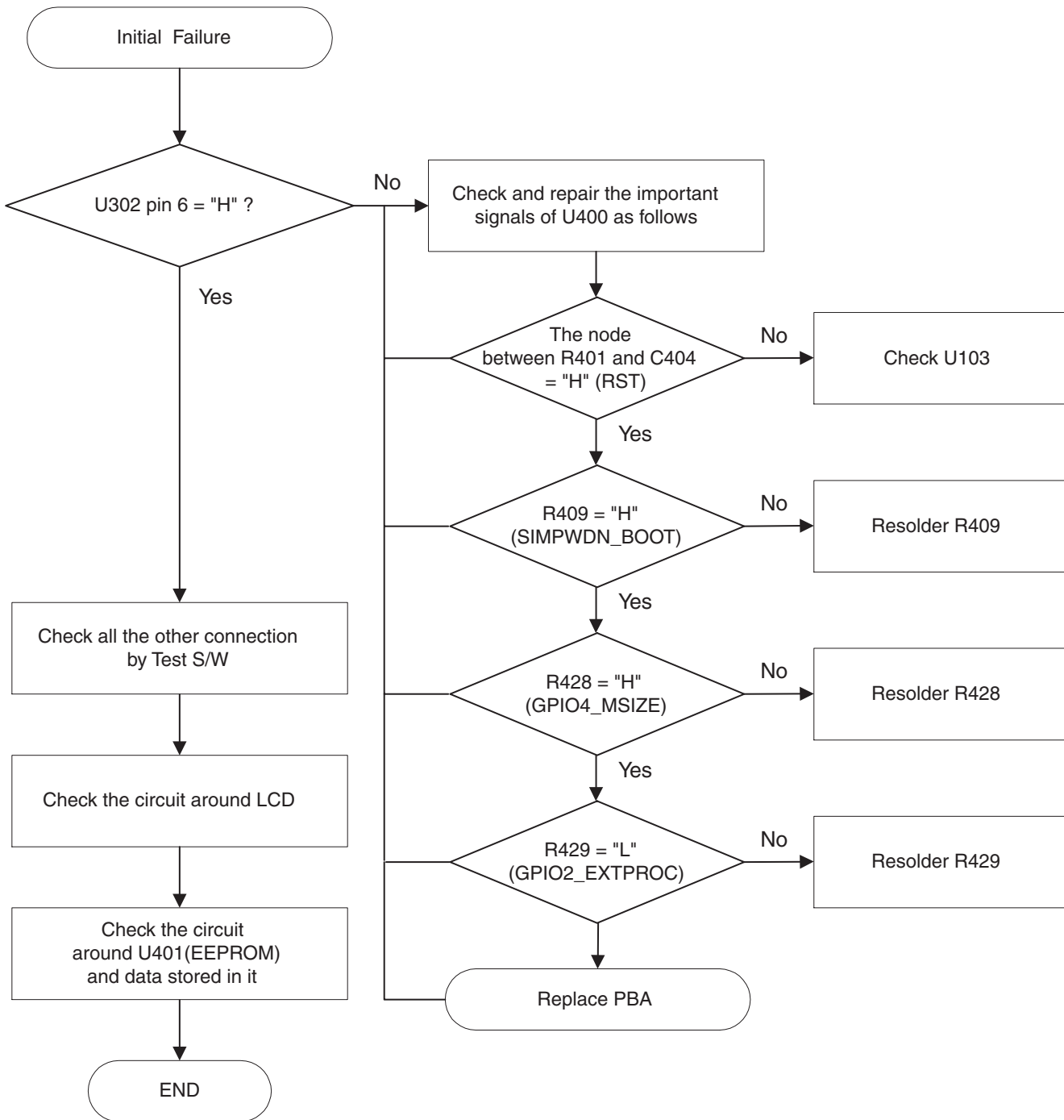
# 5. Flow Chart of Troubleshooting and Circuit Diagram

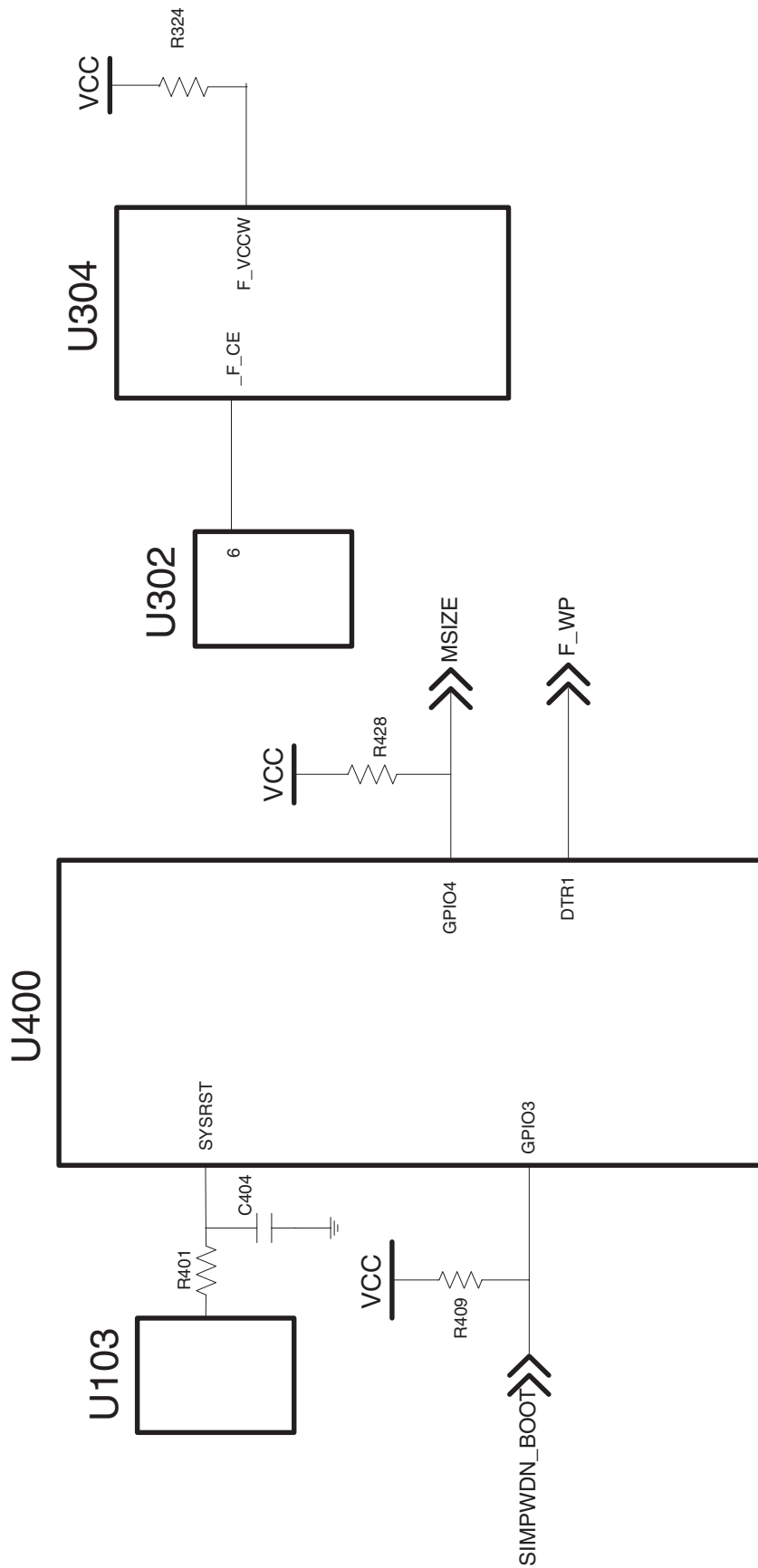
## 5-1 Power ON



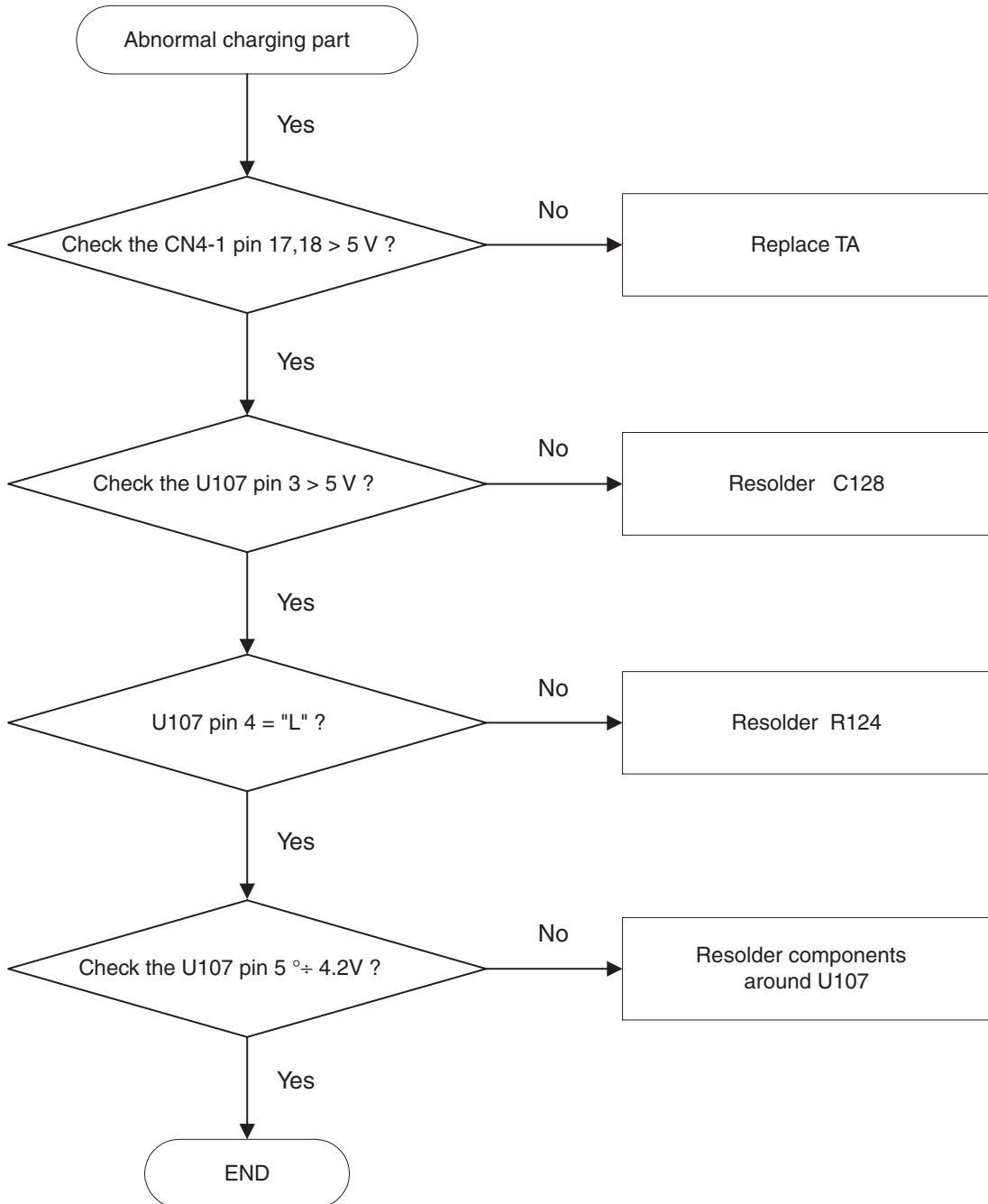


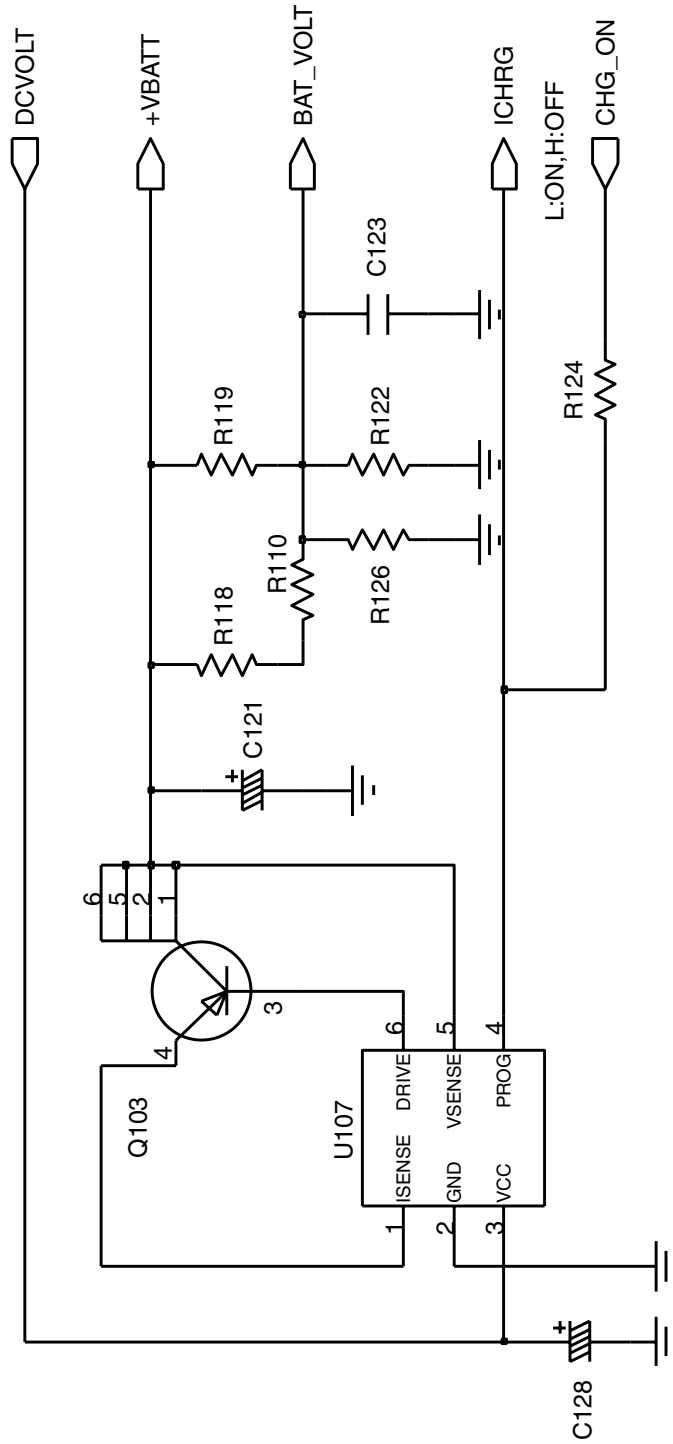
## 5-2 Initial



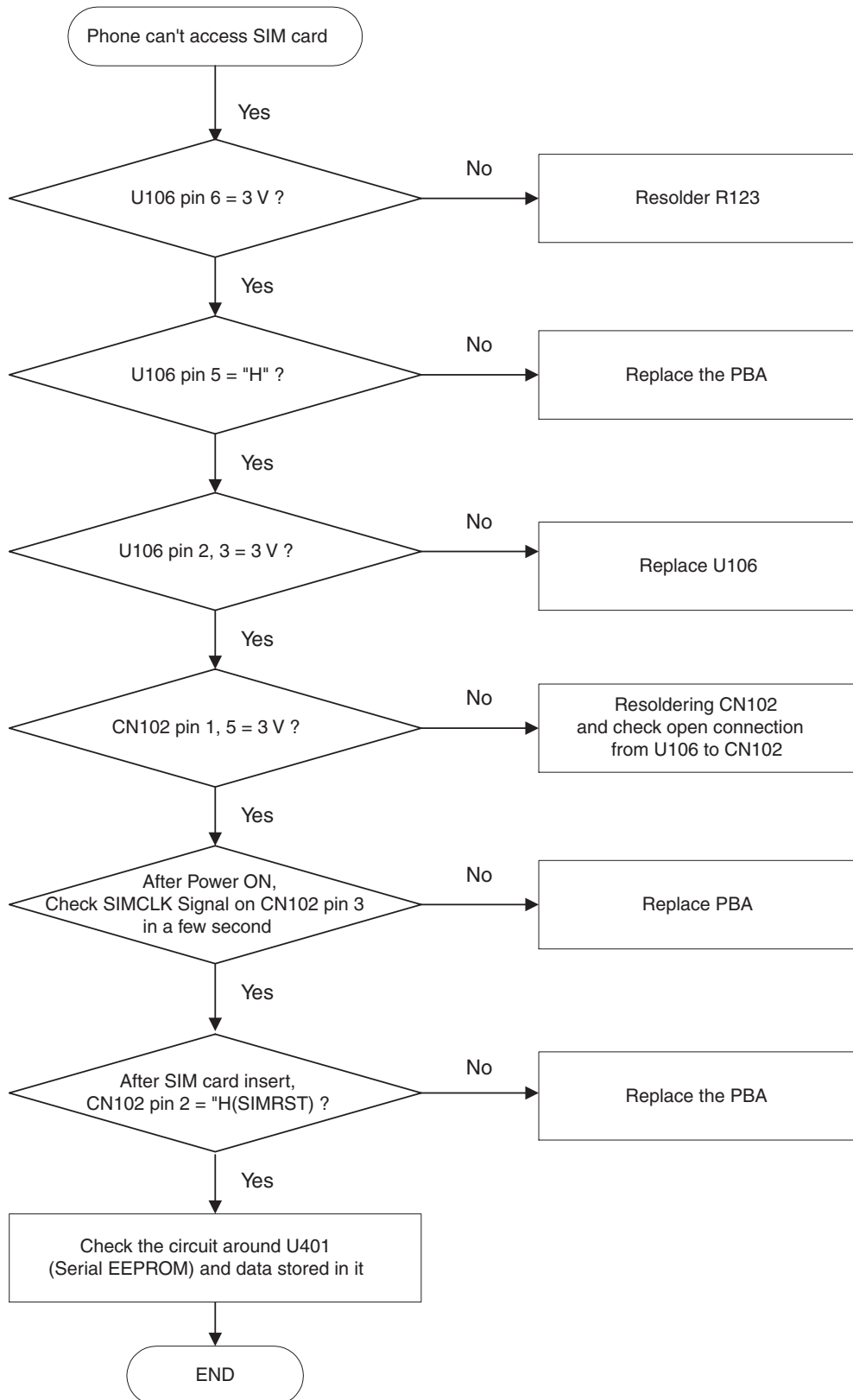


## 5-3 Charging Part

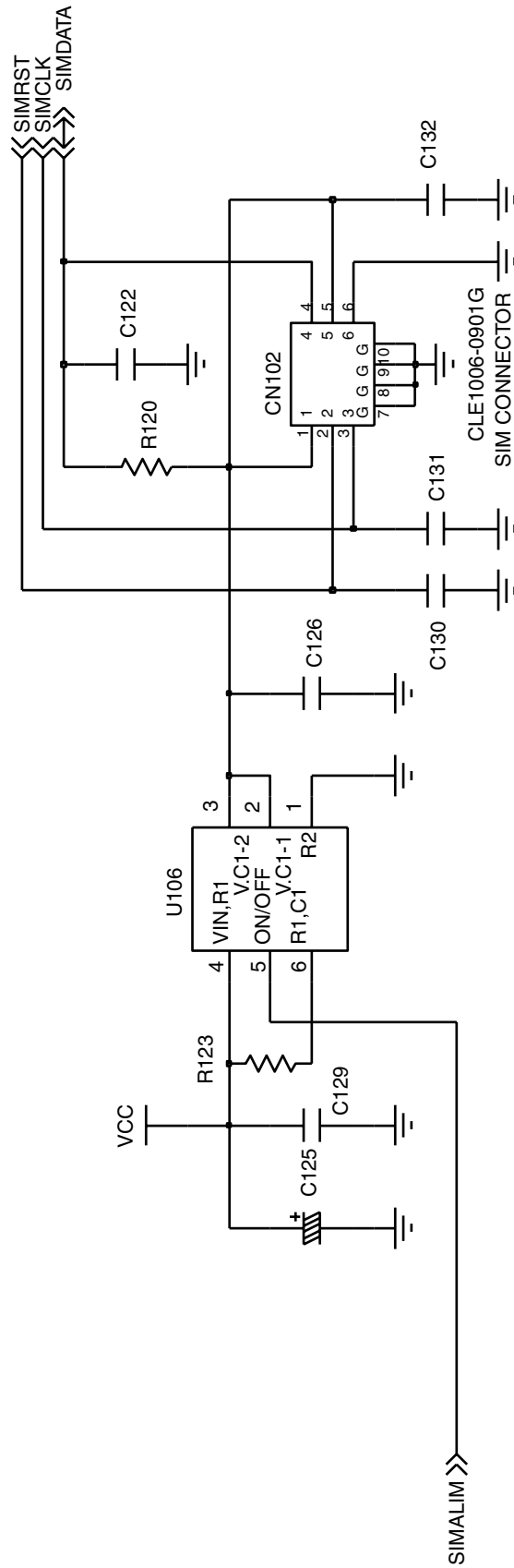




## 5-4 Sim Part



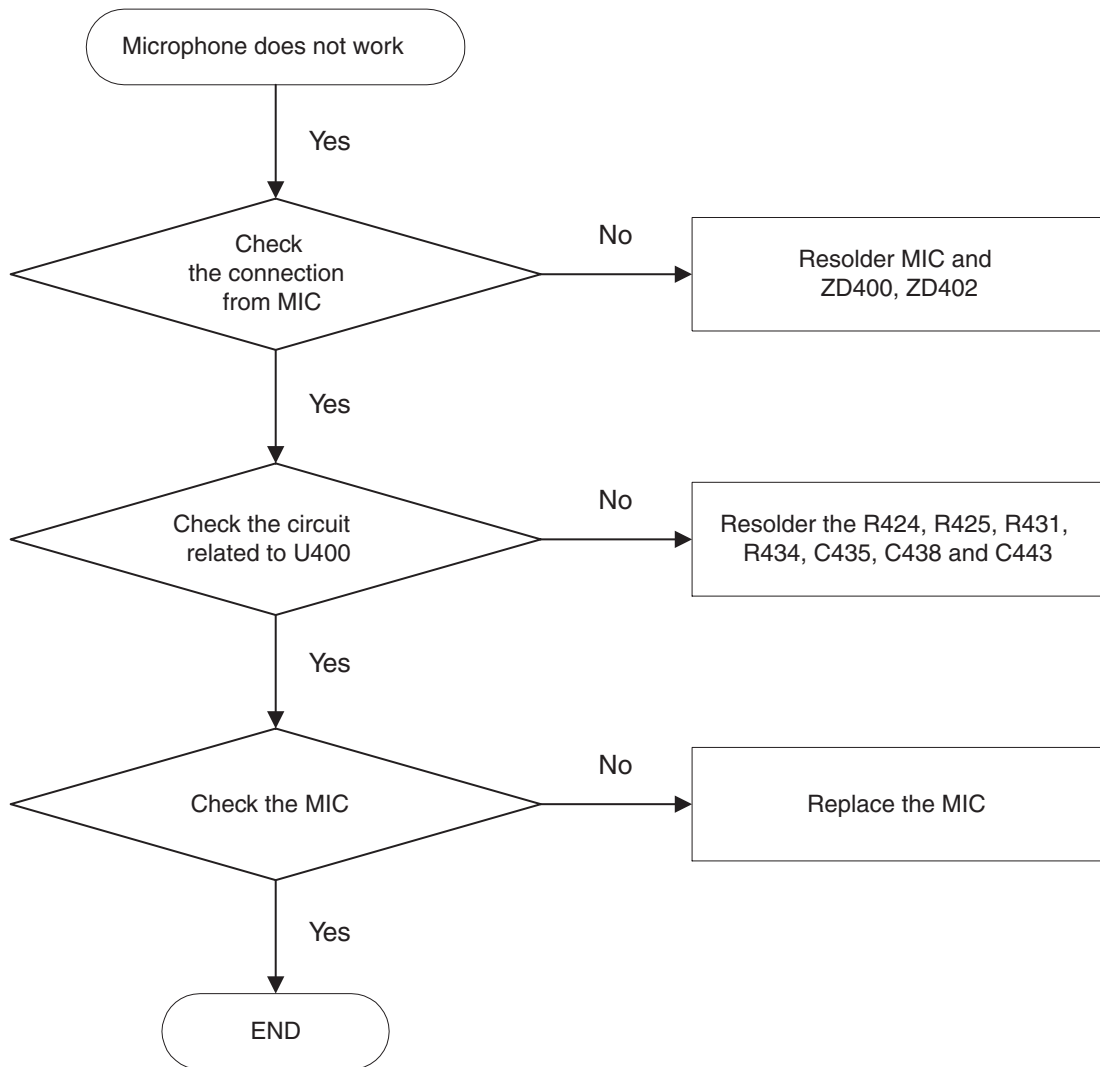


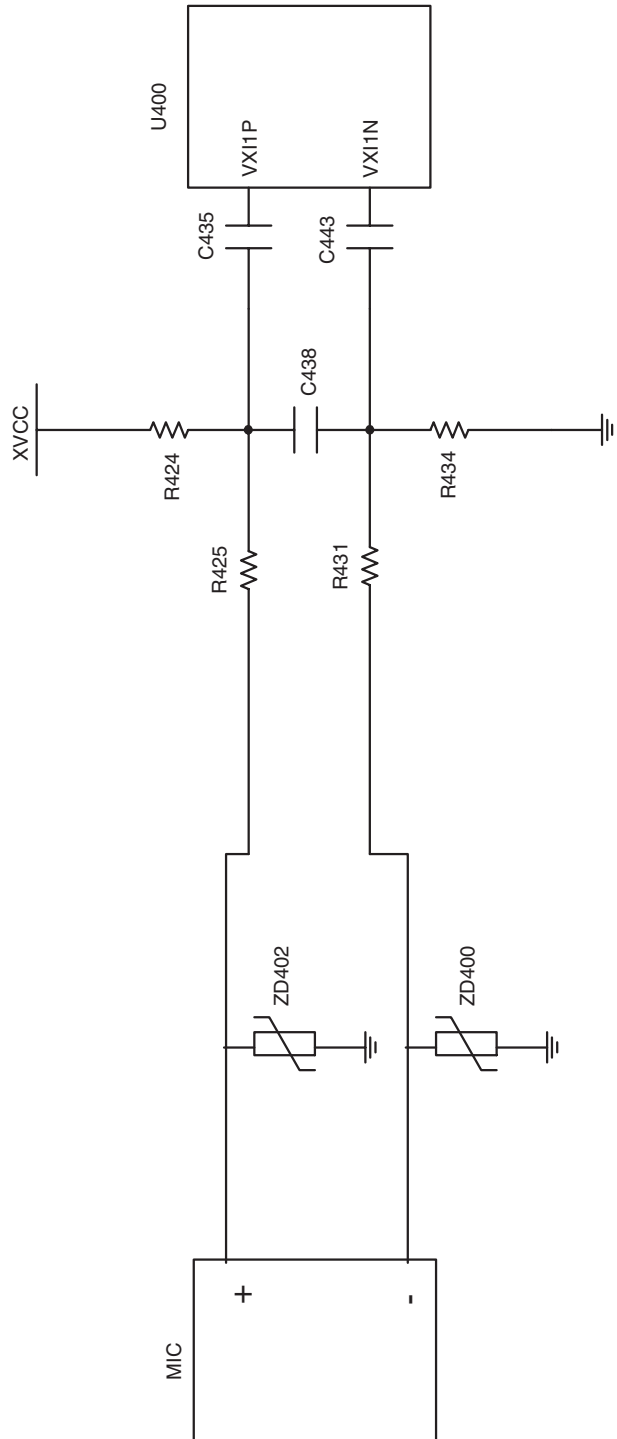


---

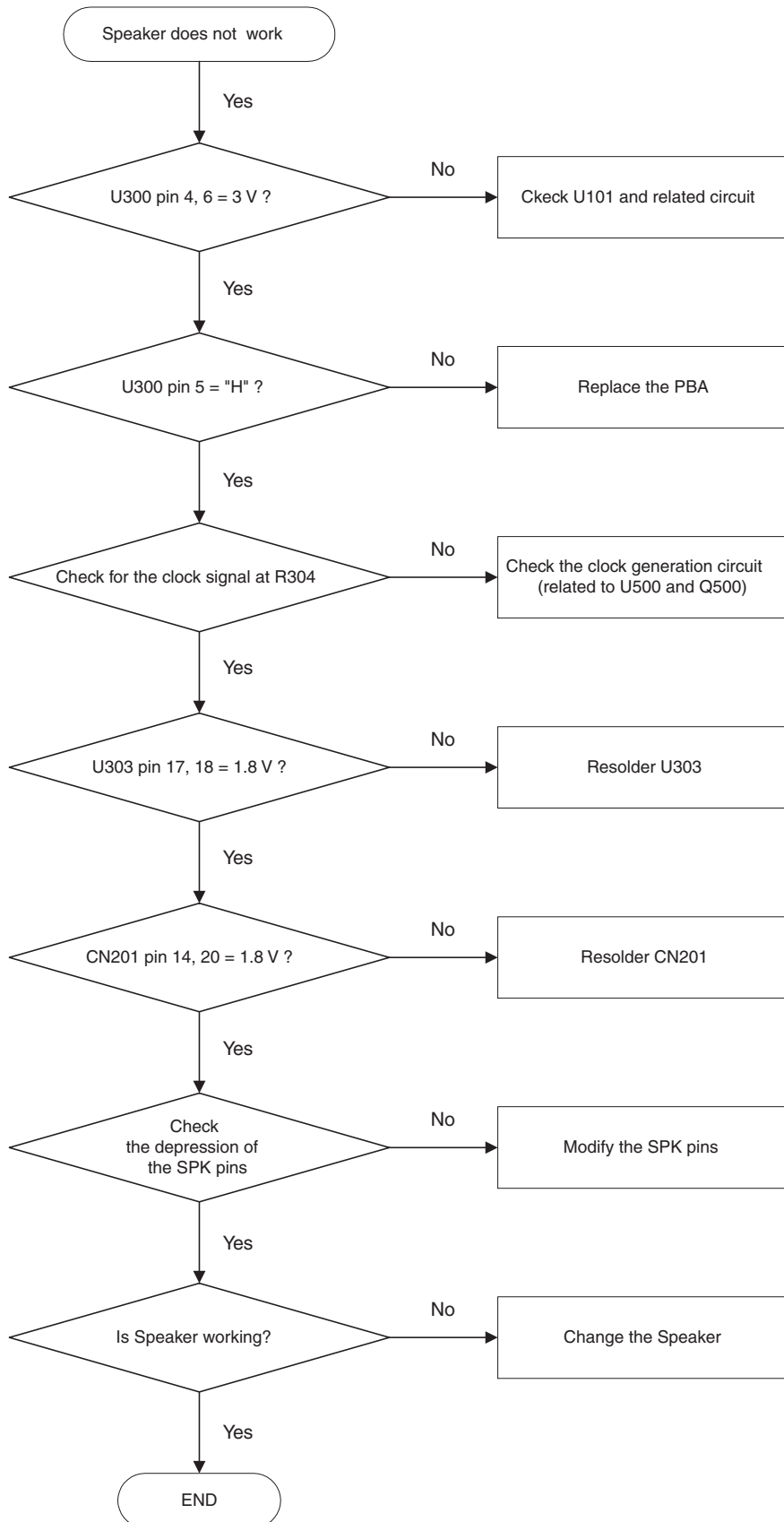
## 5-5 Microphone Part

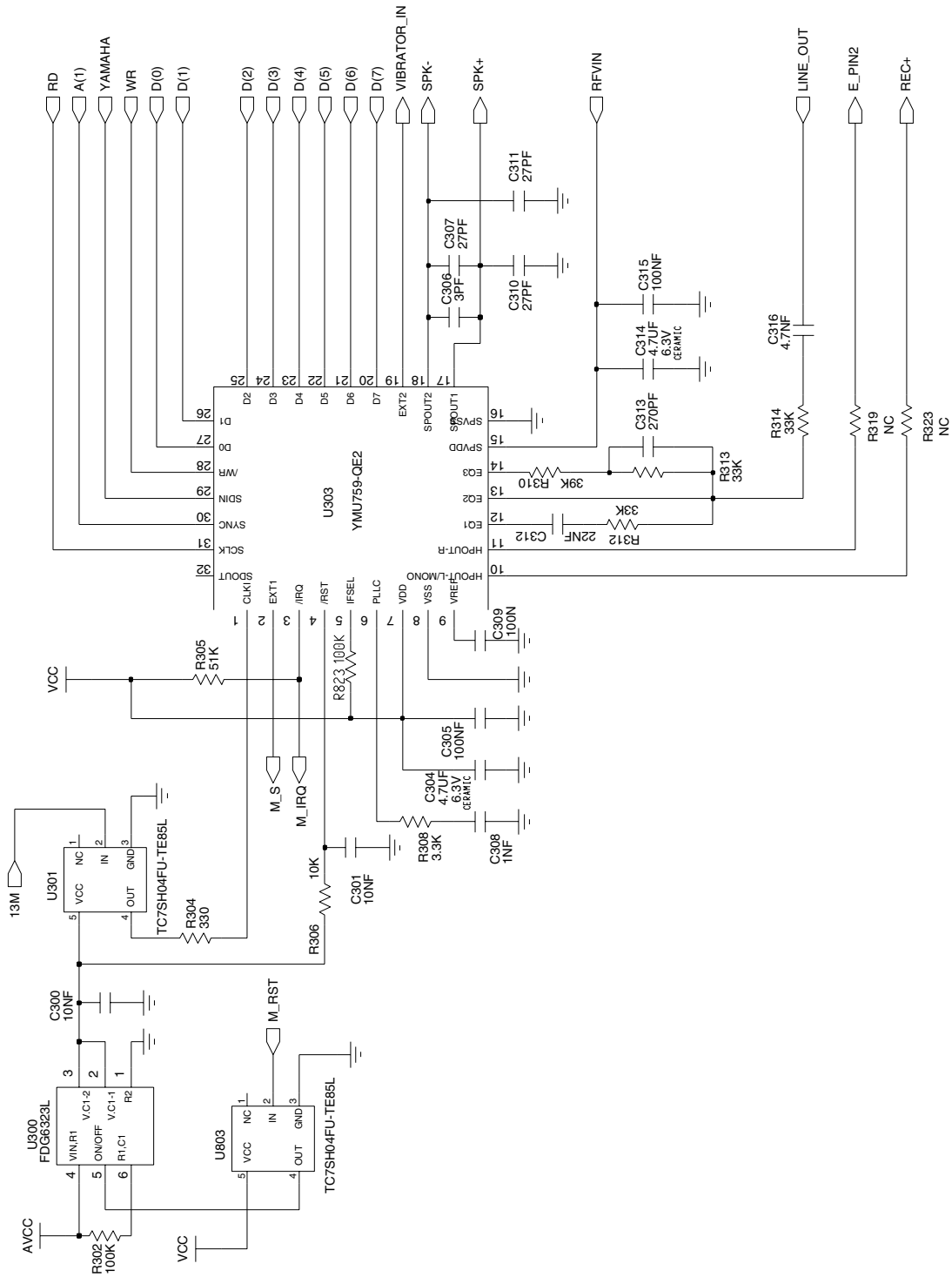
---



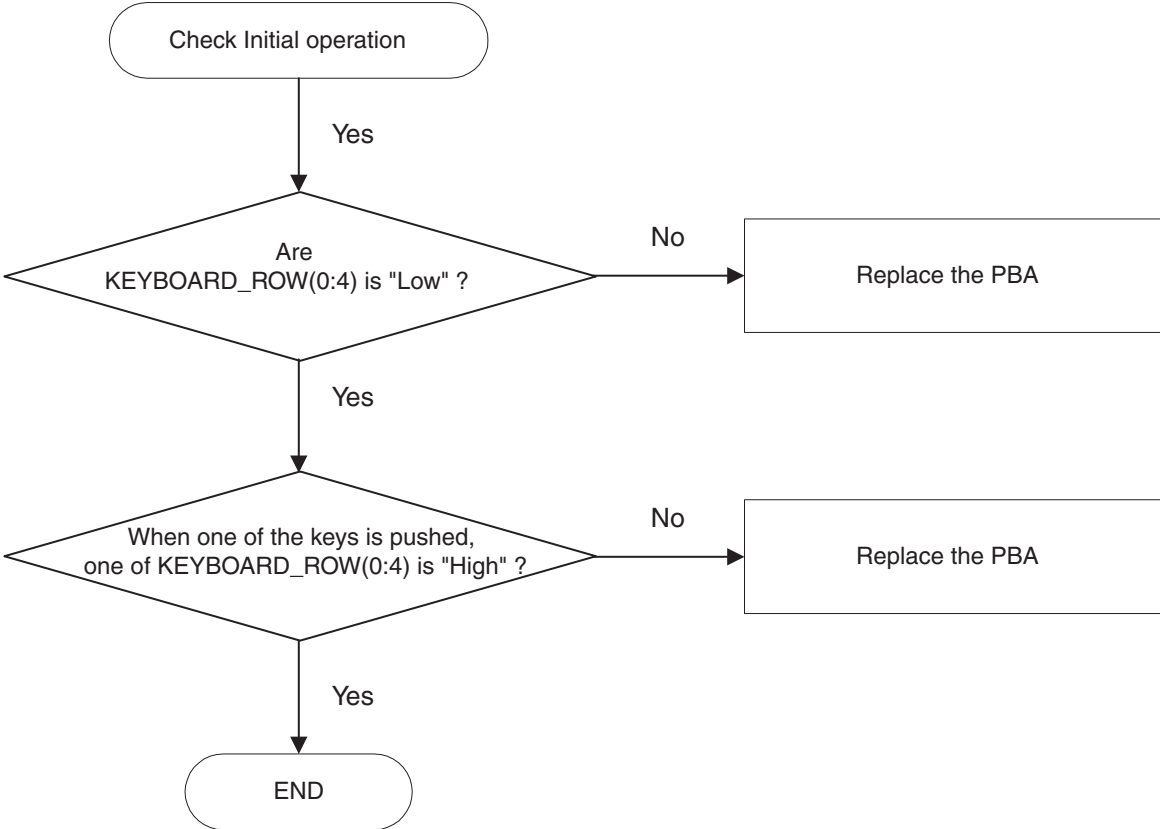


## 5-6 Speaker Part

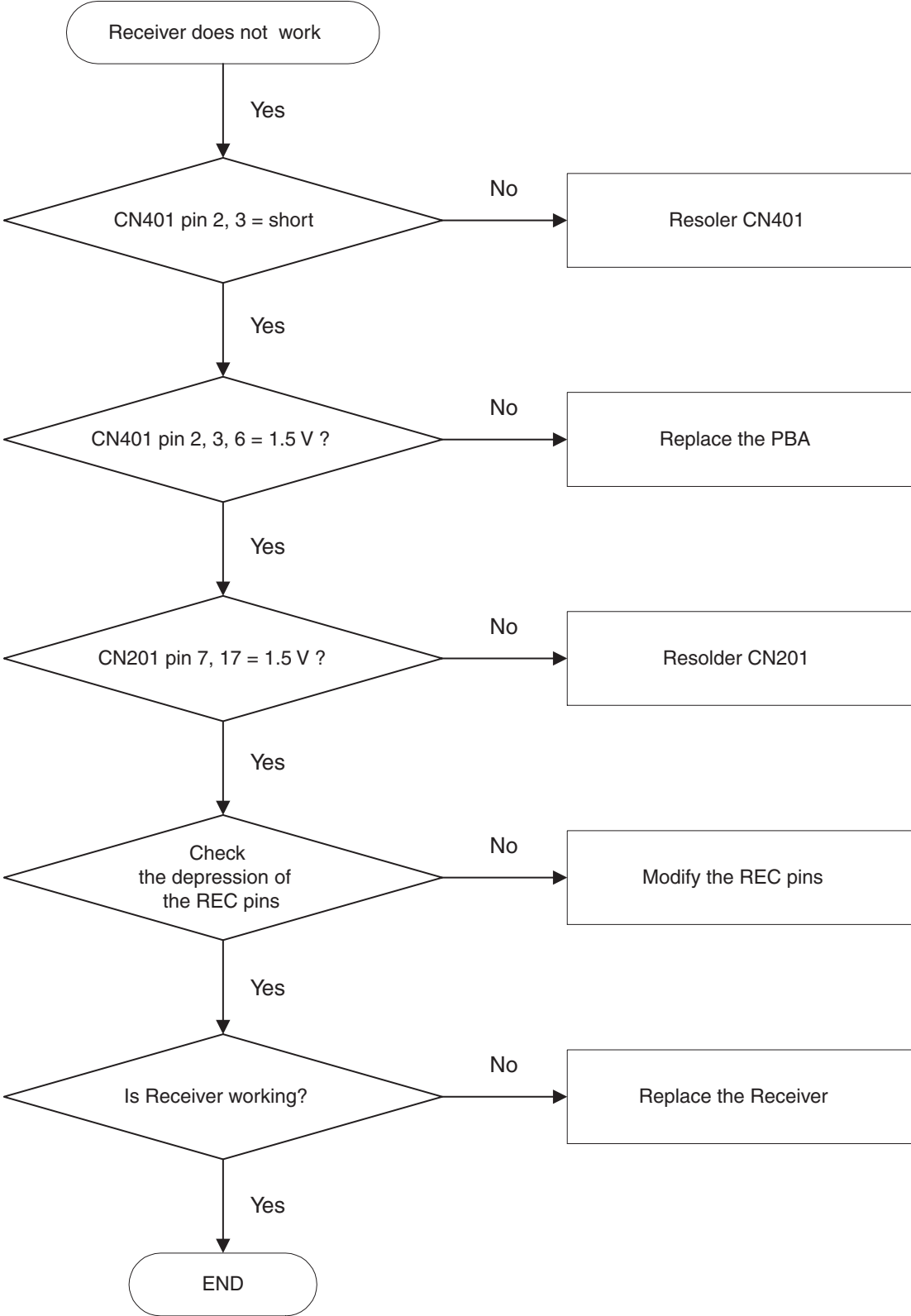


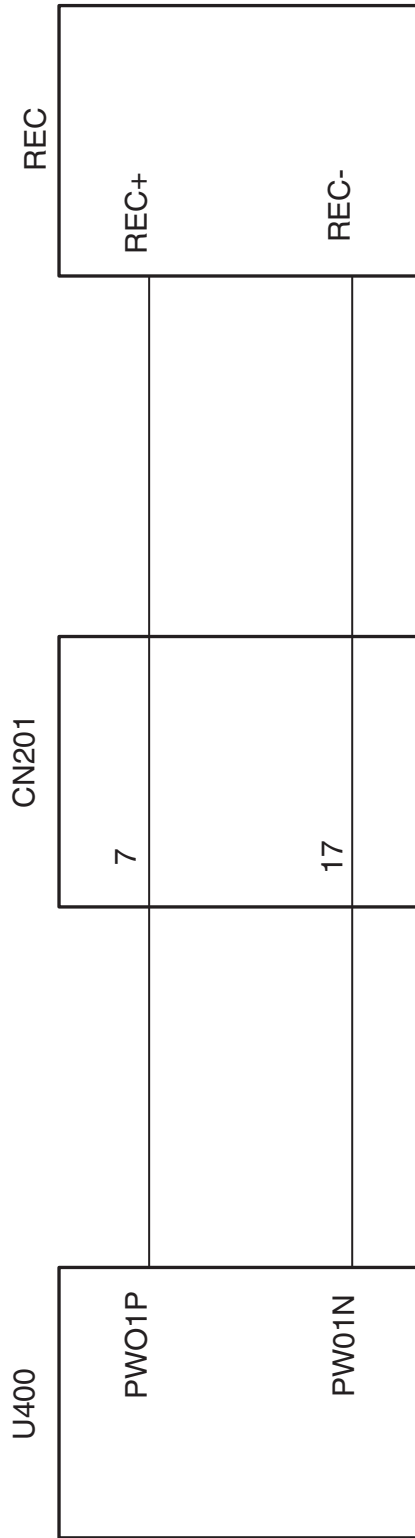


# 5-7 Key Data Input



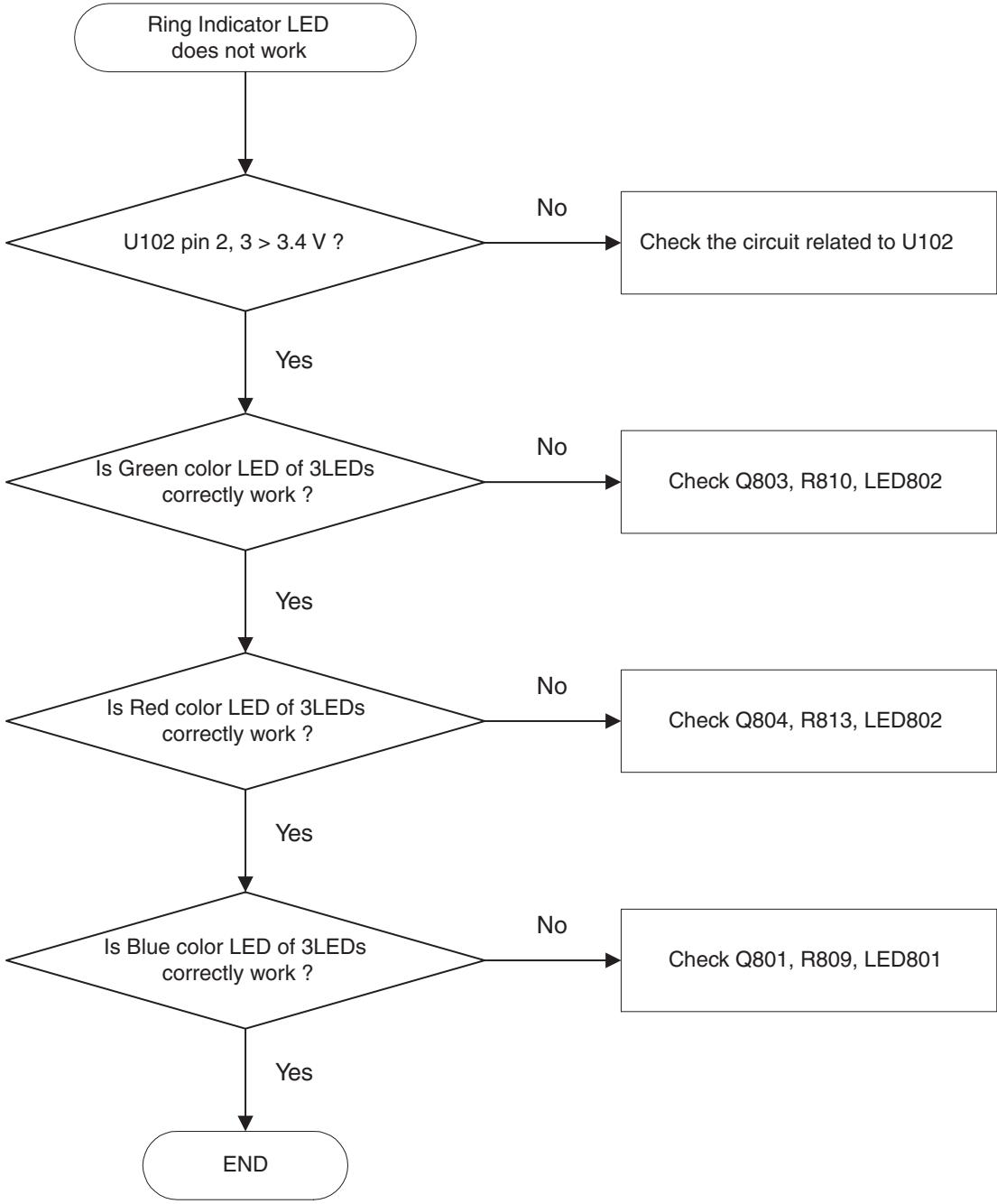
# 5-8 Receiver Part

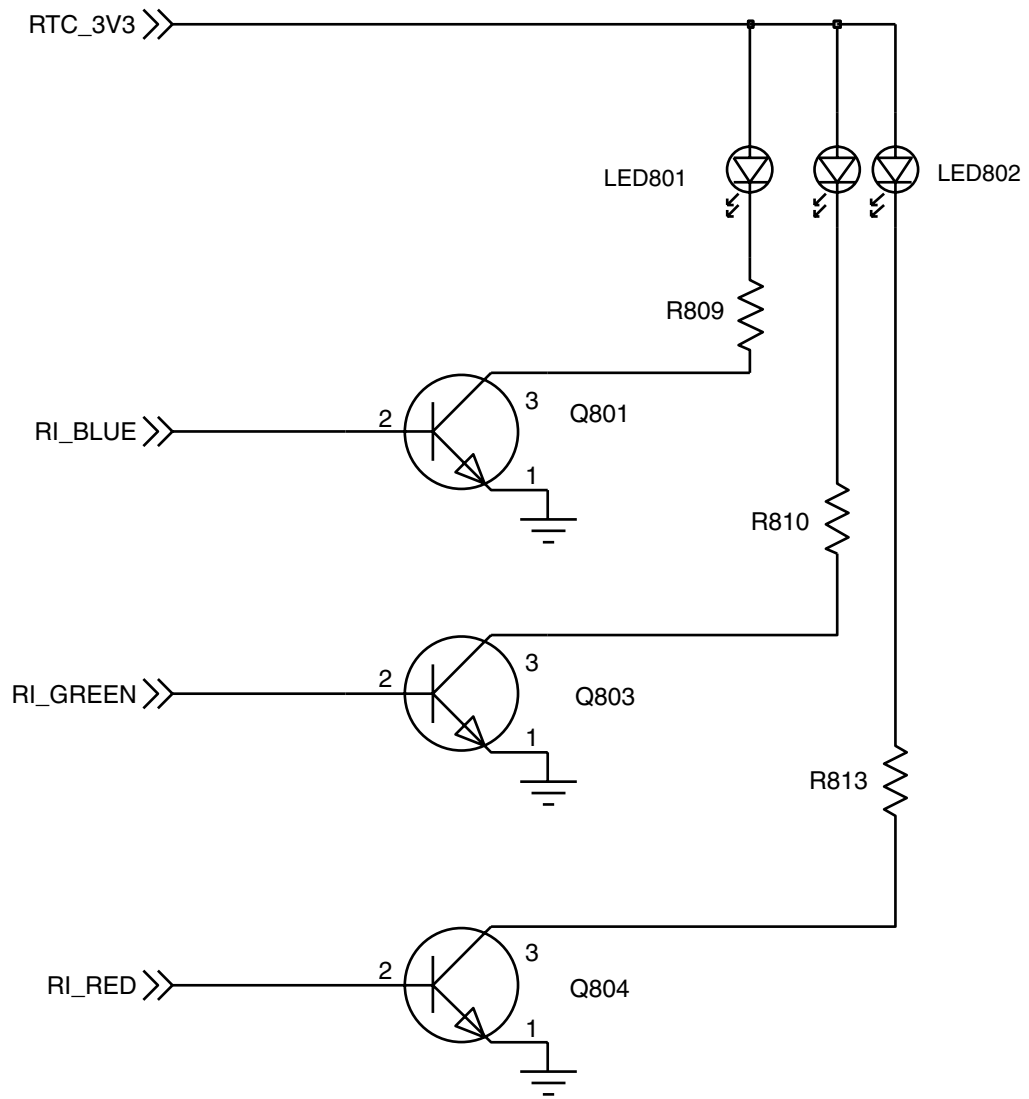




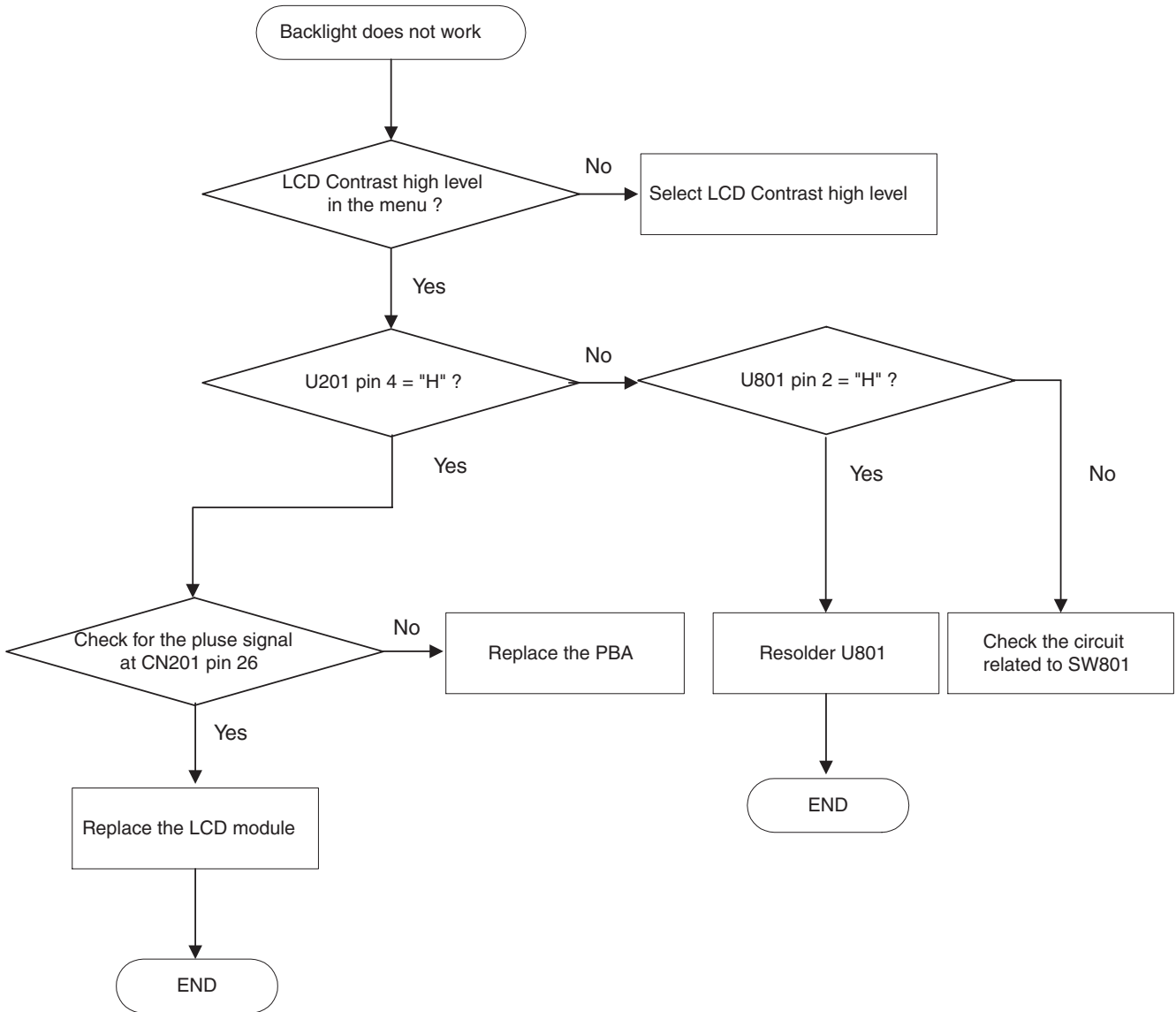


# 5-9 Ring Indicator

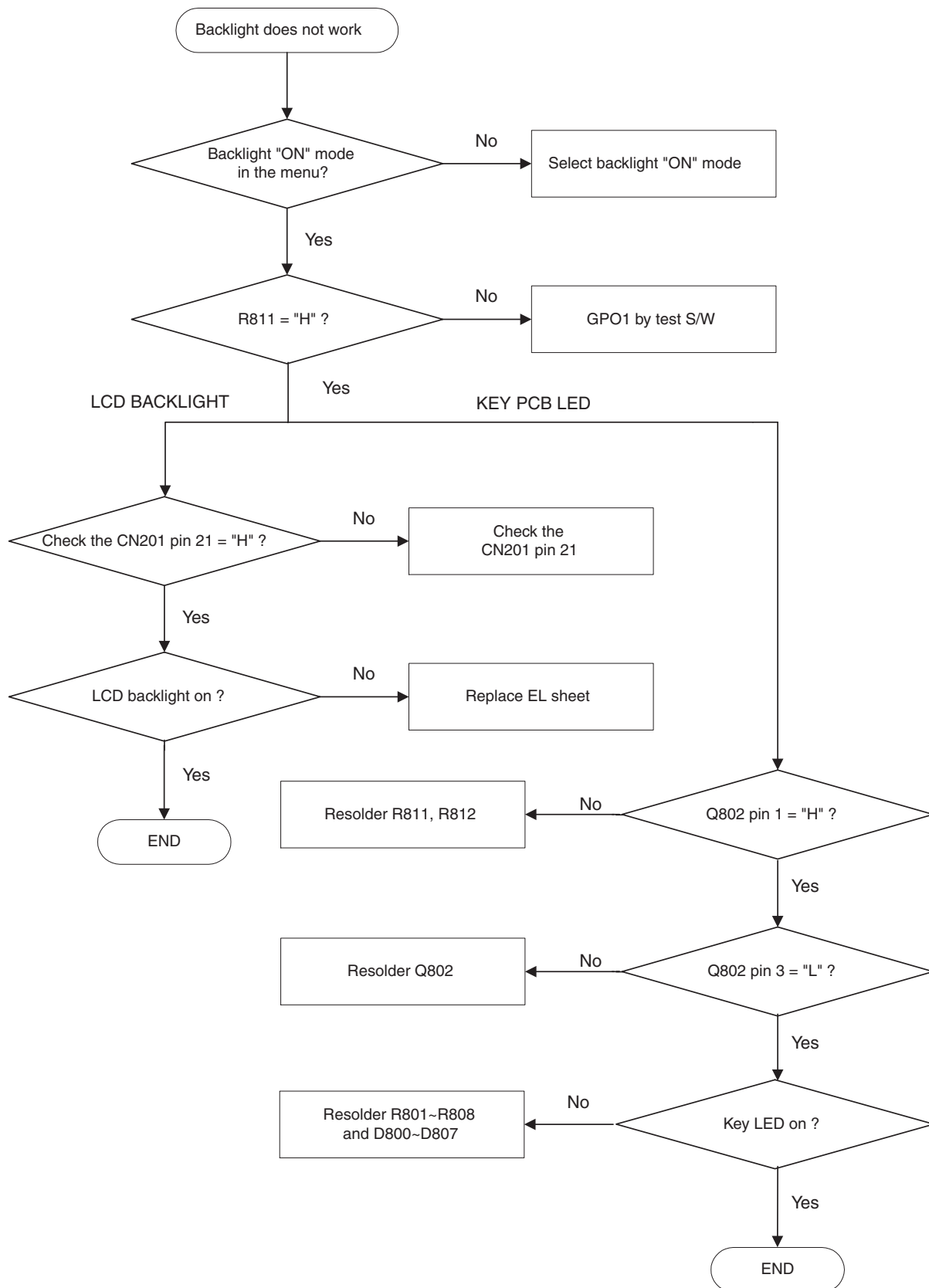




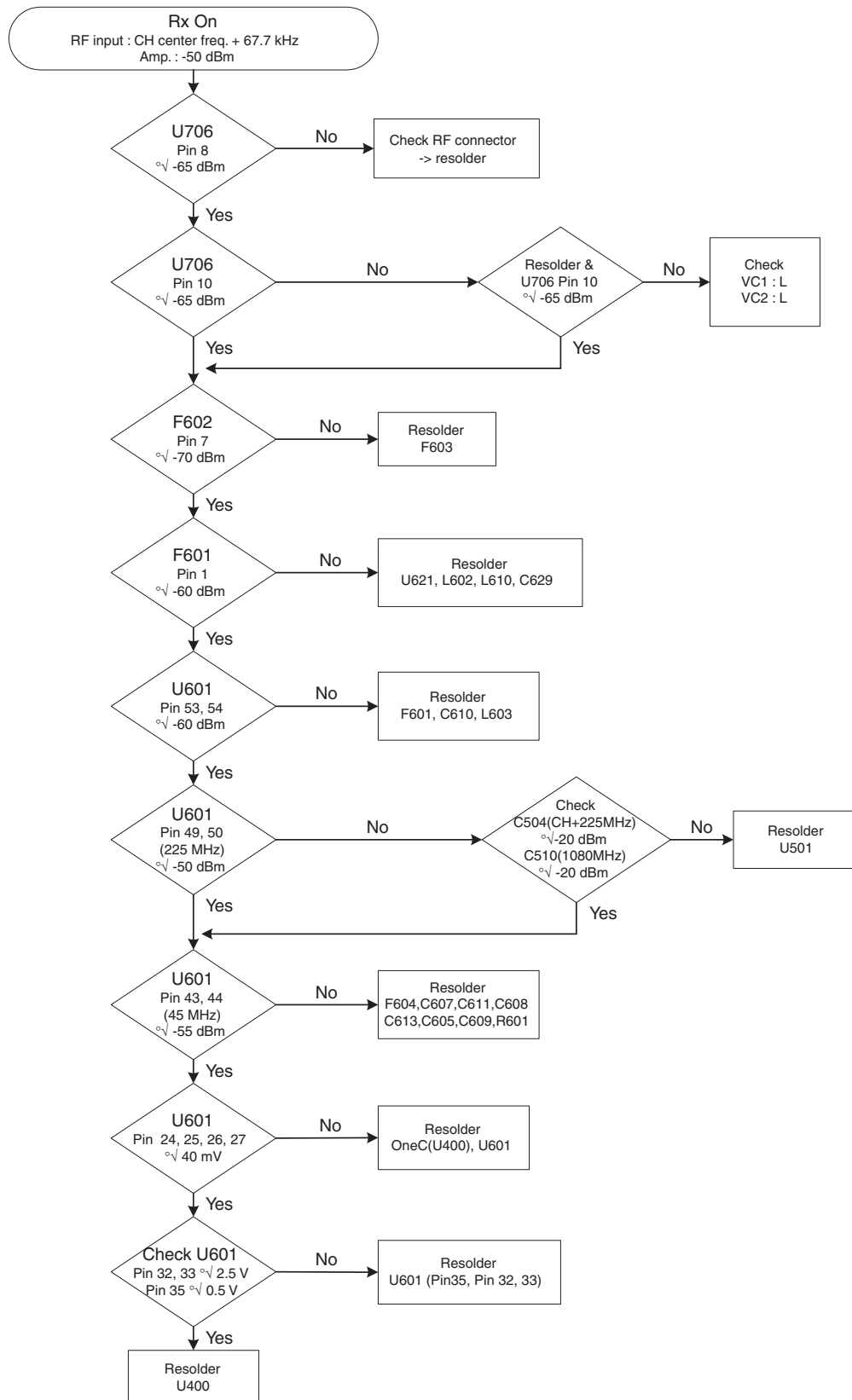
## 5-10 Back Light (for Color Main LCD)



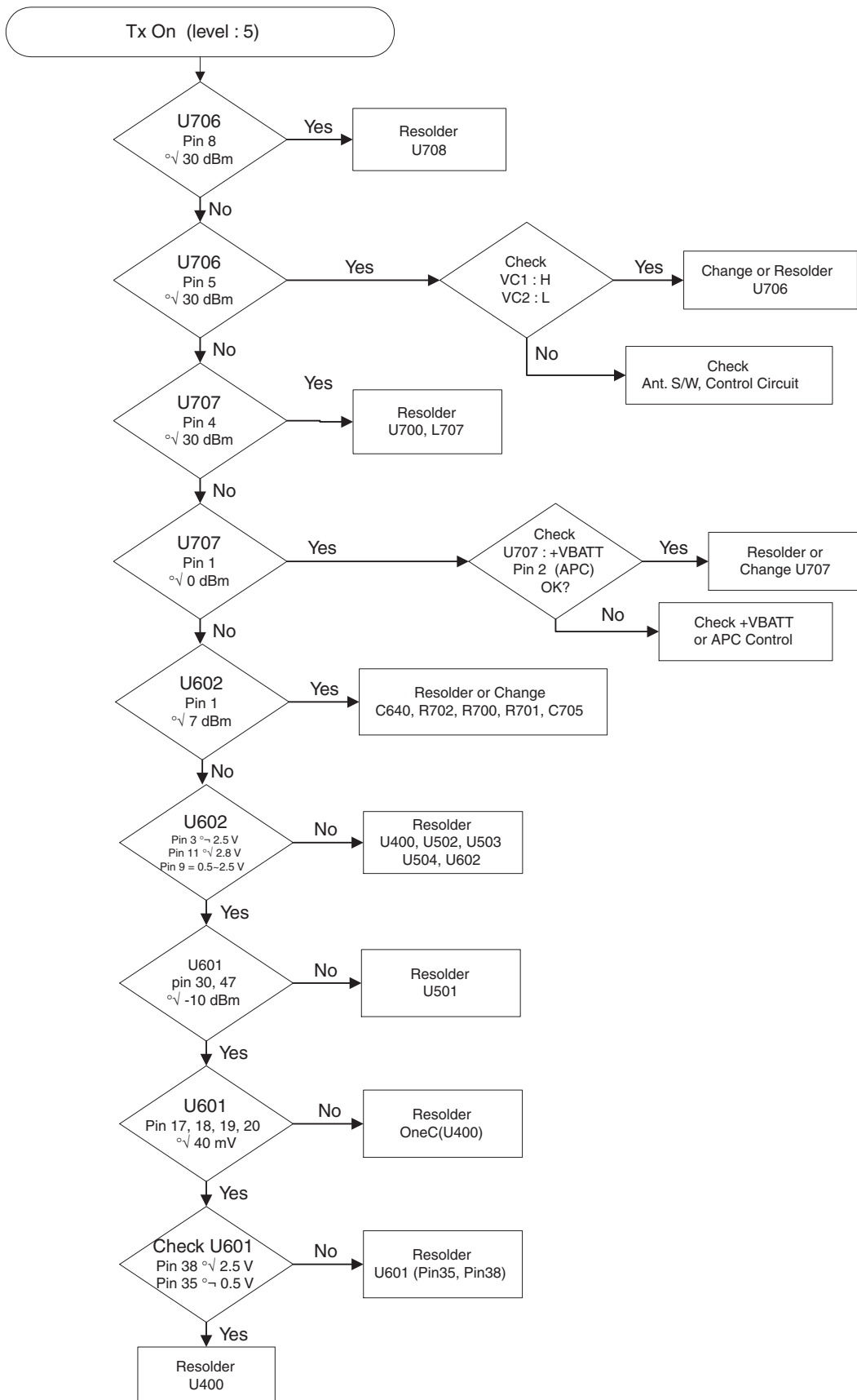
## 5-11 Back Light (for sub LCD & Key)



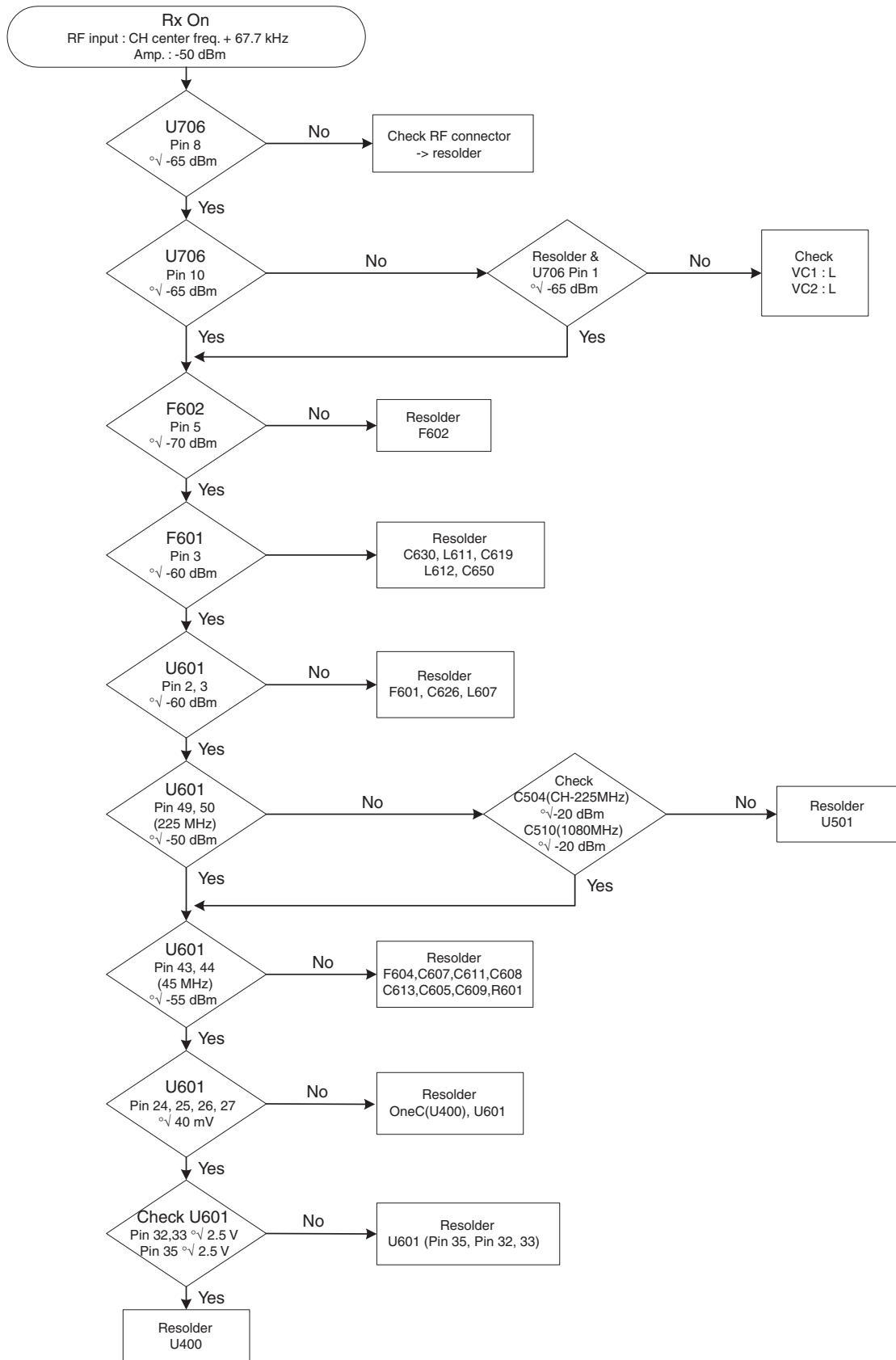
## 5-12 GSM Receiver



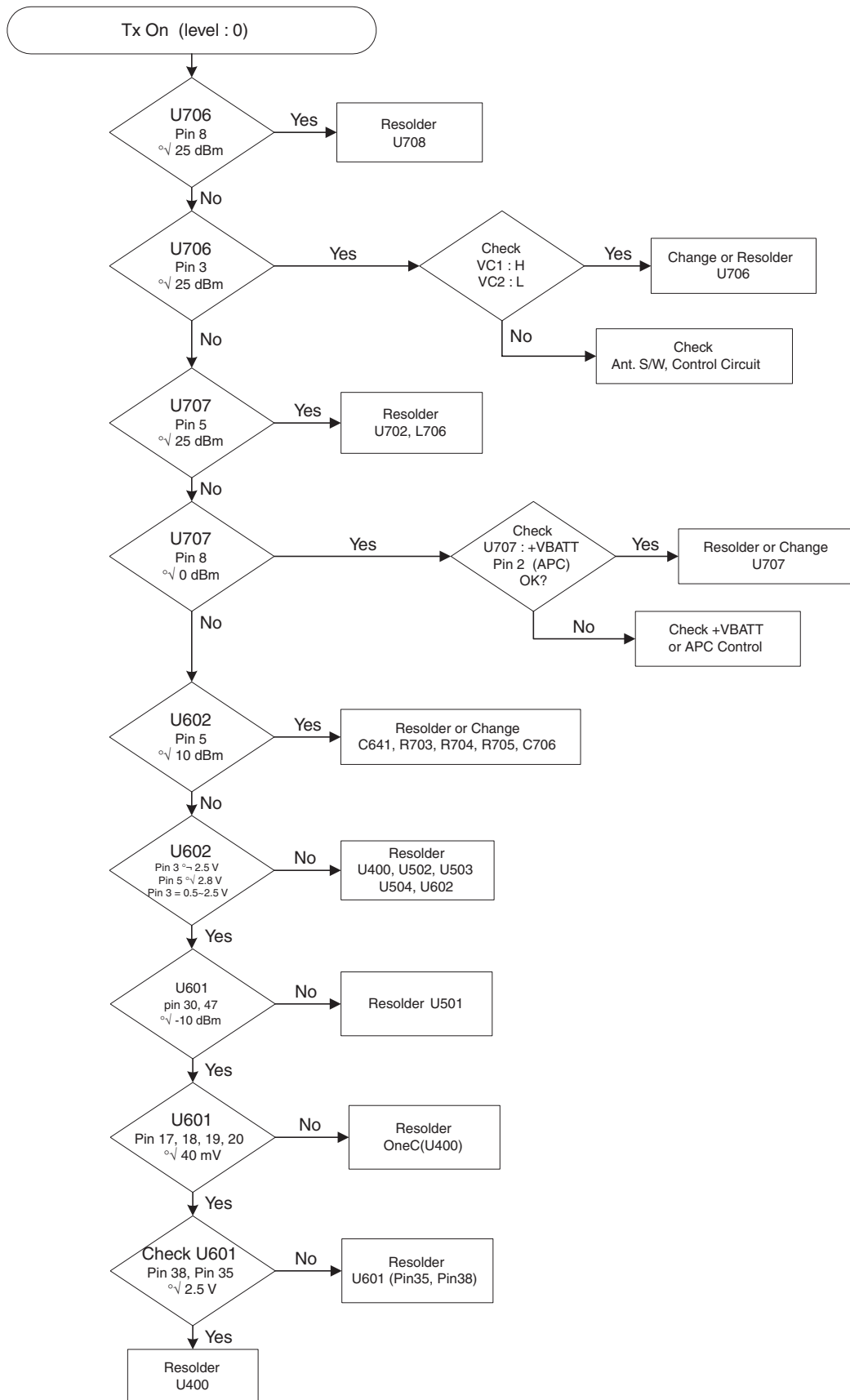
## 5-13 GSM Transmit



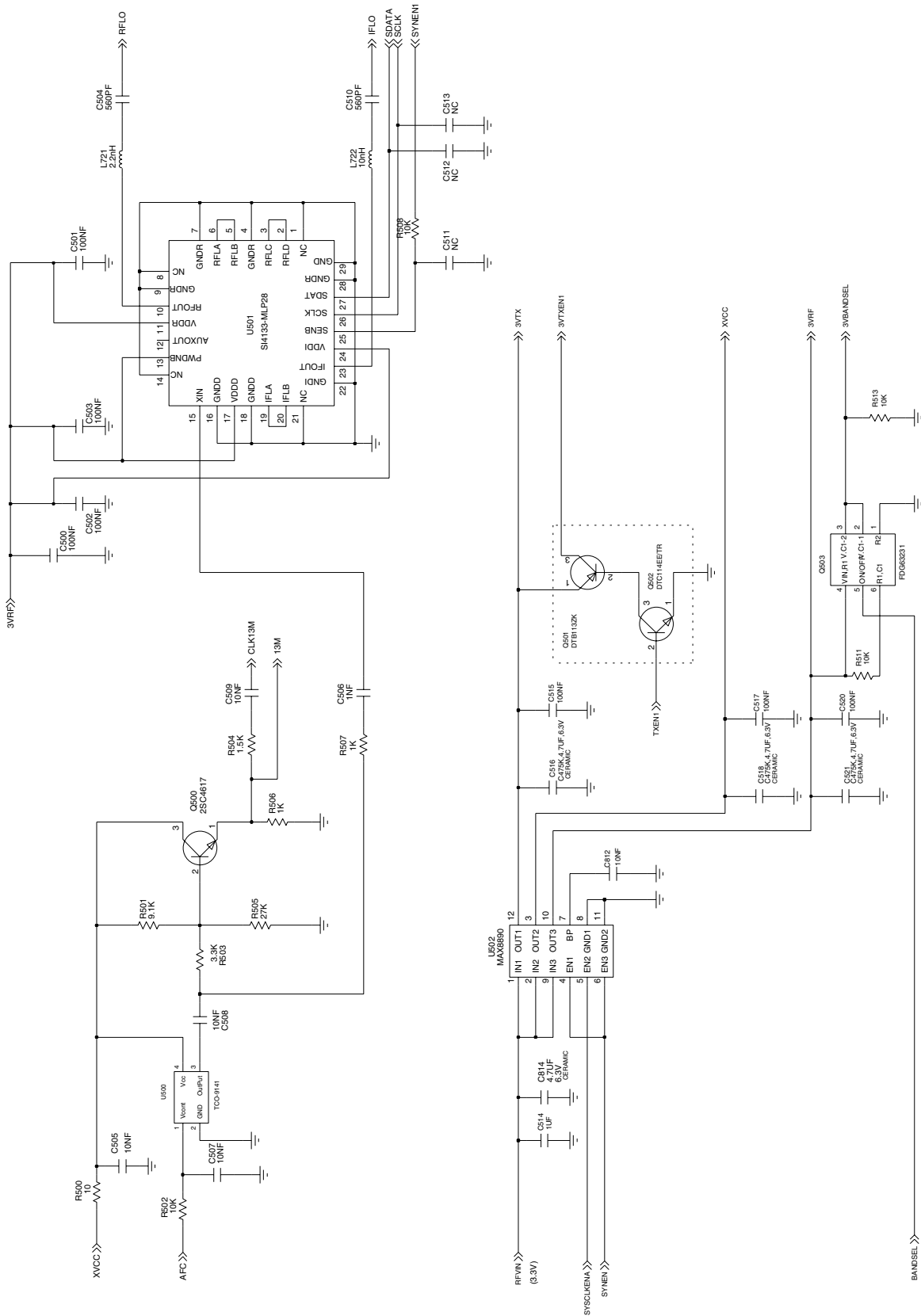
## 5-14 DCS Receiver

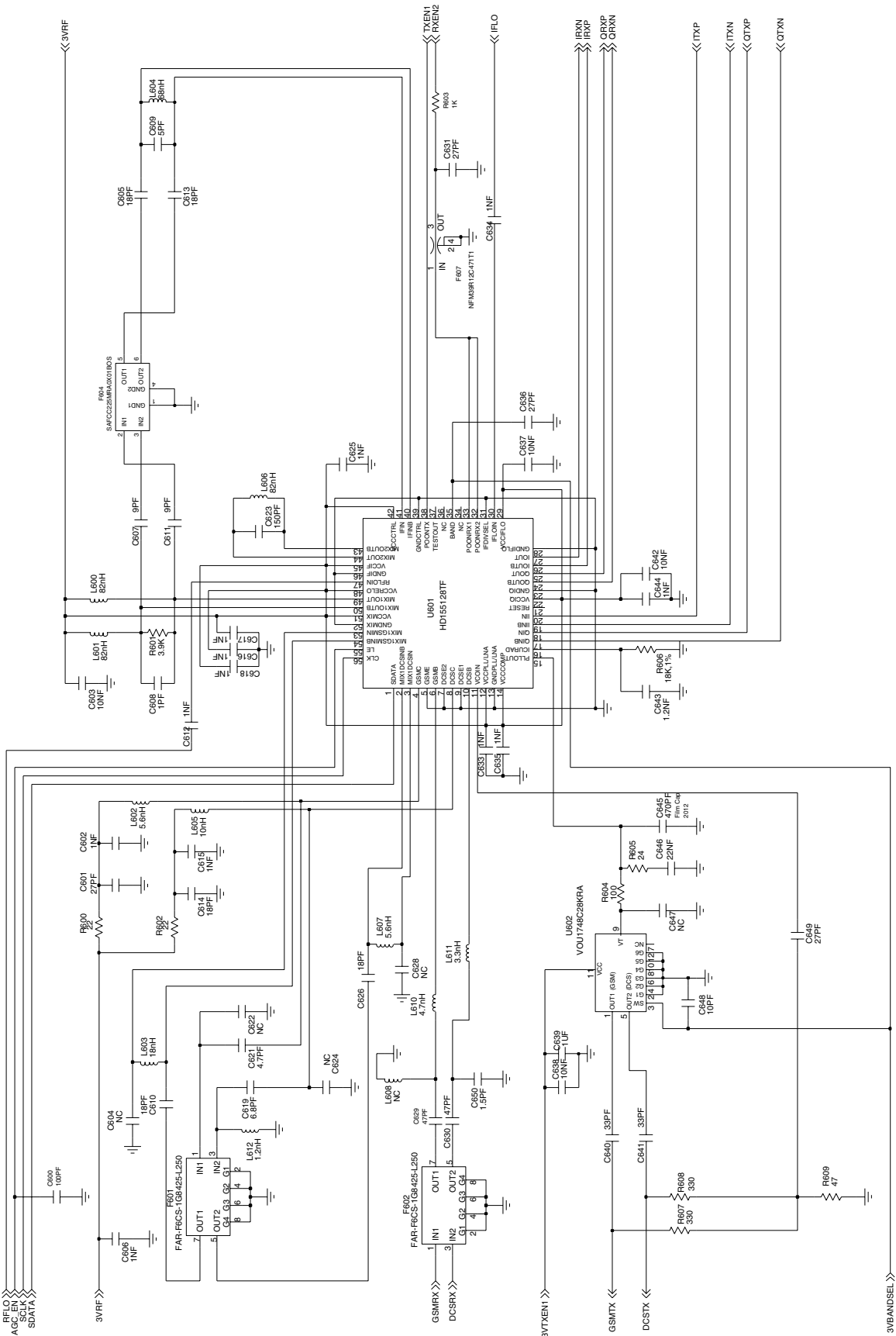


# 5-15 DCS Transmit

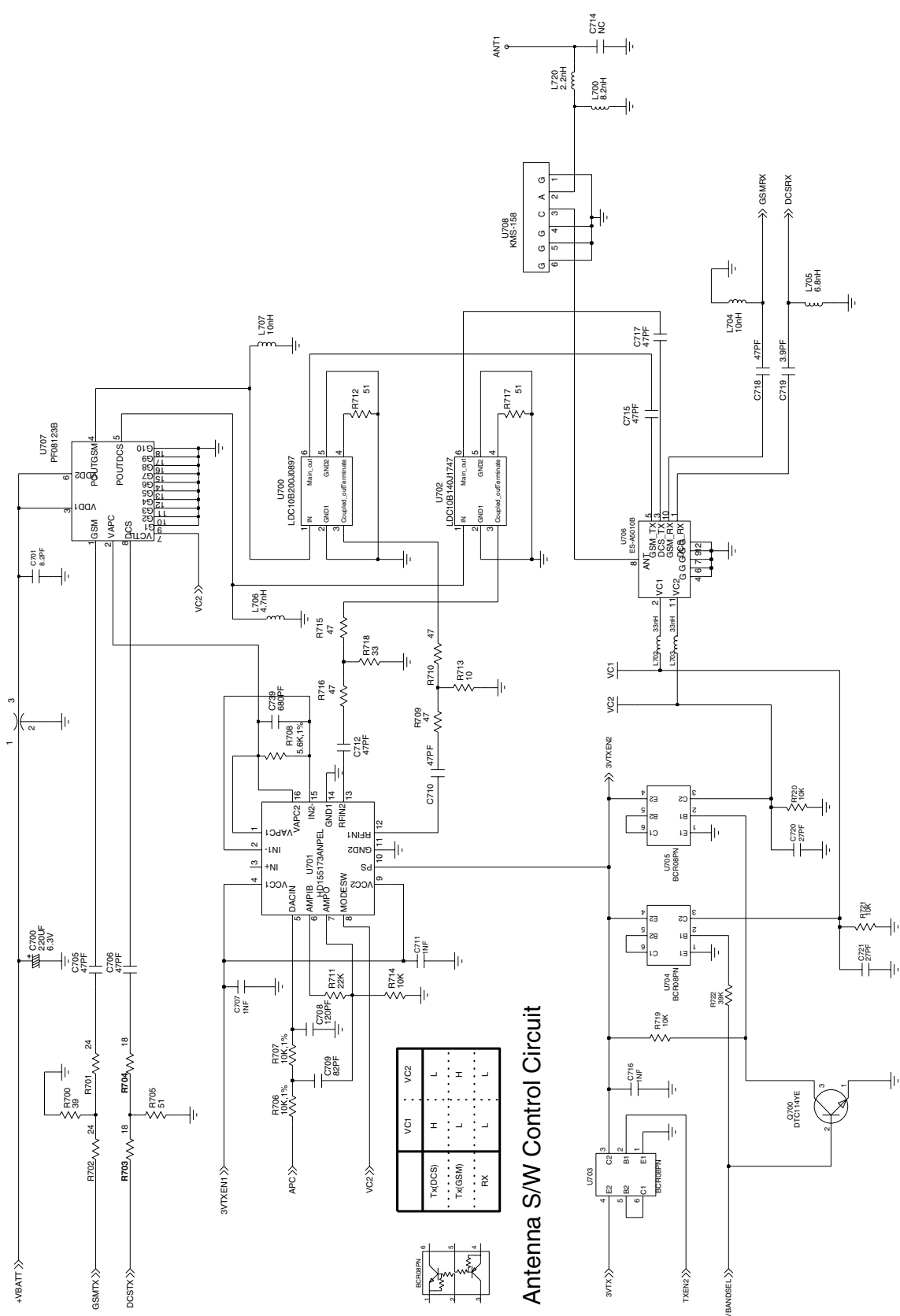








FR05  
NFMA0010721



Antenna S/W Control Circuit

	VC1	VC2
TX(DCS)	H	L
TX(GSM)	L	H
...	...	...
RX	L	L