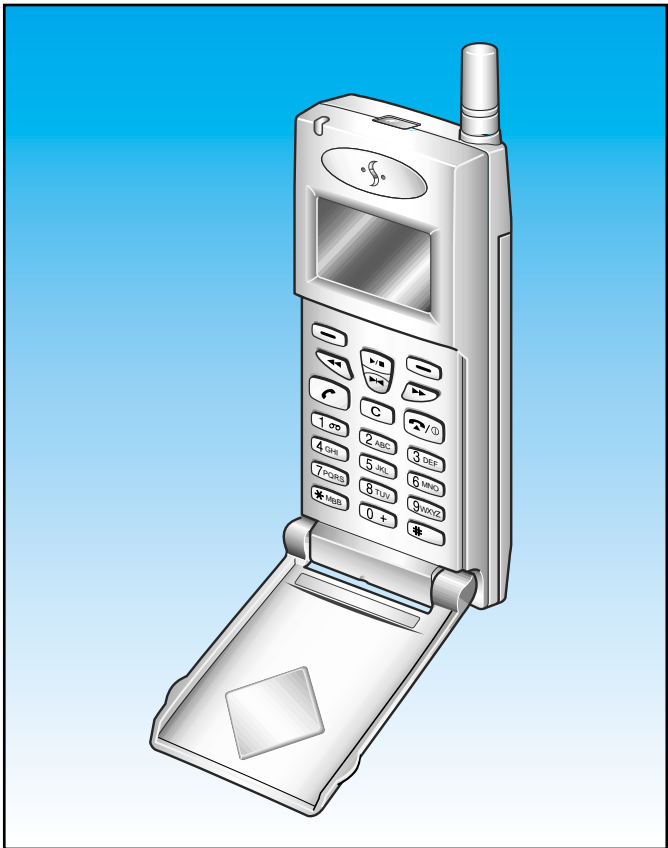




DUAL BAND Mobile Cellular Phone SGH-M100

SERVICE *Manual*

Dual Band Mobile Cellular Phone

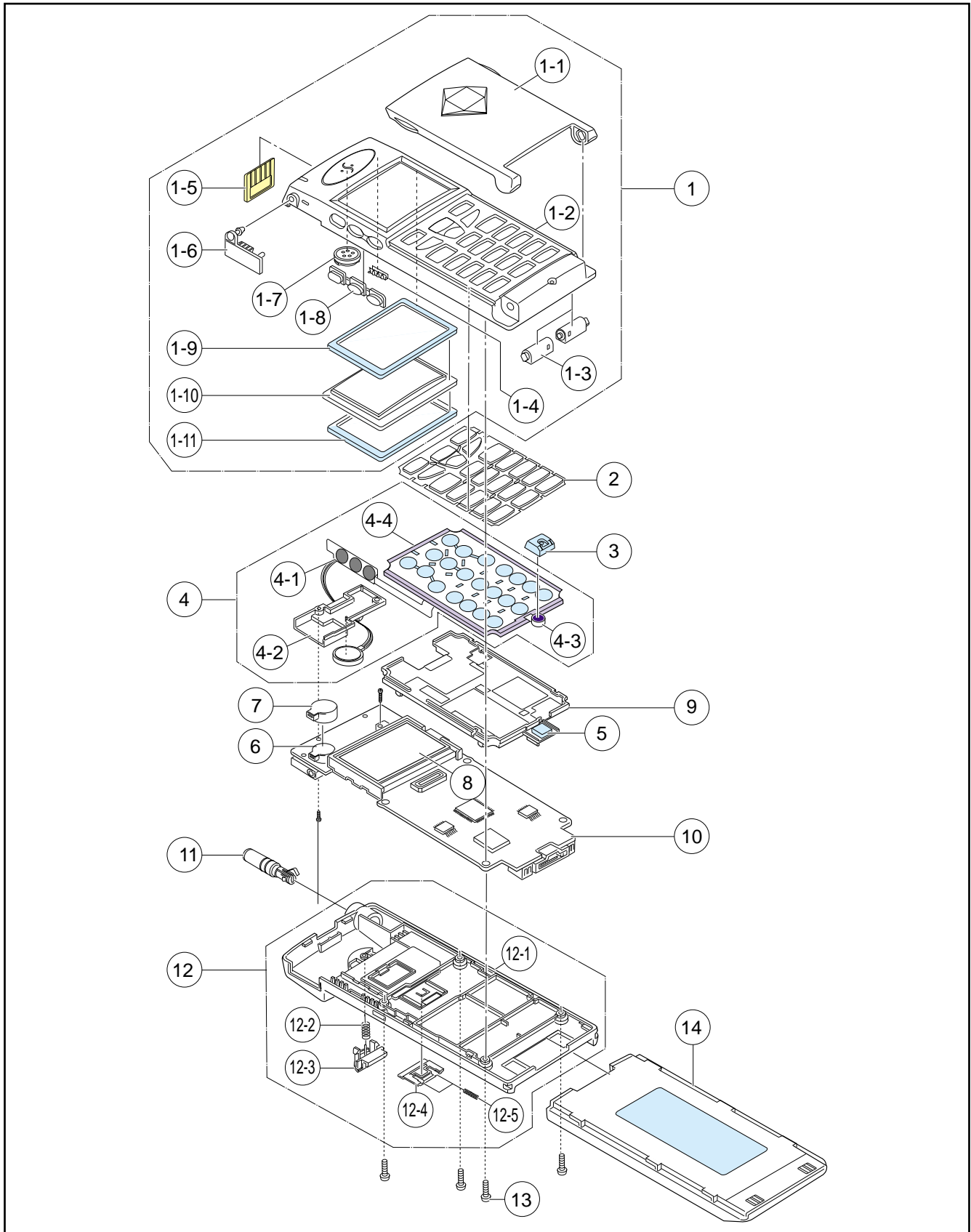


CONTENTS

- 1. Electrical Parts List
- 2. Exploded Views and Parts List
- 3. Block Diagram
- 4. PCB Views
- 5. Schematic Diagrams

2. Exploded View and its Parts List

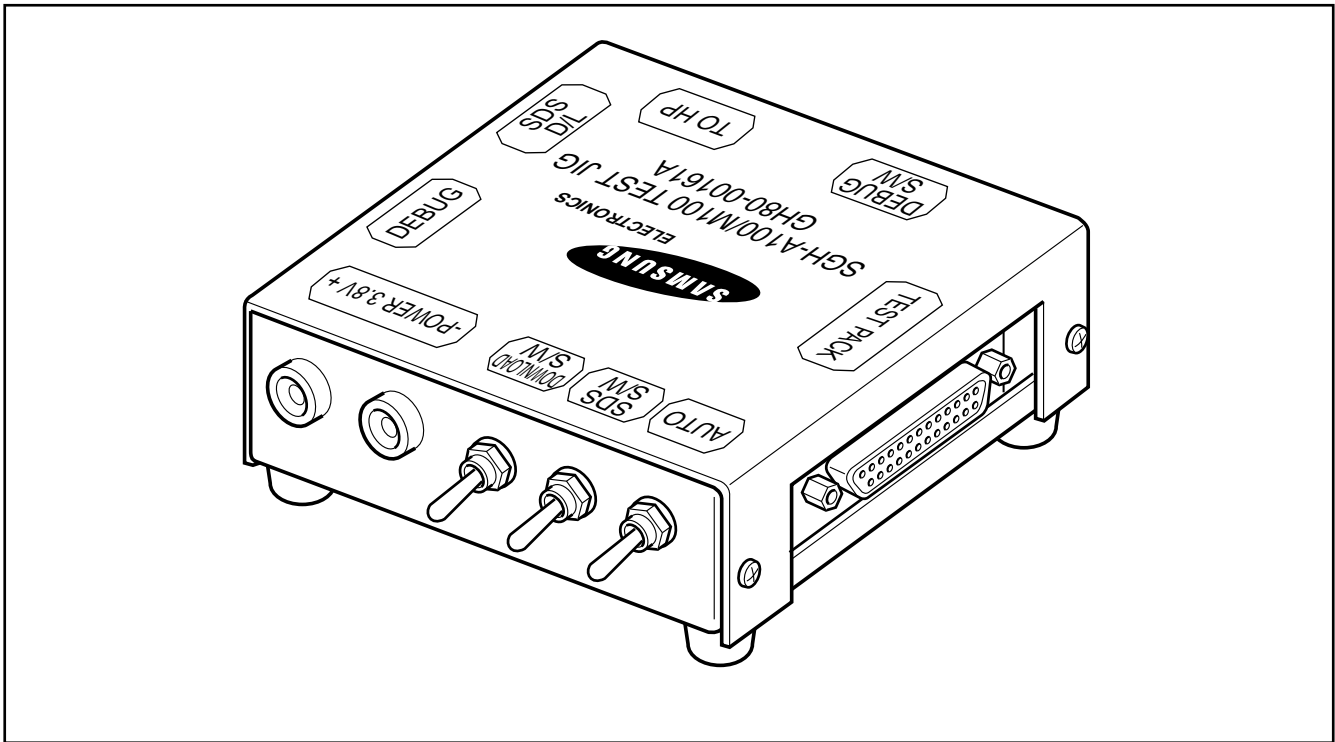
2-1 SGH-M100 Cellular phone Exploded View



2-2 SGH-M100 Cellular phone Parts List

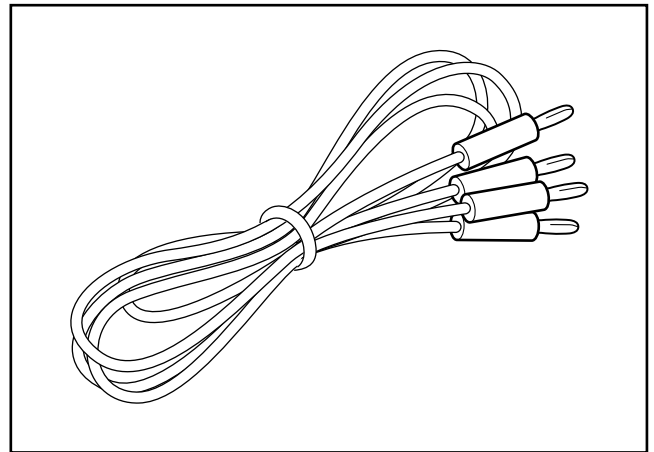
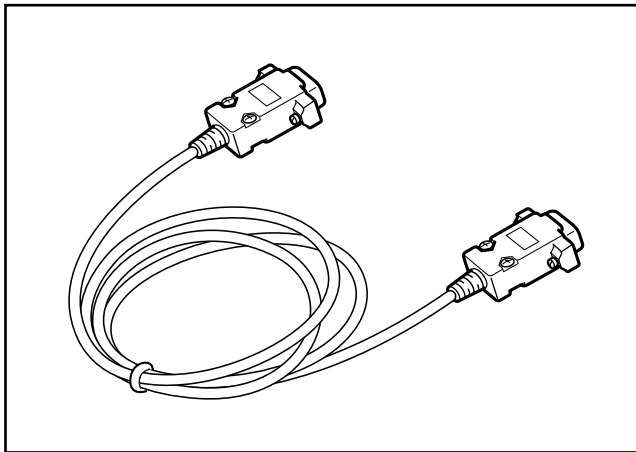
NO	DESCRIPTION	SEC.CODE	REMARK
1	MEC-FRONT COVER	GH75-00498C	GOLD
1-1	MEC-FLIP COVER	GH75-00500C	
1-2	PMO-FRONT COVER	GH72-01126C	SNA
1-3	MEC-HINGE ASS'Y	GH75-11115A	SNA
1-4	NPR-SHIELD STRIP	GH7100258A	
1-5	PMO-IRDA WINDOW	GH72-01130A	
1-6	PMO-EARJACK HOLDER	GH72-01134A	
1-7	SPEAKER	3001-001148	
1-8	MEC-VOLUME KEY	GH75-00746A	
1-9	MPR-LCD SILICON	GH74-00548A	SNA
1-10	PMO-LCD WINDOW	GH72-01129A	
1-11	MPR-LCD SPONGE	GH74-00493A	SNA
2	PMO-KEY PAD	GH72-01144A	
3	PMO-MIC HOLDER	GH73-00494A	
4	KEY PBA ASS'Y	GH82-00031A	
4-1	VOL KEY ASS'Y	GH59-00092A	
4-2	REAR SHIELD CAN	GH72-01132A	
4-3	MIC	3003-001047	
4-4	METAL DOME	GH59-00101A	
5	MPR-MIC SPONGE	GH74-00557A	
6	BUZZER	3002-001095	
7	RMO-BUZZER HOLDER	GH7300337A	
8	DISPLAY LCD	GH07-00035A	
9	PMO-KEY SHIELD CAN	GH72-01133A	
10	MAIN PBA	GH92-00785A	
11	ANTENNA	GH42-00062B	
12	MEC-REAR COVER	GH75-00499A	GOLD
12-1	PMO-REARCOVER	GH72-011127A	SNA
12-2	IPR-LOCKER SPRING	GH70-10516A	SNA
12-3	PMO-BATTERAY LOCKER	GH72-01143A	SNA
12-4	PMO-SIM LOCKER	GH72-00513D	SNA
12-5	IPR-SIM SPRING	GH70-00006A	SNA
13	SCREW-MACHINE	6001-001345	4PCS
14	BATTERY	GH43-00206A	750 mAh

2-3 Test Jig (GH80-00161A)



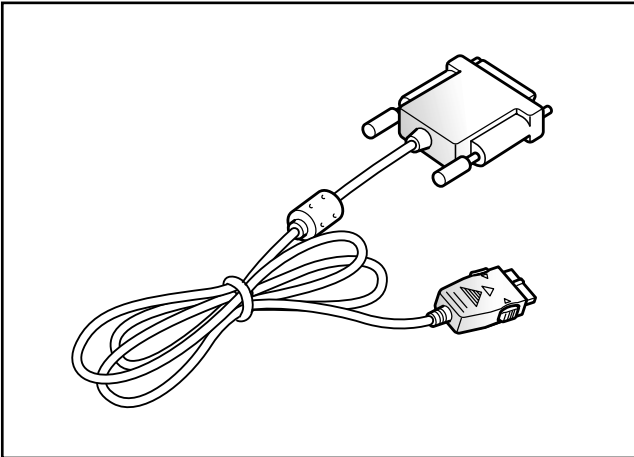
Data Cable

Test Cable



	SWITCH					
MODE	AUTO	SDS S/W	DOWNLOAD S/W	DEBUG S/W	SDS D/L	DEBUG
D/L	HIGH	LOW	HIGH	LOW	CONNECT	N.C
CAL	HIGH	LOW	LOW	HIGH	CONNECT	N.C

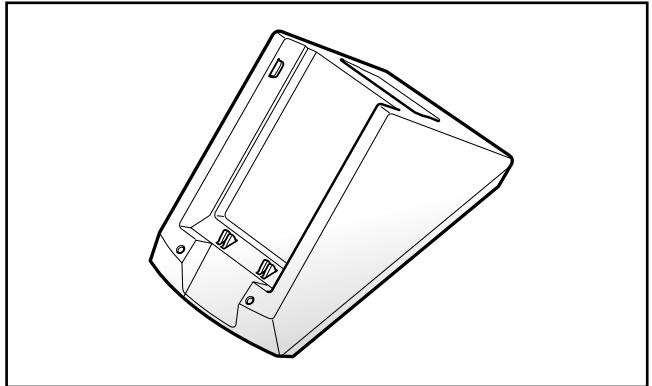
2-4 MP3 Data Cable (GH59-00090A)



2-5 Desk Top Charger

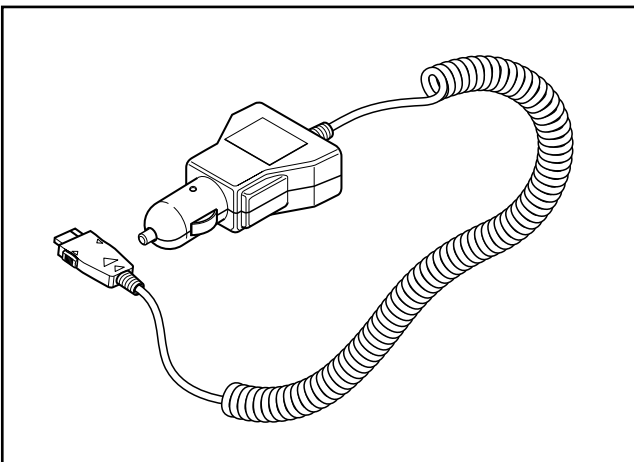
Europe (GH44-00121A)

China (GH44-00121C)

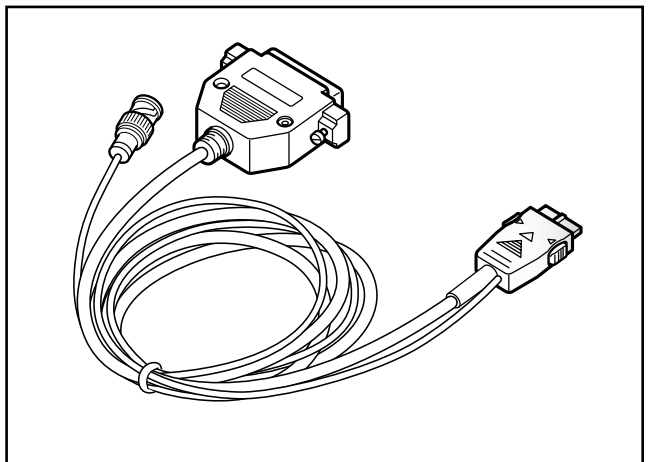


2-6 Cigarette Lighter Adaptor

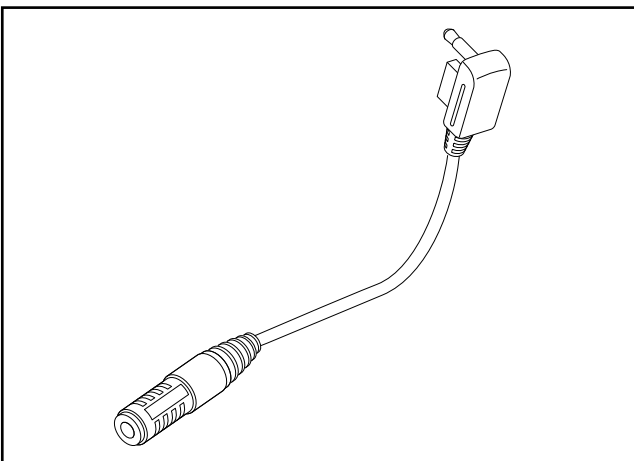
(GH44-30546A)



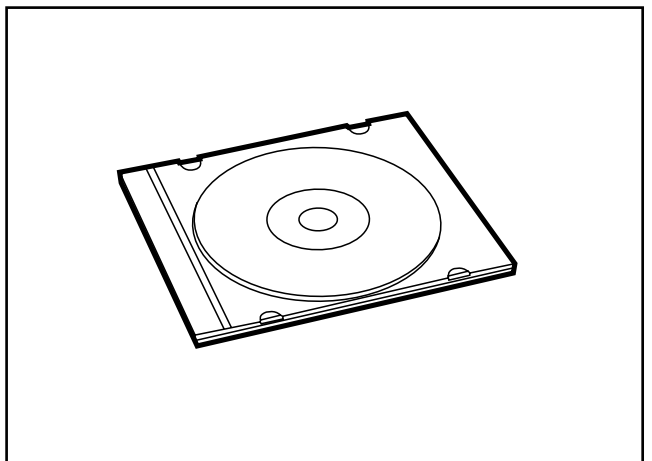
2-7 Test Cable (GH39-00051A)



2-8 Jack Adaptor (GH59-00103A)

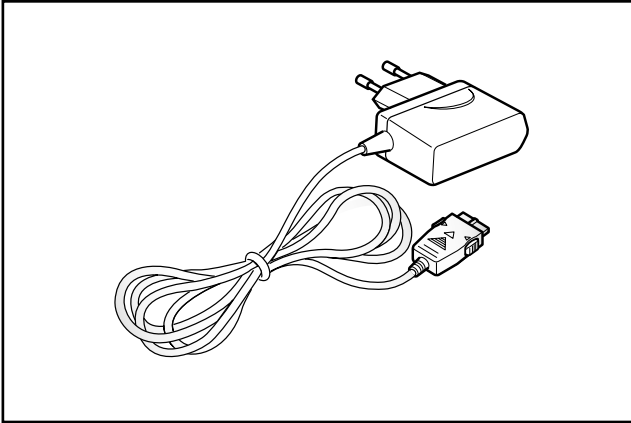


2-9 CD ROM (GH46-00006A)



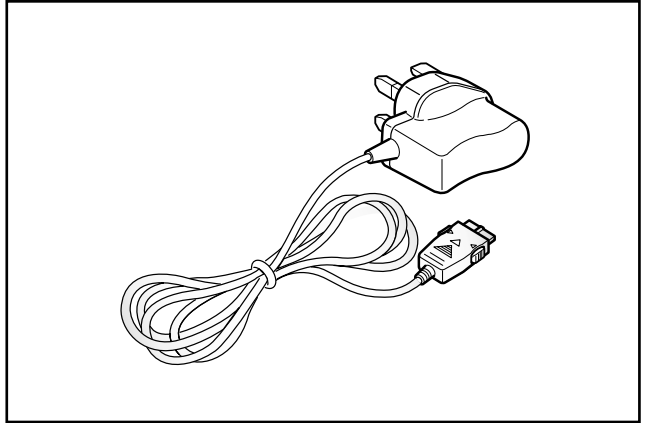
2-10 Travel Adaptor

Europe (GH44-00119A)



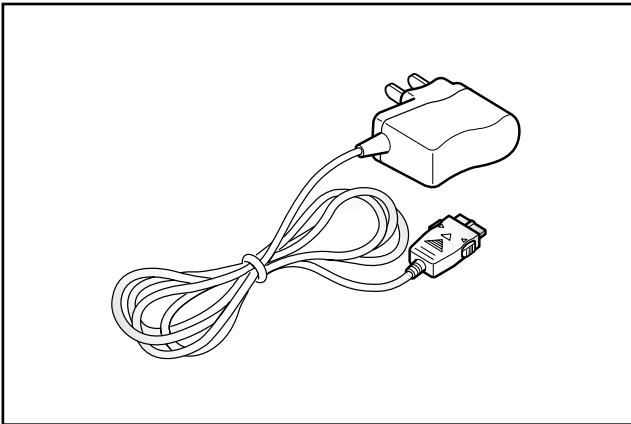
2-11 Travel Adaptor

England (GH44-00119B)



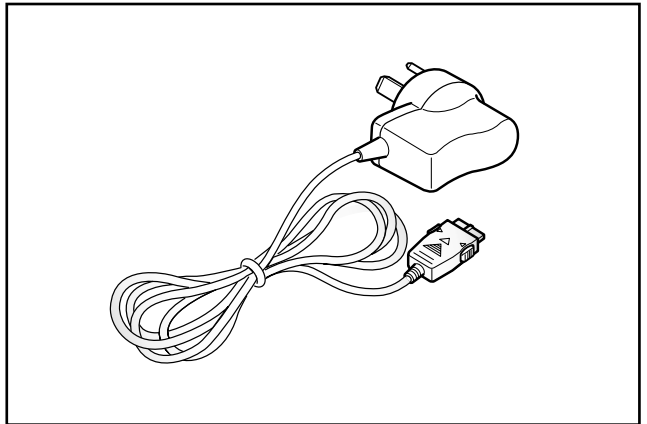
2-12 Travel Adaptor

China (GH44-00119C)

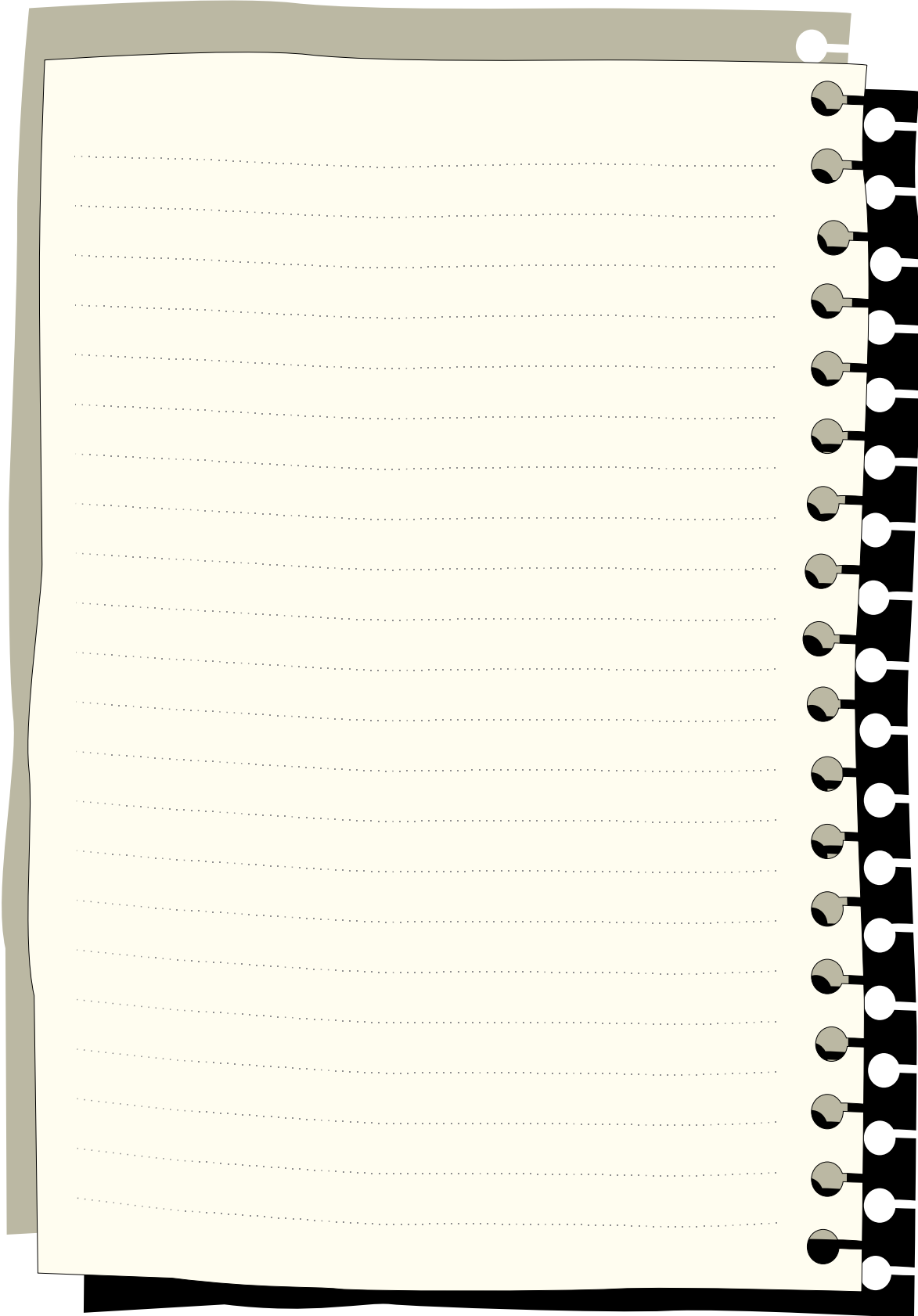


2-13 Travel Adaptor

Australian (GH44-00119D)



MEMO





1. SGH-M100 MAIN Electrical Parts List

Level	SEC CODE	Design LOC	DESCRIPTIONS
0	GH92-00785A		
1	0401-001033	D201	DIODE-SWITCHING MCL4154, 25 V, 200 mA, M-MELF, TP
1	0401-001091	D1105	DIODE-SWITCHING 1SS376, 250 V, -, SOD-323, TP
1	0404-000108	ZD407	DIODE-SCHOTTKY RB705D, 20 V, 30 mA, SOT-23, TP
1	0404-000108	ZD408	DIODE-SCHOTTKY RB705D, 20 V, 30 mA, SOT-23, TP
1	0404-001044	ZD402	DIODE-SCHOTTKY UPS5817, 20 V, 1 A, SMD, TP
1	0404-001044	ZD608	DIODE-SCHOTTKY UPS5817, 20 V, 1 A, SMD, TP
1	0404-001044	ZD609	DIODE-SCHOTTKY UPS5817, 20 V, 1 A, SMD, TP
1	0405-001057	D301	DIODE-VARACTOR SMV1234-004, 15 V, 50 NA, SOT-23, TP
1	0406-001084	ZD1101	DIODE-TVS SMF05, 6/-/ V, 200 W, -
1	0406-001084	ZD1102	DIODE-TVS SMF05, 6/-/ V, 200 W, -
1	0406-001084	ZD1103	DIODE-TVS SMF05, 6/-/ V, 200 W, -
1	0407-000115	D801	DIODE-ARRAY DAN202U, 80 V, 100 mA, CA2-3, SC-70,
1	0407-001002	D1001	DIODE-ARRAY DAN222, 80 V, 300 mA, CA2-3, EM3, TP
1	0407-001002	D603	DIODE-ARRAY DAN222, 80 V, 300 mA, CA2-3, EM3, TP
1	0407-001002	D901	DIODE-ARRAY DAN222, 80 V, 300 mA, CA2-3, EM3, TP
1	0501-000218	Q1001	TR-SMALL SIGNAL 2SC4081, NPN, 200 mW, UMT, TP, 180-3
1	0501-002011	Q1002	TR-SMALL SIGNAL 2SD2114K, NPN, 200 mW, SOT-23, TP, 8
1	0501-002202	Q402	TR-SMALL SIGNAL MMBT2222AWT1, NPN, 150 mW, SOT-323
1	0501-002202	Q802	TR-SMALL SIGNAL MMBT2222AWT1, NPN, 150 mW, SOT-323
1	0504-000167	Q201	TR-DIGITAL RN1102, NPN, 100 mW, 10K/10K, SSM, TP
1	0504-000168	Q1101	TR-DIGITAL RN1104, NPN, 100 mW, 47K/47K, SSM, TP
1	0504-000168	Q606	TR-DIGITAL RN1104, NPN, 100 mW, 47K/47K, SSM, TP
1	0504-000168	Q607	TR-DIGITAL RN1104, NPN, 100 mW, 47K/47K, SSM, TP
1	0504-000168	Q801	TR-DIGITAL RN1104, NPN, 100 mW, 47K/47K, SSM, TP
1	0504-001012	Q701	TR-DIGITAL DTC114YE, NPN, 150 mW, 10K/47K, EMT3, TP
1	0504-001012	Q702	TR-DIGITAL DTC114YE, NPN, 150 mW, 10K/47K, EMT3, TP
1	0504-001012	Q703	TR-DIGITAL DTC114YE, NPN, 150 mW, 10K/47K, EMT3, TP
1	0504-001042	U701	TR-DIGITAL BCR10PN, NPN/PNP, 250 mW, 10K/10K,
1	0504-001042	U702	TR-DIGITAL BCR10PN, NPN/PNP, 250 mW, 10K/10K,
1	0504-001042	U703	TR-DIGITAL BCR10PN, NPN/PNP, 250 mW, 10K/10K,
1	0504-001042	U904	TR-DIGITAL BCR10PN, NPN/PNP, 250 mW, 10K/10K,
1	0505-001237	Q401	FET-SILICON MGSF3442 V, N, 20 V, 4 A, 0.07 ohm, 2 W,
1	0506-001052	U1003	TR-ARRAY UMH9N, NPN, 2, 150 mW, SC-88, TP, 68-
1	0506-001052	U607	TR-ARRAY UMH9N, NPN, 2, 150 mW, SC-88, TP, 68-

Electrical Parts List

Level	SEC CODE	Design LOC	DESCRIPTIONS
1	0506-001052	U609	TR-ARRAY UMH9N, NPN, 2, 150 mW, SC-88, TP, 68-
1	0601-001094	LED201	LED CHIP, Y-GRN, 0.8 x 1.1 mm, 570nm
1	0604-001146	LED901	PHOTO-IRDA -, 875NM, 500 mW, 30DEG, TP
1	0801-002015	U710	IC-CMOS LOGIC 4S81, AND GATE, SOP, 5P, 63MIL, SIN
1	0801-002015	U903	IC-CMOS LOGIC 4S81, AND GATE, SOP, 5P, 63MIL, SIN
1	0801-002399	U711	IC-CMOS LOGIC TC7S86FU, EX-OR GATE, SSOP, 5P, 11
1	0801-002399	U804	IC-CMOS LOGIC TC7S86FU, EX-OR GATE, SSOP, 5P, 11
1	0902-001386	U201	IC-MICROPROCESSOR 46, 16Bit, uBGA, 160P, -, 32 MHz, TR,
1	1001-001132	U1002	IC-ANALOG MULTIPLEX MAX4525EUB-T, TTL/CMOS, SOP,
1	1003-001300	U1104	IC-DRIVER SM8142BD-EL, SOJ, 8P, 110MIL, -, -, TP, PLASTIC, -, -
1	1103-001184	U902	IC-EEPROM 24C256, 32K x 8Bit, dBGA, 8P, 92MIL, -, 2.7 V, -
1	1109-001135	U901	IC-ETC. MEMORY 1342, 128K x 16BIT, CSP, 72P, -, 100NS, 3 V,
1	1201-001420	U502	IC-IF/RF AMP RF210, TSSOP, 20P, 255MIL, -, -, PLASTIC, 5
1	1201-001421	U707	IC-IF/RF AMP RF142, TSSOP, 20P, 255MIL, -, 15 dB,
1	1201-001422	U708	IC-POWER AMP RM008, MCM, 16P, 457MIL, -, -, PALSTIC, 4.5 V, -
1	1201-001462	U801	IC-AUDIO AMP 4864, MSOP, 8P, 118MIL, -, -, PLASTIC, 6 V, 300
1	1201-001462	U802	IC-AUDIO AMP 4864, MSOP, 8P, 118MIL, -, -, PLASTIC, 6 V, 300
1	1203-001515	U605	IC-BATTERY 1510, SSOP, 16P, 150MIL, PLASTIC, 3
1	1203-001703	U401	IC-VOLTAGE REGULATOR 20436, TQFP, 48P, 275MIL, PLASTIC,
1	1203-001917	U205	IC-VOLTAGE REGULATOR 5213, SOT-23, 5P, 50MIL, PLASTIC, 3.3,
1	1205-001647	U301	IC-TRANSCEIVER RF137, TQFP, 48P, 275MIL, PALSTIC, 5 V, 600
1	1205-001708	U101	IC-CODEC 20420, BGA, 100P, -, PLASTIC, 2.7 V, -, -25TO+85C, TR,
1	1209-001219	U706	IC-SENSOR LM60C, SOT-23, 3P, 115MIL, PLASTIC
1	1405-001018	D1102	VARISTOR 14 V, -, 1.6 x 0.8 mm, TP
1	1405-001018	D1103	VARISTOR 14 V, -, 1.6 x 0.8 mm, TP
1	1405-001019	D1101	VARISTOR 5.6 V, -, 1.6 x 0.8 mm, TP
1	1405-001082	V101	VARISTOR 5.6 V, 20 A, 1 x 0.5 x 0.6 mm, TP
1	1405-001082	V102	VARISTOR 5.6 V, 20 A, 1 x 0.5 x 0.6 mm, TP
1	1405-001082	V401	VARISTOR 5.6 V, 20 A, 1 x 0.5 x 0.6 mm, TP
1	1405-001082	V801	VARISTOR 5.6 V, 20 A, 1 x 0.5 x 0.6 mm, TP
1	1405-001082	V802	VARISTOR 5.6 V, 20 A, 1 x 0.5 x 0.6 mm, TP
1	1405-001082	V803	VARISTOR 5.6 V, 20 A, 1 x 0.5 x 0.6 mm, TP
1	1405-001082	V804	VARISTOR 5.6 V, 20 A, 1 x 0.5 x 0.6 mm, TP
1	1405-001082	V805	VARISTOR 5.6 V, 20 A, 1 x 0.5 x 0.6 mm, TP
1	1405-001082	V806	VARISTOR 5.6 V, 20 A, 1 x 0.5 x 0.6 mm, TP

Level	SEC CODE	Design LOC	DESCRIPTIONS
1	1405-001082	V807	VARISTOR 5.6 V, 20 A, 1 x 0.5 x 0.6 mm, TP
1	2007-000070	R1115	R-CHIP 0 ohm, 5 %, 1/16 W, DA, TP, 1608
1	2007-000070	R410	R-CHIP 0 ohm, 5 %, 1/16 W, DA, TP, 1608
1	2007-000070	R815	R-CHIP 0 ohm, 5 %, 1/16 W, DA, TP, 1608
1	2007-000104	R1113	R-CHIP 150 kohm, 5 %, 1/16 W, DA, TP, 1608
1	2007-000137	R505	R-CHIP 2 kohm, 5 %, 1/16 W, DA, TP, 1005
1	2007-000137	R507	R-CHIP 2 kohm, 5 %, 1/16 W, DA, TP, 1005
1	2007-000138	R118	R-CHIP 100 ohm, 5 %, 1/16 W, DA, TP, 1005
1	2007-000138	R127	R-CHIP 100 ohm, 5 %, 1/16 W, DA, TP, 1005
1	2007-000138	R222	R-CHIP 100 ohm, 5 %, 1/16 W, DA, TP, 1005
1	2007-000138	R322	R-CHIP 100 ohm, 5 %, 1/16 W, DA, TP, 1005
1	2007-000138	R323	R-CHIP 100 ohm, 5 %, 1/16 W, DA, TP, 1005
1	2007-000138	R418	R-CHIP 100 ohm, 5 %, 1/16 W, DA, TP, 1005
1	2007-000138	R818	R-CHIP 100 ohm, 5 %, 1/16 W, DA, TP, 1005
1	2007-000138	R819	R-CHIP 100 ohm, 5 %, 1/16 W, DA, TP, 1005
1	2007-000139	R717	R-CHIP 220 ohm, 5 %, 1/16 W, DA, TP, 1005
1	2007-000140	R1006	R-CHIP 1 kohm, 5 %, 1/16 W, DA, TP, 1005
1	2007-000140	R102	R-CHIP 1 kohm, 5 %, 1/16 W, DA, TP, 1005
1	2007-000140	R105	R-CHIP 1 kohm, 5 %, 1/16 W, DA, TP, 1005
1	2007-000140	R108	R-CHIP 1 kohm, 5 %, 1/16 W, DA, TP, 1005
1	2007-000140	R1106	R-CHIP 1 kohm, 5 %, 1/16 W, DA, TP, 1005
1	2007-000140	R1107	R-CHIP 1 kohm, 5 %, 1/16 W, DA, TP, 1005
1	2007-000140	R1108	R-CHIP 1 kohm, 5 %, 1/16 W, DA, TP, 1005
1	2007-000140	R1109	R-CHIP 1 kohm, 5 %, 1/16 W, DA, TP, 1005
1	2007-000140	R1110	R-CHIP 1 kohm, 5 %, 1/16 W, DA, TP, 1005
1	2007-000140	R1111	R-CHIP 1 kohm, 5 %, 1/16 W, DA, TP, 1005
1	2007-000140	R1112	R-CHIP 1 kohm, 5 %, 1/16 W, DA, TP, 1005
1	2007-000140	R1114	R-CHIP 1 kohm, 5 %, 1/16 W, DA, TP, 1005
1	2007-000140	R201	R-CHIP 1 kohm, 5 %, 1/16 W, DA, TP, 1005
1	2007-000140	R309	R-CHIP 1 kohm, 5 %, 1/16 W, DA, TP, 1005
1	2007-000140	R704	R-CHIP 1 kohm, 5 %, 1/16 W, DA, TP, 1005
1	2007-000140	R716	R-CHIP 1 kohm, 5 %, 1/16 W, DA, TP, 1005
1	2007-000140	R807	R-CHIP 1 kohm, 5 %, 1/16 W, DA, TP, 1005
1	2007-000140	R808	R-CHIP 1 kohm, 5 %, 1/16 W, DA, TP, 1005
1	2007-000140	R817	R-CHIP 1 kohm, 5 %, 1/16 W, DA, TP, 1005

Electrical Parts List

Level	SEC CODE	Design LOC	DESCRIPTIONS
1	2007-000140	R905	R-CHIP 1 kohm, 5 %, 1/16 W, DA, TP, 1005
1	2007-000141	R419	R-CHIP 2.2 kohm, 5 %, 1/16 W, DA, TP, 1005
1	2007-000143	R304	R-CHIP 4.7 kohm, 5 %, 1/16 W, DA, TP, 1005
1	2007-000143	R314	R-CHIP 4.7 kohm, 5 %, 1/16 W, DA, TP, 1005
1	2007-000143	R903	R-CHIP 4.7 kohm, 5 %, 1/16 W, DA, TP, 1005
1	2007-000144	R708	R-CHIP 5.1 kohm, 5 %, 1/16 W, DA, TP, 1005
1	2007-000144	R711	R-CHIP 5.1 kohm, 5 %, 1/16 W, DA, TP, 1005
1	2007-000146	R313	R-CHIP 6.8 kohm, 5 %, 1/16 W, DA, TP, 1005
1	2007-000148	R1005	R-CHIP 10 kohm, 5 %, 1/16 W, DA, TP, 1005
1	2007-000148	R1102	R-CHIP 10 kohm, 5 %, 1/16 W, DA, TP, 1005
1	2007-000148	R1103	R-CHIP 10 kohm, 5 %, 1/16 W, DA, TP, 1005
1	2007-000148	R1104	R-CHIP 10 kohm, 5 %, 1/16 W, DA, TP, 1005
1	2007-000148	R1105	R-CHIP 10 kohm, 5 %, 1/16 W, DA, TP, 1005
1	2007-000148	R202	R-CHIP 10 kohm, 5 %, 1/16 W, DA, TP, 1005
1	2007-000148	R204	R-CHIP 10 kohm, 5 %, 1/16 W, DA, TP, 1005
1	2007-000148	R205	R-CHIP 10 kohm, 5 %, 1/16 W, DA, TP, 1005
1	2007-000148	R206	R-CHIP 10 kohm, 5 %, 1/16 W, DA, TP, 1005
1	2007-000148	R207	R-CHIP 10 kohm, 5 %, 1/16 W, DA, TP, 1005
1	2007-000148	R218	R-CHIP 10 kohm, 5 %, 1/16 W, DA, TP, 1005
1	2007-000148	R219	R-CHIP 10 kohm, 5 %, 1/16 W, DA, TP, 1005
1	2007-000148	R220	R-CHIP 10 kohm, 5 %, 1/16 W, DA, TP, 1005
1	2007-000148	R221	R-CHIP 10 kohm, 5 %, 1/16 W, DA, TP, 1005
1	2007-000148	R409	R-CHIP 10 kohm, 5 %, 1/16 W, DA, TP, 1005
1	2007-000148	R701	R-CHIP 10 kohm, 5 %, 1/16 W, DA, TP, 1005
1	2007-000148	R702	R-CHIP 10 kohm, 5 %, 1/16 W, DA, TP, 1005
1	2007-000148	R705	R-CHIP 10 kohm, 5 %, 1/16 W, DA, TP, 1005
1	2007-000148	R802	R-CHIP 10 kohm, 5 %, 1/16 W, DA, TP, 1005
1	2007-000148	R803	R-CHIP 10 kohm, 5 %, 1/16 W, DA, TP, 1005
1	2007-000148	R915	R-CHIP 10 kohm, 5 %, 1/16 W, DA, TP, 1005
1	2007-000148	R917	R-CHIP 10 kohm, 5 %, 1/16 W, DA, TP, 1005
1	2007-000151	R902	R-CHIP 15 kohm, 5 %, 1/16 W, DA, TP, 1005
1	2007-000153	R812	R-CHIP 22 kohm, 5 %, 1/16 W, DA, TP, 1005
1	2007-000156	R643	R-CHIP 30 kohm, 5 %, 1/16 W, DA, TP, 1005
1	2007-000157	R1007	R-CHIP 47 kohm, 5 %, 1/16 W, DA, TP, 1005
1	2007-000157	R710	R-CHIP 47 kohm, 5 %, 1/16 W, DA, TP, 1005

Level	SEC CODE	Design LOC	DESCRIPTIONS
1	2007-000162	R1001	R-CHIP 100 kohm, 5 %, 1/16 W, DA, TP, 1005
1	2007-000162	R1003	R-CHIP 100 kohm, 5 %, 1/16 W, DA, TP, 1005
1	2007-000162	R1004	R-CHIP 100 kohm, 5 %, 1/16 W, DA, TP, 1005
1	2007-000162	R1008	R-CHIP 100 kohm, 5 %, 1/16 W, DA, TP, 1005
1	2007-000162	R401	R-CHIP 100 kohm, 5 %, 1/16 W, DA, TP, 1005
1	2007-000162	R638	R-CHIP 100 kohm, 5 %, 1/16 W, DA, TP, 1005
1	2007-000162	R804	R-CHIP 100 kohm, 5 %, 1/16 W, DA, TP, 1005
1	2007-000162	R805	R-CHIP 100 kohm, 5 %, 1/16 W, DA, TP, 1005
1	2007-000170	R223	R-CHIP 1 Mohm, 5 %, 1/16 W, DA, TP, 1005
1	2007-000170	R715	R-CHIP 1 Mohm, 5 %, 1/16 W, DA, TP, 1005
1	2007-000172	R101	R-CHIP 10 ohm, 5 %, 1/16 W, DA, TP, 1005
1	2007-000172	R1119	R-CHIP 10 ohm, 5 %, 1/16 W, DA, TP, 1005
1	2007-000172	R119	R-CHIP 10 ohm, 5 %, 1/16 W, DA, TP, 1005
1	2007-000172	R224	R-CHIP 10 ohm, 5 %, 1/16 W, DA, TP, 1005
1	2007-000172	R303	R-CHIP 10 ohm, 5 %, 1/16 W, DA, TP, 1005
1	2007-000172	R308	R-CHIP 10 ohm, 5 %, 1/16 W, DA, TP, 1005
1	2007-000172	R310	R-CHIP 10 ohm, 5 %, 1/16 W, DA, TP, 1005
1	2007-000172	R321	R-CHIP 10 ohm, 5 %, 1/16 W, DA, TP, 1005
1	2007-000172	R326	R-CHIP 10 ohm, 5 %, 1/16 W, DA, TP, 1005
1	2007-000172	R422	R-CHIP 10 ohm, 5 %, 1/16 W, DA, TP, 1005
1	2007-000172	R501	R-CHIP 10 ohm, 5 %, 1/16 W, DA, TP, 1005
1	2007-000173	R117	R-CHIP 22 ohm, 5 %, 1/16 W, DA, TP, 1005
1	2007-000173	R312	R-CHIP 22 ohm, 5 %, 1/16 W, DA, TP, 1005
1	2007-000173	R325	R-CHIP 22 ohm, 5 %, 1/16 W, DA, TP, 1005
1	2007-000775	R116	R-CHIP 33 kohm, 5 %, 1/16 W, DA, TP, 1005
1	2007-000932	R215	R-CHIP 470 ohm, 5 %, 1/16 W, DA, TP, 1005
1	2007-001292	R217	R-CHIP 33 ohm, 5 %, 1/16 W, DA, TP, 1005
1	2007-001298	R301	R-CHIP 51 ohm, 5 %, 1/16 W, DA, TP, 1005
1	2007-001298	R305	R-CHIP 51 ohm, 5 %, 1/16 W, DA, TP, 1005
1	2007-001298	R327	R-CHIP 51 ohm, 5 %, 1/16 W, DA, TP, 1005
1	2007-001298	R328	R-CHIP 51 ohm, 5 %, 1/16 W, DA, TP, 1005
1	2007-001298	R703	R-CHIP 51 ohm, 5 %, 1/16 W, DA, TP, 1005
1	2007-001298	R709	R-CHIP 51 ohm, 5 %, 1/16 W, DA, TP, 1005
1	2007-001298	R820	R-CHIP 51 ohm, 5 %, 1/16 W, DA, TP, 1005
1	2007-001298	R821	R-CHIP 51 ohm, 5 %, 1/16 W, DA, TP, 1005

Electrical Parts List

Level	SEC CODE	Design LOC	DESCRIPTIONS
1	2007-001305	R713	R-CHIP 120 ohm, 5 %, 1/16 W, DA, TP, 1005
1	2007-001305	R714	R-CHIP 120 ohm, 5 %, 1/16 W, DA, TP, 1005
1	2007-001306	R721	R-CHIP 150 ohm, 5 %, 1/16 W, DA, TP, 1005
1	2007-001306	R809	R-CHIP 150 ohm, 5 %, 1/16 W, DA, TP, 1005
1	2007-001308	R722	R-CHIP 200 ohm, 5 %, 1/16 W, DA, TP, 1005
1	2007-001323	R306	R-CHIP 3 kohm, 5 %, 1/16 W, DA, TP, 1005
1	2007-001323	R307	R-CHIP 3 kohm, 5 %, 1/16 W, DA, TP, 1005
1	2007-002965	R720	R-CHIP 15 ohm, 5 %, 1/16 W, DA, TP, 1005
1	2007-003001	R719	R-CHIP 12 ohm, 5 %, 1/16 W, DA, TP, 1005
1	2007-007001	R1002	R-CHIP 3.9 kohm, 5 %, 1/16 W, DA, TP, 1005
1	2007-007001	R302	R-CHIP 3.9 kohm, 5 %, 1/16 W, DA, TP, 1005
1	2007-007001	R329	R-CHIP 3.9 kohm, 5 %, 1/16 W, DA, TP, 1005
1	2007-007008	R650	R-CHIP 300 ohm, 5 %, 1/16 W, DA, TP, 1005
1	2007-007092	R107	R-CHIP 1.1 kohm, 5 %, 1/16 W, DA, TP, 1005
1	2007-007092	R112	R-CHIP 1.1 kohm, 5 %, 1/16 W, DA, TP, 1005
1	2007-007095	R718	R-CHIP 390 ohm, 5 %, 1/16 W, DA, TP, 1005
1	2007-007107	R640	R-CHIP 100 kohm, 1 %, 1/16 W, DA, TP, 1005
1	2007-007107	R641	R-CHIP 100 kohm, 1 %, 1/16 W, DA, TP, 1005
1	2007-007135	R646	R-CHIP 18 kohm, 1 %, 1/16 W, DA, TP, 1005
1	2007-007142	R644	R-CHIP 10 kohm, 1 %, 1/16 W, DA, TP, 1005
1	2007-007193	R530	R-CHIP 5.1 ohm, 5 %, 1/16 W, DA, TP, 1005
1	2007-007197	R103	R-CHIP 3.3 ohm, 5 %, 1/16 W, DA, TP, 1005
1	2007-007197	R104	R-CHIP 3.3 ohm, 5 %, 1/16 W, DA, TP, 1005
1	2007-007197	R114	R-CHIP 3.3 ohm, 5 %, 1/16 W, DA, TP, 1005
1	2007-007197	R115	R-CHIP 3.3 ohm, 5 %, 1/16 W, DA, TP, 1005
1	2007-007309	R647	R-CHIP 12 kohm, 1 %, 1/16 W, DA, TP, 1005
1	2007-007312	R707	R-CHIP 20 kohm, 1 %, 1/16 W, DA, TP, 1005
1	2007-007468	R106	R-CHIP 121 kohm, 1 %, 1/16 W, DA, TP, 1005
1	2007-007470	R706	R-CHIP 7.5 kohm, 1 %, 1/16 W, DA, TP, 1005
1	2007-007592	R639	R-CHIP 270 kohm, 1 %, 1/16 W, DA, TP, 1005
1	2007-007592	R645	R-CHIP 270 kohm, 1 %, 1/16 W, DA, TP, 1005
1	2007-007771	R110	R-CHIP 0 ohm, 5 %, 1/16 W, DA, TP, 1005
1	2007-007771	R1101	R-CHIP 0 ohm, 5 %, 1/16 W, DA, TP, 1005
1	2007-007771	R1118	R-CHIP 0 ohm, 5 %, 1/16 W, DA, TP, 1005
1	2007-007771	R113	R-CHIP 0 ohm, 5 %, 1/16 W, DA, TP, 1005

Level	SEC CODE	Design LOC	DESCRIPTIONS
1	2007-007771	R125	R-CHIP 0 ohm, 5 %, 1/16 W, DA, TP, 1005
1	2007-007771	R126	R-CHIP 0 ohm, 5 %, 1/16 W, DA, TP, 1005
1	2007-007771	R208	R-CHIP 0 ohm, 5 %, 1/16 W, DA, TP, 1005
1	2007-007771	R212	R-CHIP 0 ohm, 5 %, 1/16 W, DA, TP, 1005
1	2007-007771	R213	R-CHIP 0 ohm, 5 %, 1/16 W, DA, TP, 1005
1	2007-007771	R315	R-CHIP 0 ohm, 5 %, 1/16 W, DA, TP, 1005
1	2007-007771	R403	R-CHIP 0 ohm, 5 %, 1/16 W, DA, TP, 1005
1	2007-007771	R415	R-CHIP 0 ohm, 5 %, 1/16 W, DA, TP, 1005
1	2007-007771	R420	R-CHIP 0 ohm, 5 %, 1/16 W, DA, TP, 1005
1	2007-007771	R421	R-CHIP 0 ohm, 5 %, 1/16 W, DA, TP, 1005
1	2007-007771	R712	R-CHIP 0 ohm, 5 %, 1/16 W, DA, TP, 1005
1	2007-007771	R730	R-CHIP 0 ohm, 5 %, 1/16 W, DA, TP, 1005
1	2007-007771	R731	R-CHIP 0 ohm, 5 %, 1/16 W, DA, TP, 1005
1	2007-007771	R813	R-CHIP 0 ohm, 5 %, 1/16 W, DA, TP, 1005
1	2007-007771	R814	R-CHIP 0 ohm, 5 %, 1/16 W, DA, TP, 1005
1	2007-007771	R906	R-CHIP 0 ohm, 5 %, 1/16 W, DA, TP, 1005
1	2007-007771	R907	R-CHIP 0 ohm, 5 %, 1/16 W, DA, TP, 1005
1	2007-007771	R908	R-CHIP 0 ohm, 5 %, 1/16 W, DA, TP, 1005
1	2007-007771	R914	R-CHIP 0 ohm, 5 %, 1/16 W, DA, TP, 1005
1	2007-007833	R406	R-CHIP 0.68 ohm, 2 %, 1/10 W, DA, TP, 2012
1	2007-007875	R637	R-CHIP 160 kohm, 1 %, 1/16 W, DA, TP, 1005
1	2203-000138	C714	C-CERAMIC, CHIP 1.5 nF, 10 %, 50 V, X7R, TP, 1005, -
1	2203-000233	C108	C-CERAMIC, CHIP 0.1 nF, 5 %, 50 V, NPO, TP, 1005
1	2203-000233	C326	C-CERAMIC, CHIP 0.1 nF, 5 %, 50 V, NPO, TP, 1005
1	2203-000233	C329	C-CERAMIC, CHIP 0.1 nF, 5 %, 50 V, NPO, TP, 1005
1	2203-000233	C356	C-CERAMIC, CHIP 0.1 nF, 5 %, 50 V, NPO, TP, 1005
1	2203-000233	C402	C-CERAMIC, CHIP 0.1 nF, 5 %, 50 V, NPO, TP, 1005
1	2203-000233	C510	C-CERAMIC, CHIP 0.1 nF, 5 %, 50 V, NPO, TP, 1005
1	2203-000233	C701	C-CERAMIC, CHIP 0.1 nF, 5 %, 50 V, NPO, TP, 1005
1	2203-000233	C702	C-CERAMIC, CHIP 0.1 nF, 5 %, 50 V, NPO, TP, 1005
1	2203-000233	C704	C-CERAMIC, CHIP 0.1 nF, 5 %, 50 V, NPO, TP, 1005
1	2203-000233	C705	C-CERAMIC, CHIP 0.1 nF, 5 %, 50 V, NPO, TP, 1005
1	2203-000233	C712	C-CERAMIC, CHIP 0.1 nF, 5 %, 50 V, NPO, TP, 1005
1	2203-000233	C728	C-CERAMIC, CHIP 0.1 nF, 5 %, 50 V, NPO, TP, 1005
1	2203-000233	C731	C-CERAMIC, CHIP 0.1 nF, 5 %, 50 V, NPO, TP, 1005

Electrical Parts List

Level	SEC CODE	Design LOC	DESCRIPTIONS
1	2203-000233	C915	C-CERAMIC, CHIP 0.1 nF, 5 %, 50 V, NP0, TP, 1005
1	2203-000254	C1115	C-CERAMIC, CHIP 10 nF, 10 %, 16 V, X7R, TP, 1005, -
1	2203-000254	C1117	C-CERAMIC, CHIP 10 nF, 10 %, 16 V, X7R, TP, 1005, -
1	2203-000254	C216	C-CERAMIC, CHIP 10 nF, 10 %, 16 V, X7R, TP, 1005, -
1	2203-000254	C317	C-CERAMIC, CHIP 10 nF, 10 %, 16 V, X7R, TP, 1005, -
1	2203-000254	C324	C-CERAMIC, CHIP 10 nF, 10 %, 16 V, X7R, TP, 1005, -
1	2203-000254	C327	C-CERAMIC, CHIP 10 nF, 10 %, 16 V, X7R, TP, 1005, -
1	2203-000254	C328	C-CERAMIC, CHIP 10 nF, 10 %, 16 V, X7R, TP, 1005, -
1	2203-000254	C352	C-CERAMIC, CHIP 10 nF, 10 %, 16 V, X7R, TP, 1005, -
1	2203-000254	C401	C-CERAMIC, CHIP 10 nF, 10 %, 16 V, X7R, TP, 1005, -
1	2203-000254	C720	C-CERAMIC, CHIP 10 nF, 10 %, 16 V, X7R, TP, 1005, -
1	2203-000254	C721	C-CERAMIC, CHIP 10 nF, 10 %, 16 V, X7R, TP, 1005, -
1	2203-000254	C734	C-CERAMIC, CHIP 10 nF, 10 %, 16 V, X7R, TP, 1005, -
1	2203-000254	C914	C-CERAMIC, CHIP 10 nF, 10 %, 16 V, X7R, TP, 1005, -
1	2203-000278	C113	C-CERAMIC, CHIP 0.01 nF, 0.5 pF, 50 V, NP0, TP, 1005
1	2203-000278	C136	C-CERAMIC, CHIP 0.01 nF, 0.5 pF, 50 V, NP0, TP, 1005
1	2203-000278	C137	C-CERAMIC, CHIP 0.01 nF, 0.5 pF, 50 V, NP0, TP, 1005
1	2203-000278	C709	C-CERAMIC, CHIP 0.01 nF, 0.5 pF, 50 V, NP0, TP, 1005
1	2203-000278	C716	C-CERAMIC, CHIP 0.01 nF, 0.5 pF, 50 V, NP0, TP, 1005
1	2203-000278	C730	C-CERAMIC, CHIP 0.01 nF, 0.5 pF, 50 V, NP0, TP, 1005
1	2203-000278	C832	C-CERAMIC, CHIP 0.01 nF, 0.5 pF, 50 V, NP0, TP, 1005
1	2203-000311	C330	C-CERAMIC, CHIP 0.12 nF, 5 %, 50 V, NP0, TP, 1005
1	2203-000311	C331	C-CERAMIC, CHIP 0.12 nF, 5 %, 50 V, NP0, TP, 1005
1	2203-000330	C301	C-CERAMIC, CHIP 0.012 nF, 5 %, 50 V, NP0, TP, 1005
1	2203-000330	C306	C-CERAMIC, CHIP 0.012 nF, 5 %, 50 V, NP0, TP, 1005
1	2203-000330	C350	C-CERAMIC, CHIP 0.012 nF, 5 %, 50 V, NP0, TP, 1005
1	2203-000330	C520	C-CERAMIC, CHIP 0.012 nF, 5 %, 50 V, NP0, TP, 1005
1	2203-000359	C103	C-CERAMIC, CHIP 0.15 nF, 5 %, 50 V, NP0, TP, 1005
1	2203-000359	C106	C-CERAMIC, CHIP 0.15 nF, 5 %, 50 V, NP0, TP, 1005
1	2203-000359	C128	C-CERAMIC, CHIP 0.15 nF, 5 %, 50 V, NP0, TP, 1005
1	2203-000359	C201	C-CERAMIC, CHIP 0.15 nF, 5 %, 50 V, NP0, TP, 1005
1	2203-000359	C203	C-CERAMIC, CHIP 0.15 nF, 5 %, 50 V, NP0, TP, 1005
1	2203-000359	C206	C-CERAMIC, CHIP 0.15 nF, 5 %, 50 V, NP0, TP, 1005
1	2203-000359	C210	C-CERAMIC, CHIP 0.15 nF, 5 %, 50 V, NP0, TP, 1005
1	2203-000359	C403	C-CERAMIC, CHIP 0.15 nF, 5 %, 50 V, NP0, TP, 1005

Level	SEC CODE	Design LOC	DESCRIPTIONS
1	2203-000359	C405	C-CERAMIC, CHIP 0.15 nF, 5 %, 50 V, NP0, TP, 1005
1	2203-000359	C723	C-CERAMIC, CHIP 0.15 nF, 5 %, 50 V, NP0, TP, 1005
1	2203-000386	C316	C-CERAMIC, CHIP 0.015 nF, 5 %, 50 V, NP0, TP, 1005
1	2203-000425	C308	C-CERAMIC, CHIP 0.018 nF, 5 %, 50 V, NP0, TP, 1005
1	2203-000425	C348	C-CERAMIC, CHIP 0.018 nF, 5 %, 50 V, NP0, TP, 1005
1	2203-000438	C318	C-CERAMIC, CHIP 1 nF, 10 %, 50 V, X7R, TP, 1005, -
1	2203-000438	C349	C-CERAMIC, CHIP 1 nF, 10 %, 50 V, X7R, TP, 1005, -
1	2203-000438	C703	C-CERAMIC, CHIP 1 nF, 10 %, 50 V, X7R, TP, 1005, -
1	2203-000438	C725	C-CERAMIC, CHIP 1 nF, 10 %, 50 V, X7R, TP, 1005, -
1	2203-000466	C711	C-CERAMIC, CHIP 0.001 nF, 0.25 pF, 50 V, NP0, TP, 1005
1	2203-000466	C740	C-CERAMIC, CHIP 0.001 nF, 0.25 pF, 50 V, NP0, TP, 1005
1	2203-000489	C529	C-CERAMIC, CHIP 2.2 nF, 10 %, 50 V, X7R, TP, 1005, -
1	2203-000628	C212	C-CERAMIC, CHIP 0.022 nF, 5 %, 50 V, NP0, TP, 1005
1	2203-000628	C213	C-CERAMIC, CHIP 0.022 nF, 5 %, 50 V, NP0, TP, 1005
1	2203-000628	C309	C-CERAMIC, CHIP 0.022 nF, 5 %, 50 V, NP0, TP, 1005
1	2203-000628	C410	C-CERAMIC, CHIP 0.022 nF, 5 %, 50 V, NP0, TP, 1005
1	2203-000628	C506	C-CERAMIC, CHIP 0.022 nF, 5 %, 50 V, NP0, TP, 1005
1	2203-000628	C512	C-CERAMIC, CHIP 0.022 nF, 5 %, 50 V, NP0, TP, 1005
1	2203-000628	C526	C-CERAMIC, CHIP 0.022 nF, 5 %, 50 V, NP0, TP, 1005
1	2203-000628	C528	C-CERAMIC, CHIP 0.022 nF, 5 %, 50 V, NP0, TP, 1005
1	2203-000628	C707	C-CERAMIC, CHIP 0.022 nF, 5 %, 50 V, NP0, TP, 1005
1	2203-000643	C302	C-CERAMIC, CHIP 0.024 nF, 5 %, 50 V, NP0, TP, 1005
1	2203-000643	C307	C-CERAMIC, CHIP 0.024 nF, 5 %, 50 V, NP0, TP, 1005
1	2203-000696	C525	C-CERAMIC, CHIP 0.002 nF, 0.25 pF, 50 V, NP0, TP, 1005
1	2203-000696	C735	C-CERAMIC, CHIP 0.002 nF, 0.25 pF, 50 V, NP0, TP, 1005
1	2203-000725	C733	C-CERAMIC, CHIP 3.9 nF, 10 %, 50 V, X7R, TP, 1005, -
1	2203-000812	C132	C-CERAMIC, CHIP 0.033 nF, 5 %, 50 V, NP0, TP, 1005
1	2203-000812	C138	C-CERAMIC, CHIP 0.033 nF, 5 %, 50 V, NP0, TP, 1005
1	2203-000812	C311	C-CERAMIC, CHIP 0.033 nF, 5 %, 50 V, NP0, TP, 1005
1	2203-000812	C313	C-CERAMIC, CHIP 0.033 nF, 5 %, 50 V, NP0, TP, 1005
1	2203-000812	C314	C-CERAMIC, CHIP 0.033 nF, 5 %, 50 V, NP0, TP, 1005
1	2203-000812	C321	C-CERAMIC, CHIP 0.033 nF, 5 %, 50 V, NP0, TP, 1005
1	2203-000812	C333	C-CERAMIC, CHIP 0.033 nF, 5 %, 50 V, NP0, TP, 1005
1	2203-000812	C351	C-CERAMIC, CHIP 0.033 nF, 5 %, 50 V, NP0, TP, 1005
1	2203-000812	C706	C-CERAMIC, CHIP 0.033 nF, 5 %, 50 V, NP0, TP, 1005

Level	SEC CODE	Design LOC	DESCRIPTIONS
1	2203-000812	C710	C-CERAMIC, CHIP 0.033 nF, 5 %, 50 V, NP0, TP, 1005
1	2203-000812	C713	C-CERAMIC, CHIP 0.033 nF, 5 %, 50 V, NP0, TP, 1005
1	2203-000812	C719	C-CERAMIC, CHIP 0.033 nF, 5 %, 50 V, NP0, TP, 1005
1	2203-000812	C722	C-CERAMIC, CHIP 0.033 nF, 5 %, 50 V, NP0, TP, 1005
1	2203-000812	C724	C-CERAMIC, CHIP 0.033 nF, 5 %, 50 V, NP0, TP, 1005
1	2203-000812	C732	C-CERAMIC, CHIP 0.033 nF, 5 %, 50 V, NP0, TP, 1005
1	2203-000812	C828	C-CERAMIC, CHIP 0.033 nF, 5 %, 50 V, NP0, TP, 1005
1	2203-000812	C829	C-CERAMIC, CHIP 0.033 nF, 5 %, 50 V, NP0, TP, 1005
1	2203-000812	C830	C-CERAMIC, CHIP 0.033 nF, 5 %, 50 V, NP0, TP, 1005
1	2203-000812	C831	C-CERAMIC, CHIP 0.033 nF, 5 %, 50 V, NP0, TP, 1005
1	2203-000854	C715	C-CERAMIC, CHIP 0.039 nF, 5 %, 50 V, NP0, TP, 1005
1	2203-000854	C717	C-CERAMIC, CHIP 0.039 nF, 5 %, 50 V, NP0, TP, 1005
1	2203-000940	C312	C-CERAMIC, CHIP 470 pF, 10 %, 50 V, X7R, TP, 1005, -
1	2203-000940	C343	C-CERAMIC, CHIP 470 pF, 10 %, 50 V, X7R, TP, 1005, -
1	2203-000995	C1119	C-CERAMIC, CHIP 0.047 nF, 5 %, 50 V, NP0, TP, 1005
1	2203-000995	C143	C-CERAMIC, CHIP 0.047 nF, 5 %, 50 V, NP0, TP, 1005
1	2203-000995	C145	C-CERAMIC, CHIP 0.047 nF, 5 %, 50 V, NP0, TP, 1005
1	2203-000995	C219	C-CERAMIC, CHIP 0.047 nF, 5 %, 50 V, NP0, TP, 1005
1	2203-000995	C515	C-CERAMIC, CHIP 0.047 nF, 5 %, 50 V, NP0, TP, 1005
1	2203-001017	C344	C-CERAMIC, CHIP 0.004 nF, 0.25 pF, 50 V, NP0, TP, 1005
1	2203-001017	C347	C-CERAMIC, CHIP 0.004 nF, 0.25 pF, 50 V, NP0, TP, 1005
1	2203-001239	C325	C-CERAMIC, CHIP 0.082 nF, 5 %, 50 V, NP0, TP, 1005
1	2203-001383	C572	C-CERAMIC, CHIP 0.0005 nF, 0.25 pF, 50 V, NP0, TP, 1005
1	2203-001385	C523	C-CERAMIC, CHIP 0.0015 nF, 0.25 pF, 50 V, NP0, TP, 1005
1	2203-001405	C738	C-CERAMIC, CHIP 22 nF, +80-20 %, 25 V, Y5 V, TP, 1005
1	2203-001432	C104	C-CERAMIC, CHIP 47 nF, +80-20 %, 16 V, Y5 V, TP, 1005
1	2203-001432	C107	C-CERAMIC, CHIP 47 nF, +80-20 %, 16 V, Y5 V, TP, 1005
1	2203-001432	C1118	C-CERAMIC, CHIP 47 nF, +80-20 %, 16 V, Y5 V, TP, 1005
1	2203-001432	C112	C-CERAMIC, CHIP 47 nF, +80-20 %, 16 V, Y5 V, TP, 1005
1	2203-001432	C116	C-CERAMIC, CHIP 47 nF, +80-20 %, 16 V, Y5 V, TP, 1005
1	2203-001432	C122	C-CERAMIC, CHIP 47 nF, +80-20 %, 16 V, Y5 V, TP, 1005
1	2203-001432	C123	C-CERAMIC, CHIP 47 nF, +80-20 %, 16 V, Y5 V, TP, 1005
1	2203-001432	C126	C-CERAMIC, CHIP 47 nF, +80-20 %, 16 V, Y5 V, TP, 1005
1	2203-001432	C127	C-CERAMIC, CHIP 47 nF, +80-20 %, 16 V, Y5 V, TP, 1005
1	2203-001432	C129	C-CERAMIC, CHIP 47 nF, +80-20 %, 16 V, Y5 V, TP, 1005

Level	SEC CODE	Design LOC	DESCRIPTIONS
1	2203-001432	C135	C-CERAMIC, CHIP 47 nF, +80-20 %, 16 V, Y5 V, TP, 1005
1	2203-001432	C911	C-CERAMIC, CHIP 47 nF, +80-20 %, 16 V, Y5 V, TP, 1005
1	2203-002443	C115	C-CERAMIC, CHIP 0.33 nF, 10 %, 50 V, X7R, TP, 1005
1	2203-002443	C354	C-CERAMIC, CHIP 0.33 nF, 10 %, 50 V, X7R, TP, 1005
1	2203-002759	C737	C-CERAMIC, CHIP 15 nF, +80-20 %, 50 V, Y5 V, TP, 1005, -
1	2203-005054	C739	C-CERAMIC, CHIP 0.0047 nF, 0.25 pF, 50 V, NP0, TP, 1005
1	2203-005061	C1003	C-CERAMIC, CHIP 100 nF, +80-20 %, 16 V, Y5 V, TP, 1005
1	2203-005061	C1106	C-CERAMIC, CHIP 100 nF, +80-20 %, 16 V, Y5 V, TP, 1005
1	2203-005061	C1107	C-CERAMIC, CHIP 100 nF, +80-20 %, 16 V, Y5 V, TP, 1005
1	2203-005061	C1108	C-CERAMIC, CHIP 100 nF, +80-20 %, 16 V, Y5 V, TP, 1005
1	2203-005061	C1109	C-CERAMIC, CHIP 100 nF, +80-20 %, 16 V, Y5 V, TP, 1005
1	2203-005061	C211	C-CERAMIC, CHIP 100 nF, +80-20 %, 16 V, Y5 V, TP, 1005
1	2203-005061	C615	C-CERAMIC, CHIP 100 nF, +80-20 %, 16 V, Y5 V, TP, 1005
1	2203-005061	C616	C-CERAMIC, CHIP 100 nF, +80-20 %, 16 V, Y5 V, TP, 1005
1	2203-005061	C810	C-CERAMIC, CHIP 100 nF, +80-20 %, 16 V, Y5 V, TP, 1005
1	2203-005061	C812	C-CERAMIC, CHIP 100 nF, +80-20 %, 16 V, Y5 V, TP, 1005
1	2203-005065	C1002	C-CERAMIC, CHIP 1000 nF, +80-20 %, 10 V, Y5 V, TP, 1608
1	2203-005065	C1004	C-CERAMIC, CHIP 1000 nF, +80-20 %, 10 V, Y5 V, TP, 1608
1	2203-005065	C1101	C-CERAMIC, CHIP 1000 nF, +80-20 %, 10 V, Y5 V, TP, 1608
1	2203-005065	C1102	C-CERAMIC, CHIP 1000 nF, +80-20 %, 10 V, Y5 V, TP, 1608
1	2203-005065	C1103	C-CERAMIC, CHIP 1000 nF, +80-20 %, 10 V, Y5 V, TP, 1608
1	2203-005065	C1104	C-CERAMIC, CHIP 1000 nF, +80-20 %, 10 V, Y5 V, TP, 1608
1	2203-005065	C1105	C-CERAMIC, CHIP 1000 nF, +80-20 %, 10 V, Y5 V, TP, 1608
1	2203-005065	C1110	C-CERAMIC, CHIP 1000 nF, +80-20 %, 10 V, Y5 V, TP, 1608
1	2203-005065	C119	C-CERAMIC, CHIP 1000 nF, +80-20 %, 10 V, Y5 V, TP, 1608
1	2203-005065	C215	C-CERAMIC, CHIP 1000 nF, +80-20 %, 10 V, Y5 V, TP, 1608
1	2203-005065	C217	C-CERAMIC, CHIP 1000 nF, +80-20 %, 10 V, Y5 V, TP, 1608
1	2203-005065	C404	C-CERAMIC, CHIP 1000 nF, +80-20 %, 10 V, Y5 V, TP, 1608
1	2203-005065	C406	C-CERAMIC, CHIP 1000 nF, +80-20 %, 10 V, Y5 V, TP, 1608
1	2203-005065	C409	C-CERAMIC, CHIP 1000 nF, +80-20 %, 10 V, Y5 V, TP, 1608
1	2203-005065	C411	C-CERAMIC, CHIP 1000 nF, +80-20 %, 10 V, Y5 V, TP, 1608
1	2203-005065	C413	C-CERAMIC, CHIP 1000 nF, +80-20 %, 10 V, Y5 V, TP, 1608
1	2203-005065	C421	C-CERAMIC, CHIP 1000 nF, +80-20 %, 10 V, Y5 V, TP, 1608
1	2203-005065	C617	C-CERAMIC, CHIP 1000 nF, +80-20 %, 10 V, Y5 V, TP, 1608
1	2203-005065	C801	C-CERAMIC, CHIP 1000 nF, +80-20 %, 10 V, Y5 V, TP, 1608

Electrical Parts List

Level	SEC CODE	Design LOC	DESCRIPTIONS
1	2203-005065	C804	C-CERAMIC, CHIP 1000 nF, +80-20 %, 10 V, Y5 V, TP, 1608
1	2203-005065	C809	C-CERAMIC, CHIP 1000 nF, +80-20 %, 10 V, Y5 V, TP, 1608
1	2203-005065	C811	C-CERAMIC, CHIP 1000 nF, +80-20 %, 10 V, Y5 V, TP, 1608
1	2203-005065	C818	C-CERAMIC, CHIP 1000 nF, +80-20 %, 10 V, Y5 V, TP, 1608
1	2203-005065	C821	C-CERAMIC, CHIP 1000 nF, +80-20 %, 10 V, Y5 V, TP, 1608
1	2203-005065	C903	C-CERAMIC, CHIP 1000 nF, +80-20 %, 10 V, Y5 V, TP, 1608
1	2203-005065	C917	C-CERAMIC, CHIP 1000 nF, +80-20 %, 10 V, Y5 V, TP, 1608
1	2203-005158	C114	C-CERAMIC, CHIP 0.0022 nF, 0.25 pF, 50 V, NP0, TP, 1005
1	2203-005158	C303	C-CERAMIC, CHIP 0.0022 nF, 0.25 pF, 50 V, NP0, TP, 1005
1	2203-005158	C304	C-CERAMIC, CHIP 0.0022 nF, 0.25 pF, 50 V, NP0, TP, 1005
1	2203-005158	C332	C-CERAMIC, CHIP 0.0022 nF, 0.25 pF, 50 V, NP0, TP, 1005
1	2203-005158	C337	C-CERAMIC, CHIP 0.0022 nF, 0.25 pF, 50 V, NP0, TP, 1005
1	2203-005382	C117	C-CERAMIC, CHIP 0.006 nF, 0.1 pF, 50 V, NP0, TP, 1005
1	2203-005383	C144	C-CERAMIC, CHIP 7 pF, 0.1 pF, 50 V, NPO, TP, 1005, -
1	2203-005509	C101	C-CERAMIC, CHIP 330 nF, +80-20 %, 10 V, Y5 V, TP, 1005
1	2203-005509	C105	C-CERAMIC, CHIP 330 nF, +80-20 %, 10 V, Y5 V, TP, 1005
1	2203-005509	C130	C-CERAMIC, CHIP 330 nF, +80-20 %, 10 V, Y5 V, TP, 1005
1	2203-005509	C202	C-CERAMIC, CHIP 330 nF, +80-20 %, 10 V, Y5 V, TP, 1005
1	2203-005509	C204	C-CERAMIC, CHIP 330 nF, +80-20 %, 10 V, Y5 V, TP, 1005
1	2203-005509	C205	C-CERAMIC, CHIP 330 nF, +80-20 %, 10 V, Y5 V, TP, 1005
1	2203-005509	C207	C-CERAMIC, CHIP 330 nF, +80-20 %, 10 V, Y5 V, TP, 1005
1	2203-005509	C209	C-CERAMIC, CHIP 330 nF, +80-20 %, 10 V, Y5 V, TP, 1005
1	2203-005509	C408	C-CERAMIC, CHIP 330 nF, +80-20 %, 10 V, Y5 V, TP, 1005
1	2203-005509	C412	C-CERAMIC, CHIP 330 nF, +80-20 %, 10 V, Y5 V, TP, 1005
1	2203-005509	C912	C-CERAMIC, CHIP 330 nF, +80-20 %, 10 V, Y5 V, TP, 1005
1	2203-005509	C913	C-CERAMIC, CHIP 330 nF, +80-20 %, 10 V, Y5 V, TP, 1005
1	2203-005509	C916	C-CERAMIC, CHIP 330 nF, +80-20 %, 10 V, Y5 V, TP, 1005
1	2203-005562	C427	C-CERAMIC, CHIP 10000 nF, +80-20 %, 10 V, Y5 V, TP, 3216
1	2203-005562	C618	C-CERAMIC, CHIP 10000 nF, +80-20 %, 10 V, Y5 V, TP, 3216
1	2203-005562	C736	C-CERAMIC, CHIP 10000 nF, +80-20 %, 10 V, Y5 V, TP, 3216
1	2203-005682	C415	C-CERAMIC, CHIP 0.033 nF, 5 %, 25 V, NP0, TP, 0603
1	2203-005682	C423	C-CERAMIC, CHIP 0.033 nF, 5 %, 25 V, NP0, TP, 0603
1	2203-005682	C428	C-CERAMIC, CHIP 0.033 nF, 5 %, 25 V, NP0, TP, 0603
1	2203-005708	C1116	C-CERAMIC, CHIP 100 nF, 10 %, 100 V, Y5P, TP, 3225
1	2301-001197	C310, C342	C-FILM, CHIP 390 pF, 5 %, 16 V, TP, 2 x 1.25 x 0.8, -

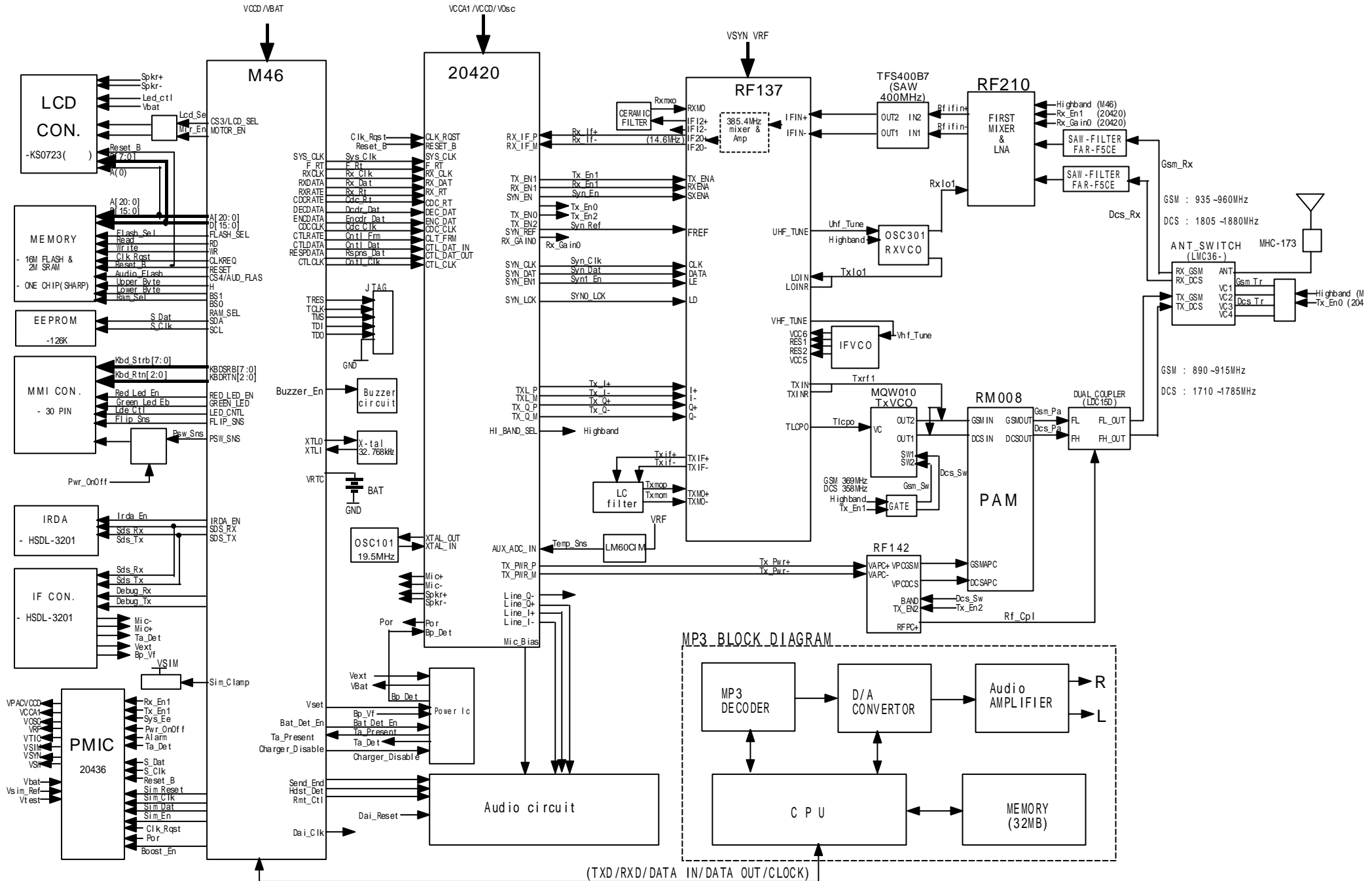
Level	SEC CODE	Design LOC	DESCRIPTIONS
1	2301-001230	C315	C-FILM, CHIP 10 nF, 5 %, 16 V, TP, 2012, -
1	2301-001230	C346	C-FILM, CHIP 10 nF, 5 %, 16 V, TP, 2012, -
1	2404-001088	C334	C-TA, CHIP 2.2 uF, 20 %, 6.3 V, GP, TP, 2012, -
1	2404-001088	C339	C-TA, CHIP 2.2 uF, 20 %, 6.3 V, GP, TP, 2012, -
1	2404-001099	C338	C-TA, CHIP 68 uF, 20 %, 6.3 V, GP, TP, 4035, -
1	2404-001100	C111	C-TA, CHIP 33 uF, 20 %, 6.3 V, GP, TP, 3719, -
1	2404-001100	C131	C-TA, CHIP 33 uF, 20 %, 6.3 V, GP, TP, 3719, -
1	2404-001100	C407	C-TA, CHIP 33 uF, 20 %, 6.3 V, GP, TP, 3719, -
1	2404-001100	C414	C-TA, CHIP 33 uF, 20 %, 6.3 V, GP, TP, 3719, -
1	2404-001100	C805	C-TA, CHIP 33 uF, 20 %, 6.3 V, GP, TP, 3719, -
1	2404-001100	C806	C-TA, CHIP 33 uF, 20 %, 6.3 V, GP, TP, 3719, -
1	2404-001105	C102	C-TA, CHIP 10 uF, 20 %, 6.3 V, GP, TP, 2012
1	2404-001105	C319	C-TA, CHIP 10 uF, 20 %, 6.3 V, GP, TP, 2012
1	2404-001105	C511	C-TA, CHIP 10 uF, 20 %, 6.3 V, GP, TP, 2012
1	2404-001105	C620, C621	C-TA, CHIP 10 uF, 20 %, 6.3 V, GP, TP, 2012
1	2404-001134	C424	C-TA, CHIP 100 uF, 20 %, 6.3 V, LZ, TP, 4028
1	2404-001134	C425	C-TA, CHIP 100 uF, 20 %, 6.3 V, LZ, TP, 4028
1	2404-001134	C426	C-TA, CHIP 100 uF, 20 %, 6.3 V, LZ, TP, 4028
1	2404-001134	C741	C-TA, CHIP 100 uF, 20 %, 6.3 V, LZ, TP, 4028
1	2404-001134	C822	C-TA, CHIP 100 uF, 20 %, 6.3 V, LZ, TP, 4028
1	2404-001134	C823	C-TA, CHIP 100 uF, 20 %, 6.3 V, LZ, TP, 4028
1	2703-000217	L1102	INDUCTOR-SMD 470uH, 10 %, 2.5 x 3.2 x 2 mm
1	2703-000310	L101	INDUCTOR-SMD 1.8uH, 10 %, 0.8 x 1.6 x 0.8 mm
1	2703-001178	L512	INDUCTOR-SMD 3.3 nH, 0.3 nH, 1 x 0.5 x 0.5 mm
1	2703-001180	L1101	INDUCTOR-SMD 15 nH, 5 %, 1 x 0.5 x 0.5 mm
1	2703-001206	L509	INDUCTOR-SMD 4.7 nH, 0.3 nH, 1.6 x 0.8 x 0.8 mm
1	2703-001232	L313	INDUCTOR-SMD 1.5uH, 10 %, 1.6 x 0.8 x 0.8 mm
1	2703-001257	L703	INDUCTOR-SMD 3.9 nH, 0.3 nH, 1.6 x 0.8 x 0.8 mm
1	2703-001297	L316	INDUCTOR-SMD 10 nH, 10 %, 1.6 x 0.8 x 0.8 mm
1	2703-001513	L701	INDUCTOR-SMD 100 nH, 5 %, 1.8 x 1.12 x 1.02 mm
1	2703-001513	L702	INDUCTOR-SMD 100 nH, 5 %, 1.8 x 1.12 x 1.02 mm
1	2703-001543	L303	INDUCTOR-SMD 33 nH, 5 %, 1.8 x 1.12 x 1.02 mm
1	2703-001543	L304	INDUCTOR-SMD 33 nH, 5 %, 1.8 x 1.12 x 1.02 mm
1	2703-001545	L307	INDUCTOR-SMD 47 nH, 5 %, 1.8 x 1.12 x 1.02 mm
1	2703-001547	L314	INDUCTOR-SMD 10 nH, 5 %, 1.8 x 1.12 x 1.02 mm

Level	SEC CODE	Design LOC	DESCRIPTIONS
1	2703-001547	L315	INDUCTOR-SMD 10 nH, 5 %, 1.8 x 1.12 x 1.02 mm
1	2703-001595	L402	INDUCTOR-SMD 47 nH, 5 %, 1.0 x 0.5 x 0.5 mm
1	2703-001600	L308	INDUCTOR-SMD 6.8 nH, 10 %, 1.6 x 0.8 x 0.8 mm
1	2703-001600	L309	INDUCTOR-SMD 6.8 nH, 10 %, 1.6 x 0.8 x 0.8 mm
1	2703-001600	L310	INDUCTOR-SMD 6.8 nH, 10 %, 1.6 x 0.8 x 0.8 mm
1	2703-001600	L311	INDUCTOR-SMD 6.8 nH, 10 %, 1.6 x 0.8 x 0.8 mm
1	2703-001600	L505	INDUCTOR-SMD 6.8 nH, 10 %, 1.6 x 0.8 x 0.8 mm
1	2703-001600	L506	INDUCTOR-SMD 6.8 nH, 10 %, 1.6 x 0.8 x 0.8 mm
1	2703-001685	L503	INDUCTOR-SMD 82 nH, 5 %, 1.7 x 1.14 x 1.02 mm
1	2703-001685	L504	INDUCTOR-SMD 82 nH, 5 %, 1.7 x 1.14 x 1.02 mm
1	2703-001735	L524	INDUCTOR-SMD 3.9 nH, 10 %, 1 x 0.5 x 0.5 mm
1	2703-001853	L601	INDUCTOR-SMD 10 uH, 20 %, 6 x 6 x 1.8 mm
1	2703-001854	L401	INDUCTOR-SMD 22 uH, 20 %, 4.8 x 4.8 x 1.8 mm
1	2801-003747	OSC201	CRYSTAL-SMD .032768 MHz, 30 ppm, 28-ACM, 9 pF, 50 ohm, TP
1	2801-003914	OSC101	CRYSTAL-SMD 19.5 MHz, 10 ppm, 28-ACF, 10.2 pF, 50 ohm, TP
1	2806-001191	OSC301	OSCILLATOR-VCO 1258-1360 MHz, -, 50 ohm, TP, 2.7 V, 20 mA
1	2806-001192	U709	OSCILLATOR-VCO 902.5/1747.5 MHz, -, -, TP, 2.7 V, 50 mA
1	2903-001211	F302	FILTER-CERAMIC BP, 14.6 MHz, 300 KHz, 6 dB, 1 dB, TP, -
1	2904-001096	F502	FILTER-SAW1.8425GHz, 75 MHz, +-37.5 MHz/2.5dB, TP, +-15
1	2904-001124	F501	FILTER-SAW947.5 MHz, 25 MHz, +-12.5 MHz/1.4dB, TP, +-12.5
1	2904-001165	F301	FILTER-SAW400 MHz, .28 MHz, +-70 kHz, TP, 6.5 dB, -
1	2909-001084	U704	FILTER-DUPLEXER 942.5 MHz, 897.5 MHz, 1/1.2 dB, TP, -, -
1	3002-001095	AU801	BUZZER-MAGNETIC 93dB, 3.6 V, 90 mA, 2550Hz, TP
1	3301-001105	B301	CORE-FERRITE AB, 1.6 x 0.8 x 0.8 mm, -, -
1	3301-001105	B701	CORE-FERRITE AB, 1.6 x 0.8 x 0.8 mm, -, -
1	3301-001208	B601	CORE-FERRITE BEAD AB, 1.6 x 0.8 x 0.8 mm, -, -
1	3301-001208	B602	CORE-FERRITE BEAD AB, 1.6 x 0.8 x 0.8 mm, -, -
1	3709-001144	CN401	CONNECTOR-CARD EDGE 6P, 2.54 mm, SMD-S, AU30U
1	3710-001596	CN1001	CONNECTOR-SOCKET 40P, 2R, 0.5 mm, SMD-S, AUF
1	3710-001600	CN1101	CONNECTOR-SOCKET 18P, 1R, 0.5 mm, SMD-A, AUF
1	3722-001471	CN801	JACK-PHONE 8P, 2.6PI, -, BLK, -
1	4302-001081	BAT1	BATTERY-LI(2ND) -, .25MAH, COIN, 0.03MA, -, -
1	4709-001144	U705	COUPLER-DIRECTION 897.5/1747.5 MHz, 19 dB/14 dB, 24 dB, 2 x
1	GH07-00035A	U1101	DISPLAY LCD-SGHM100 SGH-M100, UG12B50-FGHTX-A,
1	GH39-00054A	SEMI-RIGID	CBF SIGNAL-SGHM100 SEMI-RIGID SGH-M100, SEMI-RIGID
1	GH41-00105A		PCB-SGHM100 MAIN SGH-M100, FR-4, 3L, -, 0.7T, 118 x
1	GH72-01131A		PMO-LCD BRACKET SGH-M100, ABS, -, -, -
1	GH73-00337A		RMO-BUZZER HOLDER SGH-M100, CR, -, BLK, 60

SGH-M100 MP3 Electrical Parts List

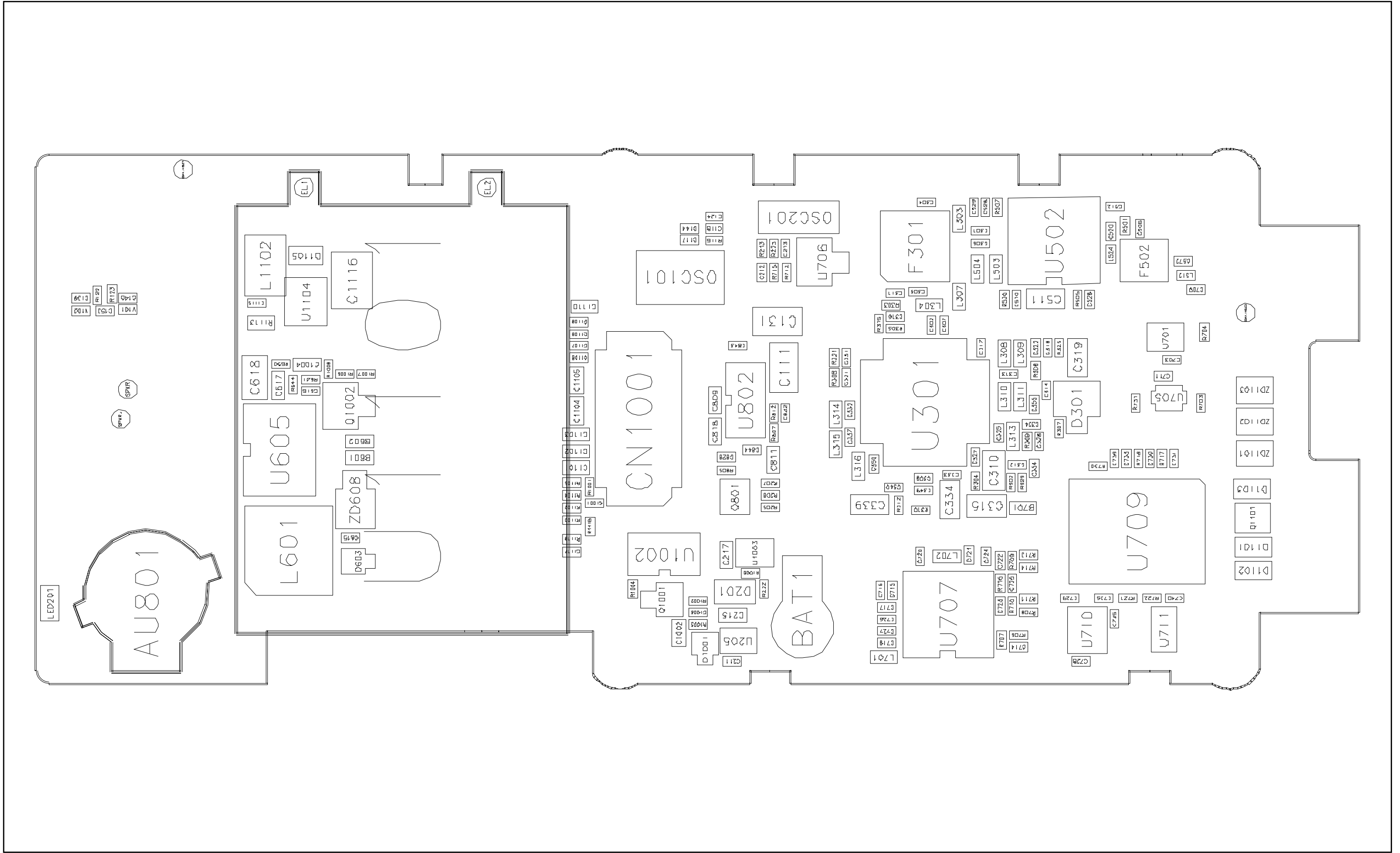
Level	SEC CODE	Design LOC	DESCRIPTIONS
0	GH92-00850A		
1	0401-000160	D1	DIODE-SWITCHING ISS314, 30 V, 100 mA, USC, TP
1	0401-000160	D2	DIODE-SWITCHING ISS314, 30 V, 100 mA, USC, TP
1	0401-000160	D3	DIODE-SWITCHING ISS314, 30 V, 100 mA, USC, TP
1	0406-001084	U9	DIODE-TVS SMF05, 6/-/ V, 200 W, -
1	0501-000462	Q1	TR-SMALL SIGNAL MMBT2907A, PNP, 225m W, SOT-23, TP,
1	0601-001343	LD1, LD2, LD3, LD4	LED CHIP, Y-GRN, 1.1 x 0.8 mm, 570NM
1	0601-001343	LD5, LD6, LD7, LD8	LED CHIP, Y-GRN, 1.1 x 0.8 mm, 570NM
1	1001-001088	U10	IC-ANALOG SWITCH MAX4544EUT-T, -, SOT-23, 6P, -, SINGLE, 13
1	1002-000174	U2	IC-D/A CONVERTER CS4331-KS, 18BIT, SOP, 8P, -, -, ST,
1	1009-001006	U8	IC-HALL EFFECT S/W A3210ELH, SC-74A, 3P, -, TP, -, -, 5 V,
1	1107-001183	U3	IC-FLASH MEMORY 29DU256, 32K x 8BIT, TSOP1, 48P, 724MIL,
1	1201-001465	U1	IC-AUDIO AMP 4881, MSOP, 8P, 118MIL, DUAL, -, PLASTIC, 6
1	1203-000392	U4	IC-RESET 809, SOP, 3P, -, PLASTIC, -0.3/6 V, 4
1	1203-001717	U5	IC-VOLTAGE REGULATOR 5210, MSOP, 8P, 117MIL, PLASTIC,
1	1204-001542	U6	IC-DECODER STA013T, TQFP, 28P, -, PLASTIC, 3.6 V, 125M W, -
1	2007-000138	R45, R46, R47	R-CHIP 100 ohm, 5 %, 1/16 W, DA, TP, 1005
1	2007-000140	R15	R-CHIP 1 kohm, 5 %, 1/16 W, DA, TP, 1005
1	2007-000141	R39	R-CHIP 2.2 kohm, 5 %, 1/16 W, DA, TP, 1005
1	2007-000141	R6	R-CHIP 2.2 kohm, 5 %, 1/16 W, DA, TP, 1005
1	2007-000141	R7	R-CHIP 2.2 kohm, 5 %, 1/16 W, DA, TP, 1005
1	2007-000148	R25, R36, R41, R42	R-CHIP 10 kohm, 5 %, 1/16 W, DA, TP, 1005
1	2007-000152	R27	R-CHIP 20 kohm, 5 %, 1/16 W, DA, TP, 1005
1	2007-000153	R8, R9	R-CHIP 22 kohm, 5 %, 1/16 W, DA, TP, 1005
1	2007-000157	R37, R38	R-CHIP 47 kohm, 5 %, 1/16 W, DA, TP, 1005
1	2007-000159	R4, R5	R-CHIP 56 kohm, 5 %, 1/16 W, DA, TP, 1005
1	2007-000162	R1, R2, R10, R11	R-CHIP 100 kohm, 5 %, 1/16 W, DA, TP, 1005
1	2007-000162	R12, R13, R19, R20	R-CHIP 100 kohm, 5 %, 1/16 W, DA, TP, 1005
1	2007-000162	R21, R22, R23, R24	R-CHIP 100 kohm, 5 %, 1/16 W, DA, TP, 1005
1	2007-000162	R26, R28, R29, R32	R-CHIP 100 kohm, 5 %, 1/16 W, DA, TP, 1005
1	2007-000162	R33, R50	R-CHIP 100 kohm, 5 %, 1/16 W, DA, TP, 1005
1	2007-000162	R34, R35	R-CHIP 100 kohm, 5 %, 1/16 W, DA, TP, 1005
1	2007-000162	R44, R48	R-CHIP 100 kohm, 5 %, 1/16 W, DA, TP, 1005
1	2007-000170	R3, R17	R-CHIP 1 Mohm, 5 %, 1/16 W, DA, TP, 1005

Level	SEC CODE	Design LOC	DESCRIPTIONS
1	2007-000172	R14, R16	R-CHIP 10 ohm, 5 %, 1/16 W, DA, TP, 1005
1	2007-001325	R30, R31	R-CHIP 3.3 kohm, 5 %, 1/16 W, DA, TP, 1005
1	2007-002970	R49	R-CHIP 56 ohm, 5 %, 1/16 W, DA, TP, 1005
1	2007-007771	R18, C36	R-CHIP 0 ohm, 5 %, 1/16 W, DA, TP, 1005
1	2203-000233	C37, C38	C-CERAMIC, CHIP 0.1 nF, 5 %, 50 V, NP0, TP, 1005
1	2203-000233	C8	C-CERAMIC, CHIP 0.1 nF, 5 %, 50 V, NP0, TP, 1005
1	2203-000438	C12, C13, C23	C-CERAMIC, CHIP 1 nF, 10 %, 50 V, X7R, TP, 1005, -
1	2203-000438	C50	C-CERAMIC, CHIP 1 nF, 10 %, 50 V, X7R, TP, 1005, -
1	2203-000489	C42, C43	C-CERAMIC, CHIP 2.2 nF, 10 %, 50 V, X7R, TP, 1005, -
1	2203-000812	C49	C-CERAMIC, CHIP 0.033 nF, 5 %, 50 V, NP0, TP, 1005
1	2203-000885	C25	C-CERAMIC, CHIP 4.7 nF, 10 %, 25 V, X7R, TP, 1005, -
1	2203-000940	C19, C24	C-CERAMIC, CHIP 470 pF, 10 %, 50 V, X7R, TP, 1005, -
1	2203-000995	C26, C27	C-CERAMIC, CHIP 0.047 nF, 5 %, 50 V, NP0, TP, 1005
1	2203-000995	C9	C-CERAMIC, CHIP 0.047 nF, 5 %, 50 V, NP0, TP, 1005
1	2203-002443	C15	C-CERAMIC, CHIP 0.33 nF, 10 %, 50 V, X7R, TP, 1005
1	2203-005061	C1, C2, C5, C6	C-CERAMIC, CHIP 100 nF, +80-20 %, 16 V, Y5 V, TP, 1005
1	2203-005061	C22, C28, C30, C31, C34	C-CERAMIC, CHIP 100 nF, +80-20 %, 16 V, Y5 V, TP, 1005
1	2203-005061	C35, C44, C47	C-CERAMIC, CHIP 100 nF, +80-20 %, 16 V, Y5 V, TP, 1005
1	2203-005061	C7, C10, C11, C20, C21	C-CERAMIC, CHIP 100 nF, +80-20 %, 16 V, Y5 V, TP, 1005
1	2404-001088	C14	C-TA, CHIP 2.2 uF, 20 %, 6.3 V, GP, TP, 2012, -
1	2404-001101	C39	C-TA, CHIP 1 uF, 20 %, 16 V, GP, TP, 2012, -
1	2404-001101	C40, C41	C-TA, CHIP 1 uF, 20 %, 16 V, GP, TP, 2012, -
1	2404-001105	C18, C29, C45	C-TA, CHIP 10 uF, 20 %, 6.3 V, GP, TP, 2012
1	2404-001105	C3, C4, C16, C17	C-TA, CHIP 10 uF, 20 %, 6.3 V, GP, TP, 2012
1	2703-000125	L1	INDUCTOR-SMD 10uH, 10 %, 1.25 x 2 x 1.25 mm
1	2801-003833	X1	CRYSTAL-SMD 14.7456 MHz, 20 ppm, 28-ACF, 20PF, 30 ohm,
1	2801-003899	X2	CRYSTAL-SMD 13.5168 MHz, 20 ppm, 28-ACF, 20 pF, 40 ohm,
1	3711-004509	J1	CONNECTOR-HEADER BOX, 40P, 2R, 0.5 mm, SMD-S, AUF
1	GH09-00001A	U7	IC MICRO COMPUTER-MP3 MICOM SCH-M210,
1	GH41-00106A		PCB-SGHM100 MP3 KEY SGH-M100, FR-4, 3L, -, 0.7T, 118 x
1	GH59-00092A	VOLUME KEY	UNIT-SGHM100VOL KEY ASS'Y SGH-M100, KBSGHM100,
1	GH59-00101A	METAL DOME	UNIT-SGHM100 METAL DOME SGH-M100, SGH-M100, -,

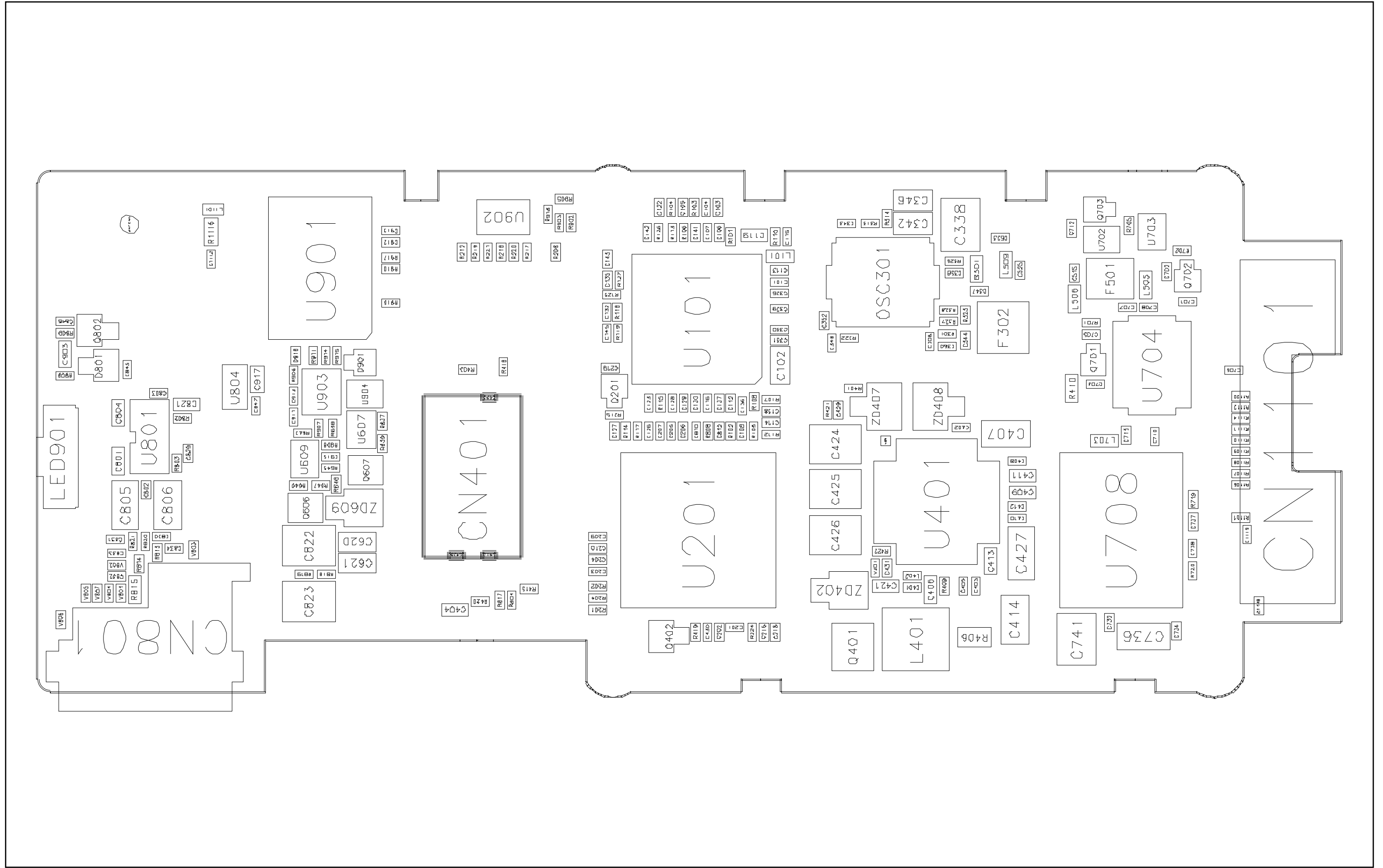


4. PCB Diagrams

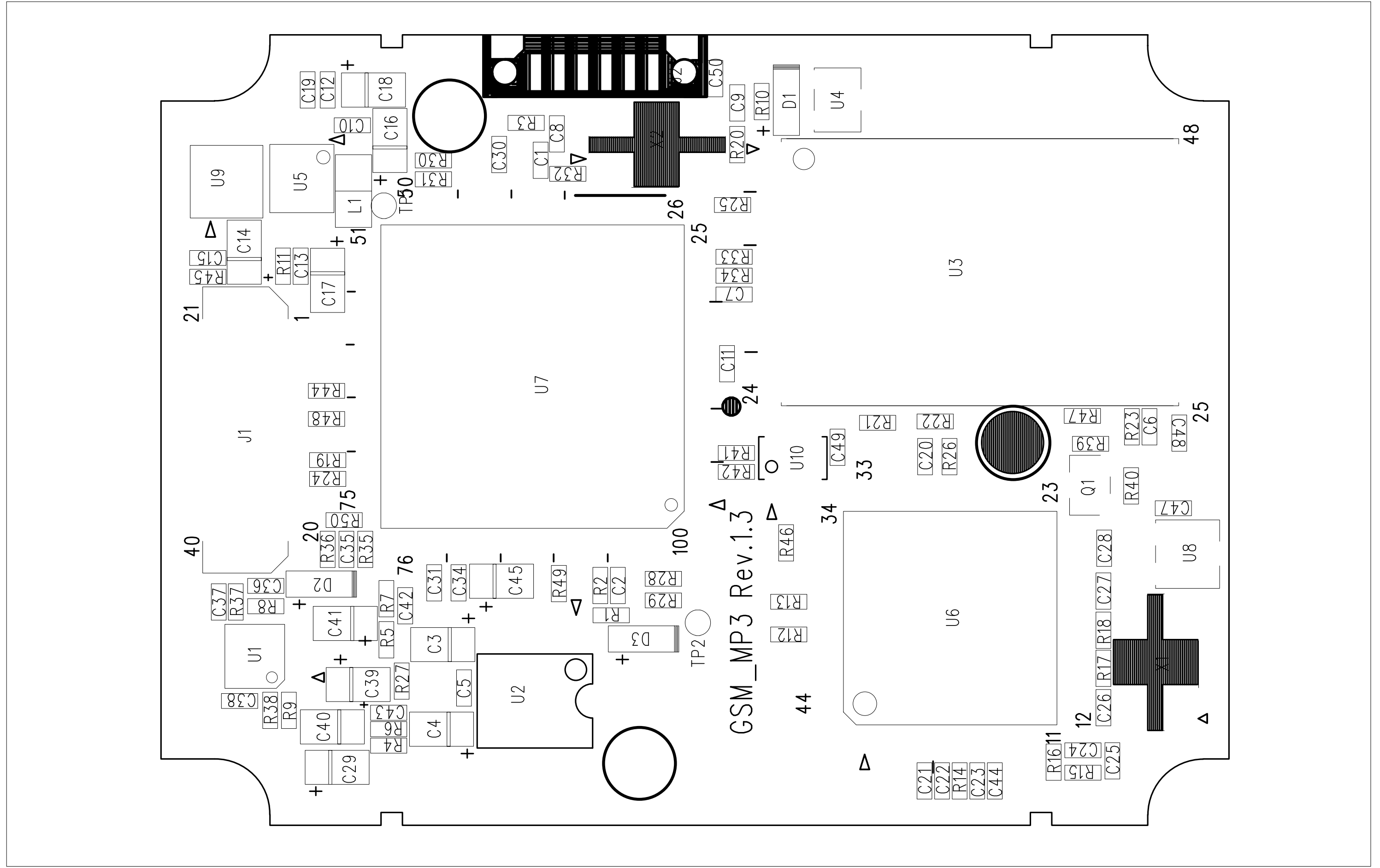
4-1 SGH-M100 Main PCB Top Diagram



4-2 SGH-M100 Main PCB Bottom Diagram

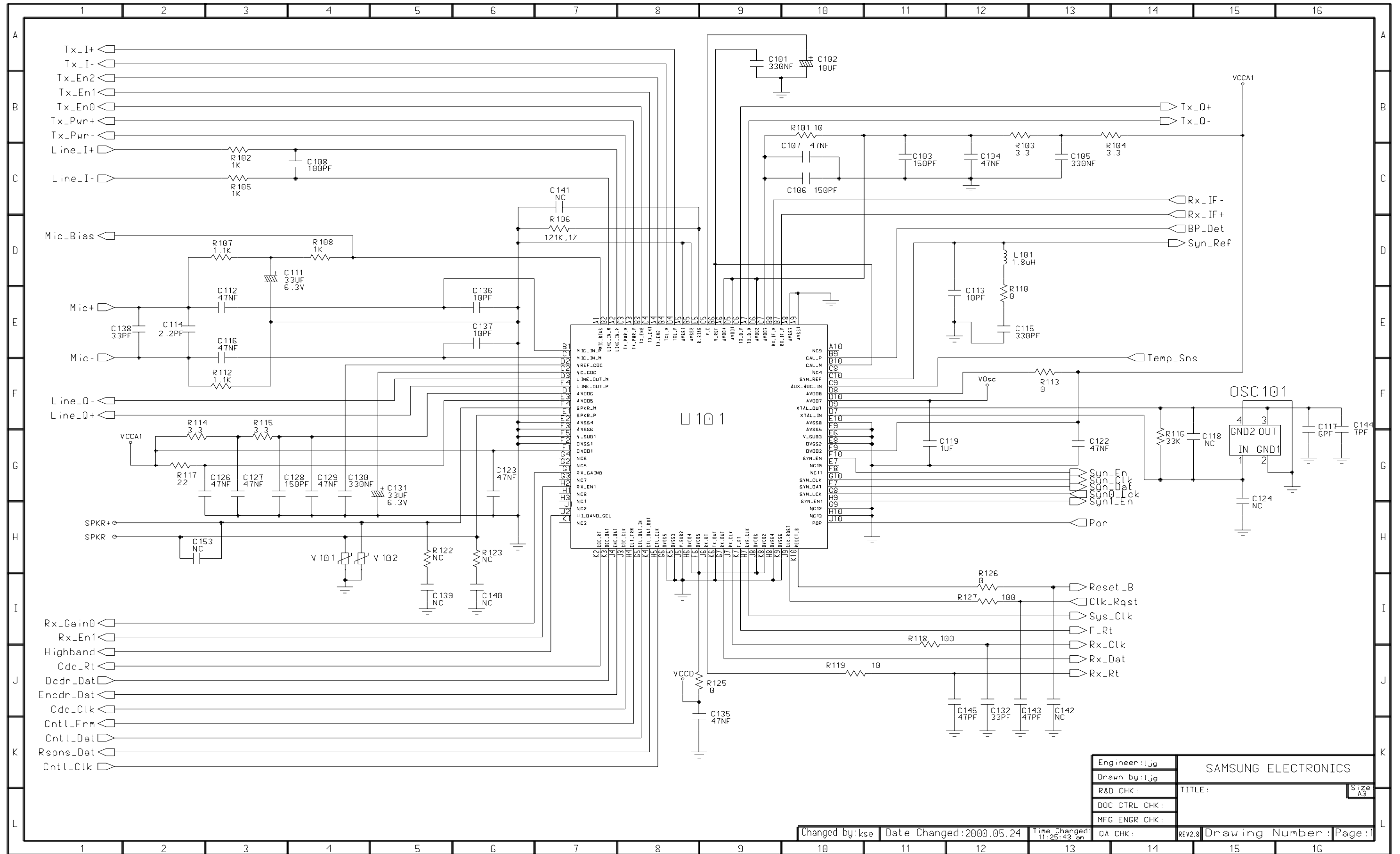


4-3 SGH-M100 MP3 Diagram



5. Circuit Diagrams

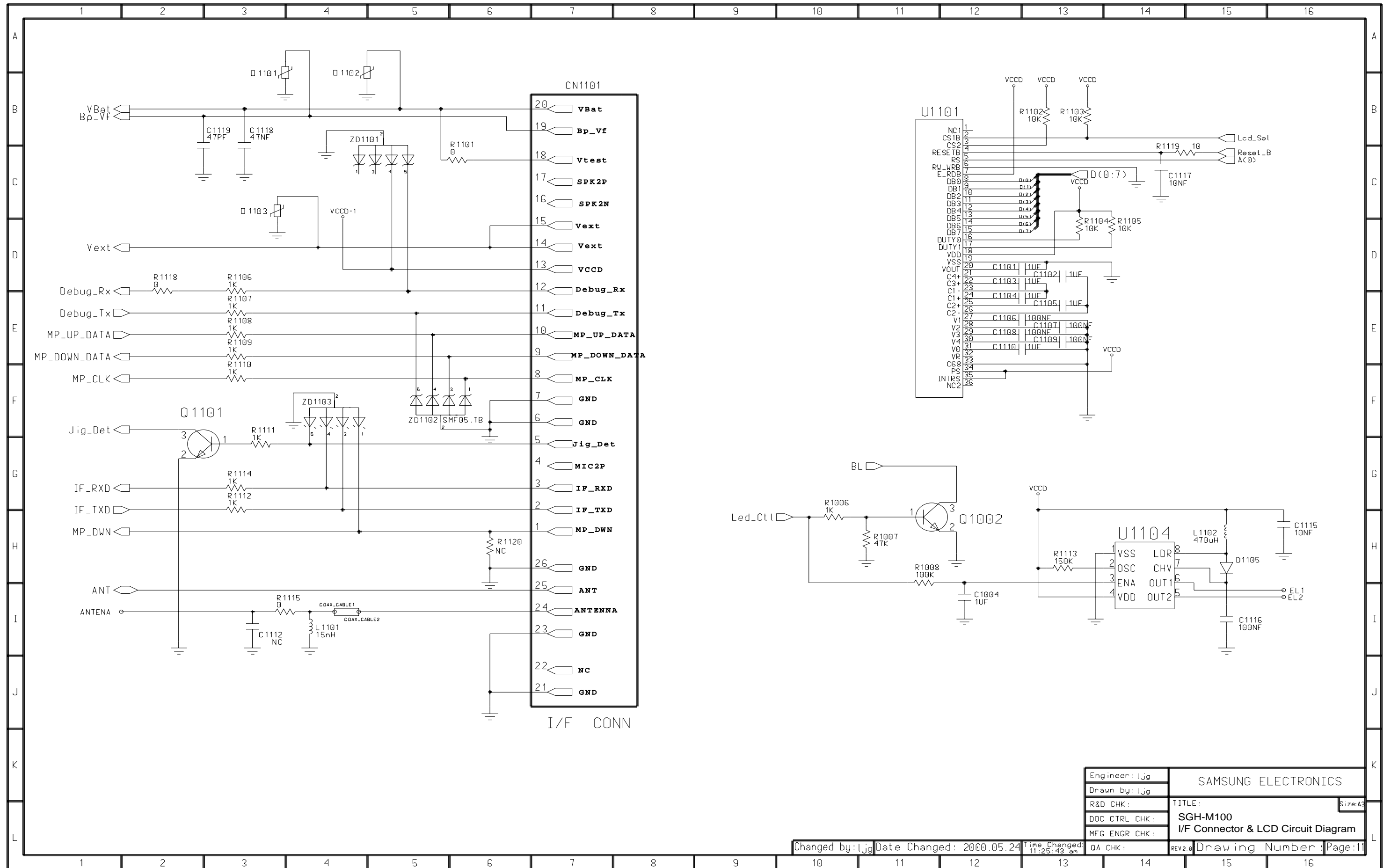
5-1 SGH-M100 Intergrated Analog Circuit Diagram



Engineer: IJg	SAMSUNG ELECTRONICS	
Drawn by: IJg	TITLE:	
R&D CHK:	Size A3	
DOC CTRL CHK:	MFG ENGR CHK:	
QA CHK:	REV2.8	Drawing Number: Page: 1

Changed by: kse Date Changed: 2000.05.24 Time Changed: 11:25:43 am

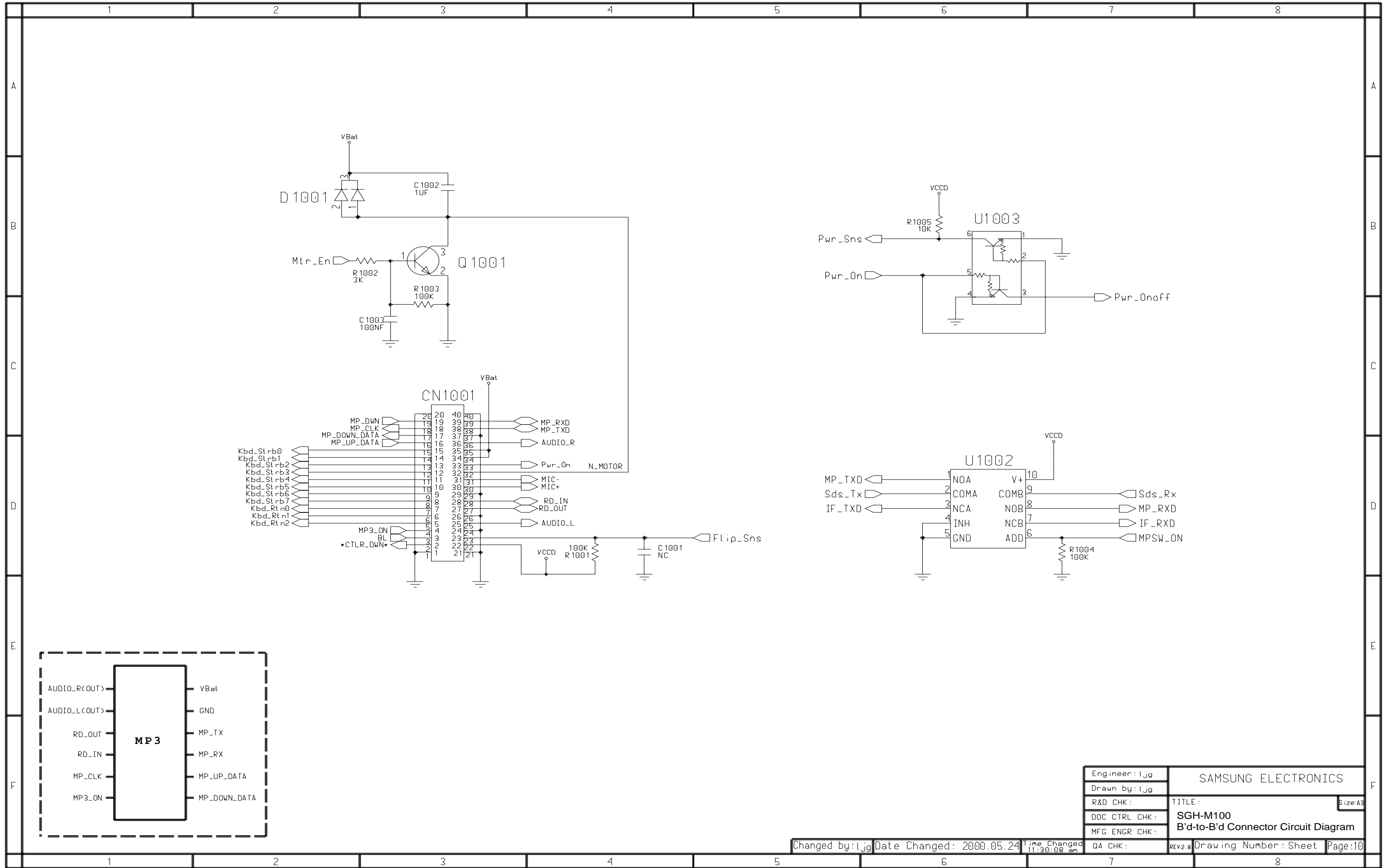
5-2 SGH-M100 I/F Connector & LCD Circuit Diagram



Engineer: l.jg	SAMSUNG ELECTRONICS		Size: A3
Drawn by: l.jg	TITLE:		
R&D CHK:	SGH-M100		
DOC CTRL CHK:	I/F Connector & LCD Circuit Diagram		
MFG ENGR CHK:	REV: 2.8	Drawing Number:	Page: 11

Changed by: l.jg Date Changed: 2000.05.24 Time Changed: 11:25:43 am QA CHK:

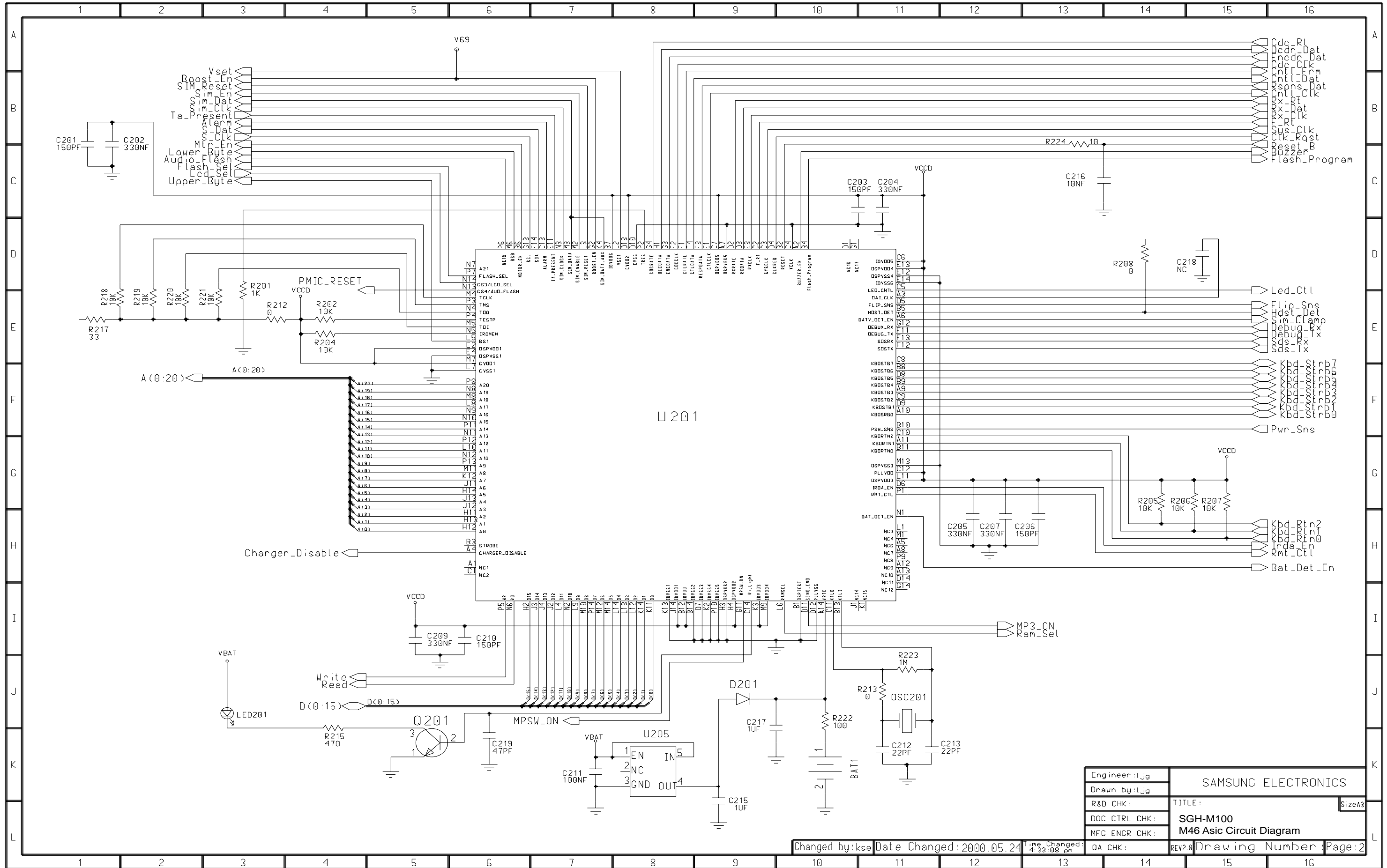
5-3 SGH-M100 B'd-to-B'd Connector Circuit Diagram



Engineer: l.jg	SAMSUNG ELECTRONICS	
Drawn by: l.jg	TITLE:	
R&D CHK:	SGH-M100	Size: A3
DOC CTRL CHK:	B'd-to-B'd Connector Circuit Diagram	
MFG ENGR CHK:	rev2.8	Drawing Number: Sheet
QA CHK:		Page: 10

Changed by: l.jg Date Changed: 2000.05.24 Time Changed: 11:30:08 am

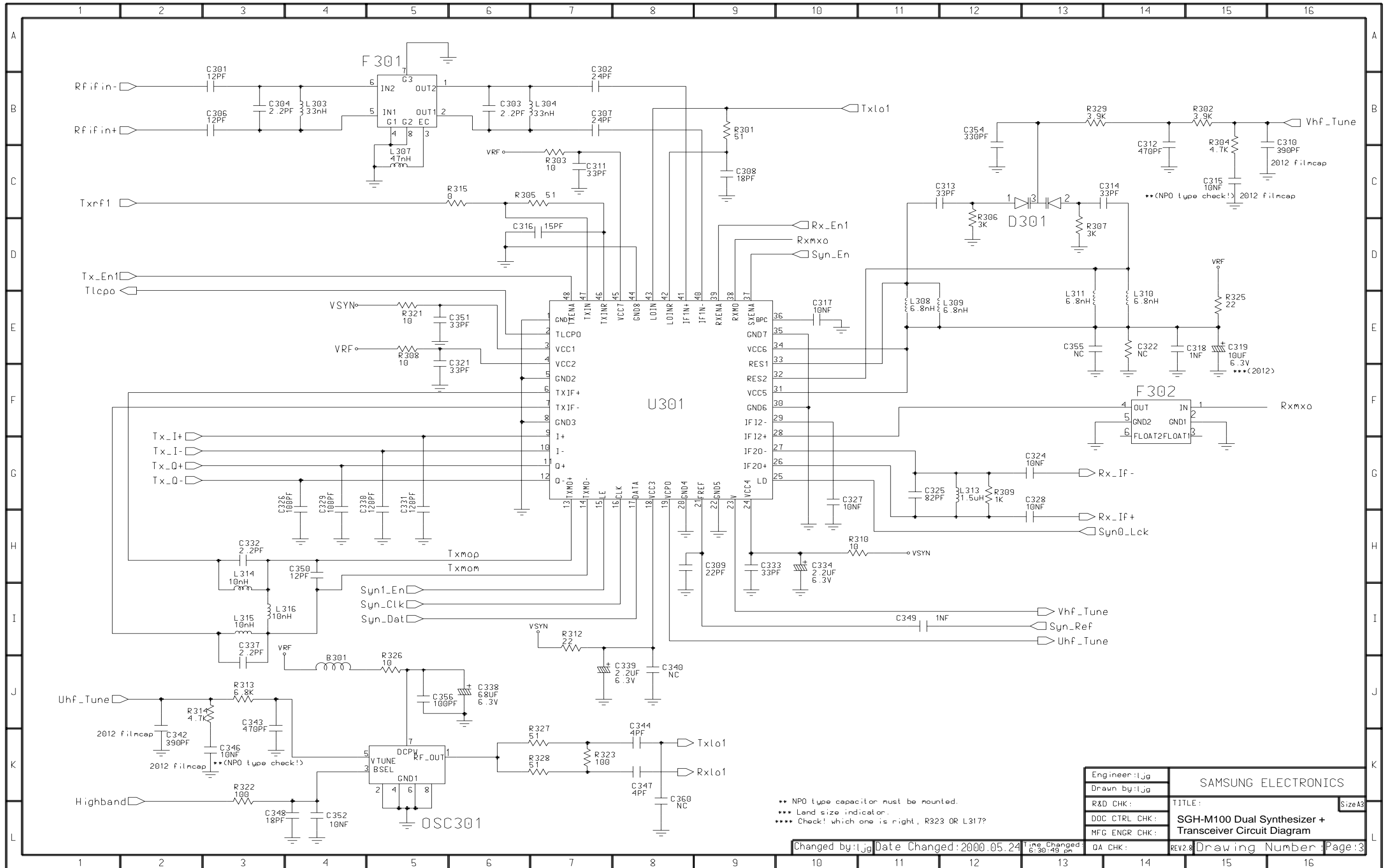
5-4 SGH-M100 M46 Asic Circuit Diagram



Engineer: Ijg	SAMSUNG ELECTRONICS	
Drawn by: Ijg	TITLE:	
R&D CHK:	SGH-M100	Size A3
DOC CTRL CHK:	M46 Asic Circuit Diagram	
MFG ENGR CHK:	REV2.8	Drawing Number
QA CHK:	Page: 2	

Changed by: kse Date Changed: 2000.05.24 Time Changed: 4:33:08 pm

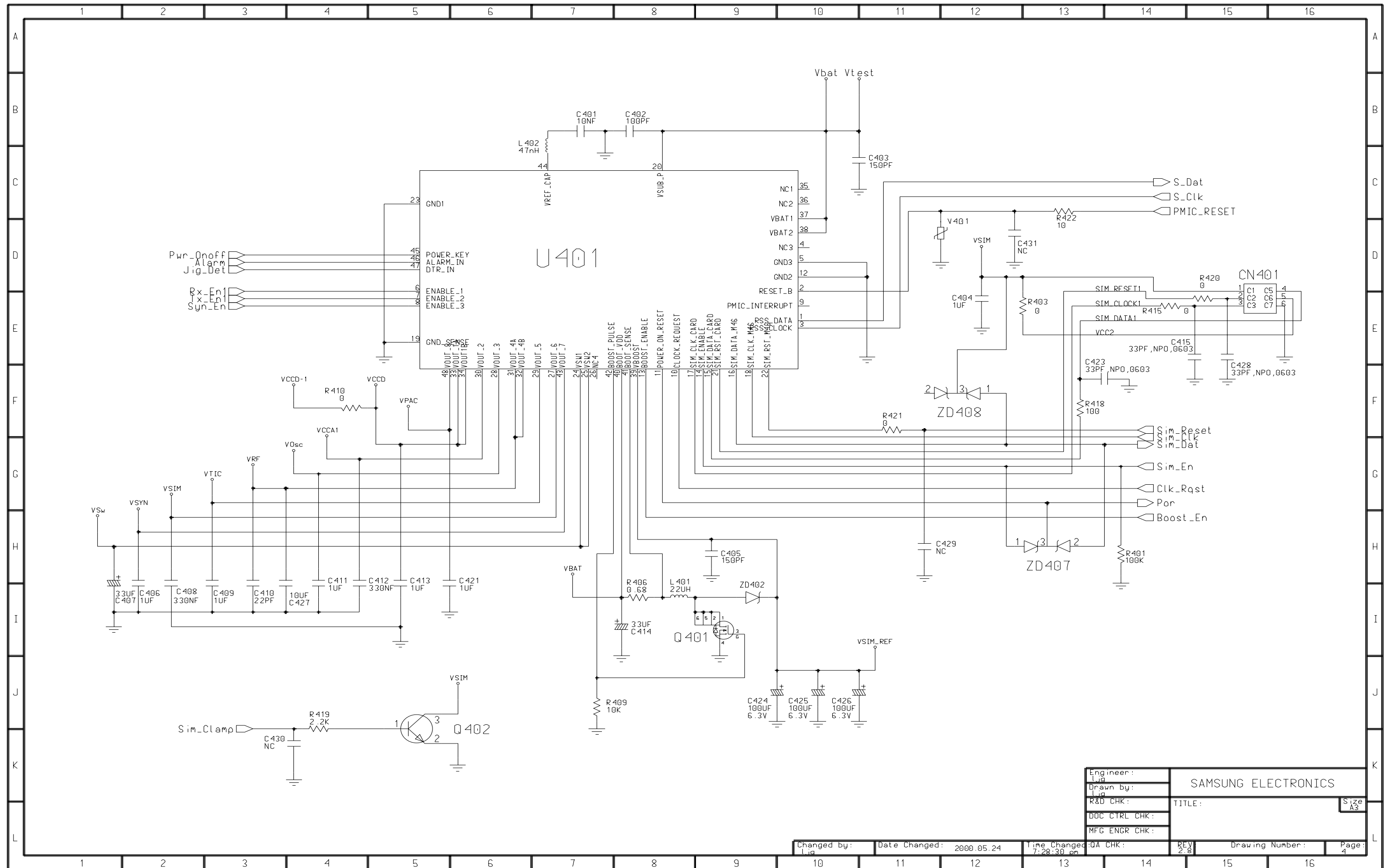
5-5 SGH-M100 Dual Synthesizer + Transceiver Circuit Diagram



Engineer: IJg	SAMSUNG ELECTRONICS	
Drawn by: IJg	Size A3	
R&D CHK:	TITLE:	SGH-M100 Dual Synthesizer + Transceiver Circuit Diagram
DOC CTRL CHK:	MFG ENGR CHK:	REV2.8 Drawing Number Page:3
QA CHK:	REV2.8	Page:3

Changed by: IJg Date Changed: 2000.05.24 Time Changed: 6:30:49 pm

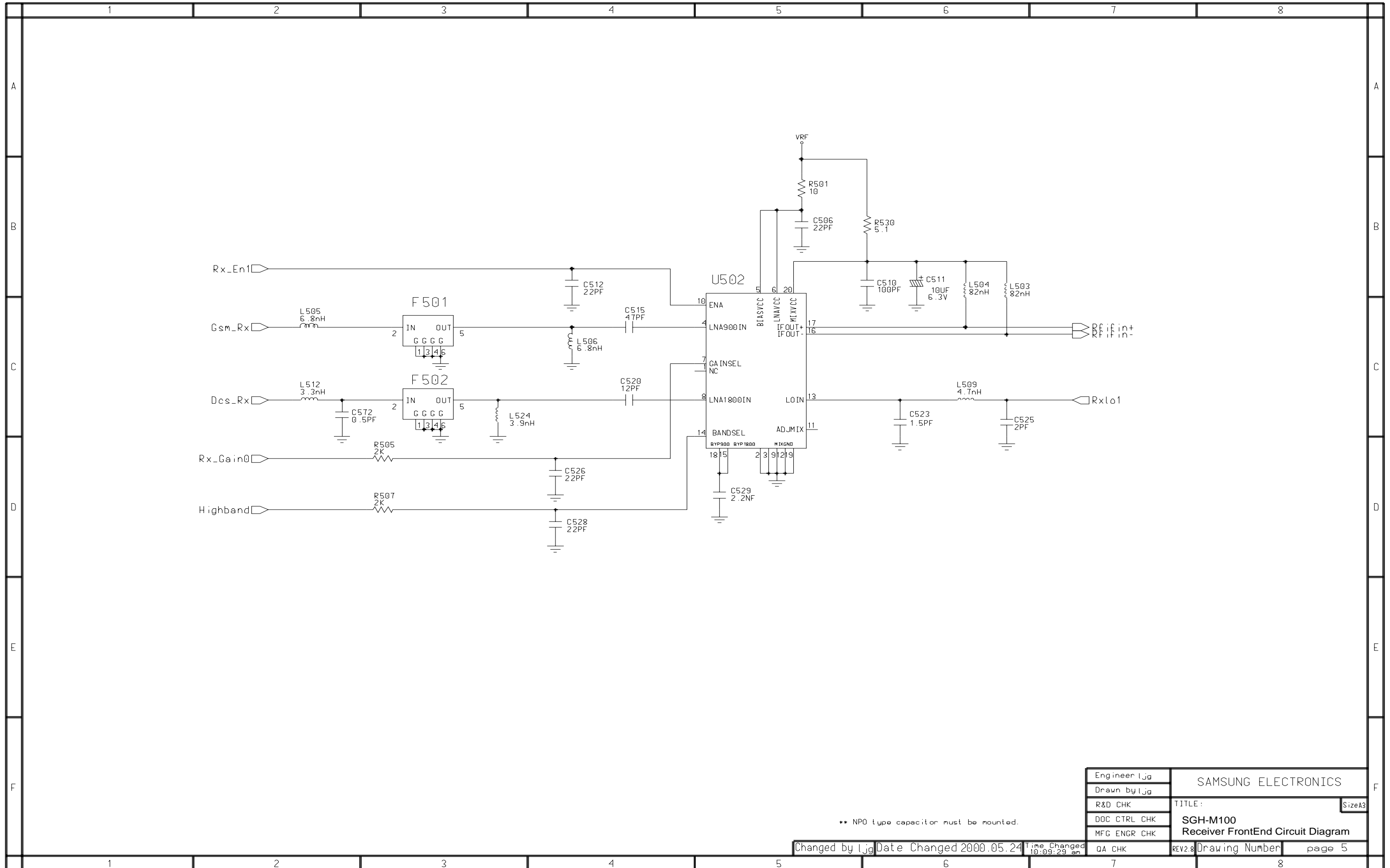
5-6 SGH-M100 Power Management Circuit Diagram



Engineer:	SAMSUNG ELECTRONICS		
Drawn by:			
R&D CHK:	TITLE:	Size A3	
DOC CTRL CHK:			
MFG ENGR CHK:			

Changed by:	Date Changed:	Time Changed:	10A CHK:	REV:	Drawing Number:	Page:
Ljq	2000.05.24	7:28:30 am		2/8		4

5-7 SGH-M100 Receiver FrontEnd Circuit Diagram Circuit Diagram

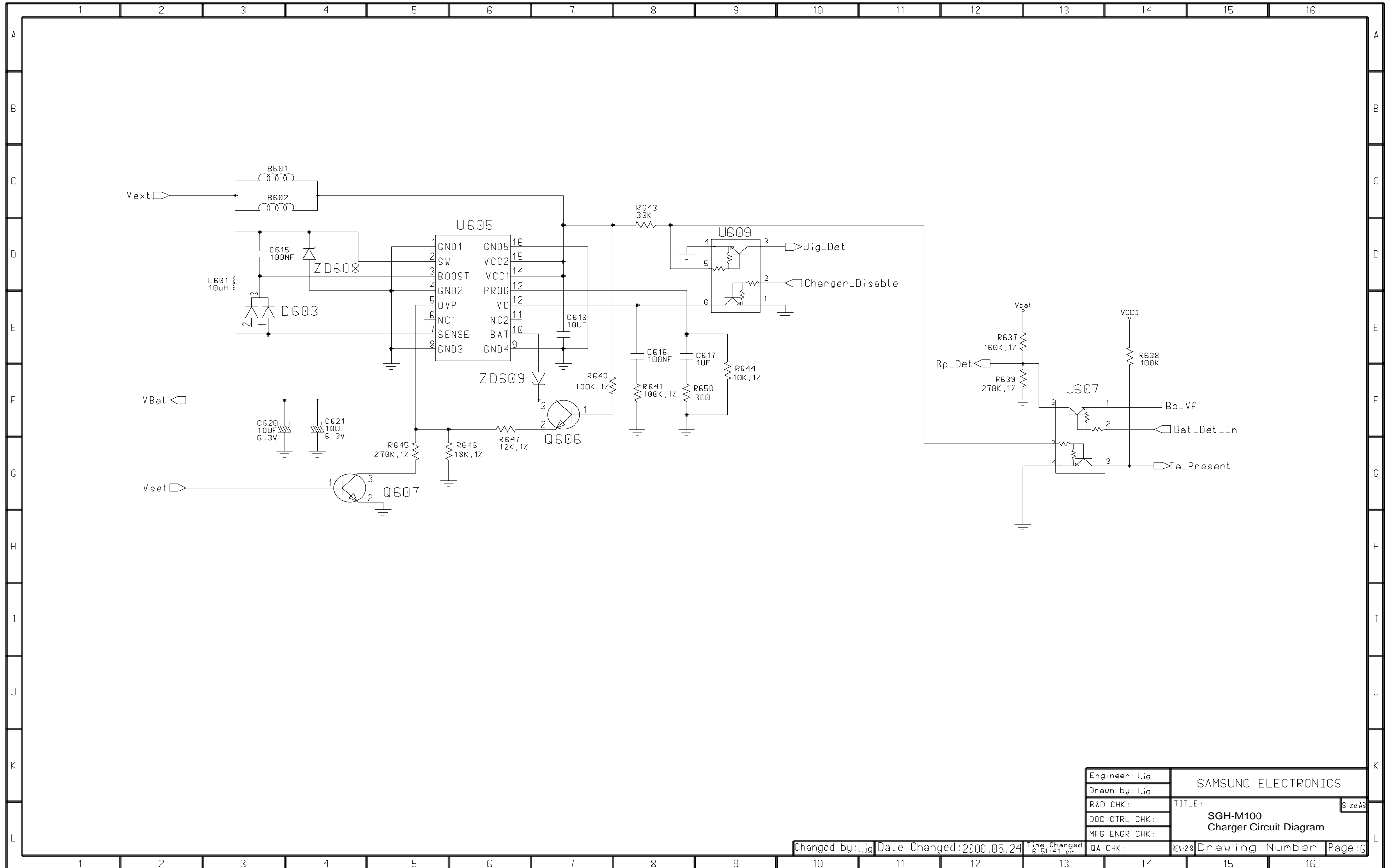


** NPO type capacitor must be mounted.

Changed by ljj Date Changed 2000.05.24 Time Changed 10:09:29 am

Engineer ljj	SAMSUNG ELECTRONICS	
Drawn by ljj	TITLE :	
R&D CHK	SizeA3	
DOC CTRL CHK	SGH-M100	
MFG ENGR CHK	Receiver FrontEnd Circuit Diagram	
QA CHK	REV2.8	Drawing Number page 5

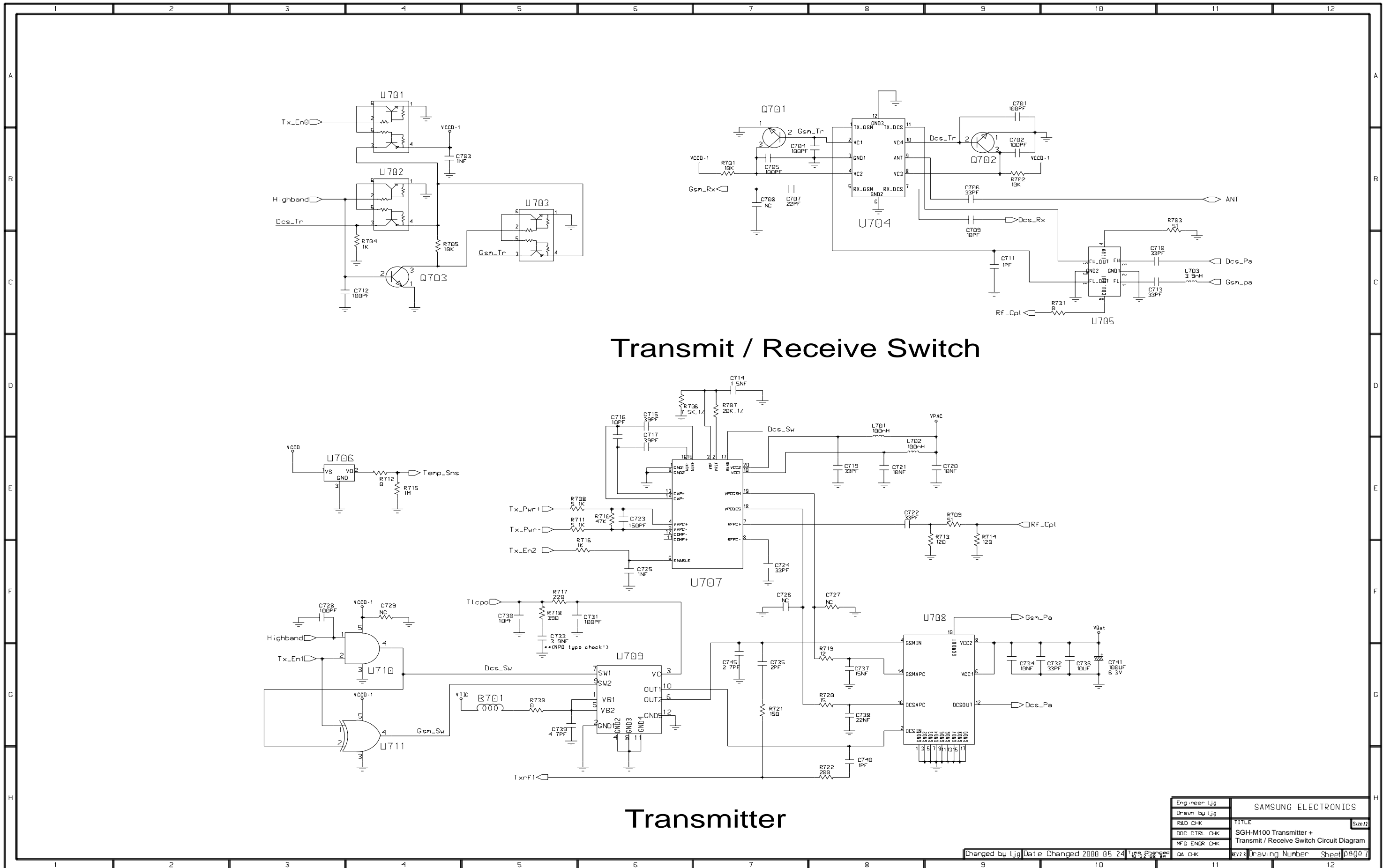
5-8 SGH-M100 Charger Circuit Diagram



Engineer: l.jg	SAMSUNG ELECTRONICS		Size A3
Drawn by: l.jg	TITLE:		
R&D CHK:	SGH-M100		
DOC CTRL CHK:	Charger Circuit Diagram		
MFG ENGR CHK:	REV: 2.8	Drawing Number	Page: 6

Changed by: l.jg Date Changed: 2000.05.24 Time Changed: 6:51:41 pm

5-9 SGH-M100 Transmitter + Transmit / Receive Switch Circuit Diagram



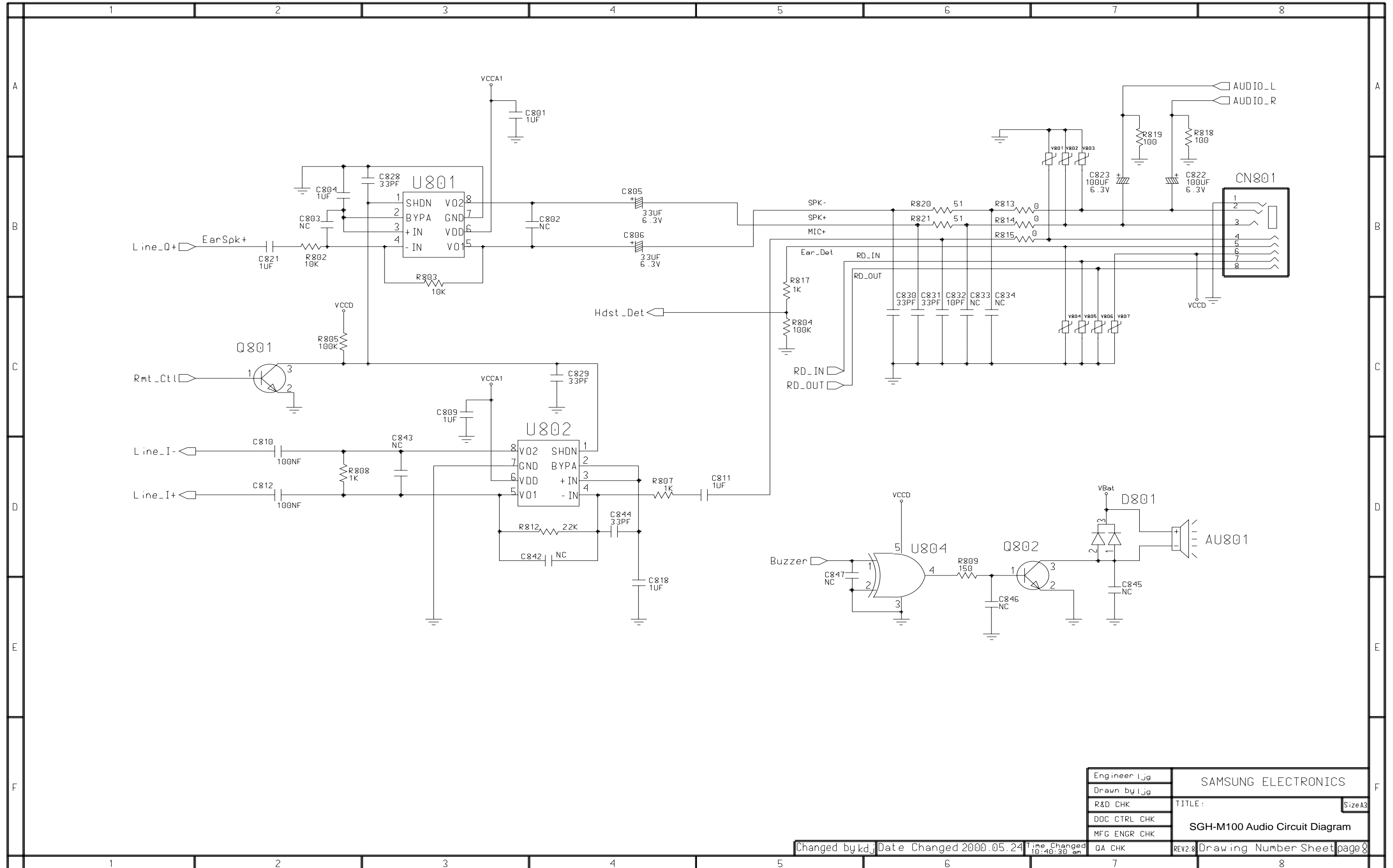
Transmit / Receive Switch

Transmitter

Engineer: ljj	SAMSUNG ELECTRONICS	
Drawn by: ljj	TITLE	Size: A2
R&D CHK	SGH-M100 Transmitter +	
DOC CTRL CHK	Transmit / Receive Switch Circuit Diagram	
MFG ENGR CHK		
QA CHK	Rev: 1	Drawing Number: Sheet: 1/1

Changed by ljj Date Changed 2000 05 24 16:02:08

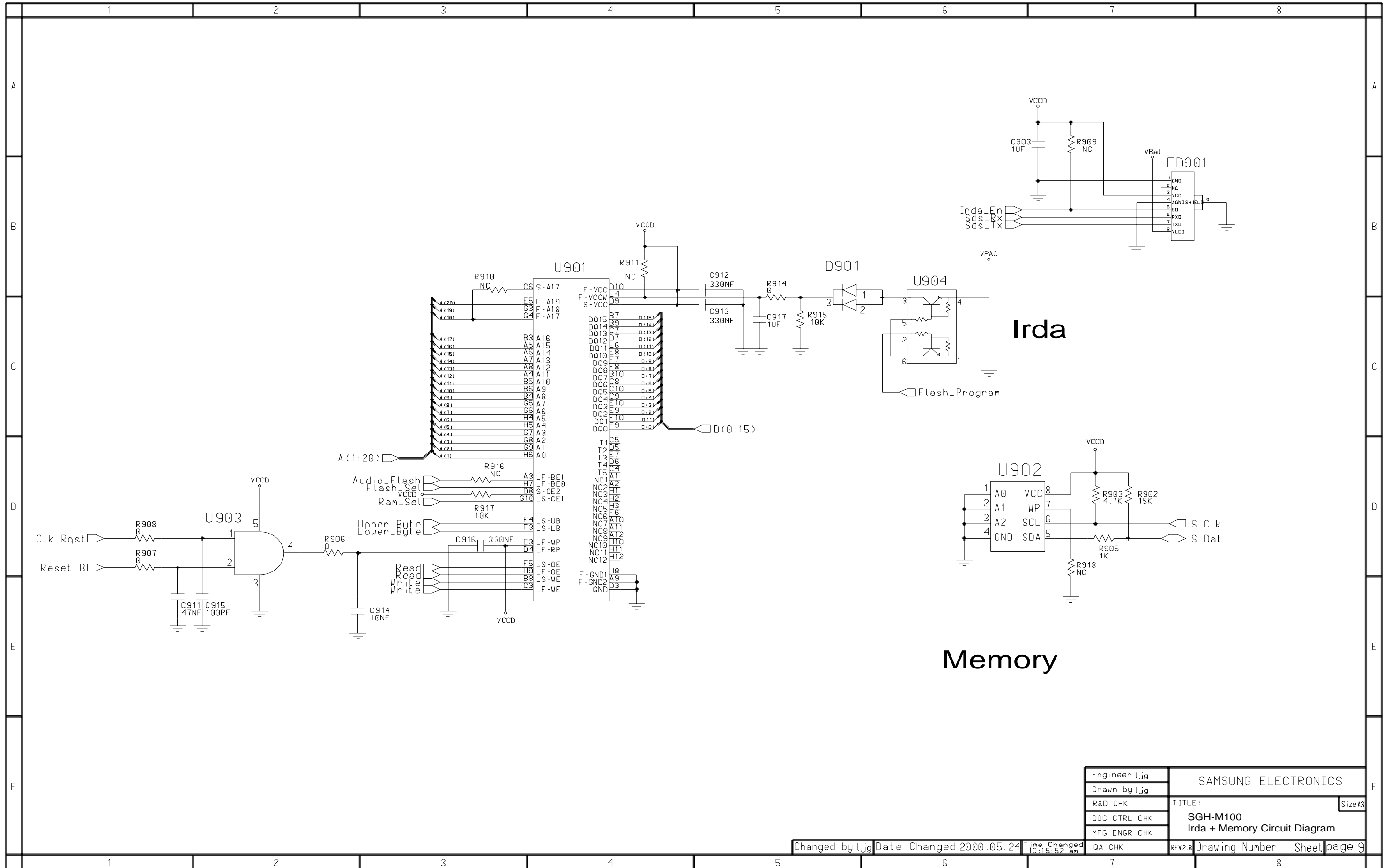
5-10 SGH-M100 Audio Circuit Diagram



Engineer Ijg	SAMSUNG ELECTRONICS	
Drawn by Ijg	TITLE:	
R&D CHK	Size A3	
DOC CTRL CHK	SGH-M100 Audio Circuit Diagram	
MFG ENGR CHK	REV. 2.8 Drawing Number Sheet page 8	

Changed by kdj Date Changed 2000.05.24 Time Changed 10:40:30 am QA CHK

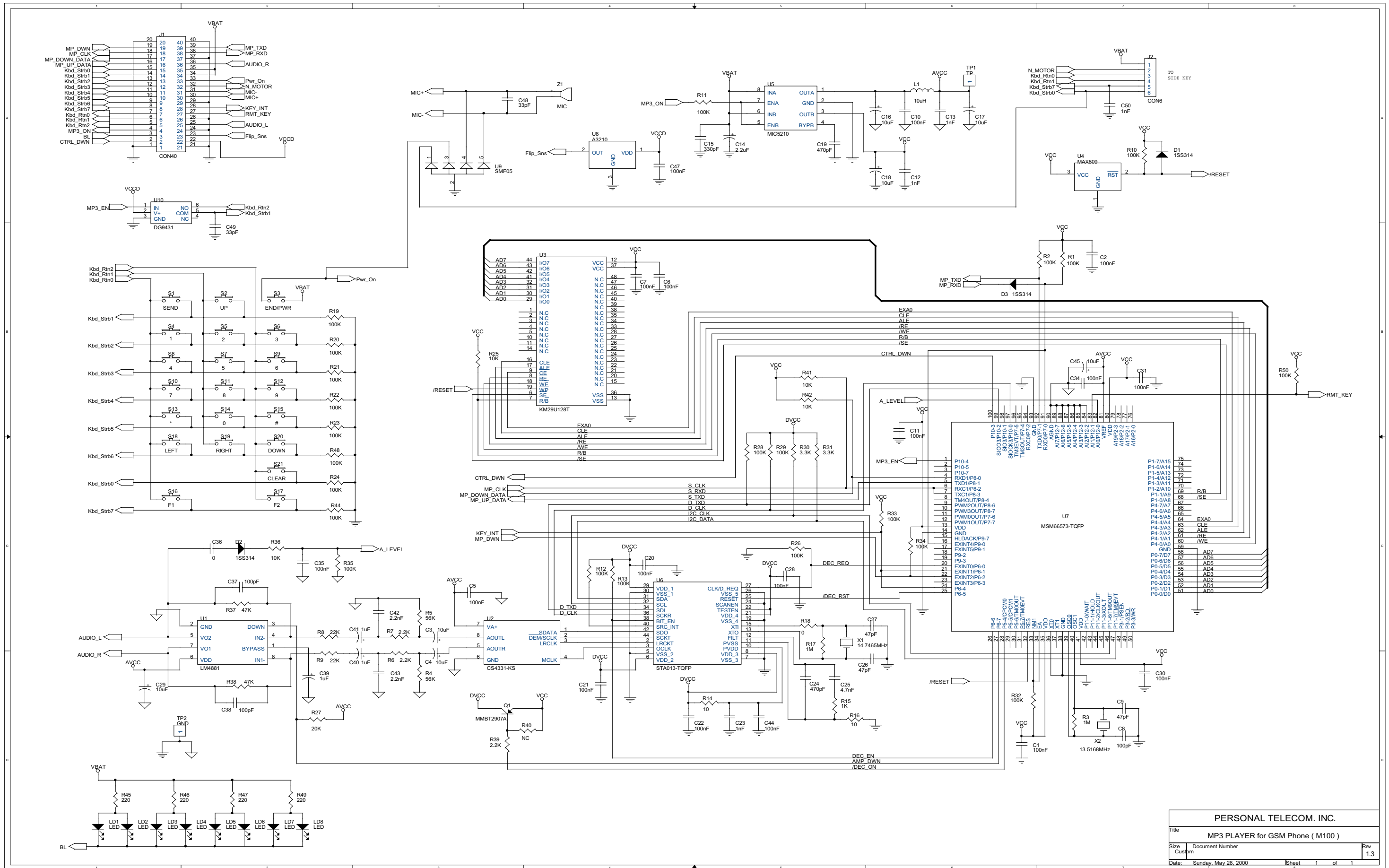
5-11 SGH-M100 Irda + Memory Circuit Diagram



Engineer IJg	SAMSUNG ELECTRONICS	
Drawn by IJg	TITLE:	
R&D CHK	SGH-M100	
DOC CTRL CHK	Irda + Memory Circuit Diagram	
MFG ENGR CHK	DA CHK	REV2.8 Drawing Number Sheet page 9

Changed by IJg Date Changed 2000.05.24 Time Changed 10:15:52 am

5-12 SGH-M100 MP3 Circuit Diagram



PERSONAL TELECOM. INC.		
Title	MP3 PLAYER for GSM Phone (M100)	
Size	Document Number	Rev
Custom		1.3
Date:	Sunday, May 28, 2000	Sheet 1 of 1