

SAMSUNG

GSM TELEPHONE
SGH-E730

SERVICE *Manual*

GSM TELEPHONE



CONTENTS

1. Specification
2. Circuit Description
3. Exploded Views and Parts List
4. Electrical Parts List
5. Block Diagrams
6. PCB Diagrams
7. Flow Chart of Troubleshooting

**SAMSUNG
ELECTRONICS**



This Service Manual is a property of Samsung Electronics Co.,Ltd.
Any unauthorized use of Manual can be punished under applicable
international and/or domestic law.

Samsung Electronics Co.,Ltd. June. 2005
Printed in Korea.

Code No.: GH68-07424A
BASIC.

1. Specification

1-1. GSM General Specification

| | GSM900 Phase 1 | EGSM 900 Phase 2 | DCS1800 Phase 1 | PCS1900 |
|------------------------------------|---------------------------|-----------------------------|----------------------------|------------------------|
| Freq. Band[MHz] Uplink/Downlink | 890~915 935~960 | 880~915 925~960 | 1710~1785 1805~1880 | 1850~1910 1930~1990 |
| ARFCN range | 1~124 | 0~124 & 975~1023 | 512~885 | 512~810 |
| Tx/Rx spacing | 45MHz | 45MHz | 95MHz | 80MHz |
| Mod. Bit rate / Bit Period | 270.833kbps 3.692us | 270.833kbps 3.692us | 270.833kbps 3.692us | 270.833kbps 3.692us |
| Time Slot Period / Frame Period | 576.9us 4.615ms | 576.9us 4.615ms | 576.9us 4.615ms | 576.9us 4.615ms |
| Modulation | 0.3GMSK | 0.3GMSK | 0.3GMSK | 0.3GMSK |
| MS Power | 33dBm~5dBm | 33dBm~5dBm | 30dBm~0dBm | 30dBm~0dBm |
| Power Class | 5pcl ~ 19pcl | 5pcl ~ 19pcl | 0pcl ~ 15pcl | 0pcl ~ 15pcl |
| Sensitivity | -102dBm | -102dBm | -100dBm | -100dBm |
| TDMA Mux | 8 | 8 | 8 | 8 |
| Cell Radius | 35Km | 35Km | 2Km | - |

1-2. GSM TX power class

| TX Power control level | GSM900 | TX Power control level | DCS1800 | TX Power control level | PCS1900 |
|-------------------------------|---------------|-------------------------------|----------------|-------------------------------|----------------|
| 5 | 33±3 dBm | 0 | 30±3 dBm | 0 | 30±3 dBm |
| 6 | 31±3 dBm | 1 | 28±3 dBm | 1 | 28±3 dBm |
| 7 | 29±3 dBm | 2 | 26±3 dBm | 2 | 26±3 dBm |
| 8 | 27±3 dBm | 3 | 24±3 dBm | 3 | 24±3 dBm |
| 9 | 25±3 dBm | 4 | 22±3 dBm | 4 | 22±3 dBm |
| 10 | 23±3 dBm | 5 | 20±3 dBm | 5 | 20±3 dBm |
| 11 | 21±3 dBm | 6 | 18±3 dBm | 6 | 18±3 dBm |
| 12 | 19±3 dBm | 7 | 16±3 dBm | 7 | 16±3 dBm |
| 13 | 17±3 dBm | 8 | 14±3 dBm | 8 | 14±3 dBm |
| 14 | 15±3 dBm | 9 | 12±4 dBm | 9 | 12±4 dBm |
| 15 | 13±3 dBm | 10 | 10±4 dBm | 10 | 10±4 dBm |
| 16 | 11±5 dBm | 11 | 8±4dBm | 11 | 8±4dBm |
| 17 | 9±5 dBm | 12 | 6±4 dBm | 12 | 6±4 dBm |
| 18 | 7±5 dBm | 13 | 4±4 dBm | 13 | 4±4 dBm |
| 19 | 5±5 dBm | 14 | 2±5 dBm | 14 | 2±5 dBm |
| | | 15 | 0±5 dBm | 15 | 0±5 dBm |

2. Circuit Description

2-1. SGH-E730 RF Circuit Description

2-1-1. RX PART

- ANTENNA SWITCH (Module1 Front End Module)

Switching Tx, Rx path for GSM900, DCS1800 and PCS1900 by logic controlling.

- ANTENNA SWITCH Control Logic (Module1) Truth Table

| | VC1 | VC2 | VC3 |
|------------------------|-----|-----|------|
| Tx Mode (GSM900) | H | L | L |
| Tx Mode (DCS1800/1900) | L | H | L(H) |
| Rx Mode (GSM900) | L | L | L |
| Rx Mode (DCS1800) | L | L | L |
| Rx Mode (PCS1900) | L | L | H |

- VC-TCXO (U102)

This module generates the 26MHz reference clock to drive the logic and RF.

It is turned on when the supply voltage Vcc(SYN) is applied.

After buffering a reference clock of 26MHz is supplied to the other parts of the system through the transceiver pin CLKOUT.

- TRANSCEIVER (U100)

This chip is fully integrated GSM GPRS quad-band transceiver with transmit baluns(balanced-unbalanced matching devices) , loop filters and most of the passive component in it.

And also fully integrated fractional N RF synthesizer with AFC control possibility, RF VCO with integrated supply regulator. Semi integrated reference oscillator with integrated supply regulator.

RF Receiver front-end amplifies the E-GSM900, DCS1800 and PCS1900 aerial signal, convert the chosen channel down to a low IF of 100kHz.

In IF section, further amplifies the wanted channel output level to the desired value and rejects DC.

2-1-2. TX PART

The transmitter is fully differential using a direct up conversion architecture. It consists of a signal side band power up mixer. Gain is controlled by 6 dB via 3-wire serial bus programming. The fully integrated VCO and power mixer achieve LO suppression, quadrature phase error, quadrature amplitude balance and low noise floor specification. Output matching/balun components drive a standard 50 ohms single ended load.

2-2. Baseband Circuit description of SGH-E730

2-2-1. PCF50603 (U400)

- Power Management

Eight low-dropout regulators designed specifically for GSM applications power the terminal and help ensure optimal system performance and long battery life. A programmable boost converter provides support for 1.8V, 3.0V SIMs, while a self-resetting, electronically fused switch supplies power to external accessories. Ancillary support functions, such as RTC module and High Voltage Charge pump, Clock generator, aid in reducing both board area and system complexity.

I2C BUS serial interface provides access to control and configuration registers. This interface gives a microprocessor full control of the PCF50603 and enables system designers to maximize both standby and talk times.

Supervisory functions, including a reset generator, an input voltage monitor, and a temperature sensor, support reliable system design. These functions work together to ensure proper system behavior during start-up or in the event of a fault condition (low microprocessor voltage, insufficient battery energy, or excessive die temperature).

- Clock Generator

The Clock Generator (CG) generates all clocks for internal and external usage. The 32.768 kHz crystal oscillator provides an accurate low clock frequency for the PCF50603 and other circuitry.

2-2-2. LCD Connector

LCD is consisted of main LCD (color 262K TFT LCD) and sub LCD (color 65K OLED LCD)

Chip select signals in the U305, LCD_MAIN_CS, LCD_SUB_CS can enable LCD. BACKLIGHT signal enables white LED of main LCD. These signal is from U200.

16-bit data lines (LD(0)~LD(15)) transfers data and commands to LCD. Data and commands use "RS" signal. If this signal is high, Inputs to LCD are commands. If it is low, Inputs to LCD are data. The signal which informs the input or output state to LCD, is required. But this system is not necessary this signal. So "L_WR" signal is used to write data or commands to LCD. Power signals for LCD are "VDD_IO_HIGH".

2-2-3. BLUE TOOTH

This system uses Blue Tooth module, UGNZ3, ALPS. This has signals, "BT_INT" (Interrupt signal), "RXD2" (input data) and "TXD2" (output data), PCM control signal (DCL[PCMCLK], DO[PCM_IN], DU[PCM_OUT], FSC[PCM_SYNC]) These signals are connected to PCF5212EL1EL1.

2-2-4. Key

This is consisted of key interface pins KEY_ROW(0:4) and KEY_COL(0:4) in PCF5212EL1EL1. These signals compose the matrix. Result of matrix informs the key status to key interface in the PCF5212EL1EL1. Power on/off key is separated from the matrix. So power on/off signal is connected with PCF50603 to enable PCF50603. Key LED is consisted of 12 white LEDs for main key. Main key LED use the 3.3V LDO for a supply voltage. KEY_LED_ON signal enables 12 white LED.

"FLIP" informs the status of folder (open or closed) to the PCF5212EL1EL1. This uses the hall effect IC, EM-1681-FT. A magnet under LCD enables EM-1681-FT.

2-2-5. EMI ESD Filter

This system uses the EMI ESD filter, U500 to protect noise from IF CONNECTOR part.

2-2-6. IF connetor

It is 18-pin connector. They are designed to use VBAT, V_EXT_CHARGE, USB_D+, +VBUS, USB_D-, TXD1, RXD1, AUX_ON, EXT1, EXT2, and GND. They connected to power supply IC, microprocessor and signal processor IC.

2-2-7. Battery Charge Management

A complete constant-current/constant-voltage linear charger for single cell lithium-ion batteries.

If TA connected to phone, "V_EXT_CHARGE" enable charger IC and supply current to battery.

When fault condition caused, "CHG_ON" signal level change low to high and charger IC stop charging process.

2-2-8. Audio

HFR_P and HFR_N from PCF5212EL1EL1 are connected to the main speaker via analog switches. MIC_P and MIC_N are connected to the main MIC as well. EAR1 is the source of External Speaker. YMU765 is a synthesizer LSI for mobile phones. This LSI has a built-in speaker amplifier for outputting sounds that are used by mobile phones in addition to game sounds and ringing melodies that are replayed by a synthesizer.

The synthesizer section adopts "stereophonic hybrid synthesizer system" that are given advantages of both FM synthesizers and Wave Table synthesizers to allow simultaneous generation of up to 32 FM voices and 32 Wave Table voices.

It provides simultaneous generation of up to 64 tones by stereophonic hybrid synthesizer.

YMU765 has built a speaker amplifier of which maximum out is 580 mW at SPVDD=3.6V in this device.

There is Stereophonic analog output for Headphone.

2-2-9. Memory

This system uses Samsung's memory, KAP17WG00M-D444. The KAP17WG00M-D444 is a Multi Chip Package Memory which combines 256Mbit Synchronous Burst Multi Bank NOR Flash Memory and two 1Gbit OneNAND Flash and 128Mbit Synchronous Burst UtRAM.

It has 16 bit data line, HD[0~15] which is connected to PCF5212EL1EL1 and MV3315DOQ, also has 24 bit address lines,

HA[1~24]. There are 3 chip select signals, CS0n_FLASH, CS4n_NAND, and CS1n_RAM.

In the Wrting process, WEn is fallen to low and it enables writing process to operate. During reading process,

OEn is fallen to low and it enables reading process to operate. Each chip select signals in the PCF5212EL1EL1 choose different memories.

2-2-10. PCF5212EL1EL1

The PCF5212EL1EL1 is mainly composed of embeded DSP and ARM core. The DSP subsystem includes the Saturn DSP core with embedded RAM and ROM, and a set of peripherals. It has 24kx16 bits PRAM, 104k*16 bits, 32k*16 XYRAM and 63k*16 XYROM in the DSP.

The ARM946E-S consists of an ARM9E-S processor core, 8 kbyte instruction cache and 8 kbyte data cache, tghtly-coupled ITCM(Instruction Tightly Coupled Memory) and DTCM(Data Tightly Coupled Memory) memories, a memory protection unit, and an AMBA(Advanced Microcontroller Bus Architecture) AHB(Advanced High-performance Bus) bus interface with a write buffer. 2-3

HD(0:15), data lines and HA(0:23), address lines are connected to KBJ10KB00M (memory), MV3315DOQ (image dsp) and YMU765 (melody IC). It has 64 kbyte SC RAM (0.5 Mbit) and 32 kbyte SC program ROM for bootstrap loader in the ARM core.

HD(0:15), data lines and HA(0:23), address lines are connected to memory and YMU765 to communicate.

MV3315DOQ(Camera DSP Chip) controls the communication between ARM core and DSP core.

OEn, WEn control the access of memory. KROW, and KCOL recognize the key string input status. The system communicates with IrDA via IrDA_TXD, IrDA_RXD.

It has J-TAG control pins (TDI/TDO/TCK) for ARM and DSP core. J-SEL signal controls different access to ARM and DSP core.

ADC(Analog to Digital Convertor) receives the condition of temperature, battery type and battery voltage.

2-2-11. VC-TCXO-214C6-26.0C (26MHz)

This system uses the 26MHz TCXO, VC-TCXO-214C6-26.0C. AFC control signal from PCF5212EL1 controls frequency from 26MHz x-tal. It generates the clock frequency. This clock is connected to PCF5212EL1, YMU765 and HD155166BPB.

2-2-12. Camera DSP (MV3315DOQ)

MV3315DOQ provides rich video functions up to 30-frame display with minimized tasks in the handset main processor as well as hardware based real-time JPEG compression and decompression. MV3315DOQ directly transmits and previews the RGB data to the LCD graphic memory by processing the sensor output data according to the handset's command. It can save the raw RGB data up to VGA resolution into its image buffer and allows the host processor to download with scalable sized compressed data.

It utilizes 16 bit data bus for communication with the main processor, including bus interface types.

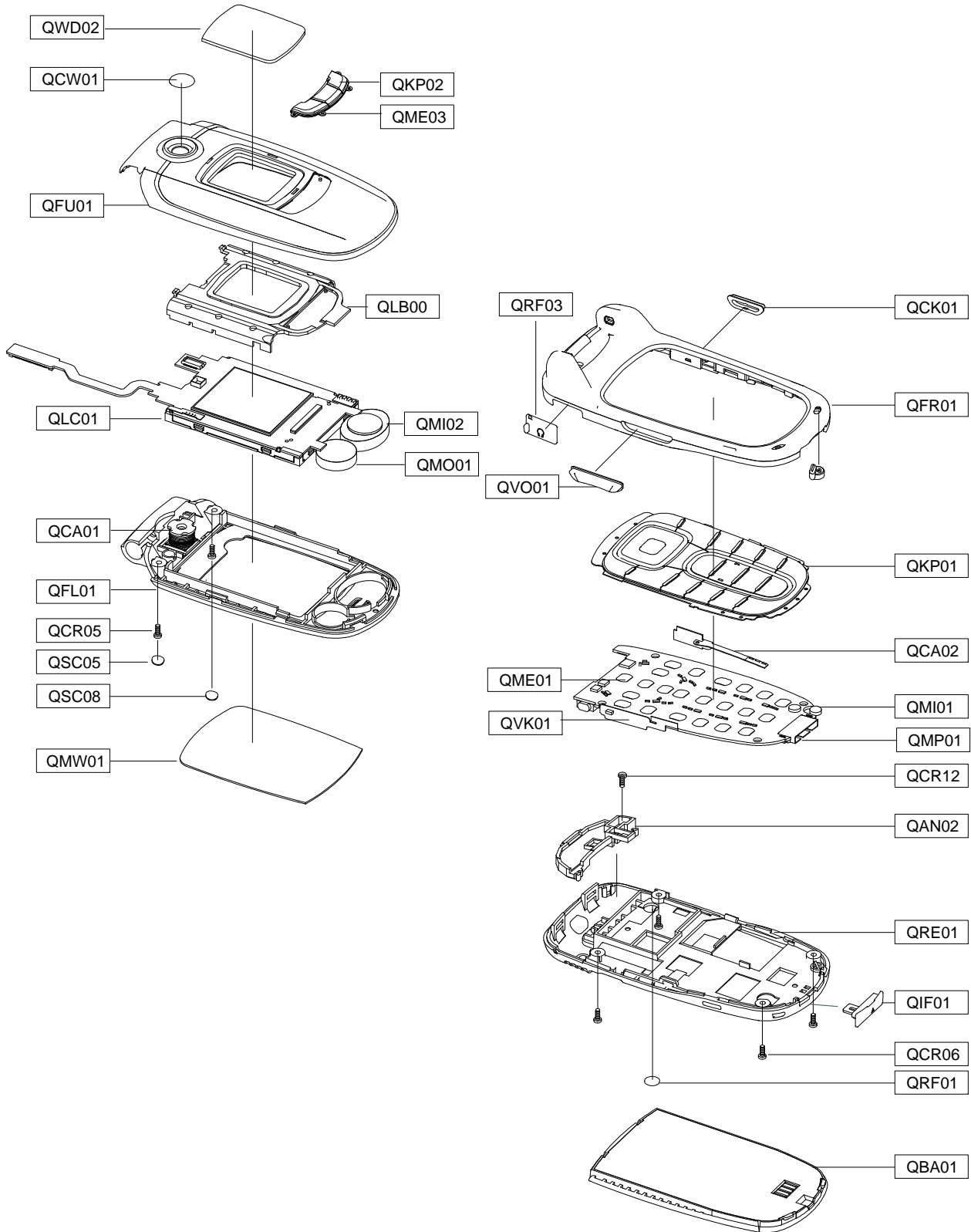
2-2-13. FM Radio (TEA5761UK)

The TEA5761 is a single chip electronically tuned FM stereo radio for low voltage application with fully integrated IF selectivity and demodulation.

TEA5761UK provide FM mixer for conversion of the US/Europe (87.5 MHz to 108 MHz) and Japanese FM band (76 MHz to 90 MHz) to IF.Preset tuning to receive Japanese TV audio up to 108 MHz, raster 100 kHz. and is connected to PCF5212EL1 of I2C.

3. Exploded View and Parts List

3-1. Exploded View



3-2. Parts List

| Location NO. | | SEC CODE | Description |
|--------------|-------|-------------|--------------------------------------|
| QAN02 | | GH42-00568A | ANTENNA-SGHE730;HIR-01503-0000AA,SGH |
| QBA01 | | GH43-01773A | BATTERY-800MAH,B/K,ENG,M;BST3578BE,S |
| QCA01 | | GH59-01977A | UNIT-CAMERA;SGH-E730,IC03037AA,-,XEF |
| QCA02 | | GH59-02072A | UNIT-CAMERA KEY;SGH-E730,H/K F.P.C A |
| QCR05 | | 6001-001478 | SCREW-MACHINE;PH,+,M1.4,L3,ZPC(BLK), |
| QCR06 | | 6001-001155 | SCREW-MACHINE;PH(PI2.5),+,M1.4,L3.5, |
| QCR12 | | 6001-001530 | SCREW-MACHINE;PH,+,M1.4,L2.5,ZPC(BLK |
| QCW01 | | GH72-19281A | PMO-CAMERA LENS;SGH-E730,ACRYL,TRP,P |
| QFL01 | | GH75-06733A | MEC-FOLDER LOWER;SGH-E730,XET,PC,-,- |
| QFR01 | | GH75-06729A | MEC-FRONT COVER;SGH-E730,XET,PC,-,-, |
| | QVO01 | GH75-06236A | MEC-VOLUME KEY;SGH-E730,EU,PC,17.8X3 |
| | QCK01 | GH75-06237A | MEC-CAMERA KEY;SGH-E730,EU,PC,3.7X12 |
| QFU01 | | GH75-06732A | MEC-FOLDER UPPER;SGH-E730,XET,PC,-,- |
| QIF01 | | GH72-19296A | PMO-IF COVER;SGH-E730,PC+ELASTOMER,N |
| QKP01 | | GH75-06730A | MEC-KEYPAD(XET/BLK);SGH-E730,XET,PC, |
| QKP02 | | GH75-06731A | MEC-KEY FOLD;SGH-E730,XET,PC,-,-,-,S |
| QLB00 | | GH75-06737A | MEC-LCD BRACKET;SGH-E730,XET,PC,-,-, |
| QLC01 | | GH07-00697A | LCD-SGHE730 MODEL;UF-17E077-A,SGH-E7 |
| QME01 | | GH59-02069A | UNIT-METAL DOME;SGH-E730,METAL DOME, |
| QME03 | | GH59-02071A | UNIT-MP3 KEY;SGH-E730,SGH-E730 MP3/K |
| QMI01 | | GH30-00188A | MICROPHONE-ASSY-SGHE730;2,130~500uA, |
| QMI02 | | 3001-001750 | MICRO SPEAKER;0.7W,8ohm,86dB± 2dB,80 |
| QMO01 | | GH31-00154D | MOTOR DC-SGHZ130;DMJBRK20C,SGH-Z130, |
| QMP01 | | GH92-02149A | PBA MAIN-SGHE730;SGH-E730,XET,EU,PBA |
| QMW01 | | GH75-06238A | MEC-MAIN WINDOW;SGH-E730,EU,PC,-,-,- |
| QRE01 | | GH75-06734A | MEC-REAR COVER;SGH-E730,XET,PC,-,-,- |
| QRF01 | | GH74-14614A | MPR-SHEET RF;SGH-E730,PC SHEET,PI6.5 |
| QRF03 | | GH72-19271A | PMO-EAR COVER;SGH-E730,PC,BLK,10.6X6 |
| QSC05 | | GH73-04080A | RMO-RUBBER SCREW CAP(L);SGH-E730,SI |
| QSC08 | | GH73-04081A | RMO-RUBBER SCREW CAP(R);SGH-E730,SI |
| QVK01 | | GH59-02070A | UNIT-VOLUME KEY;SGH-E730,SGH-E730 V/ |
| QWD02 | | GH72-19283A | PMO-SUB LCD WINDOW;SGH-E730,ACRYL,BL |

| SEC CODE | Description |
|-------------|---|
| 6902-000634 | BAG PE; LDPE, T0.05, W80, L180, TRP, -, - |
| GH44-00954A | ADAPTOR-SGHD500 BLK; TAD137EBE, SGH-D5 |
| GH59-02166A | UNIT-EARPHONE; SGH-C230, EM-SS550E-STB |
| GH68-02026A | LABEL(P)-WATER SOAK; SCH-X110, NORGE, 1 |
| GH68-06835A | LABEL(R)-MAIN(EU); SGH-E730, EU, POLYES |
| GH68-06897A | MANUAL-USE; SGH-E730, XEF, FRENCH, FRAN, |
| GH68-07013A | MANUAL-WEEE CARD; SGH-E720, SEC, ENGLIS |
| GH69-02842J | BOX(P)-SGHE730(IKF_EU); SGH-E730, SC30 |
| GH69-02845A | CUSHION-CASE(1-2); SGH-E730, PULP, T0.8 |
| GH74-05962A | MPR-FRONT FILTER; SGH-E700, BUZICPO, 16 |
| GH74-05963A | MPR-BOHO FOLDER LOWER; SGH-E700, 3M 41 |
| GH74-14607A | MPR-BOHO VINYL F/UPPER; SGH-E730, 3M 4 |
| GH74-14608A | MPR-BOHO VINYL F/LOWER; SGH-E730, 3M 4 |
| GH74-14609A | MPR-BOHO VINYL REAR; SGH-E730, 3M 4187 |
| GH74-15238A | MPR-SPONGE MOTOR; SGH-E730, PORON, PI10 |
| GH74-15350A | MPR-BOHO VINYL LCD CONN; SGH-E730, #95 |
| GH74-15507A | MPR-TAPE PCB ESD 1; SGH-E730, CONDUCTI |
| GH74-15508A | MPR-TAPE PCB ESD 2; SGH-E730, CONDUCTI |
| GH74-15509A | MPR-TAPE PCB INSUALTION; SGH-E730, 3M |
| GH74-15513A | MPR-SPONGE PCB ESD; SGH-E730, CONDUCTI |
| GH74-15582A | MPR-BOHO VINYL SUB WIN; SGH-E730, PVC, |
| GH74-15635A | MPR-TAPE LCD ESD 1; SGH-E730, 3M EAD16 |
| GH74-15641A | MPR-TAPE LCD ESD 3; SGH-E730, 3M 1352B |
| GH75-03207E | MEC-HAND STRAP; SGH-C100, SEC, -, -, BLK(|

3-3. Test Jig (GH80-03306A)



3-3-1. USB JIG Cable



3-3-2. RF Test Cable (GH39-00283A)



3-3-3. Test Cable (GH39-00337A)



3-3-4. Serial Cable (CSA LL64151-A)



3-3-5. Power Supply Cable



3-3-6. DATA CABLE (GH39-00331A]



3-3-7. TA (GH44-00482A)



4. Electrical Parts List

| SEC CODE | Design LOC | Description |
|-------------|------------|-----------------------|
| 0403-001387 | ZD500 | DIODE - ZENER |
| 0403-001427 | ZD501 | DIODE - ZENER |
| 0406-001104 | ZD601 | DIODE - TVS |
| 0406-001188 | U500 | DIODE - TVS |
| 0406-001190 | ZD600 | DIODE - TVS |
| 0406-001190 | ZD700 | DIODE - TVS |
| 0406-001201 | V700 | DIODE - TVS |
| 0406-001203 | V401 | DIODE - TVS |
| 0406-001208 | ZD701 | DIODE - TVS |
| 0504-001151 | Q200 | TR - DIGITAL |
| 0504-001151 | Q201 | TR - DIGITAL |
| 0504-001151 | Q202 | TR - DIGITAL |
| 0504-001151 | Q203 | TR - DIGITAL |
| 0504-001151 | Q500 | TR - DIGITAL |
| 0505-001332 | Q300 | FET - SILICON |
| 0601-001819 | LED700 | LED |
| 0601-001819 | LED701 | LED |
| 0601-001819 | LED702 | LED |
| 0601-001819 | LED703 | LED |
| 0601-001819 | LED704 | LED |
| 0601-001819 | LED705 | LED |
| 0601-001819 | LED706 | LED |
| 0601-001819 | LED707 | LED |
| 0601-001819 | LED708 | LED |
| 0601-001819 | LED709 | LED |
| 0601-001819 | LED710 | LED |
| 0601-001819 | LED711 | LED |
| 0801-003022 | U304 | IC - CMOS LOGIC |
| 0801-003025 | U302 | IC - CMOS LOGIC |
| 1001-001221 | U600 | IC - ANALOG SWITCH |
| 1001-001231 | U604 | IC - ANALOG MULTIPLEX |
| 1001-001231 | U701 | IC - ANALOG MULTIPLEX |
| 1001-001306 | U602 | IC - ANALOG MULTIPLEX |
| 1009-001020 | U503 | IC - HALL EFFECT S/W |
| 1108-000022 | U303 | IC - MCP |
| 1201-002223 | U101 | IC - TRANSMITTER |
| 1202-001068 | U601 | IC - VOLTAGE AMP |
| 1203-003568 | U400 | IC - POWER SUPERVISOR |
| 1203-003736 | U402 | IC DC/DC CONVERTER |
| 1203-003737 | U401 | IC - POSI. FIXED REG |
| 1203-003737 | U700 | IC - POSI. FIXED REG |
| 1203-003742 | U502 | IC - BATTERY |
| 1204-002138 | U300 | IC - AUDIO AMP |
| 1204-002398 | U603 | IC - TUNNER |
| 1205-002647 | U200 | IC - COMM. CONTROLLER |
| 1205-002709 | U100 | IC - MODEM |
| 1404-001221 | V500 | THERMISTOR |
| 1405-001082 | V400 | VARISTOR |
| 1405-001082 | V702 | VARISTOR |
| 1405-001082 | V703 | VARISTOR |

Electrical Parts List

| SEC CODE | Design LOC | Description |
|-------------|------------|-------------|
| 1405-001082 | V704 | VARISTOR |
| 1405-001128 | V705 | VARISTOR |
| 1405-001128 | V706 | VARISTOR |
| 2007-000137 | R511 | R-CHIP |
| 2007-000138 | R105 | R-CHIP |
| 2007-000138 | R116 | R-CHIP |
| 2007-000138 | R616 | R-CHIP |
| 2007-000140 | R625 | R-CHIP |
| 2007-000141 | R310 | R-CHIP |
| 2007-000141 | R311 | R-CHIP |
| 2007-000143 | R218 | R-CHIP |
| 2007-000148 | R201 | R-CHIP |
| 2007-000148 | R305 | R-CHIP |
| 2007-000148 | R308 | R-CHIP |
| 2007-000148 | R504 | R-CHIP |
| 2007-000148 | R602 | R-CHIP |
| 2007-000151 | R306 | R-CHIP |
| 2007-000152 | R506 | R-CHIP |
| 2007-000162 | R202 | R-CHIP |
| 2007-000162 | R204 | R-CHIP |
| 2007-000162 | R207 | R-CHIP |
| 2007-000162 | R212 | R-CHIP |
| 2007-000162 | R216 | R-CHIP |
| 2007-000162 | R307 | R-CHIP |
| 2007-000162 | R309 | R-CHIP |
| 2007-000162 | R317 | R-CHIP |
| 2007-000162 | R319 | R-CHIP |
| 2007-000162 | R405 | R-CHIP |
| 2007-000162 | R500 | R-CHIP |
| 2007-000162 | R503 | R-CHIP |
| 2007-000162 | R505 | R-CHIP |
| 2007-000162 | R513 | R-CHIP |
| 2007-000162 | R606 | R-CHIP |
| 2007-000162 | R611 | R-CHIP |
| 2007-000162 | R621 | R-CHIP |
| 2007-000162 | R716 | R-CHIP |
| 2007-000170 | R208 | R-CHIP |
| 2007-000170 | R209 | R-CHIP |
| 2007-000170 | R210 | R-CHIP |
| 2007-000170 | R211 | R-CHIP |
| 2007-000170 | R508 | R-CHIP |
| 2007-000170 | R509 | R-CHIP |
| 2007-000171 | R100 | R-CHIP |
| 2007-000171 | R108 | R-CHIP |
| 2007-000171 | R109 | R-CHIP |
| 2007-000171 | R110 | R-CHIP |
| 2007-000171 | R111 | R-CHIP |
| 2007-000171 | R113 | R-CHIP |
| 2007-000171 | R114 | R-CHIP |
| 2007-000171 | R115 | R-CHIP |

| SEC CODE | Design LOC | Description |
|-------------|------------|-------------|
| 2007-000171 | R117 | R-CHIP |
| 2007-000171 | R118 | R-CHIP |
| 2007-000171 | R119 | R-CHIP |
| 2007-000171 | R121 | R-CHIP |
| 2007-000171 | R122 | R-CHIP |
| 2007-000171 | R200 | R-CHIP |
| 2007-000171 | R203 | R-CHIP |
| 2007-000171 | R205 | R-CHIP |
| 2007-000171 | R206 | R-CHIP |
| 2007-000171 | R220 | R-CHIP |
| 2007-000171 | R301 | R-CHIP |
| 2007-000171 | R302 | R-CHIP |
| 2007-000171 | R304 | R-CHIP |
| 2007-000171 | R316 | R-CHIP |
| 2007-000171 | R318 | R-CHIP |
| 2007-000171 | R403 | R-CHIP |
| 2007-000171 | R404 | R-CHIP |
| 2007-000171 | R610 | R-CHIP |
| 2007-000171 | R613 | R-CHIP |
| 2007-000171 | R619 | R-CHIP |
| 2007-000171 | R620 | R-CHIP |
| 2007-000171 | R622 | R-CHIP |
| 2007-000171 | R623 | R-CHIP |
| 2007-000171 | R624 | R-CHIP |
| 2007-000171 | R712 | R-CHIP |
| 2007-000171 | R713 | R-CHIP |
| 2007-000171 | R714 | R-CHIP |
| 2007-000171 | R715 | R-CHIP |
| 2007-000173 | R101 | R-CHIP |
| 2007-000242 | R601 | R-CHIP |
| 2007-000242 | R603 | R-CHIP |
| 2007-000758 | R501 | R-CHIP |
| 2007-000758 | R502 | R-CHIP |
| 2007-000775 | R617 | R-CHIP |
| 2007-000831 | R605 | R-CHIP |
| 2007-001303 | R314 | R-CHIP |
| 2007-001325 | R300 | R-CHIP |
| 2007-001325 | R618 | R-CHIP |
| 2007-001339 | R612 | R-CHIP |
| 2007-002796 | R406 | R-CHIP |
| 2007-002796 | R604 | R-CHIP |
| 2007-002970 | R700 | R-CHIP |
| 2007-002970 | R701 | R-CHIP |
| 2007-002970 | R702 | R-CHIP |
| 2007-002970 | R703 | R-CHIP |
| 2007-002970 | R704 | R-CHIP |
| 2007-002970 | R705 | R-CHIP |
| 2007-002970 | R705 | R-CHIP |
| 2007-002970 | R706 | R-CHIP |
| 2007-002970 | R707 | R-CHIP |

Electrical Parts List

| SEC CODE | Design LOC | Description |
|-------------|------------|----------------|
| 2007-002970 | R708 | R-CHIP |
| 2007-002970 | R709 | R-CHIP |
| 2007-002970 | R710 | R-CHIP |
| 2007-002970 | R711 | R-CHIP |
| 2007-007014 | R313 | R-CHIP |
| 2007-007014 | R315 | R-CHIP |
| 2007-007100 | R402 | R-CHIP |
| 2007-007101 | R303 | R-CHIP |
| 2007-007107 | R401 | R-CHIP |
| 2007-007137 | R214 | R-CHIP |
| 2007-007137 | R215 | R-CHIP |
| 2007-007308 | R514 | R-CHIP |
| 2007-007334 | R512 | R-CHIP |
| 2007-007480 | R608 | R-CHIP |
| 2007-007489 | R515 | R-CHIP |
| 2007-007573 | R510 | R-CHIP |
| 2007-007573 | R607 | R-CHIP |
| 2007-008812 | R400 | R-CHIP |
| 2011-001394 | R217 | R-CHIP |
| 2203-000233 | C136 | C-CERAMIC,CHIP |
| 2203-000233 | C312 | C-CERAMIC,CHIP |
| 2203-000233 | C409 | C-CERAMIC,CHIP |
| 2203-000233 | C620 | C-CERAMIC,CHIP |
| 2203-000254 | C126 | C-CERAMIC,CHIP |
| 2203-000254 | C129 | C-CERAMIC,CHIP |
| 2203-000254 | C131 | C-CERAMIC,CHIP |
| 2203-000254 | C138 | C-CERAMIC,CHIP |
| 2203-000254 | C202 | C-CERAMIC,CHIP |
| 2203-000254 | C310 | C-CERAMIC,CHIP |
| 2203-000254 | C610 | C-CERAMIC,CHIP |
| 2203-000254 | C619 | C-CERAMIC,CHIP |
| 2203-000278 | C112 | C-CERAMIC,CHIP |
| 2203-000278 | C113 | C-CERAMIC,CHIP |
| 2203-000278 | C114 | C-CERAMIC,CHIP |
| 2203-000278 | C601 | C-CERAMIC,CHIP |
| 2203-000278 | C607 | C-CERAMIC,CHIP |
| 2203-000278 | C612 | C-CERAMIC,CHIP |
| 2203-000359 | C400 | C-CERAMIC,CHIP |
| 2203-000438 | C135 | C-CERAMIC,CHIP |
| 2203-000438 | C137 | C-CERAMIC,CHIP |
| 2203-000438 | C139 | C-CERAMIC,CHIP |
| 2203-000438 | C303 | C-CERAMIC,CHIP |
| 2203-000628 | C125 | C-CERAMIC,CHIP |
| 2203-000628 | C128 | C-CERAMIC,CHIP |
| 2203-000628 | C130 | C-CERAMIC,CHIP |
| 2203-000628 | C132 | C-CERAMIC,CHIP |
| 2203-000654 | C315 | C-CERAMIC,CHIP |
| 2203-000679 | C300 | C-CERAMIC,CHIP |
| 2203-000679 | C313 | C-CERAMIC,CHIP |
| 2203-000679 | C624 | C-CERAMIC,CHIP |

| SEC CODE | Design LOC | Description |
|-------------|------------|------------------|
| 2203-000679 | C405 | C - CERAMIC,CHIP |
| 2203-000679 | C407 | C - CERAMIC,CHIP |
| 2203-000696 | C604 | C - CERAMIC,CHIP |
| 2203-000812 | C100 | C - CERAMIC,CHIP |
| 2203-000812 | C101 | C - CERAMIC,CHIP |
| 2203-000812 | C103 | C - CERAMIC,CHIP |
| 2203-000812 | C120 | C - CERAMIC,CHIP |
| 2203-000812 | C205 | C - CERAMIC,CHIP |
| 2203-000812 | C213 | C - CERAMIC,CHIP |
| 2203-000812 | C215 | C - CERAMIC,CHIP |
| 2203-000812 | C218 | C - CERAMIC,CHIP |
| 2203-000812 | C221 | C - CERAMIC,CHIP |
| 2203-000812 | C224 | C - CERAMIC,CHIP |
| 2203-000812 | C411 | C - CERAMIC,CHIP |
| 2203-000812 | C706 | C - CERAMIC,CHIP |
| 2203-000812 | C707 | C - CERAMIC,CHIP |
| 2203-000812 | C708 | C - CERAMIC,CHIP |
| 2203-000812 | C716 | C - CERAMIC,CHIP |
| 2203-000995 | C605 | C - CERAMIC,CHIP |
| 2203-000995 | C611 | C - CERAMIC,CHIP |
| 2203-000995 | C623 | C - CERAMIC,CHIP |
| 2203-001153 | C421 | C - CERAMIC,CHIP |
| 2203-001259 | C106 | C - CERAMIC,CHIP |
| 2203-001259 | C108 | C - CERAMIC,CHIP |
| 2203-001259 | C709 | C - CERAMIC,CHIP |
| 2203-001259 | C710 | C - CERAMIC,CHIP |
| 2203-001259 | C711 | C - CERAMIC,CHIP |
| 2203-001259 | C712 | C - CERAMIC,CHIP |
| 2203-001259 | C713 | C - CERAMIC,CHIP |
| 2203-001259 | C714 | C - CERAMIC,CHIP |
| 2203-001259 | C715 | C - CERAMIC,CHIP |
| 2203-002443 | C500 | C - CERAMIC,CHIP |
| 2203-002525 | C306 | C - CERAMIC,CHIP |
| 2203-002668 | C104 | C - CERAMIC,CHIP |
| 2203-002668 | C115 | C - CERAMIC,CHIP |
| 2203-003054 | C615 | C - CERAMIC,CHIP |
| 2203-003054 | C617 | C - CERAMIC,CHIP |
| 2203-005050 | C117 | C - CERAMIC,CHIP |
| 2203-005288 | C105 | C - CERAMIC,CHIP |
| 2203-005288 | C116 | C - CERAMIC,CHIP |
| 2203-005480 | C311 | C - CERAMIC,CHIP |
| 2203-005480 | C618 | C - CERAMIC,CHIP |
| 2203-005480 | C621 | C - CERAMIC,CHIP |
| 2203-005480 | C622 | C - CERAMIC,CHIP |
| 2203-005480 | C627 | C - CERAMIC,CHIP |
| 2203-005482 | C133 | C - CERAMIC,CHIP |
| 2203-005482 | C134 | C - CERAMIC,CHIP |
| 2203-005482 | C201 | C - CERAMIC,CHIP |
| 2203-005482 | C203 | C - CERAMIC,CHIP |
| 2203-005482 | C204 | C - CERAMIC,CHIP |

Electrical Parts List

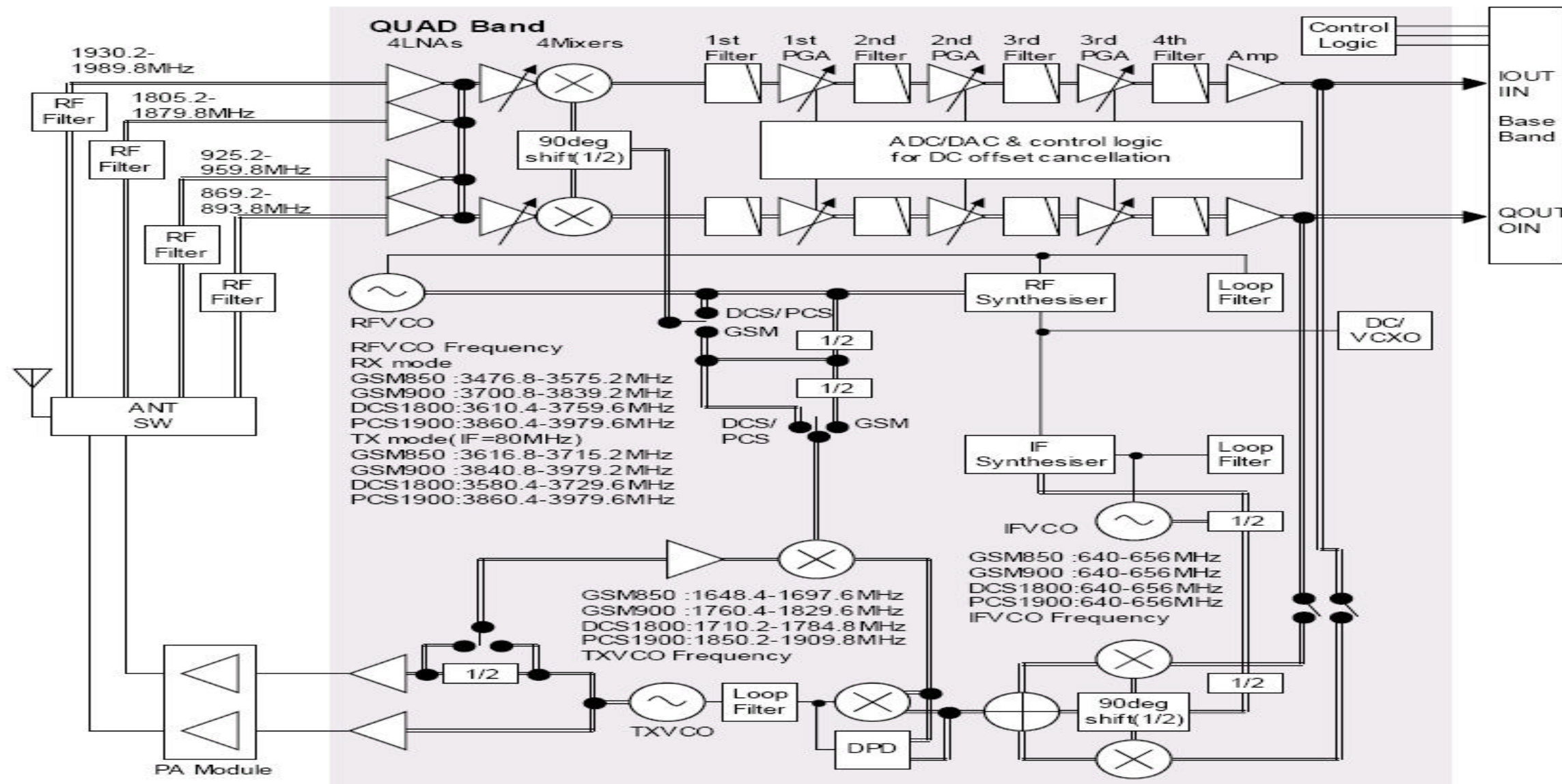
| SEC CODE | Design LOC | Description |
|-------------|------------|------------------|
| 2203-005482 | C206 | C - CERAMIC,CHIP |
| 2203-005482 | C207 | C - CERAMIC,CHIP |
| 2203-005482 | C208 | C - CERAMIC,CHIP |
| 2203-005482 | C209 | C - CERAMIC,CHIP |
| 2203-005482 | C210 | C - CERAMIC,CHIP |
| 2203-005482 | C211 | C - CERAMIC,CHIP |
| 2203-005482 | C212 | C - CERAMIC,CHIP |
| 2203-005482 | C214 | C - CERAMIC,CHIP |
| 2203-005482 | C217 | C - CERAMIC,CHIP |
| 2203-005482 | C301 | C - CERAMIC,CHIP |
| 2203-005482 | C302 | C - CERAMIC,CHIP |
| 2203-005482 | C305 | C - CERAMIC,CHIP |
| 2203-005482 | C307 | C - CERAMIC,CHIP |
| 2203-005482 | C308 | C - CERAMIC,CHIP |
| 2203-005482 | C309 | C - CERAMIC,CHIP |
| 2203-005482 | C314 | C - CERAMIC,CHIP |
| 2203-005482 | C318 | C - CERAMIC,CHIP |
| 2203-005482 | C319 | C - CERAMIC,CHIP |
| 2203-005482 | C406 | C - CERAMIC,CHIP |
| 2203-005482 | C419 | C - CERAMIC,CHIP |
| 2203-005482 | C502 | C - CERAMIC,CHIP |
| 2203-005482 | C503 | C - CERAMIC,CHIP |
| 2203-005482 | C505 | C - CERAMIC,CHIP |
| 2203-005482 | C603 | C - CERAMIC,CHIP |
| 2203-005482 | C606 | C - CERAMIC,CHIP |
| 2203-005482 | C626 | C - CERAMIC,CHIP |
| 2203-006053 | C304 | C - CERAMIC,CHIP |
| 2203-006093 | C413 | C - CERAMIC,CHIP |
| 2203-006093 | C501 | C - CERAMIC,CHIP |
| 2203-006137 | C616 | C - CERAMIC,CHIP |
| 2203-006190 | C222 | C - CERAMIC,CHIP |
| 2203-006190 | C223 | C - CERAMIC,CHIP |
| 2203-006208 | C401 | C - CERAMIC,CHIP |
| 2203-006208 | C412 | C - CERAMIC,CHIP |
| 2203-006208 | C414 | C - CERAMIC,CHIP |
| 2203-006208 | C418 | C - CERAMIC,CHIP |
| 2203-006208 | C422 | C - CERAMIC,CHIP |
| 2203-006208 | C423 | C - CERAMIC,CHIP |
| 2203-006257 | C408 | C - CERAMIC,CHIP |
| 2203-006257 | C415 | C - CERAMIC,CHIP |
| 2203-006257 | C416 | C - CERAMIC,CHIP |
| 2203-006257 | C424 | C - CERAMIC,CHIP |
| 2203-006257 | C425 | C - CERAMIC,CHIP |
| 2203-006257 | C628 | C - CERAMIC,CHIP |
| 2203-006260 | C122 | C - CERAMIC,CHIP |
| 2203-006324 | C404 | C - CERAMIC,CHIP |
| 2203-006562 | C200 | C - CERAMIC,CHIP |
| 2203-006562 | C317 | C - CERAMIC,CHIP |
| 2203-006562 | C402 | C - CERAMIC,CHIP |
| 2203-006562 | C403 | C - CERAMIC,CHIP |

| SEC CODE | Design LOC | Description |
|-------------|------------|---------------------|
| 2203-006562 | C506 | C - CERAMIC,CHIP |
| 2203-006562 | C625 | C - CERAMIC,CHIP |
| 2203-006562 | C700 | C - CERAMIC,CHIP |
| 2404-001348 | C121 | C - TA,CHIP |
| 2404-001374 | C124 | C - TA,CHIP |
| 2404-001374 | C127 | C - TA,CHIP |
| 2404-001394 | C410 | C - TA,CHIP |
| 2404-001394 | C504 | C - TA,CHIP |
| 2404-001402 | C600 | C - TA,CHIP |
| 2703-001231 | L603 | INDUCTOR-SMD |
| 2703-001673 | L604 | INDUCTOR-SMD |
| 2703-001752 | L300 | INDUCTOR-SMD |
| 2703-002170 | L110 | INDUCTOR-SMD |
| 2703-002206 | L605 | INDUCTOR-SMD |
| 2703-002281 | L112 | INDUCTOR-SMD |
| 2703-002314 | L103 | INDUCTOR-SMD |
| 2703-002365 | L104 | INDUCTOR-SMD |
| 2703-002365 | L105 | INDUCTOR-SMD |
| 2703-002365 | L108 | INDUCTOR-SMD |
| 2703-002365 | L109 | INDUCTOR-SMD |
| 2703-002586 | L101 | INDUCTOR-SMD |
| 2703-002596 | L107 | INDUCTOR-SMD |
| 2703-002774 | L401 | INDUCTOR-SMD |
| 2801-004373 | OSC400 | CRYSTAL-UNIT |
| 2809-001293 | U102 | OSCILLATOR-VCTCXO |
| 2901-001254 | F100 | FILTER-EMI SMD |
| 2901-001286 | F700 | FILTER-EMI SMD |
| 2901-001286 | F701 | FILTER-EMI SMD |
| 2901-001286 | F702 | FILTER-EMI SMD |
| 2901-001286 | F703 | FILTER-EMI SMD |
| 2901-001286 | F704 | FILTER-EMI SMD |
| 2901-001315 | U501 | FILTER-EMI SMD |
| 2911-000007 | MODULE1 | FILTER |
| 3301-001120 | L400 | CORE-FERRITE BEAD |
| 3301-001438 | L600 | CORE-FERRITE BEAD |
| 3301-001438 | L601 | CORE-FERRITE BEAD |
| 3301-001534 | L500 | CORE-FERRITE BEAD |
| 3301-001789 | L200 | CORE-FERRITE BEAD |
| 3301-001789 | R614 | CORE-FERRITE BEAD |
| 3705-001358 | CN100 | CONNECTOR-COAXIAL |
| 3709-001229 | SIM400 | CONNECTOR-CARD EDGE |
| 3710-001994 | IFC500 | CONNECTOR-SOCKET |
| 3711-005880 | BTC500 | CONNECTOR-HEADER |
| 3711-005918 | CN700 | CONNECTOR-HEADER |
| 3722-002082 | CN600 | JACK-PHONE |
| 4302-001180 | C426 | BATTERY |
| 4709-001371 | U301 | RF-MODULE |
| GH13-00030A | U305 | COMP-SMD |
| 4202-001052 | ANT300 | C - CERAMIC,CHIP |

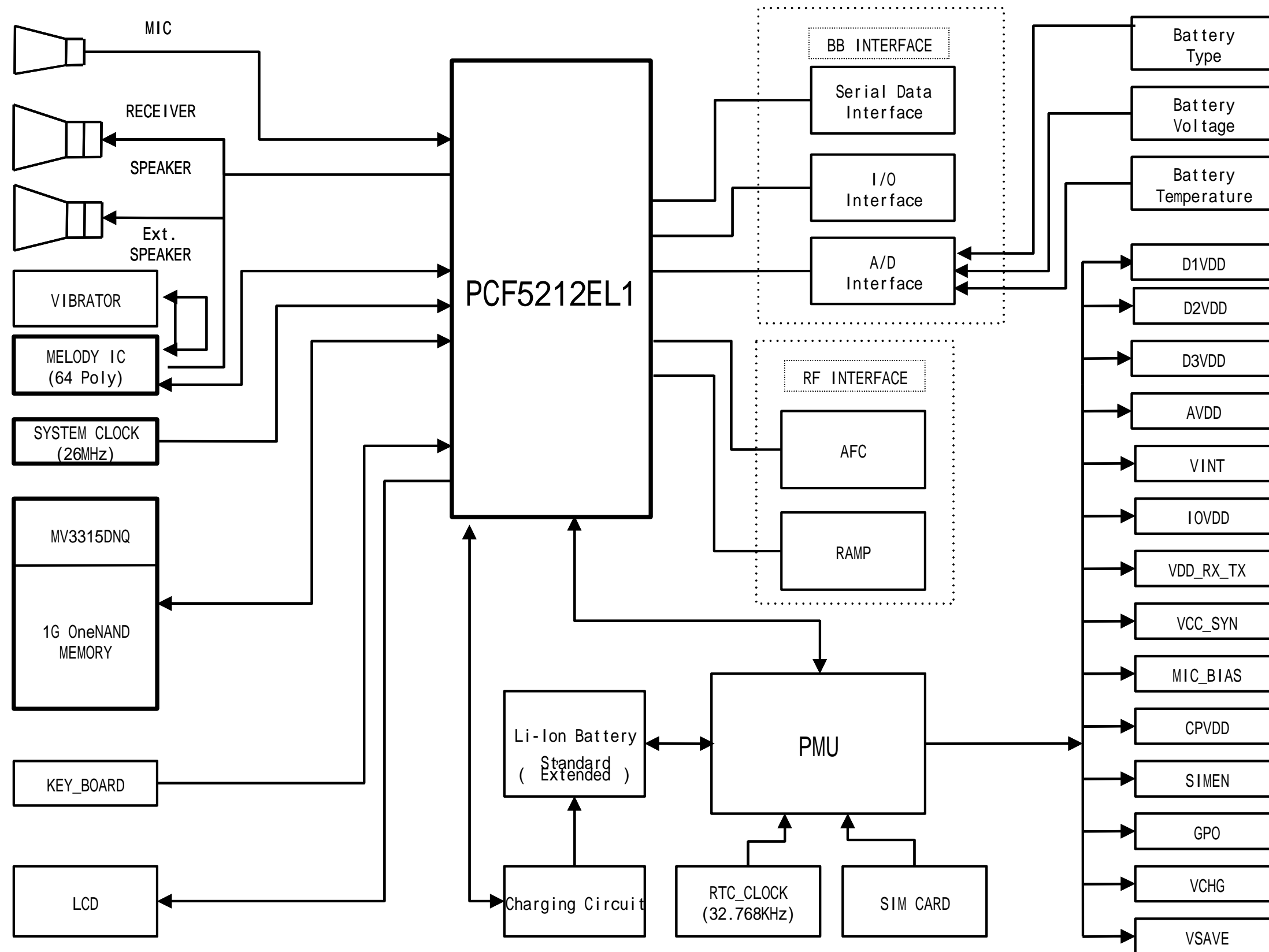
5. Block Diagrams

5-1. RF Solution Block Diagram

Block Diagram

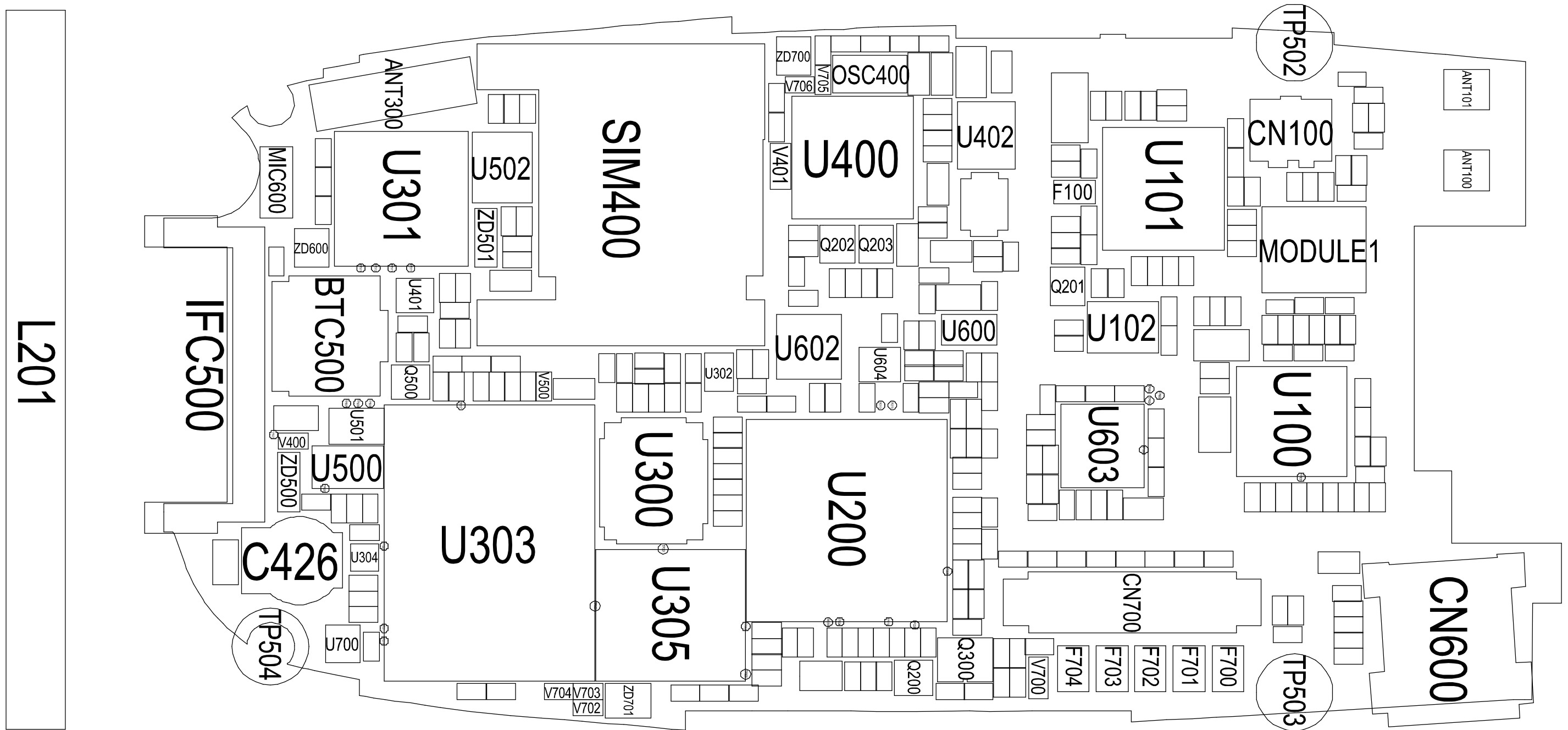


5-2. Base Band Solution Block Diagram

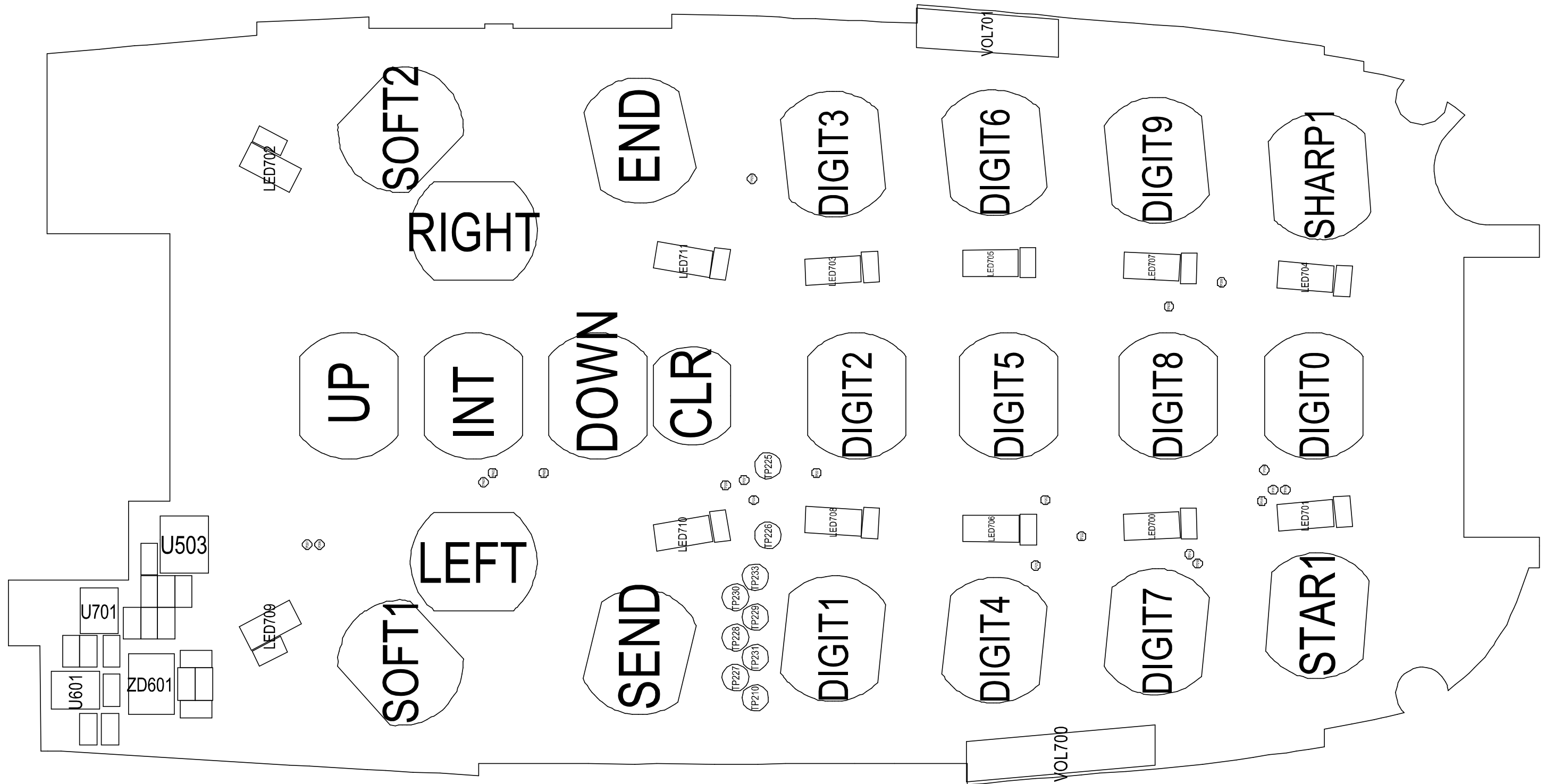


6. PCB Diagrams

6-1. PCB Top Diagram

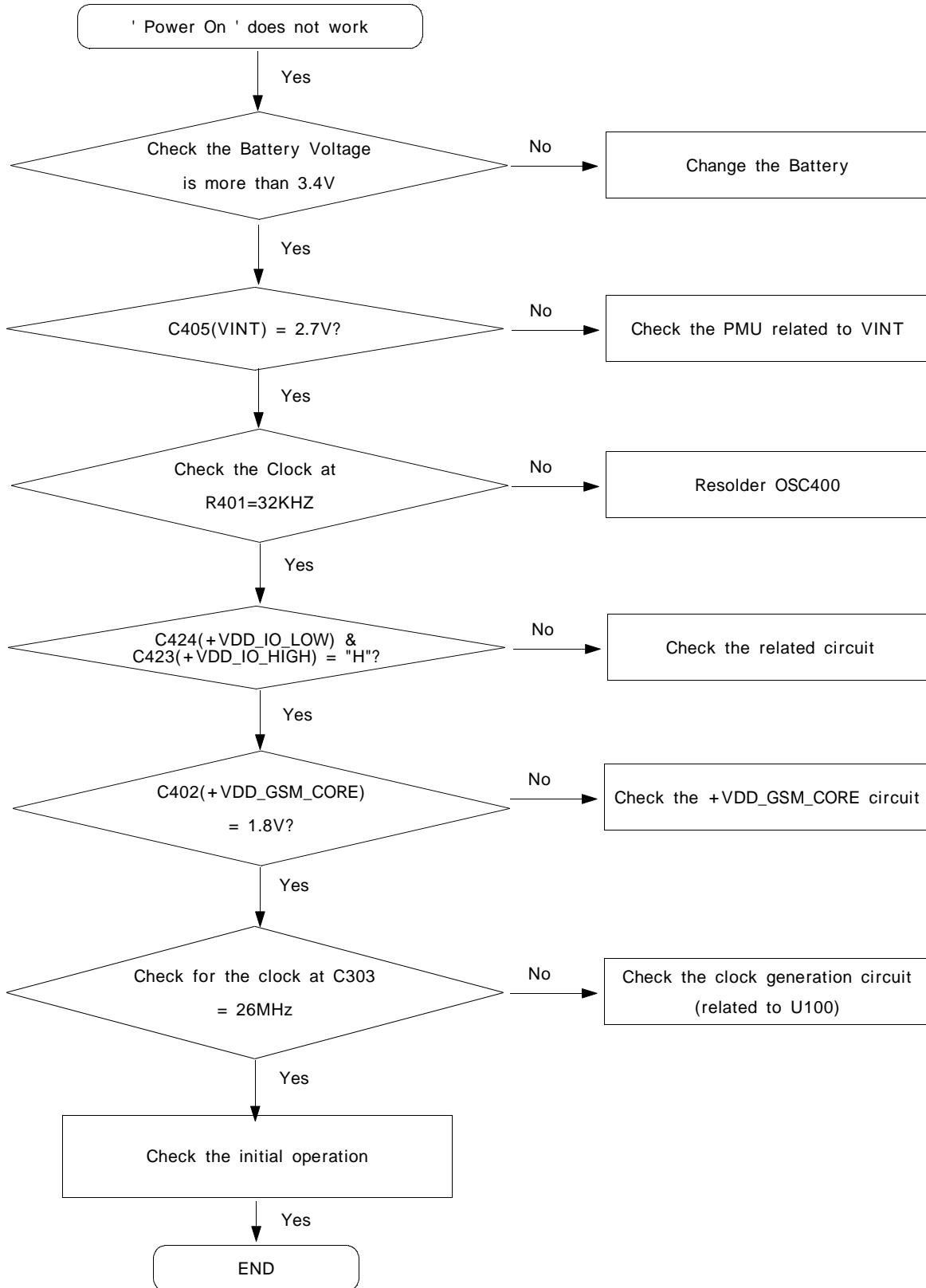


6-2. PCB Bottom Diagram

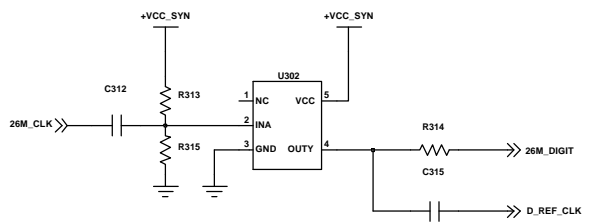
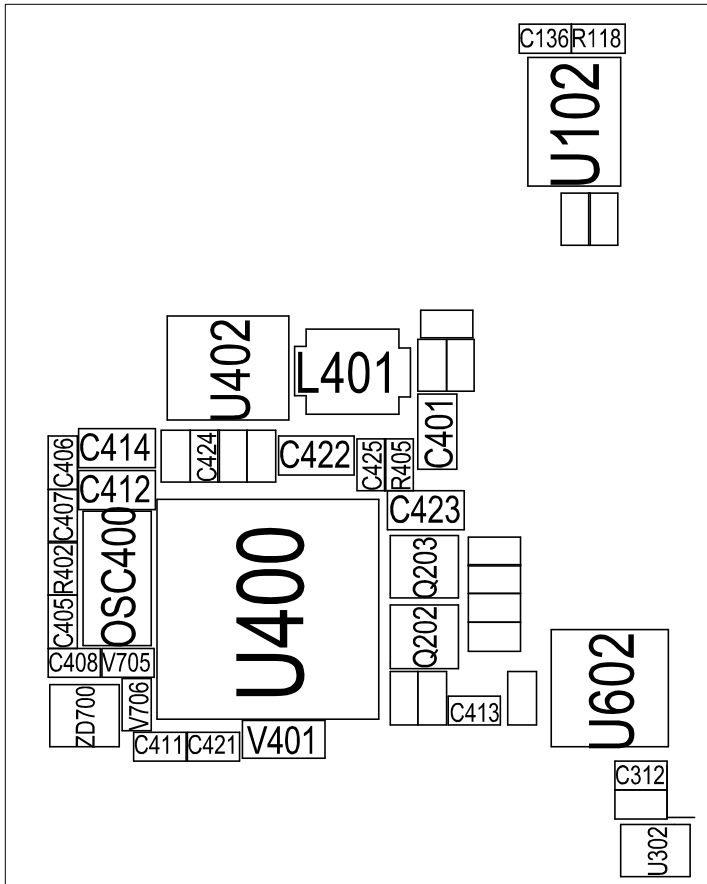
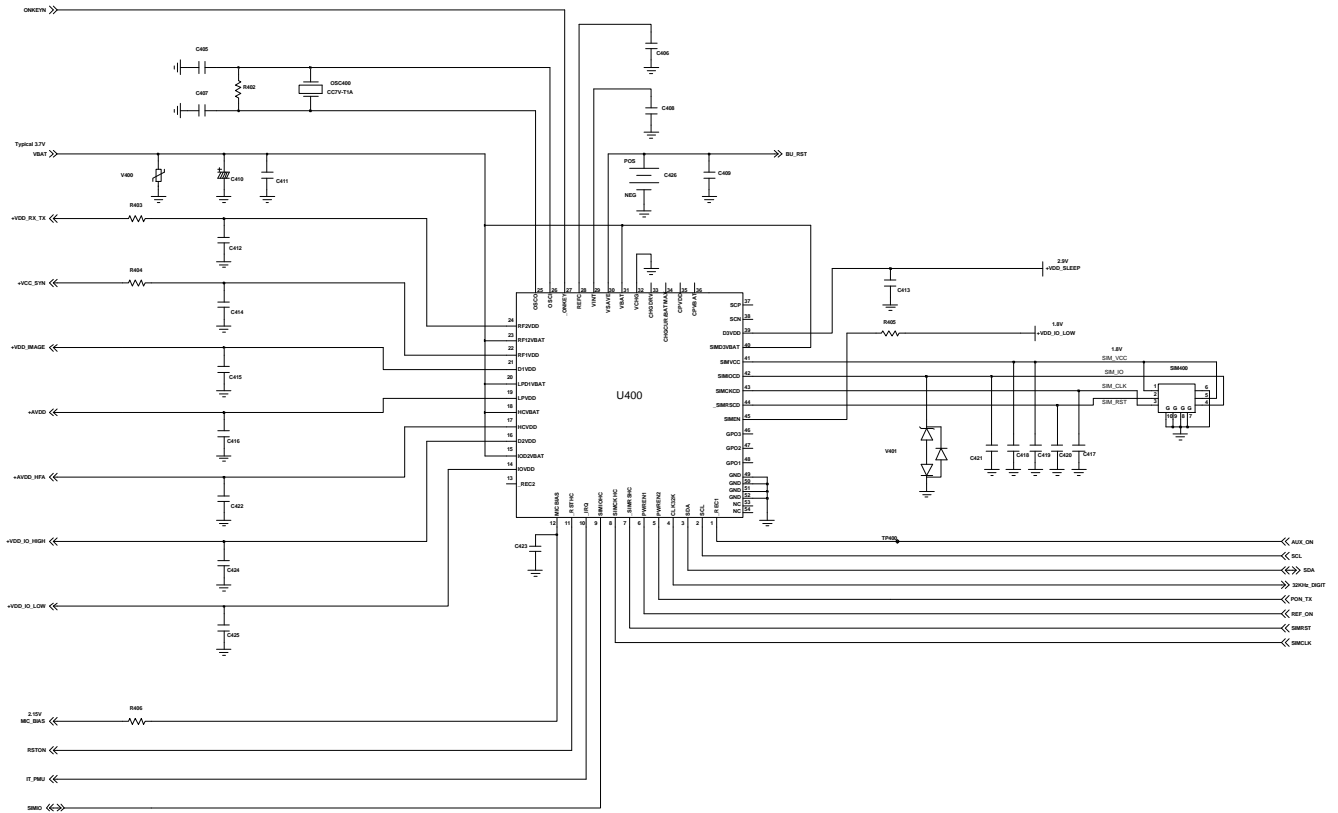


7. Flow Chart of Troubleshooting

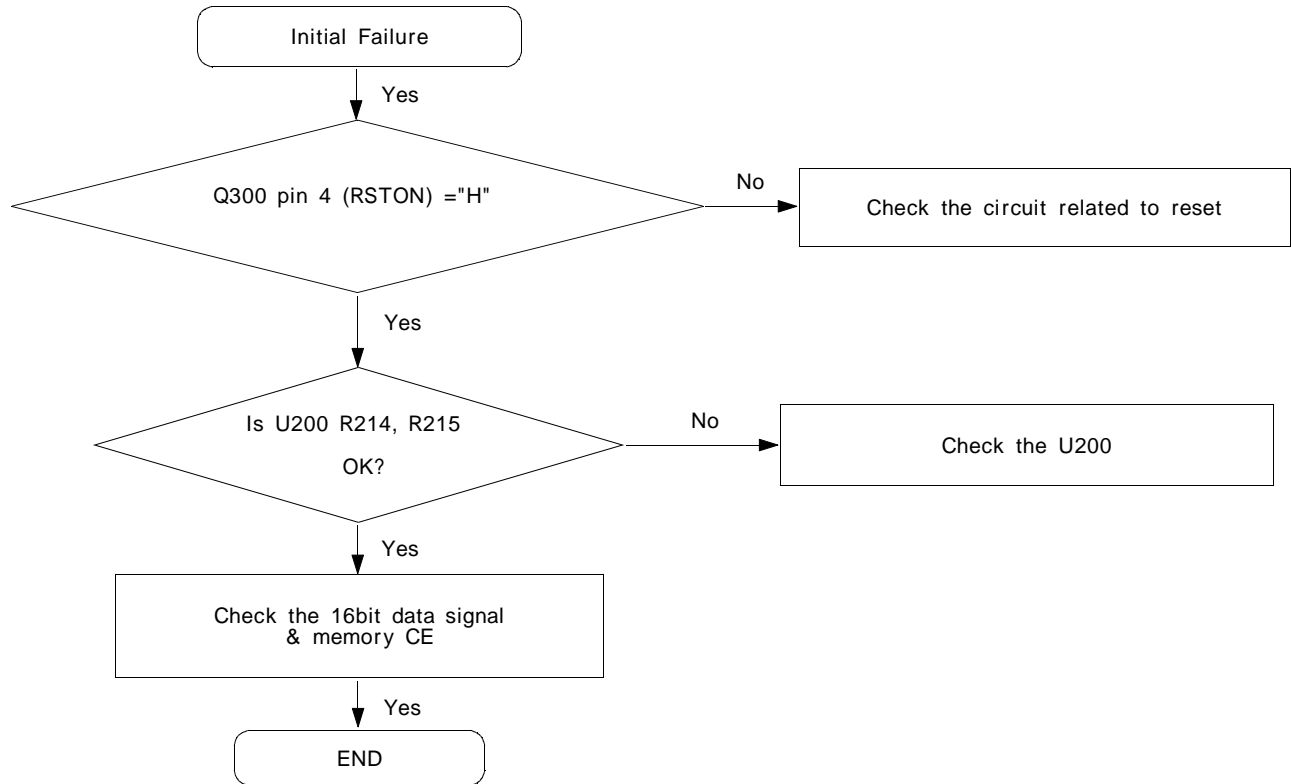
7-1. Power On



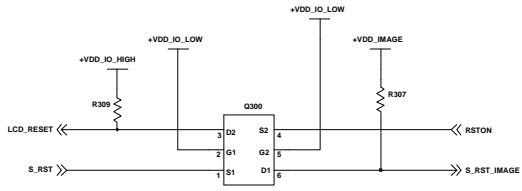
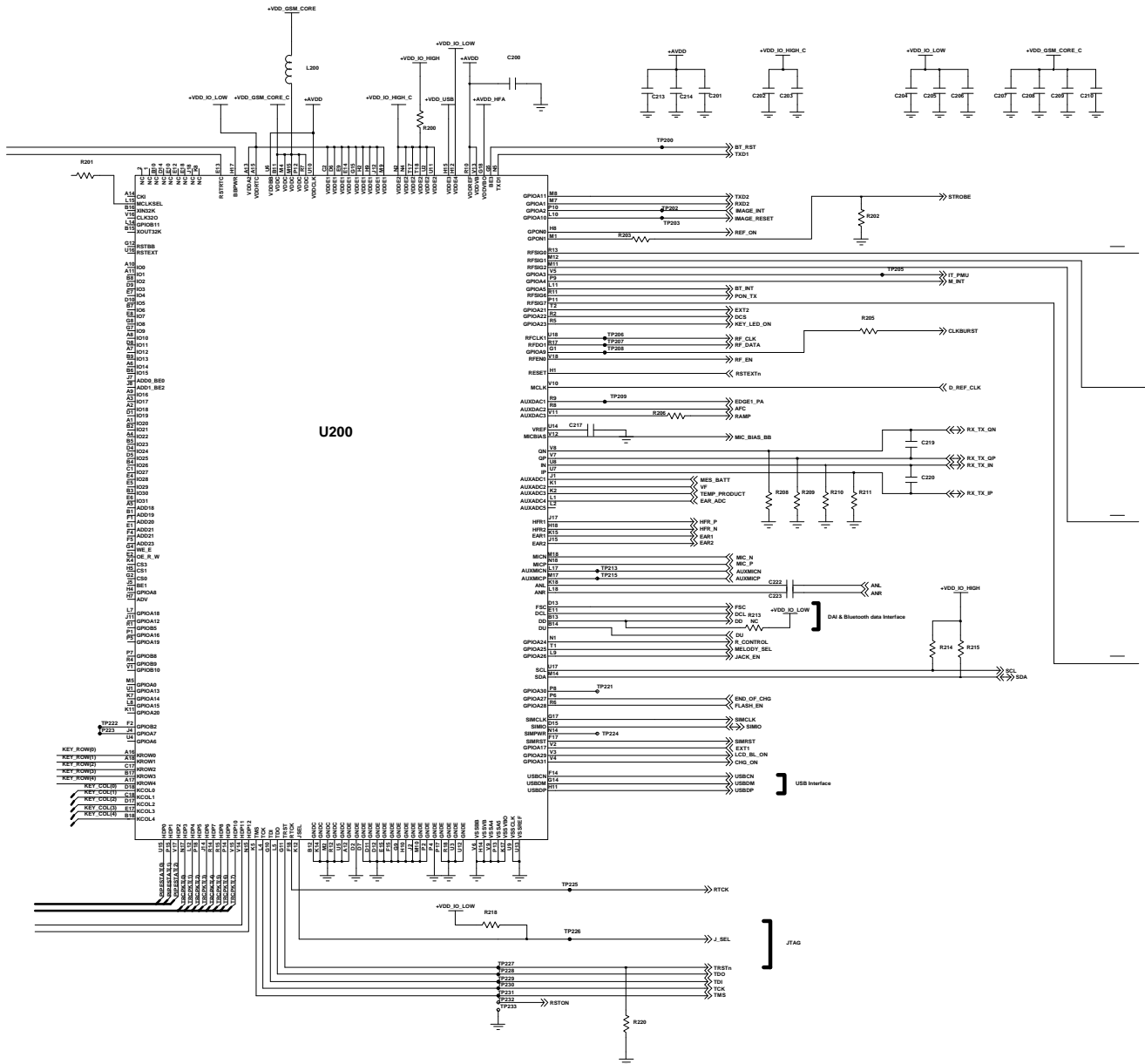
Flow Chart of Troubleshooting

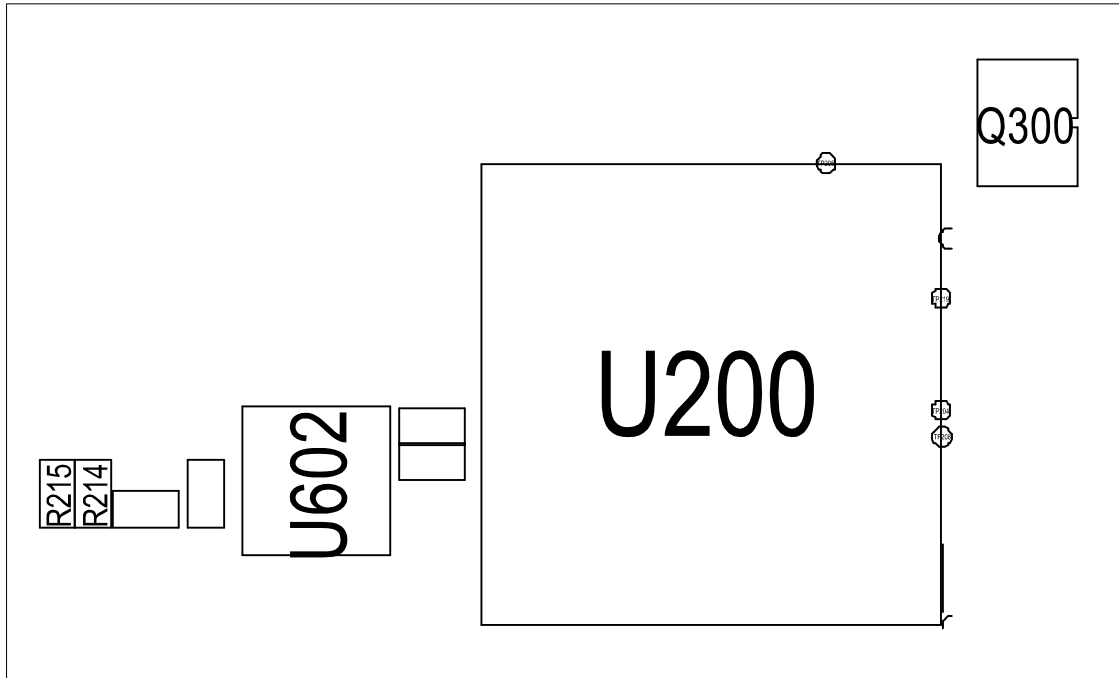


7-2. Initial

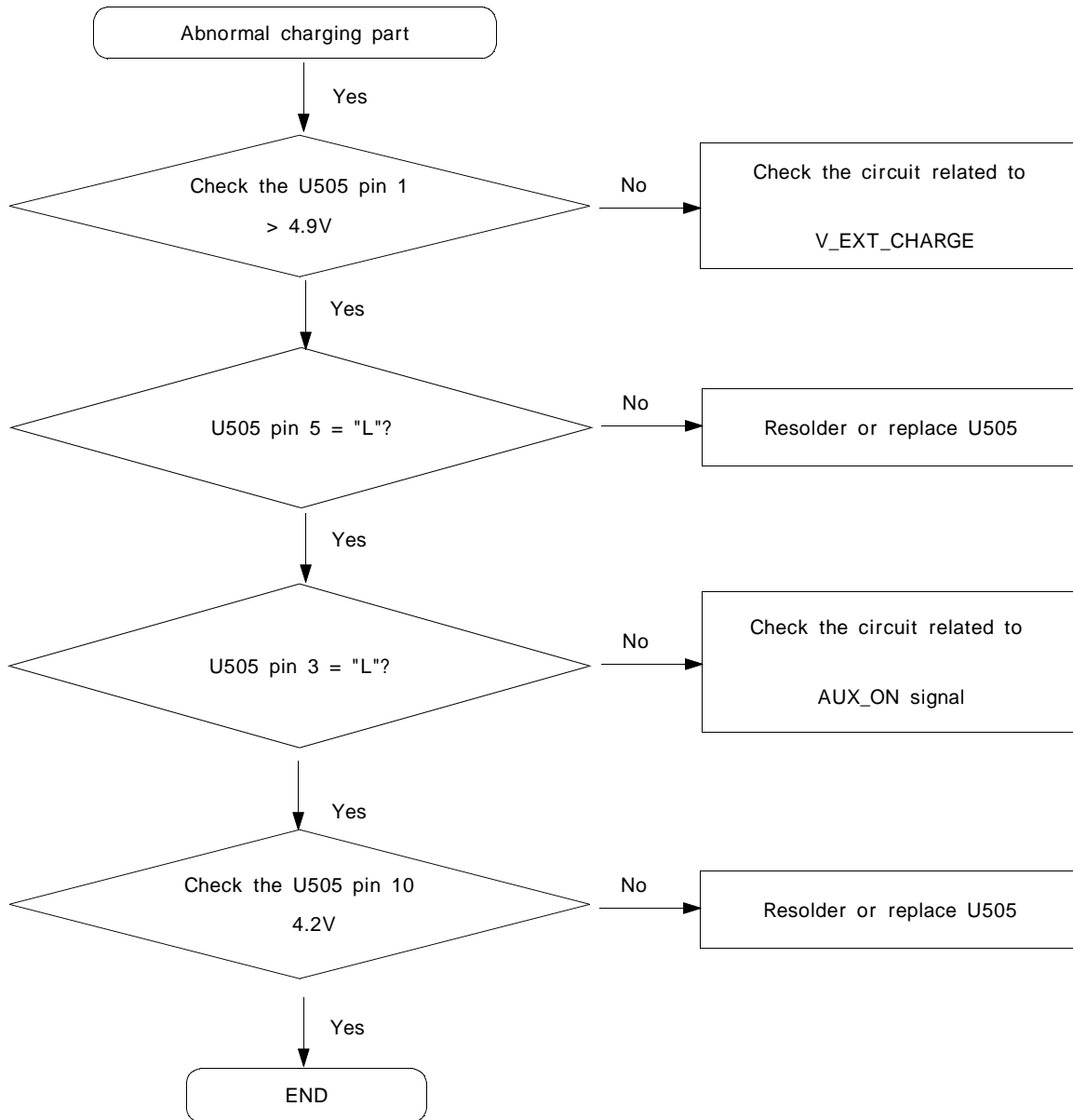


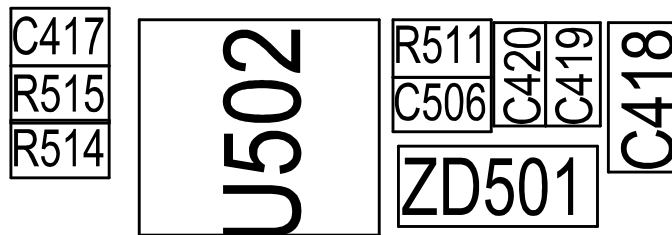
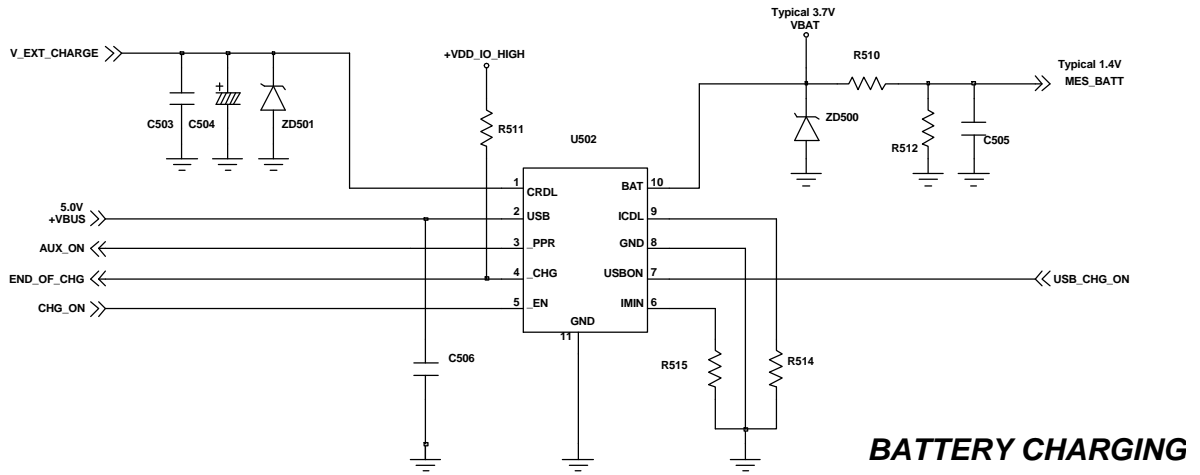
Flow Chart of Troubleshooting



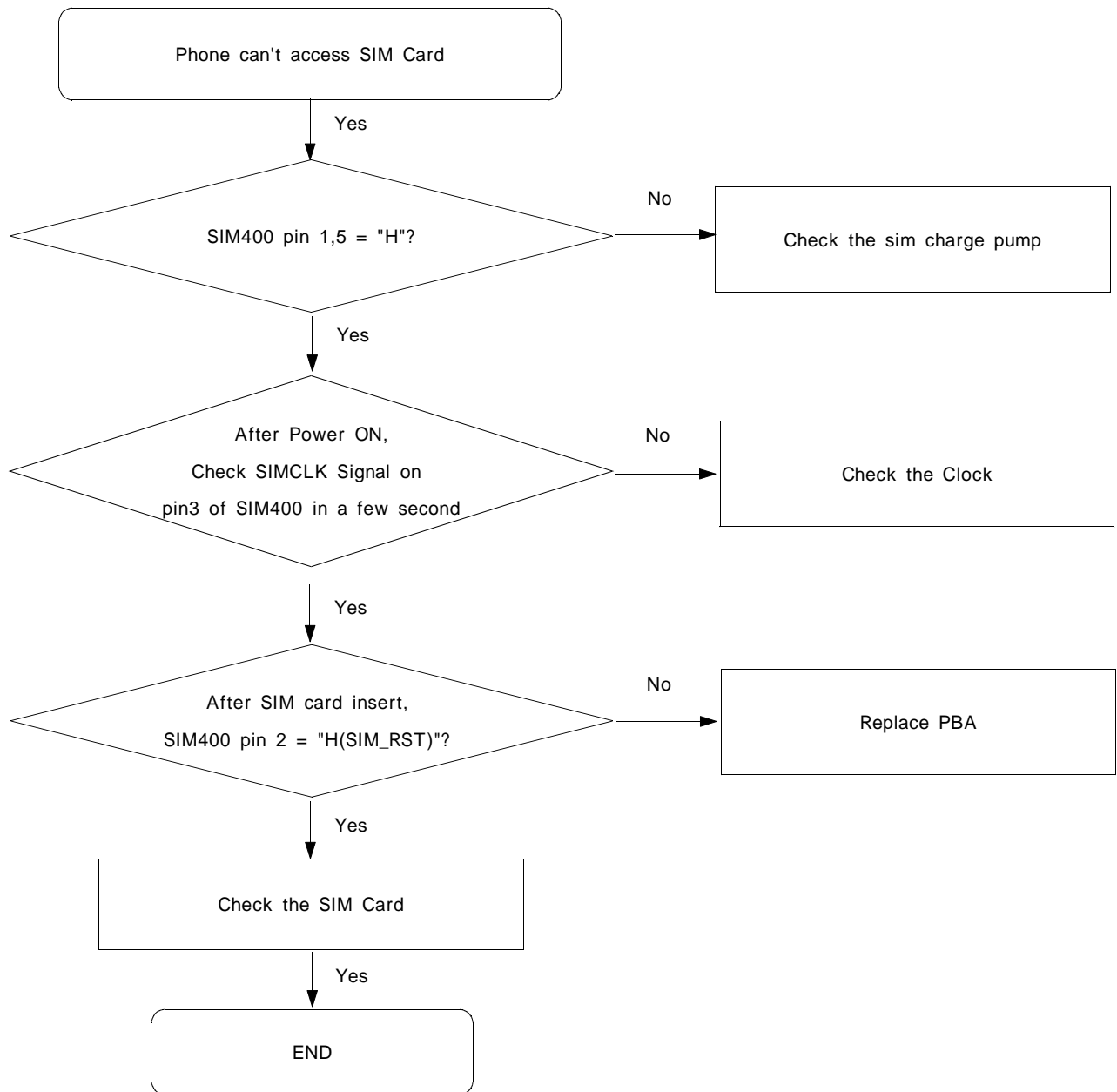


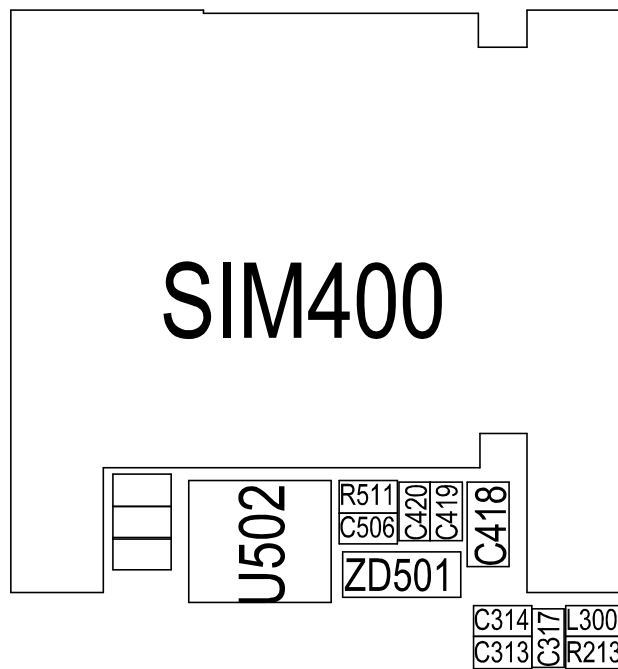
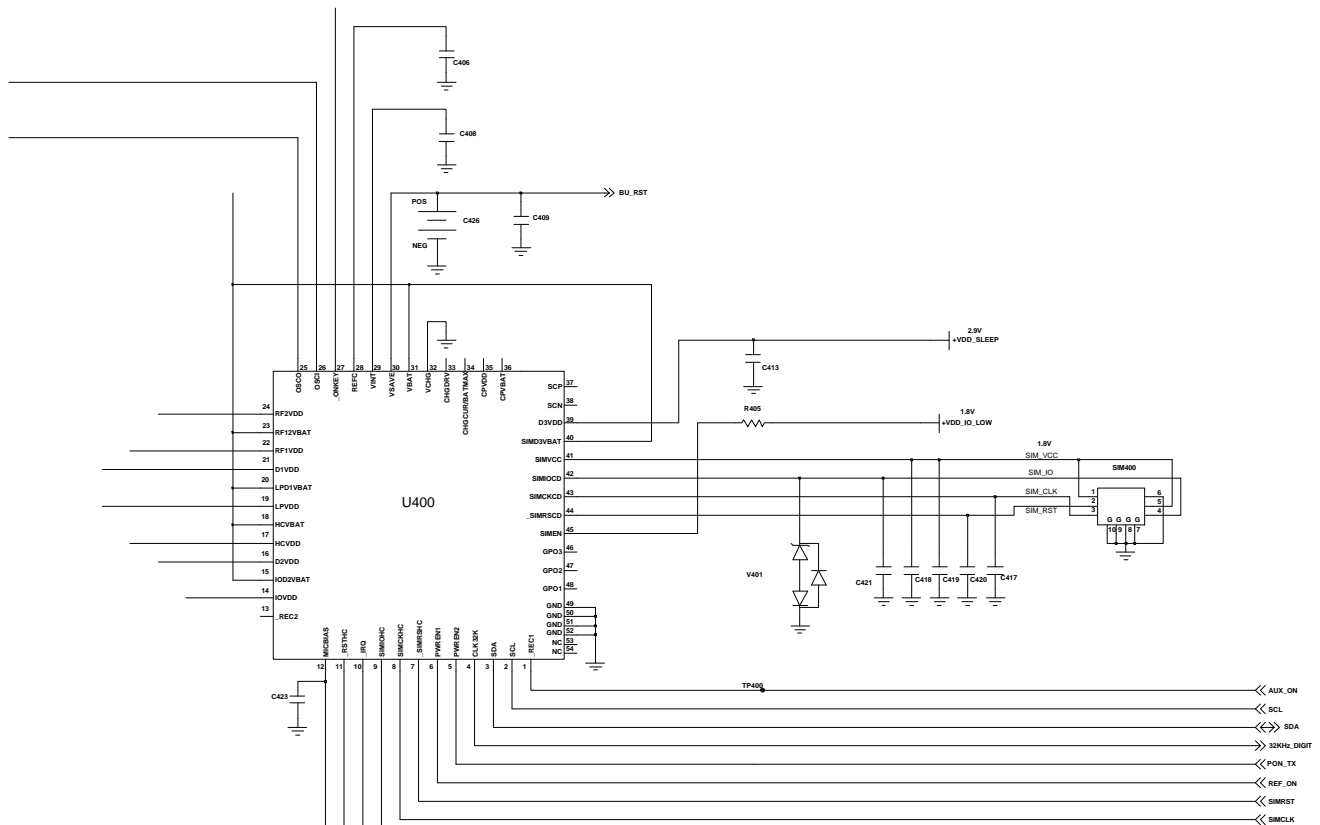
7-3. Charging Part



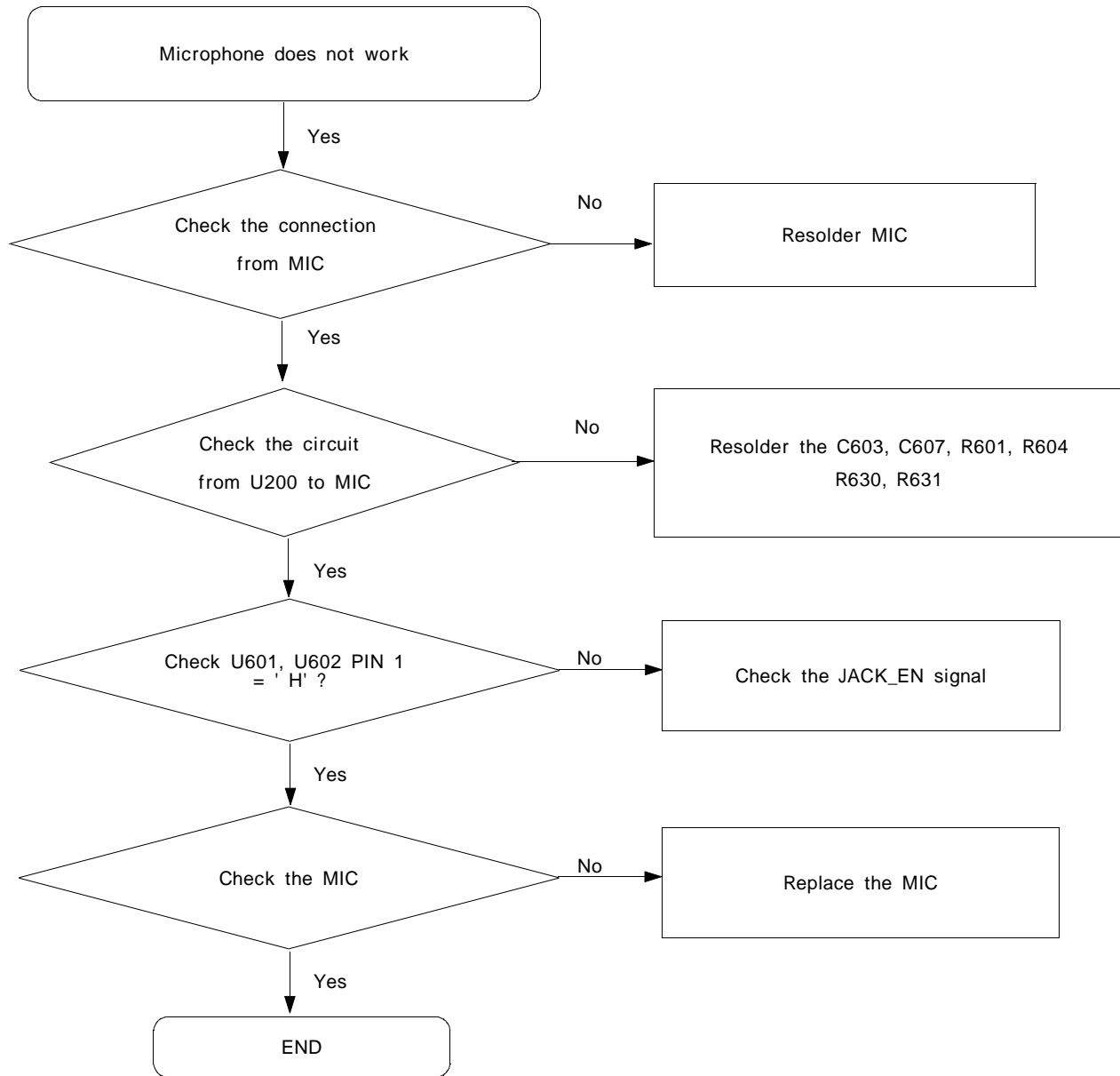


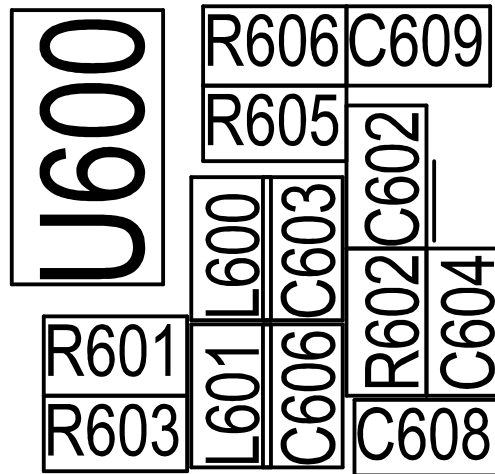
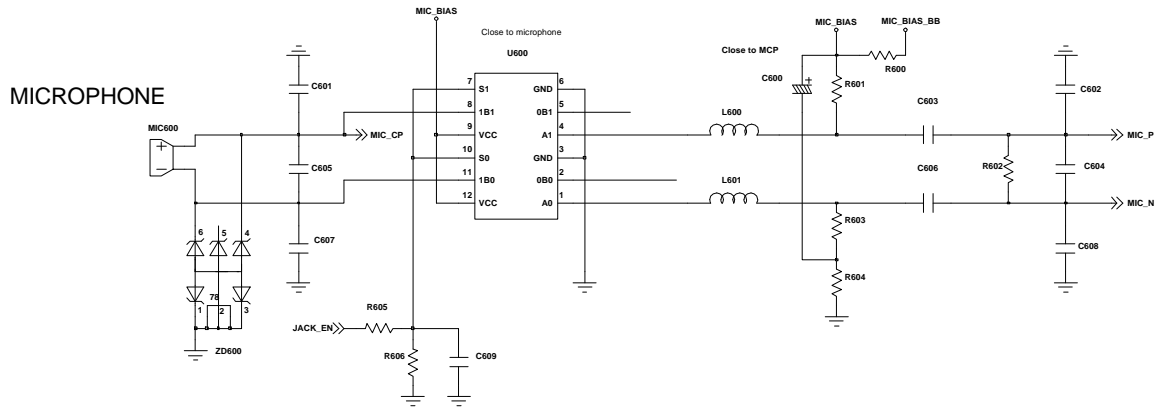
7-4. Sim Part



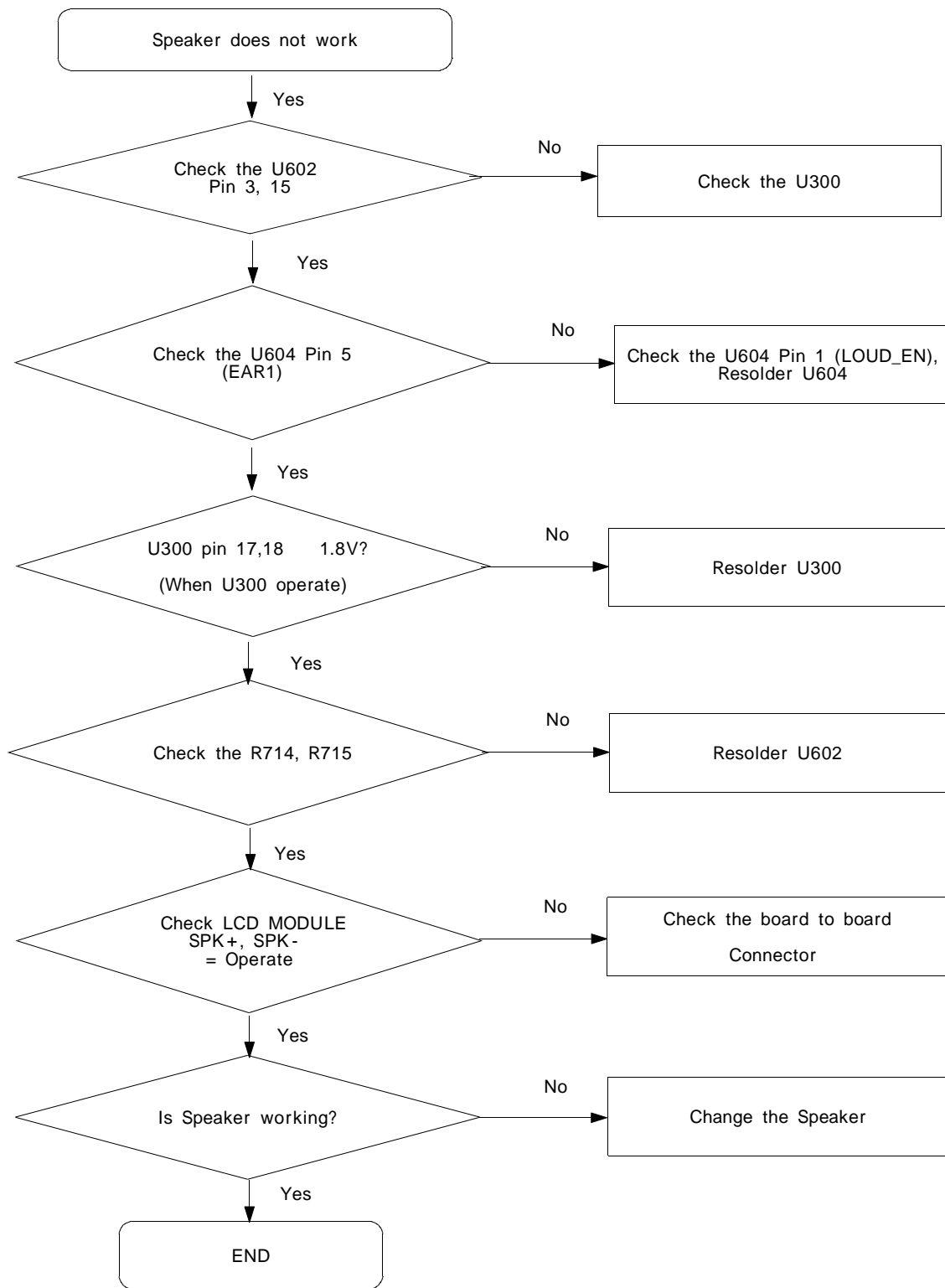


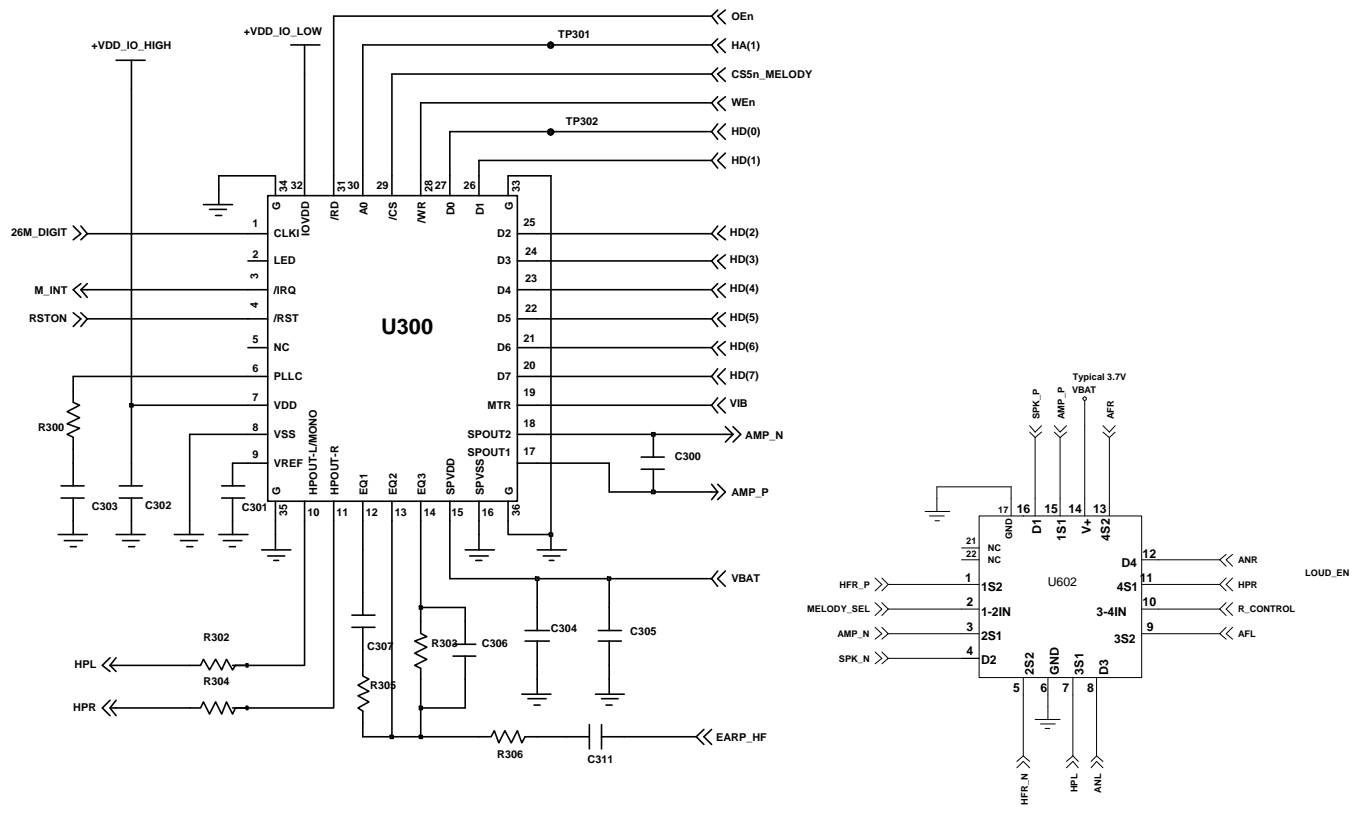
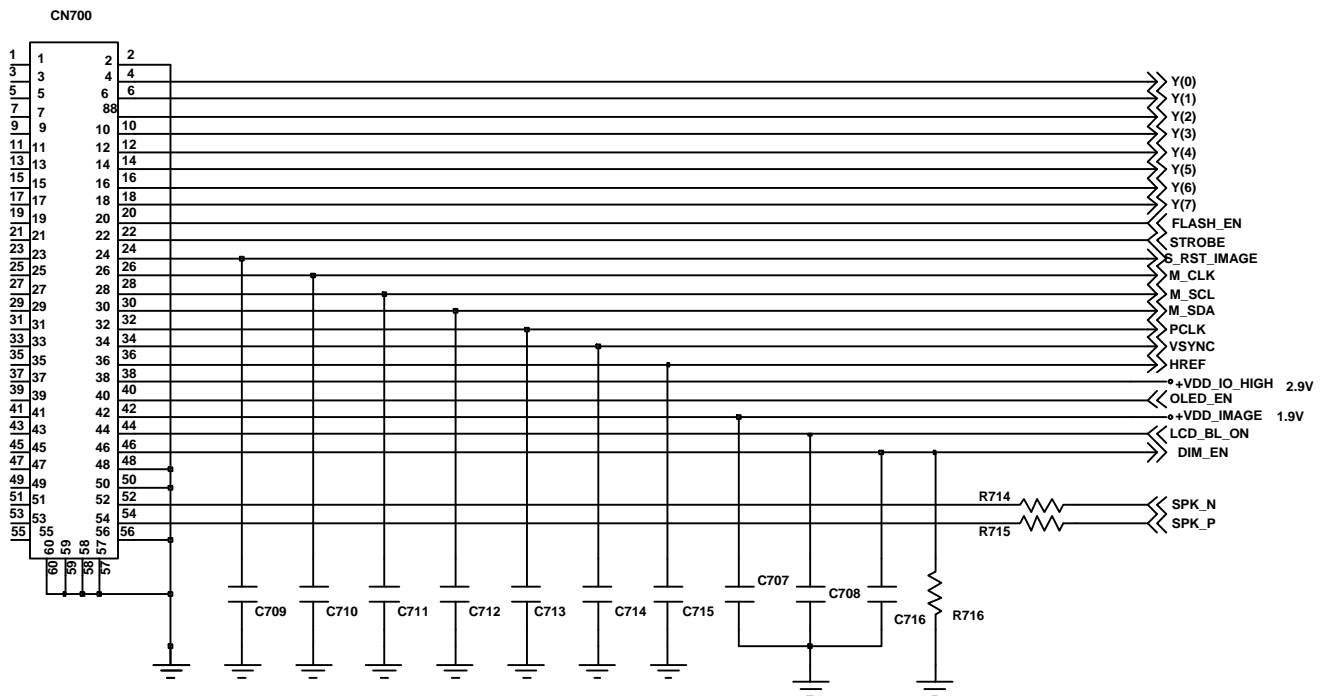
7-5. Microphone Part



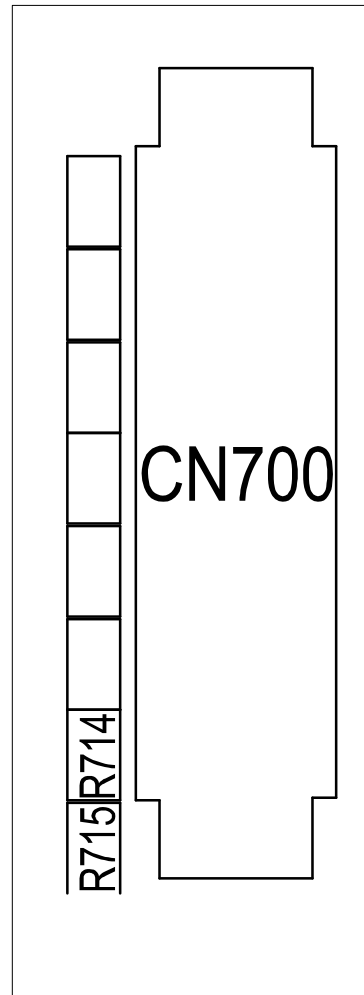
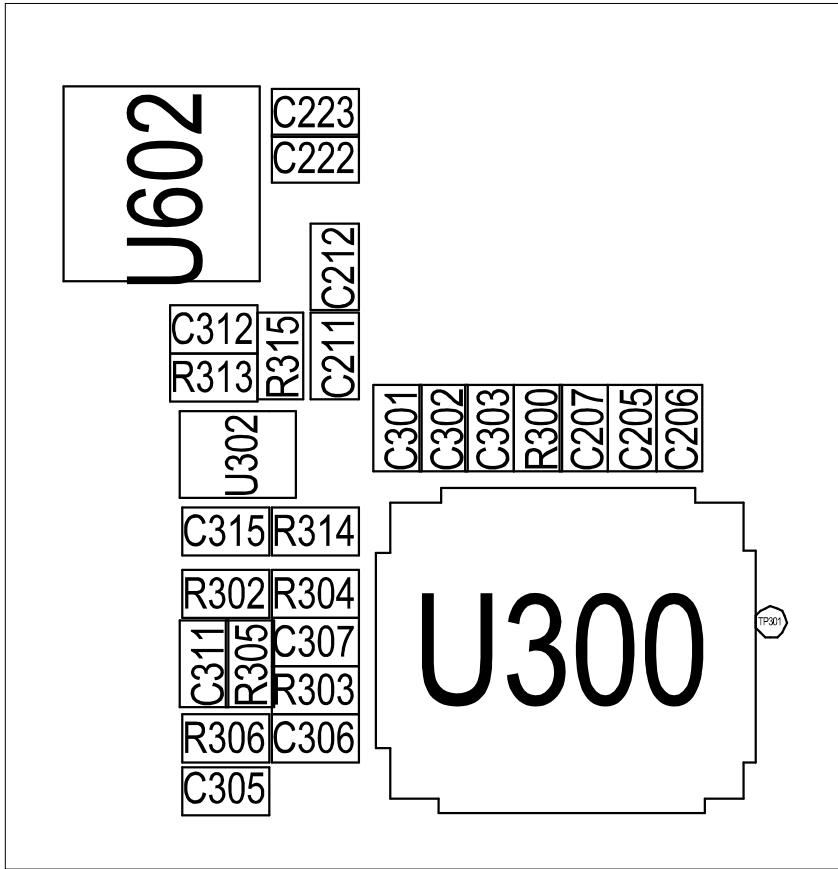


7-6. Speaker Part(Melody)

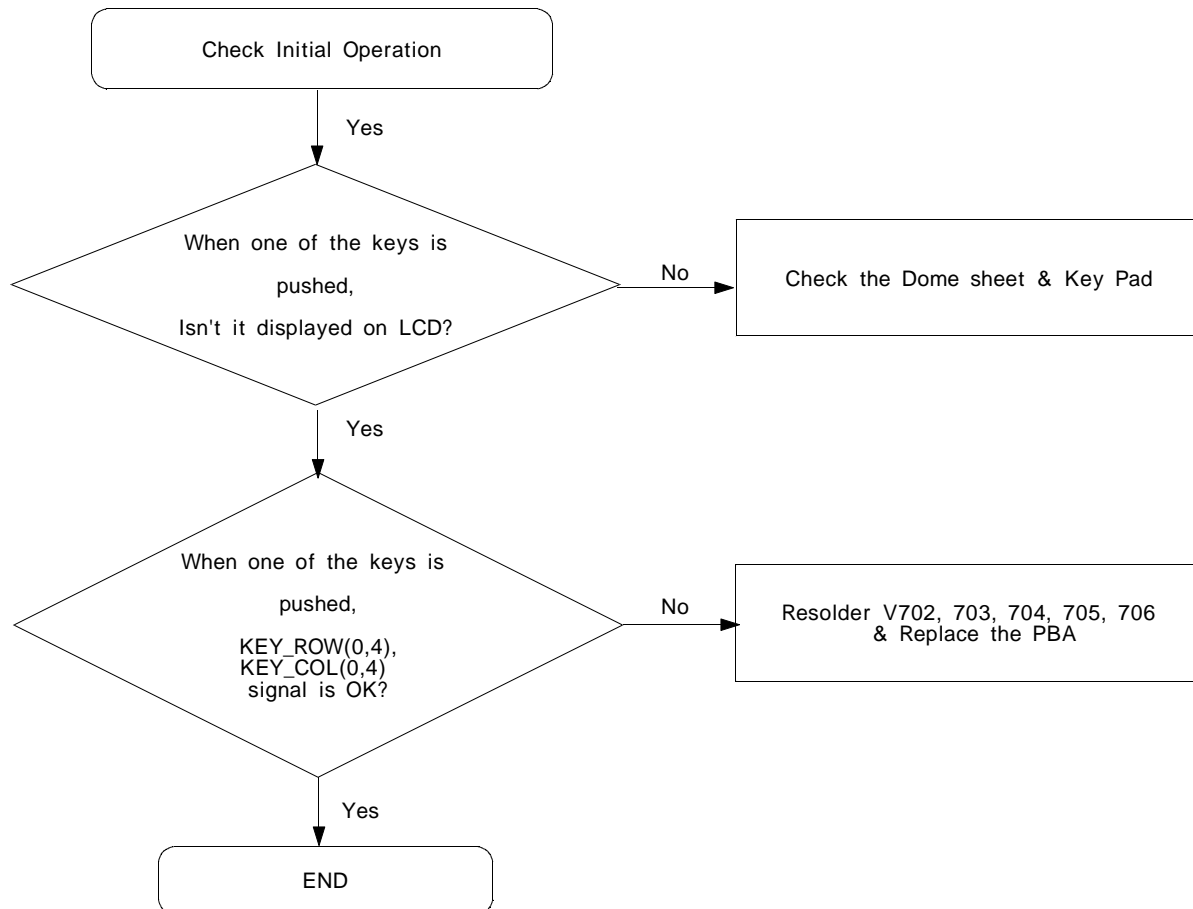


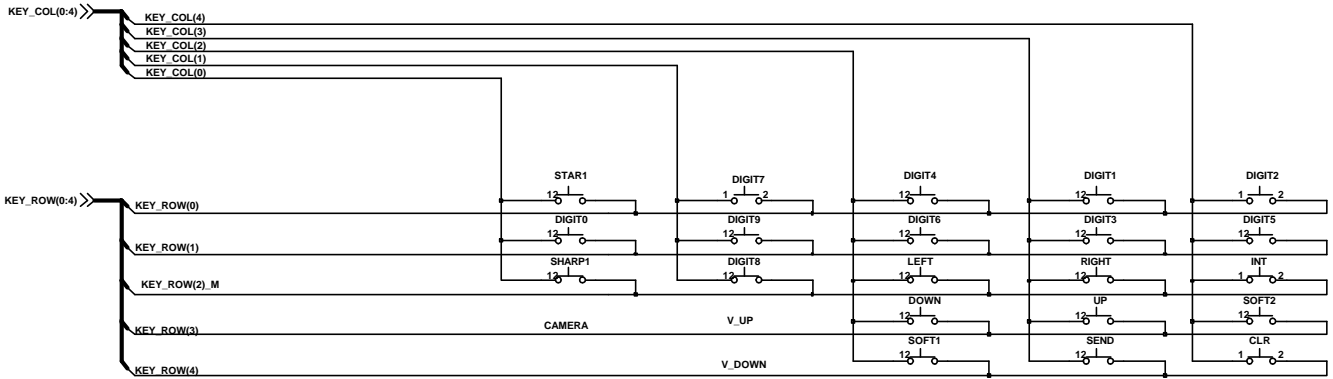


MELODY IC

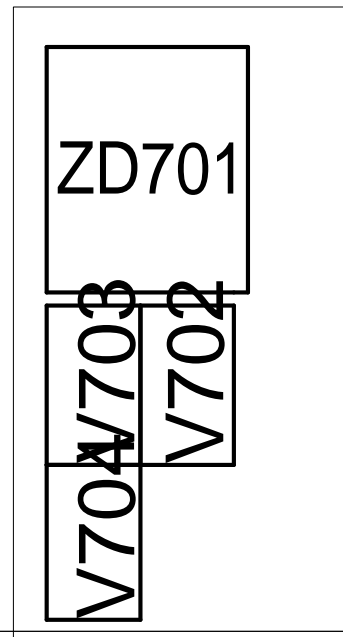
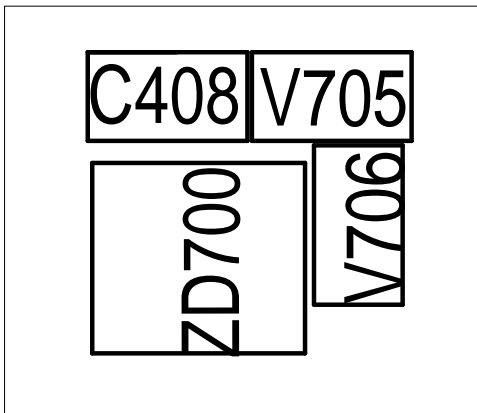
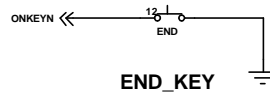
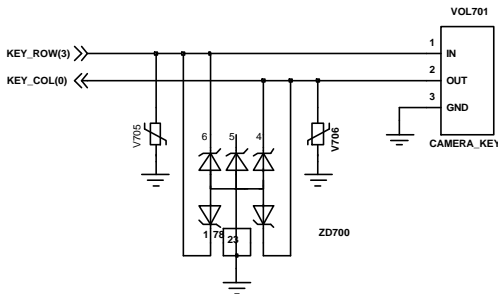
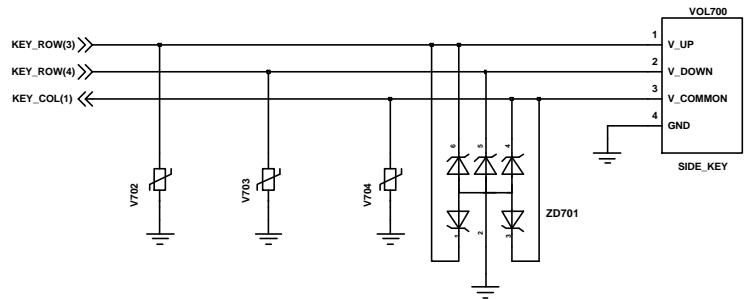
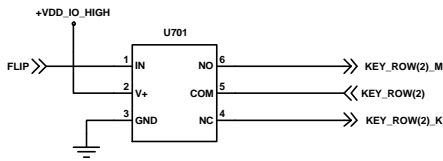


7-7. Key Data Input

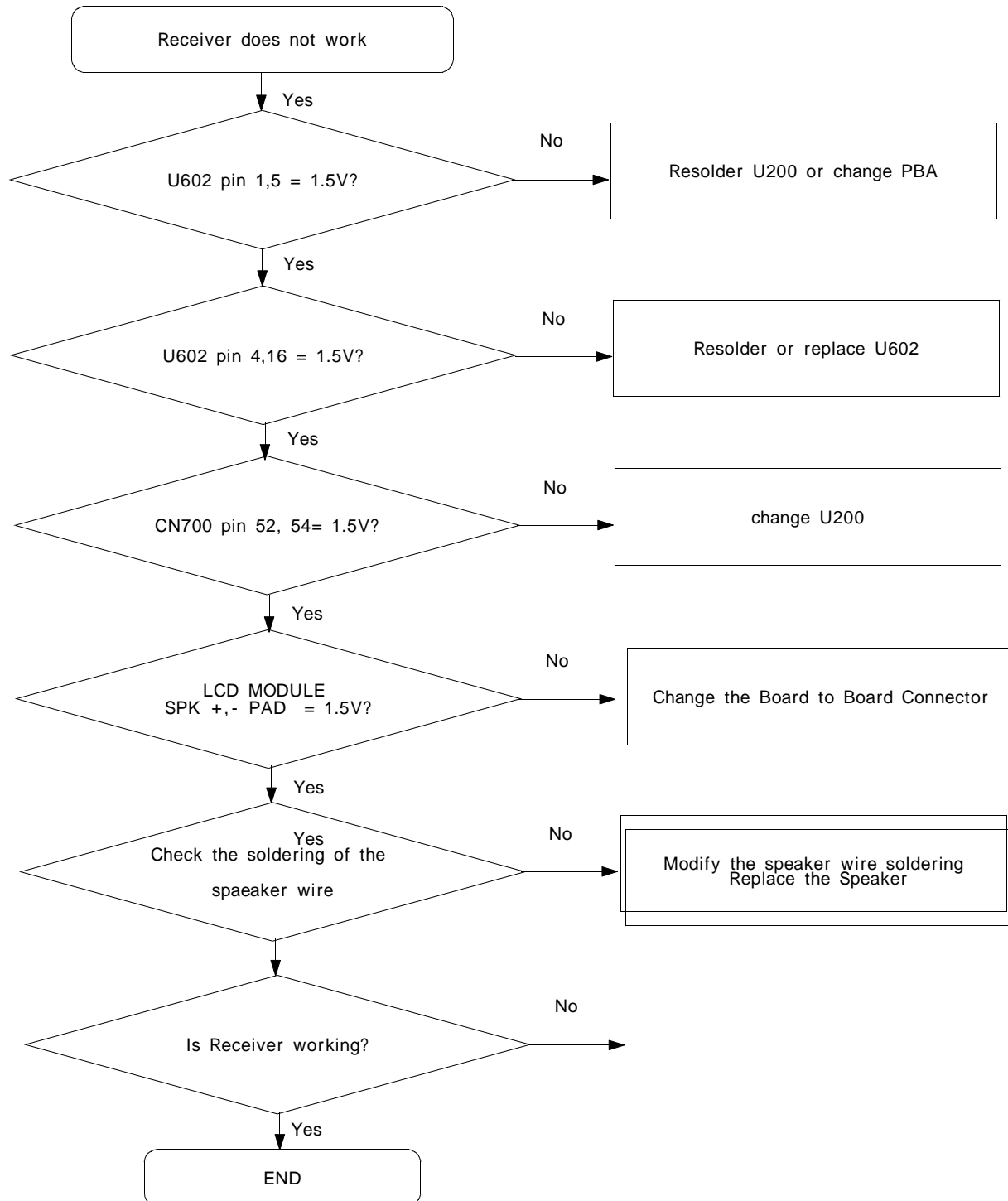


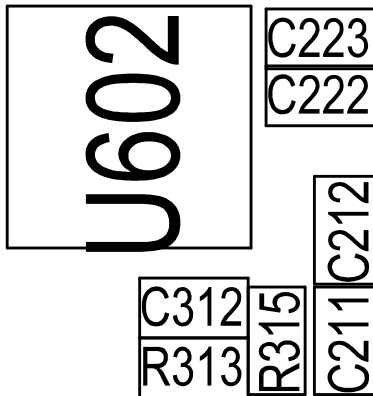
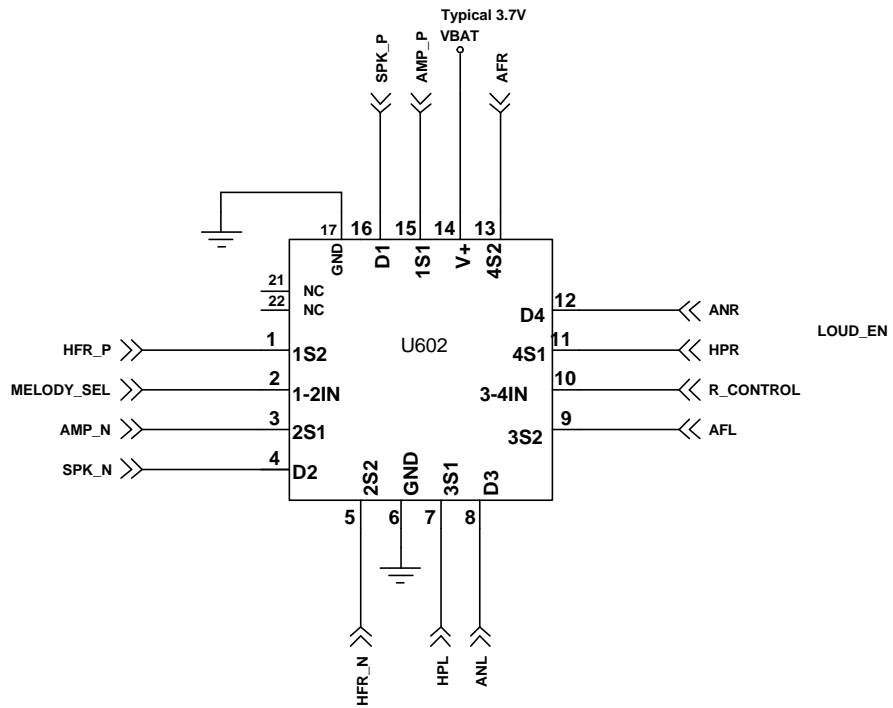


KEY_MAP

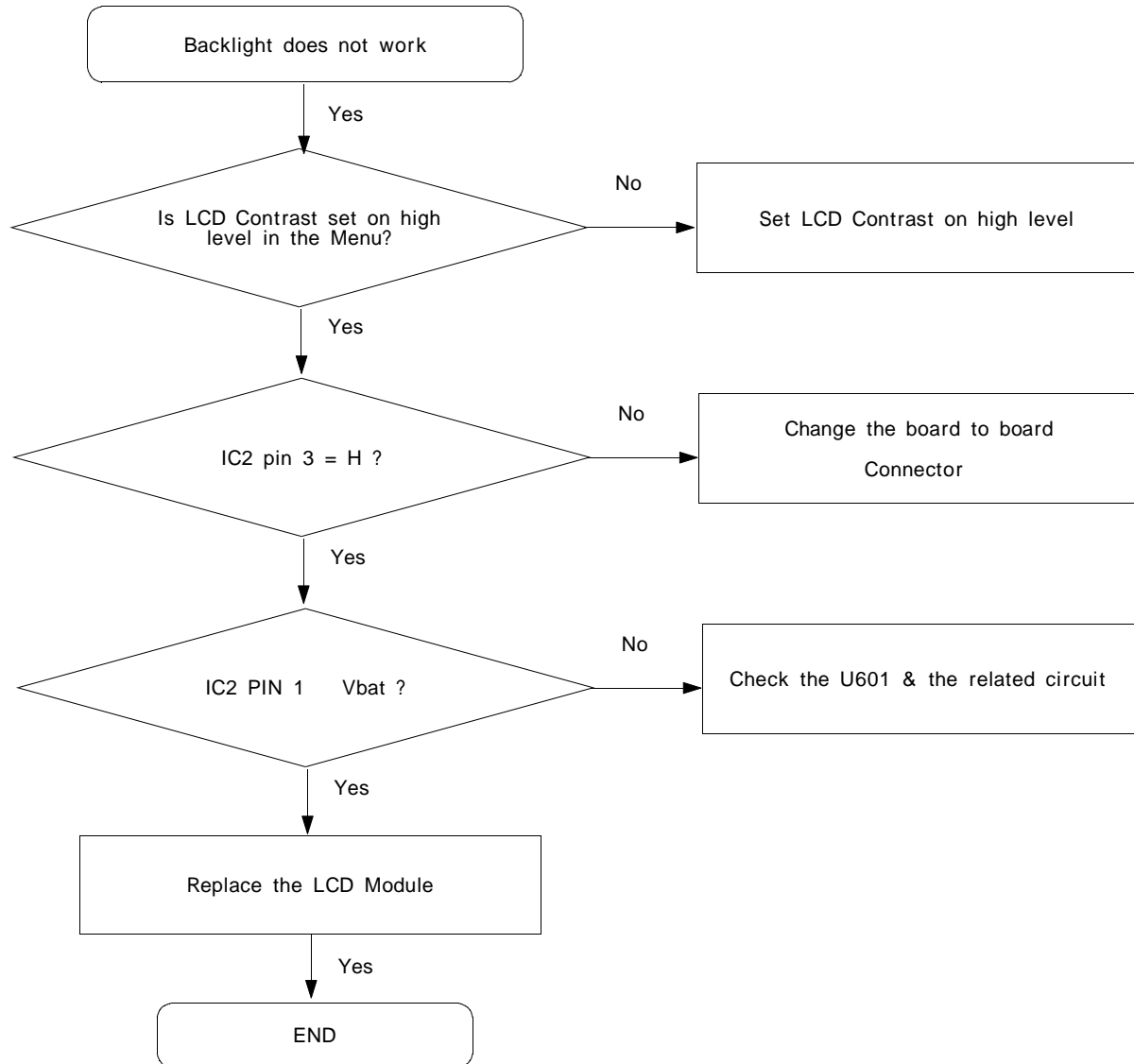


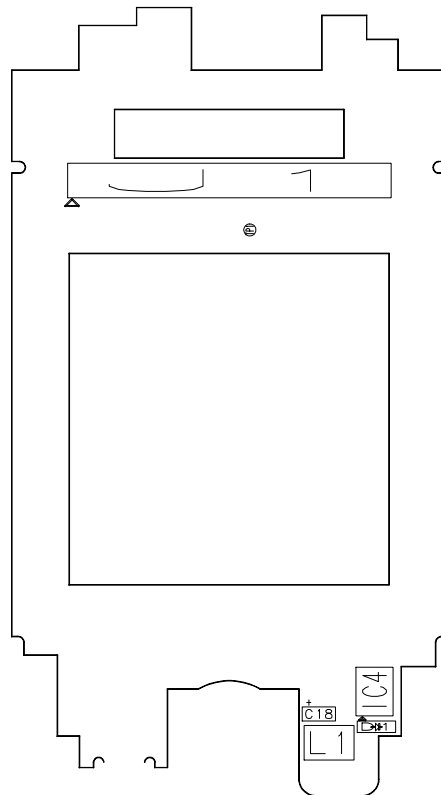
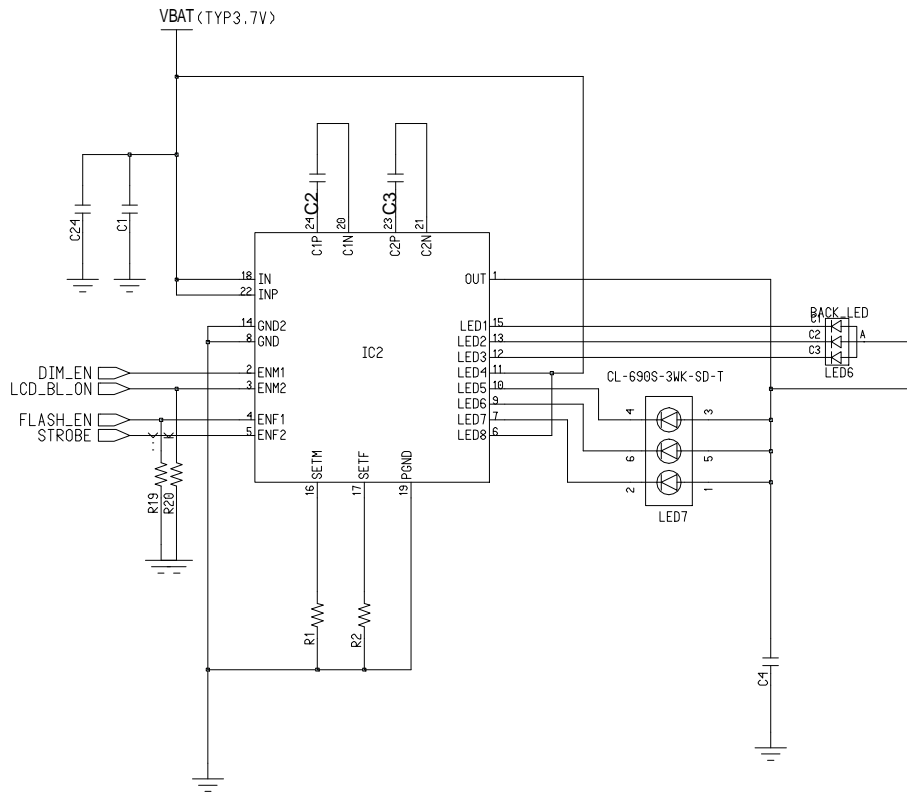
7-8. Receiver Part



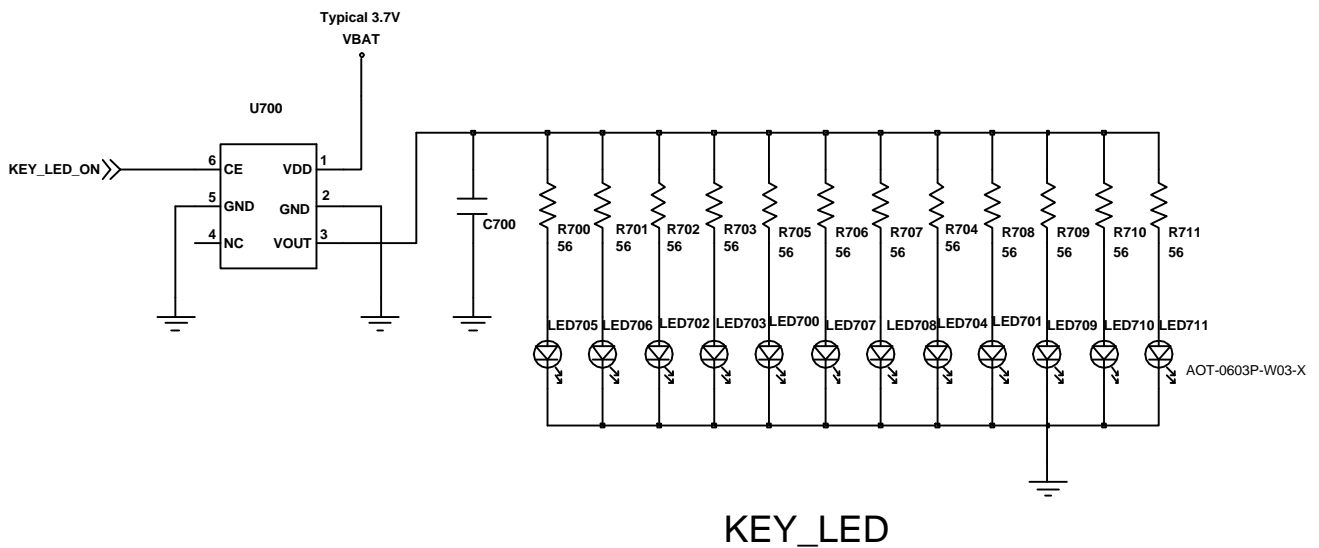
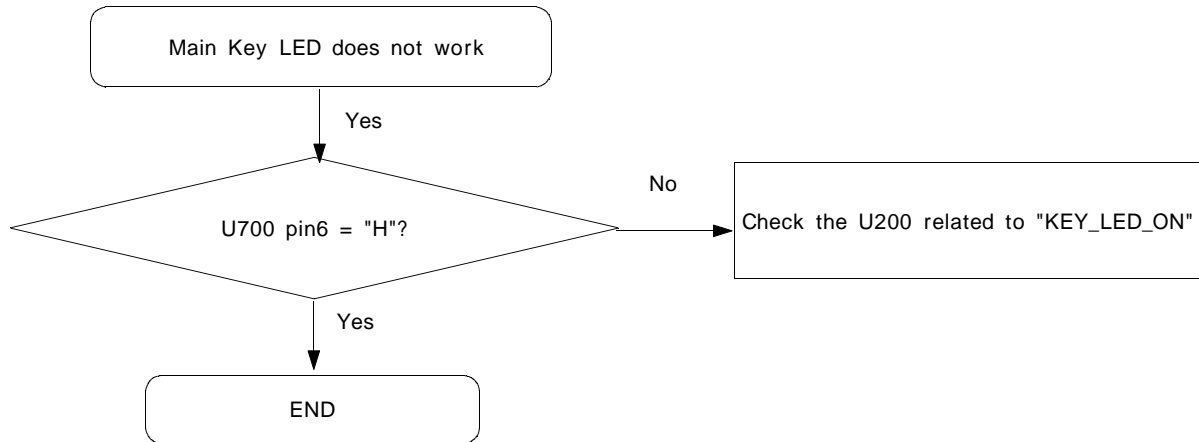


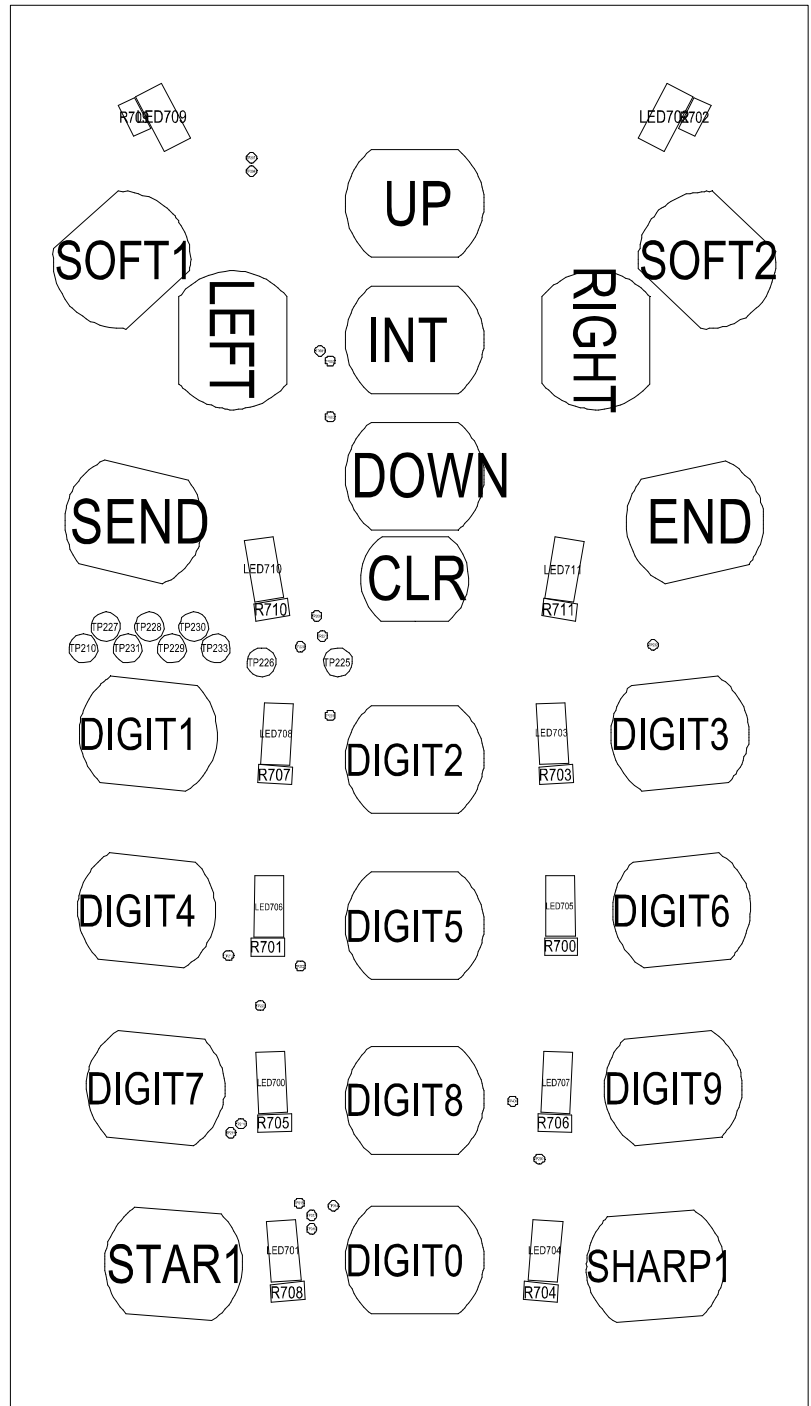
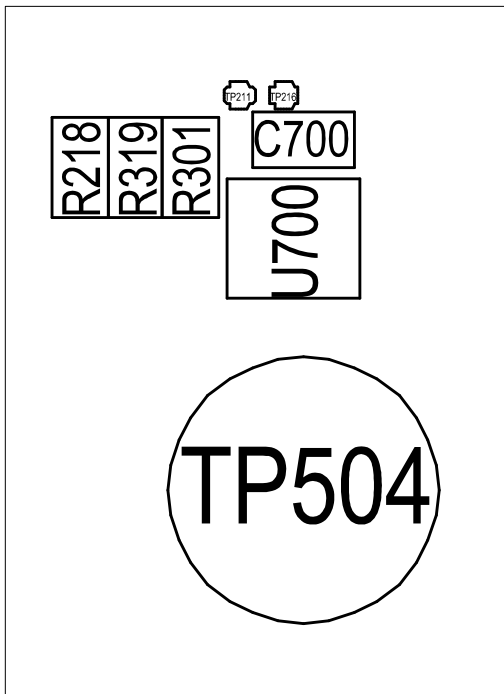
7-9. Back Light (for Color Main LCD)



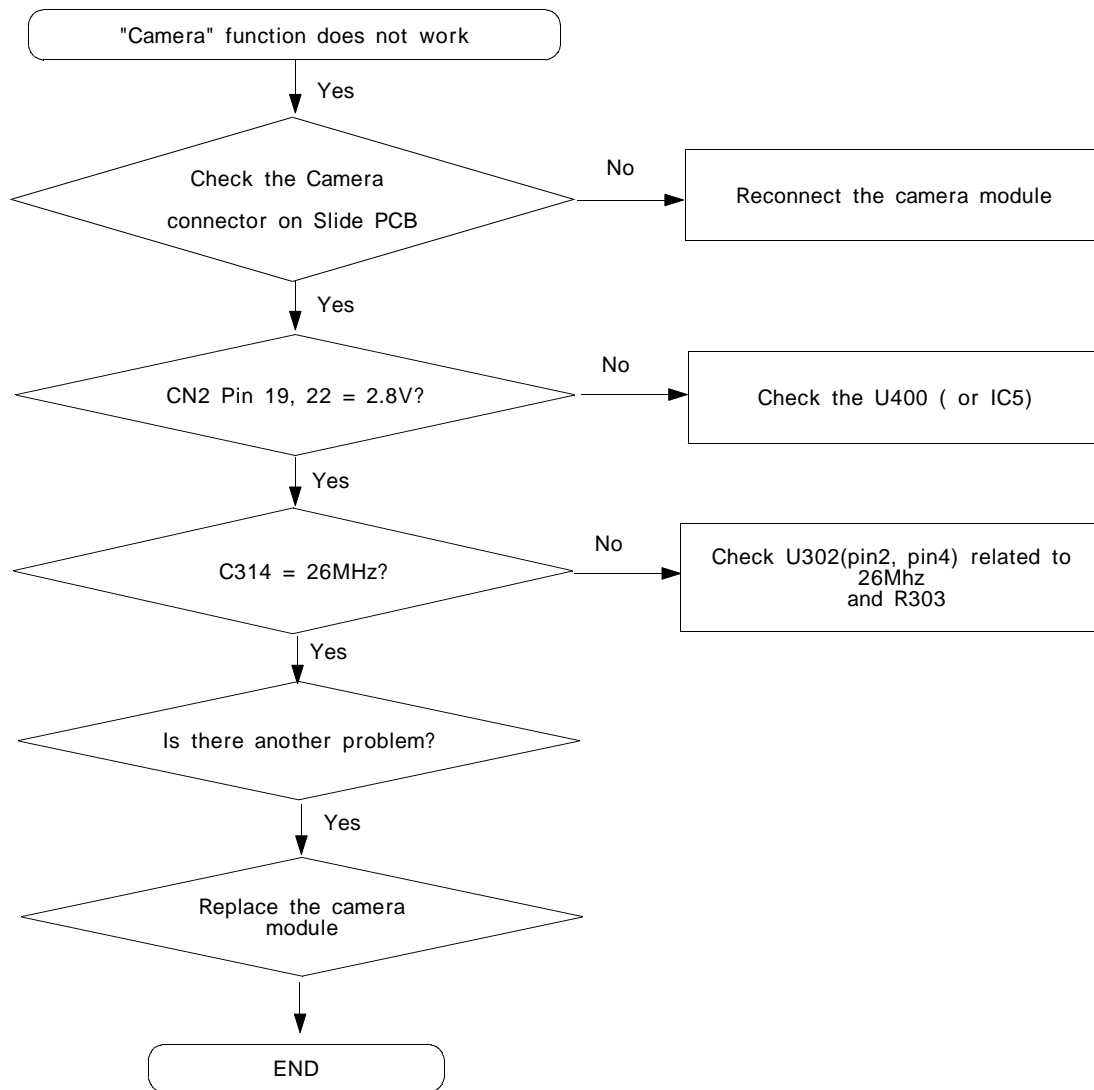


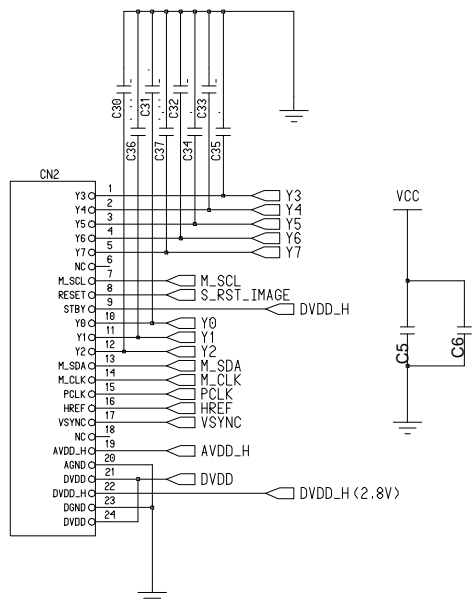
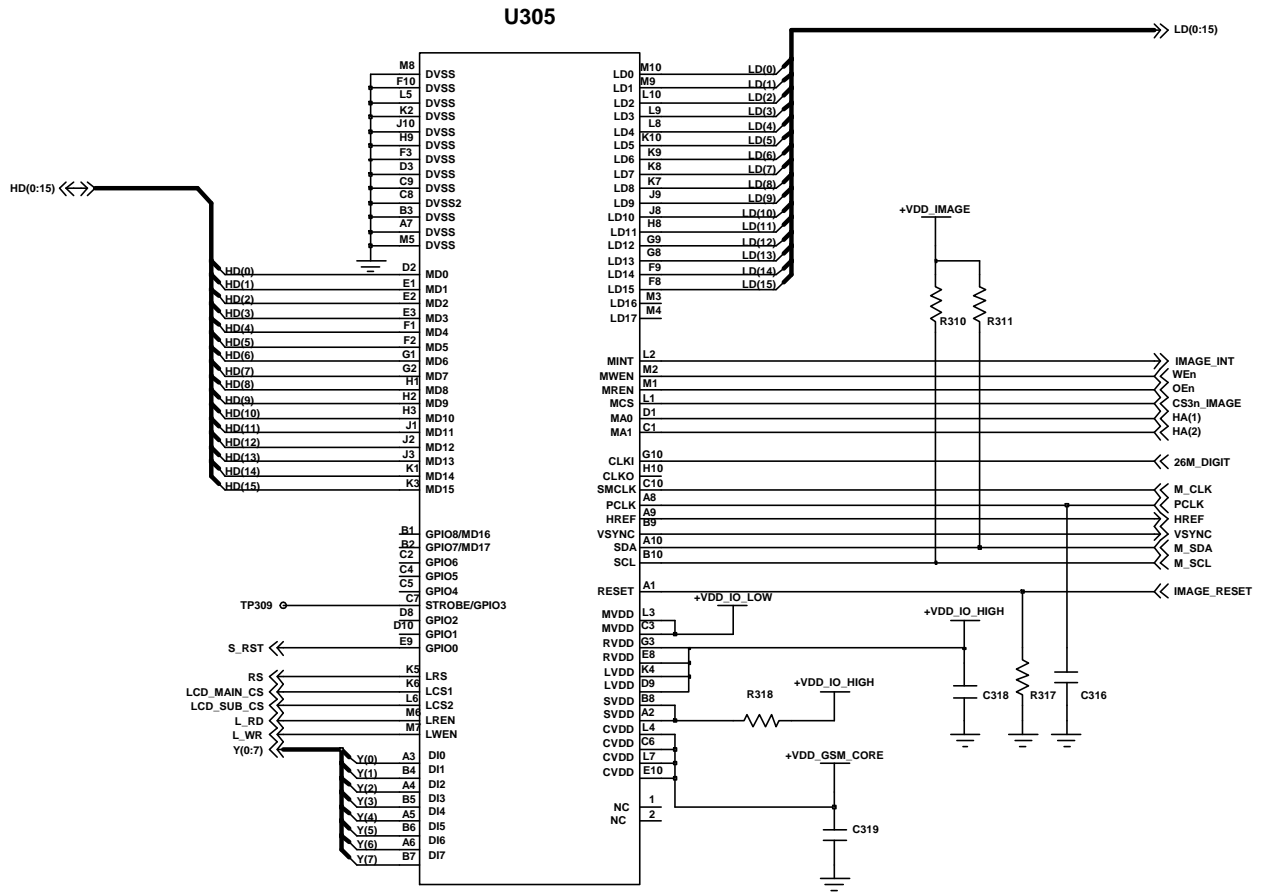
7-10. Key Back Light

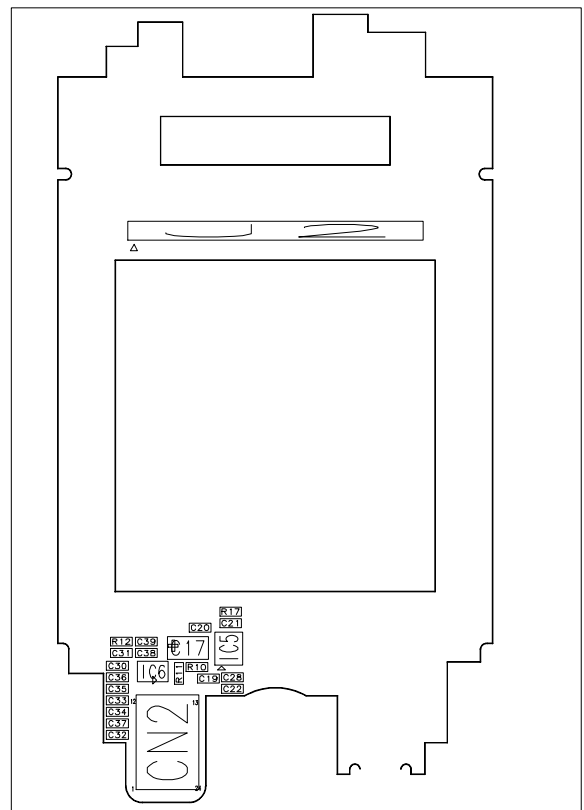
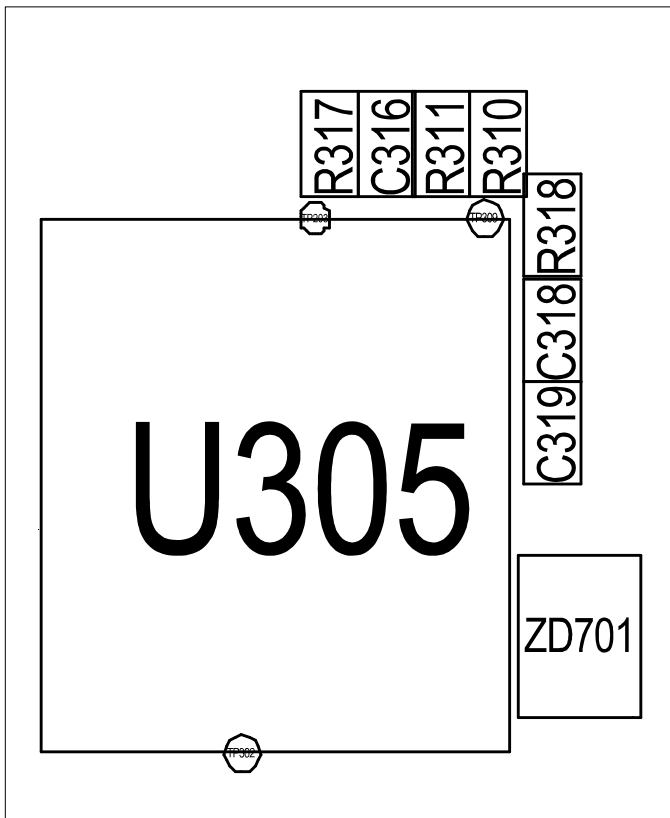




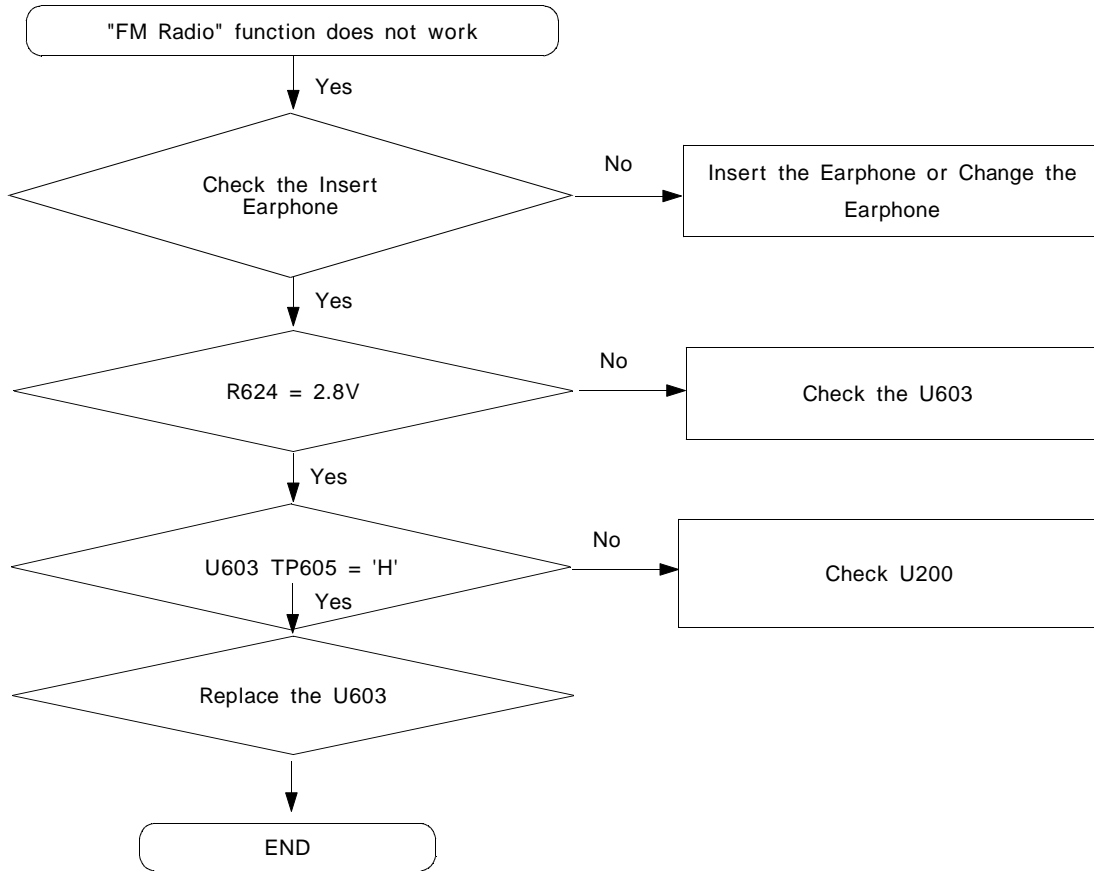
7-11. Camera part

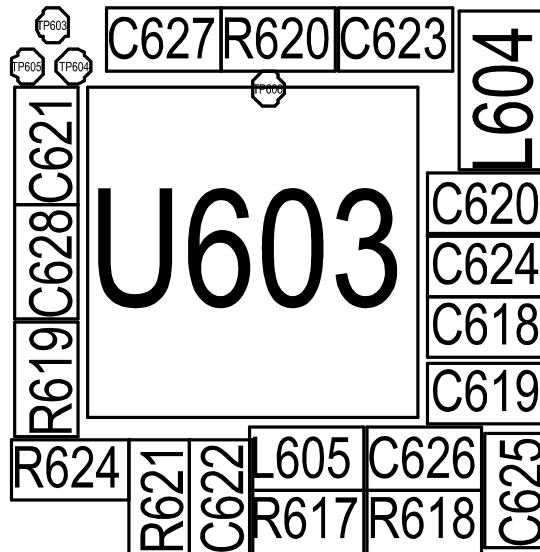
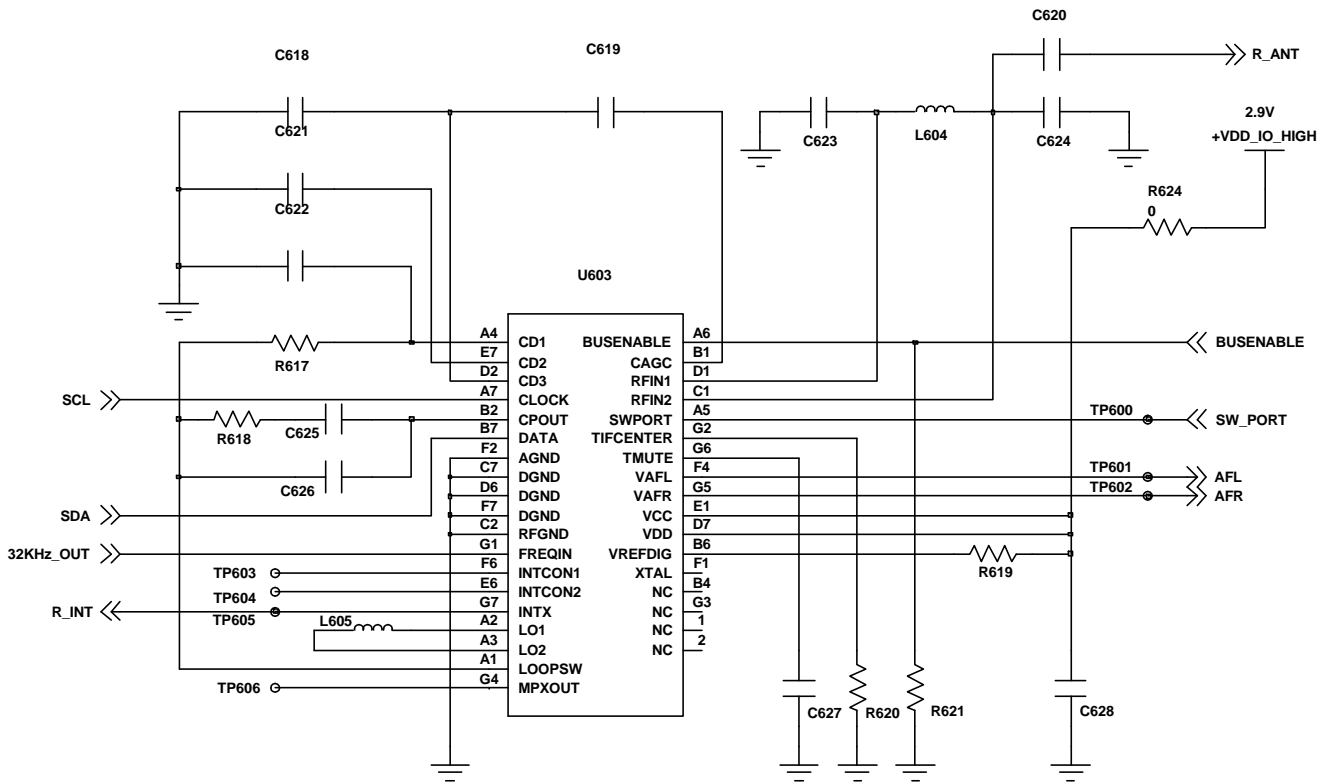




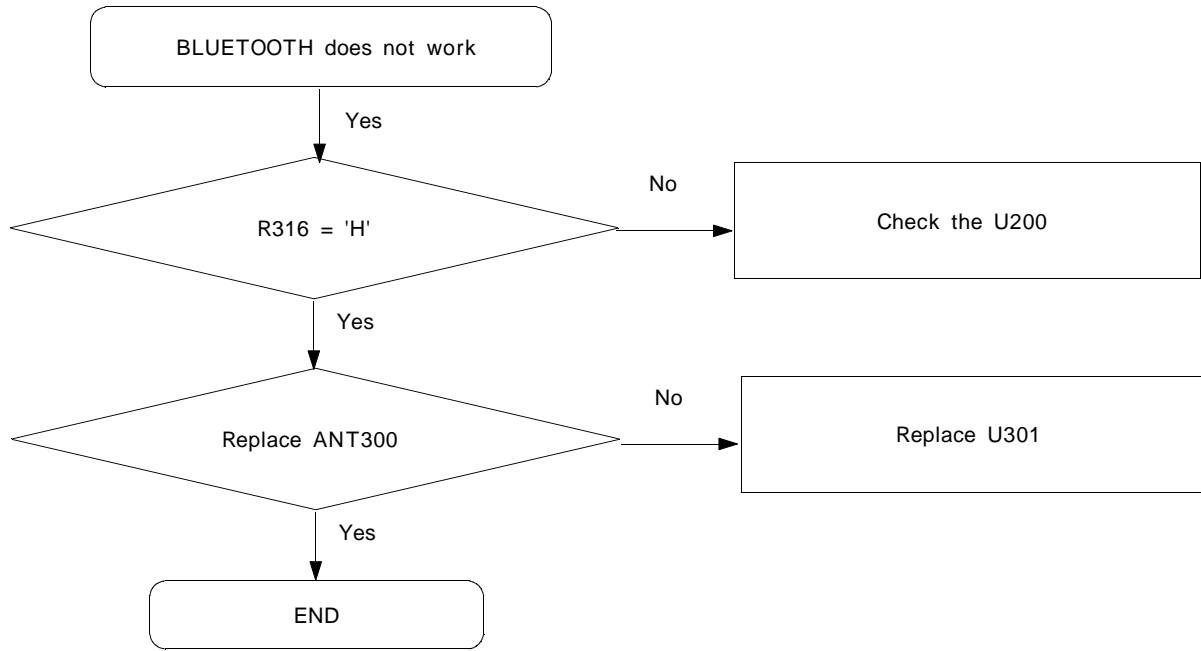


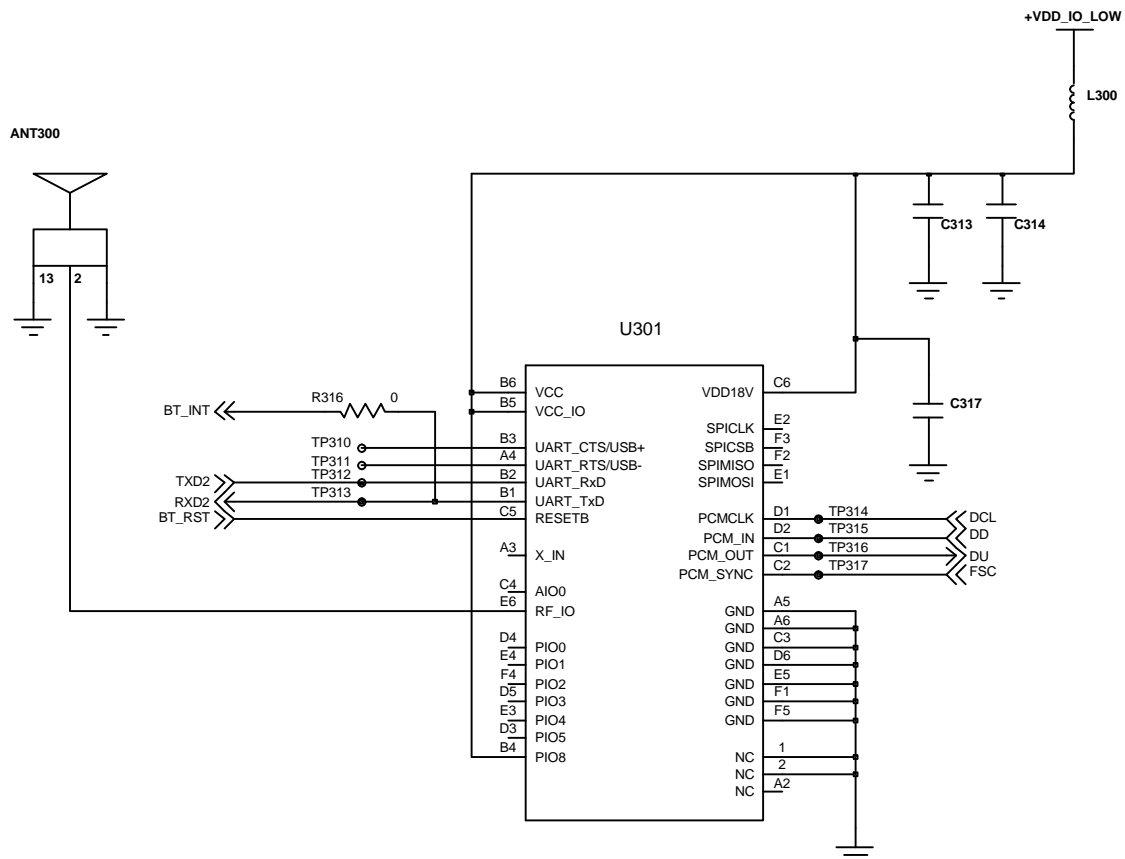
7-12. FM RADIO



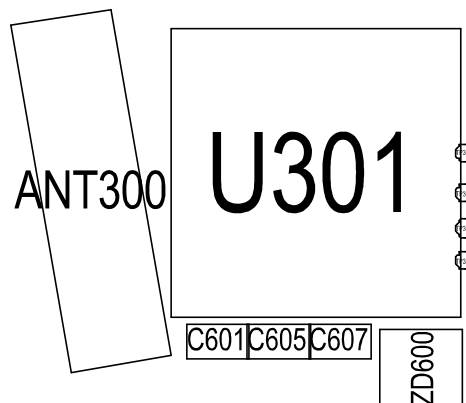


7-13. BLUETOOTH

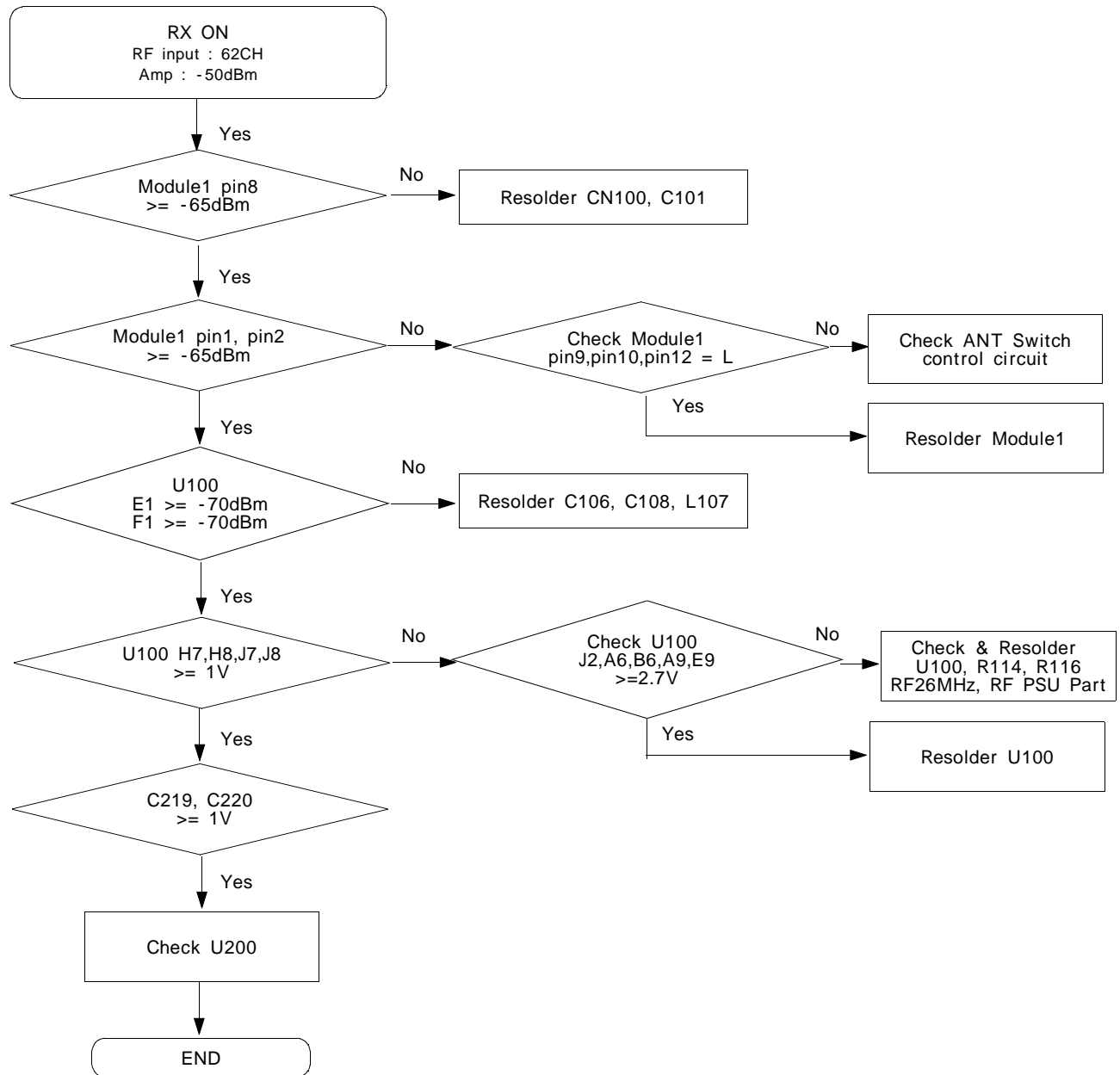




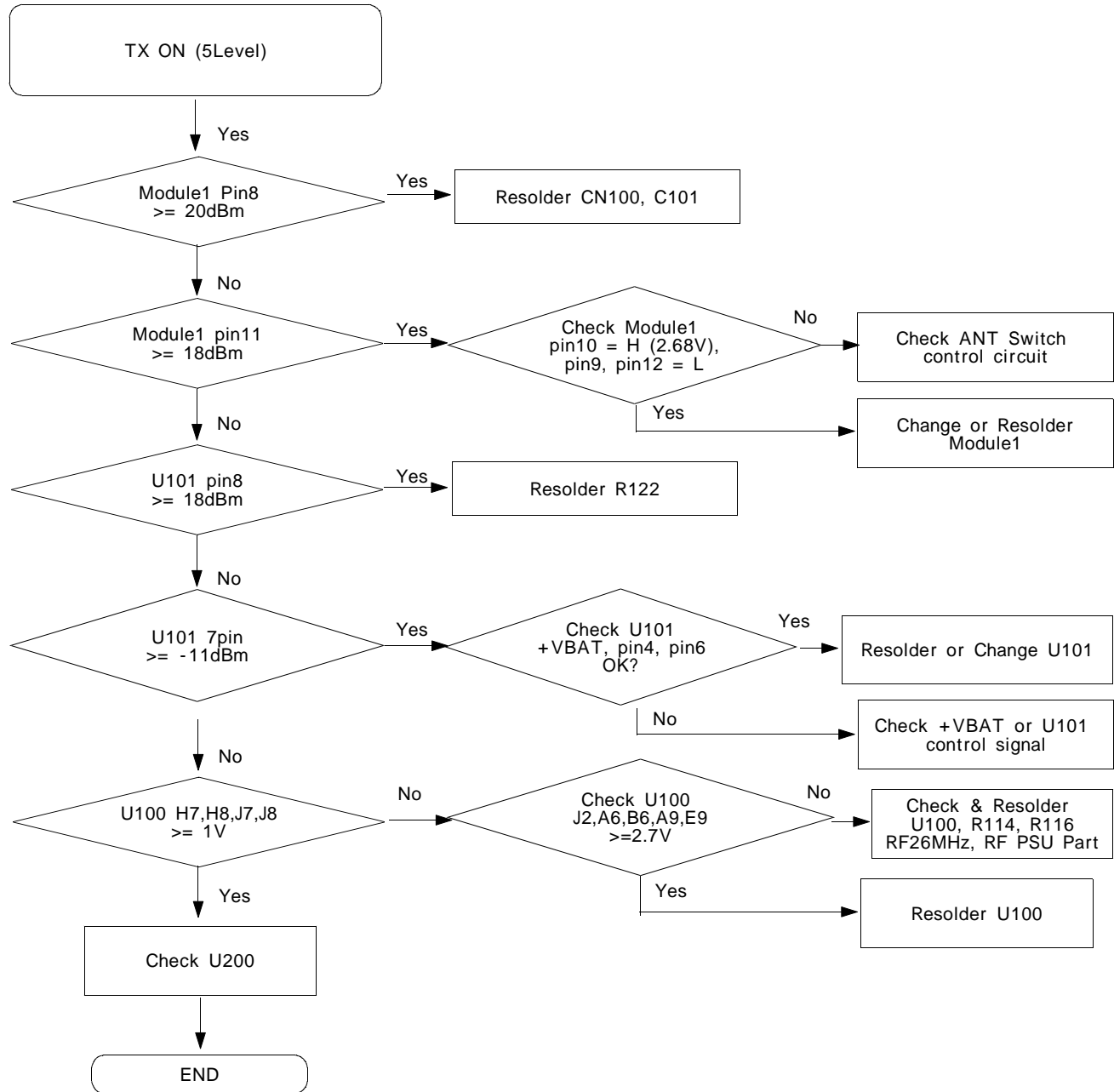
BLUE TOOTH



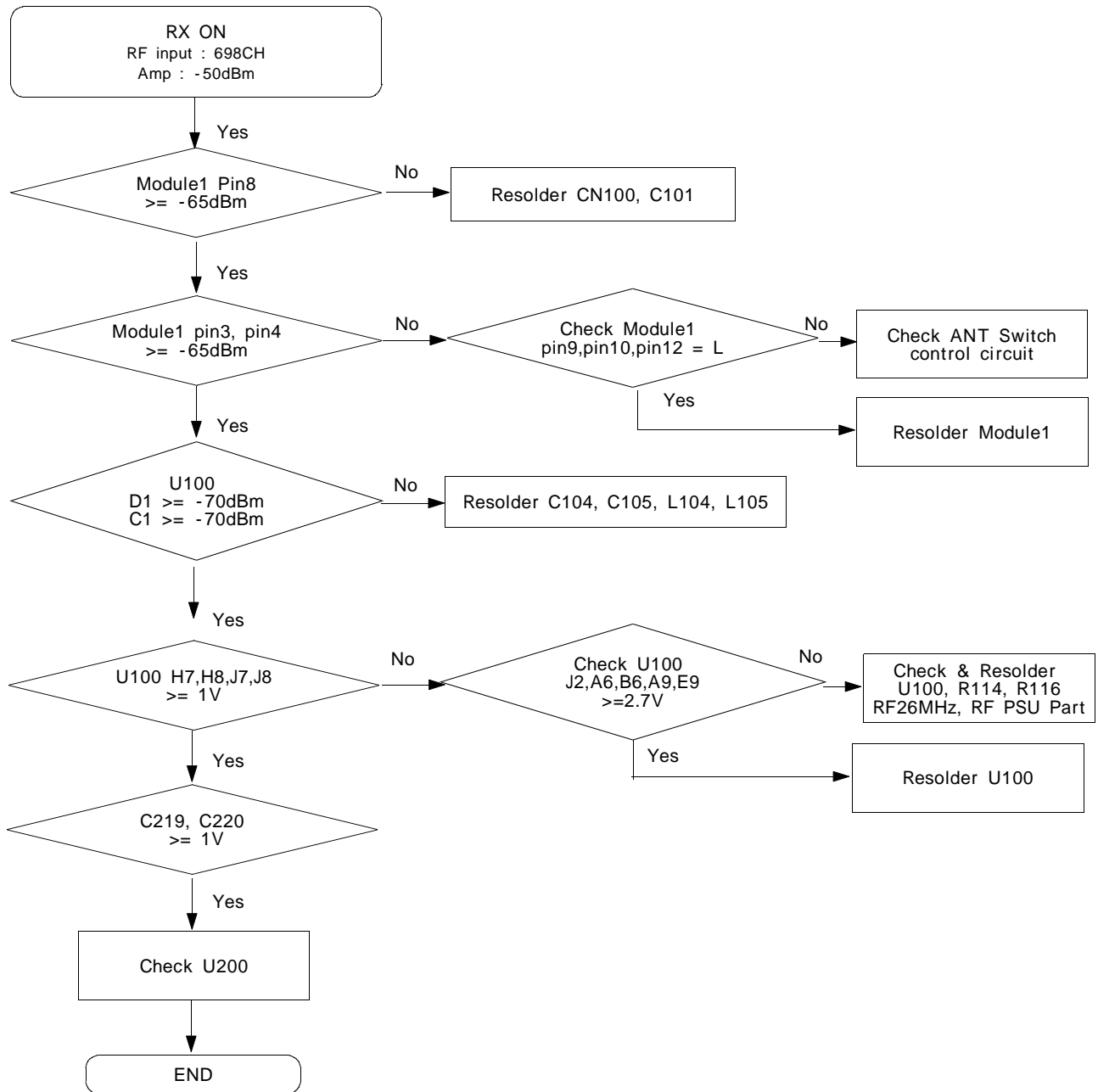
7-14. GSM Receiver



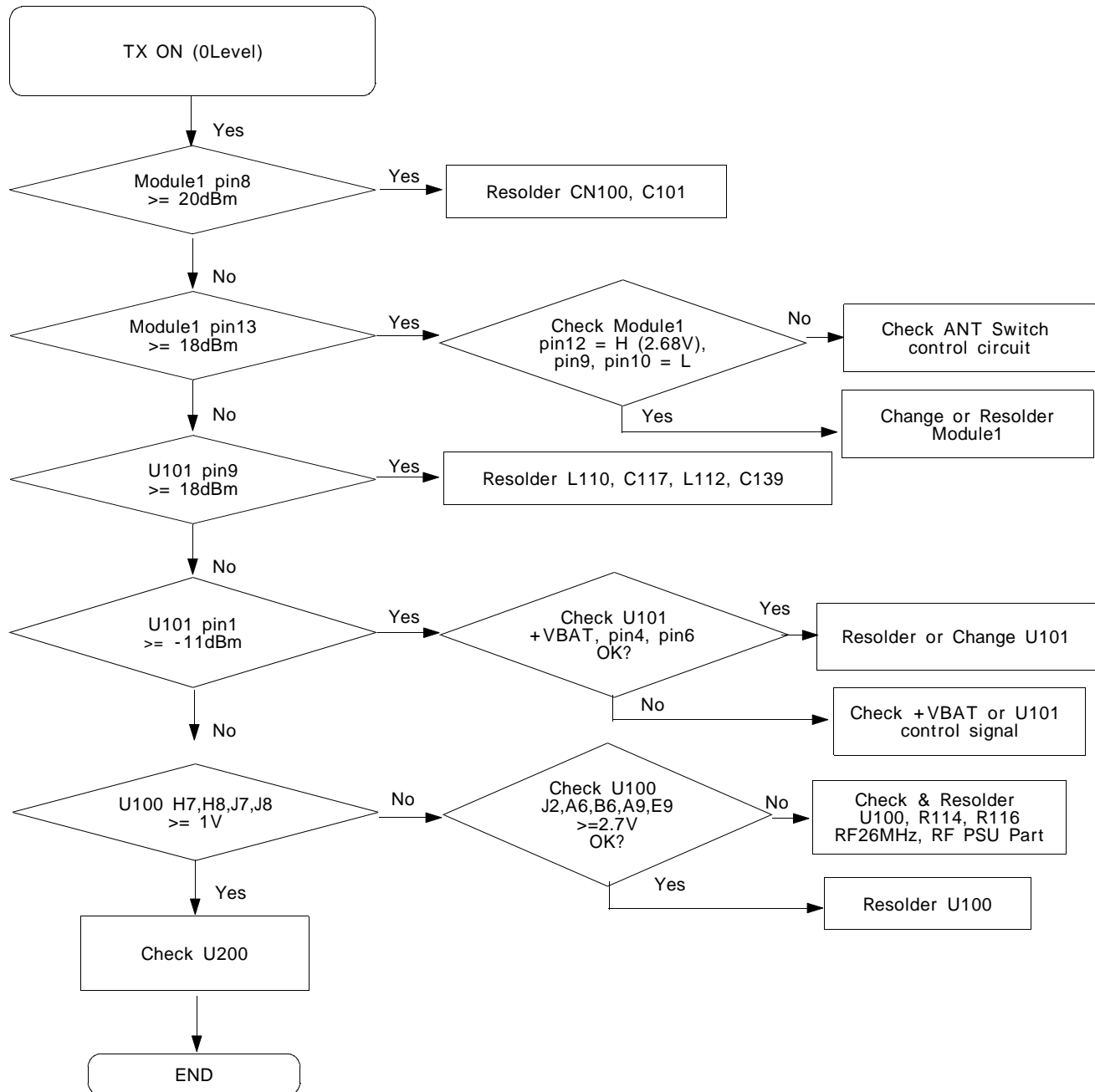
7-15. GSM Transmitter



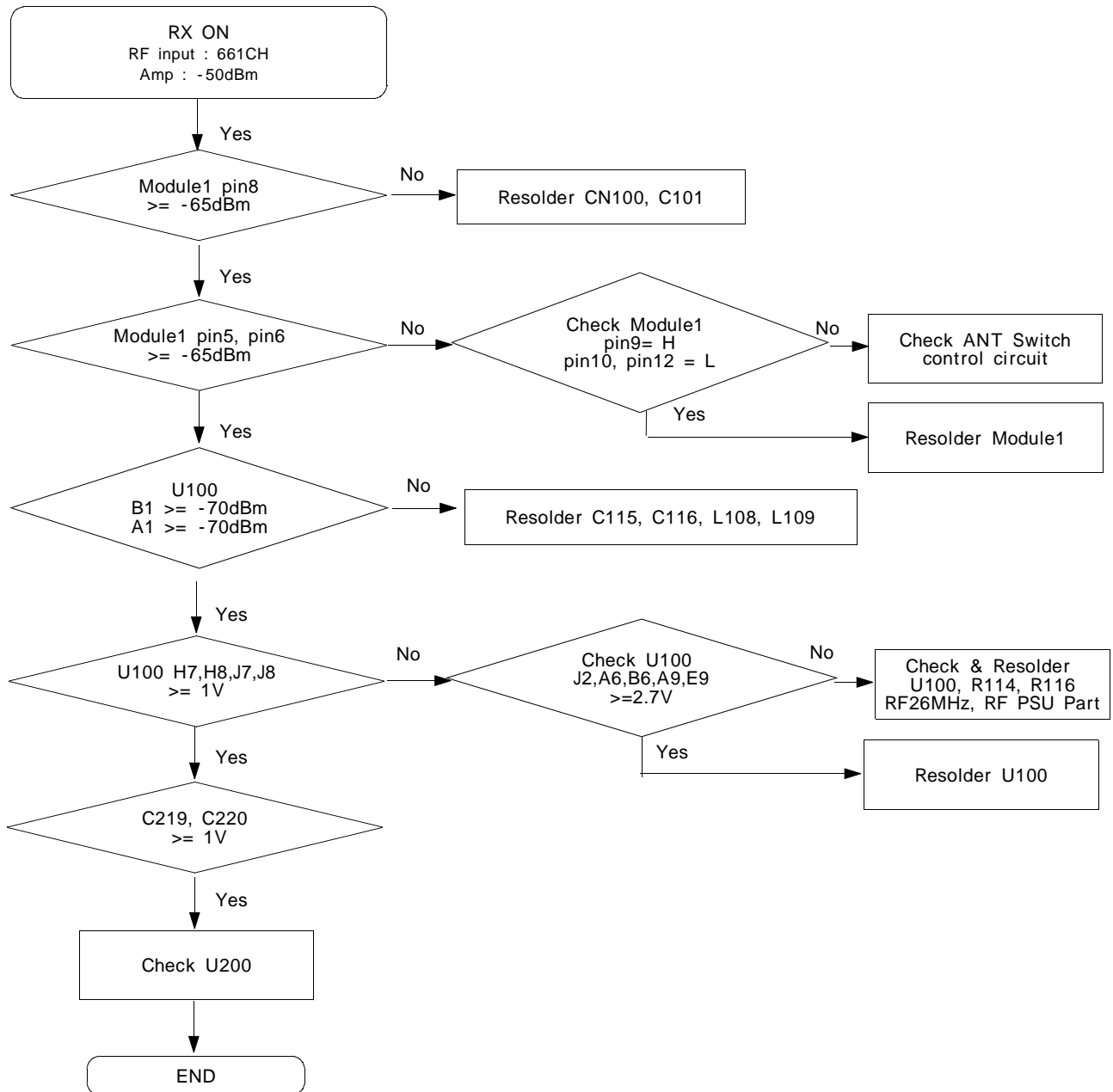
7-16. DCS Receiver



7-17. DCS Transmitter



7-18. PCS Receiver



7-19. PCS Transmitter

