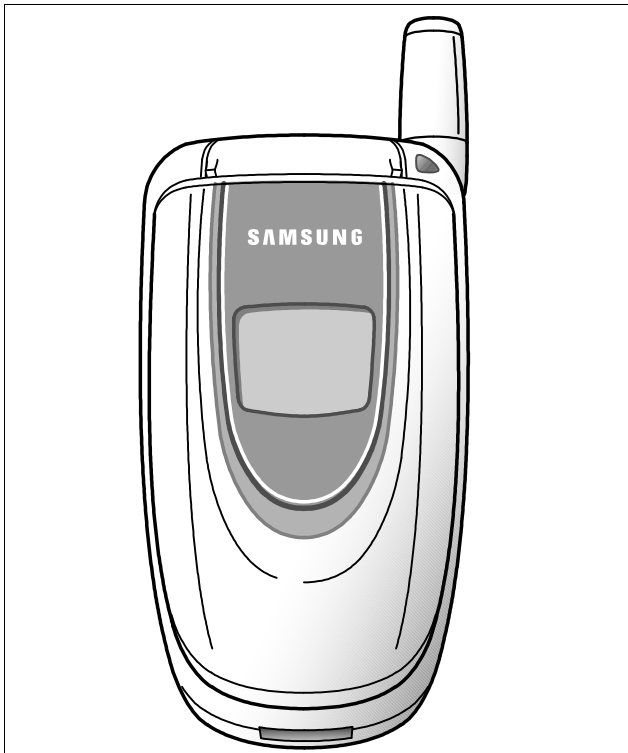


SAMSUNG

GSM TELEPHONE
SGH-E100

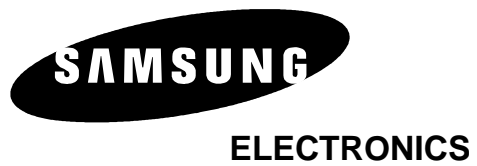
SERVICE *Manual*

GSM TELEPHONE



CONTENTS

1. Specification
2. Circuit Description
3. Exploded Views and Parts List
4. Electrical Parts List
5. Block Diagrams
6. PCB Diagrams
7. Flow Chart of Troubleshooting



This Service Manual is a property of Samsung Electronics Co.,Ltd.
Any unauthorized use of Manual can be punished under applicable
international and/or domestic law.

Samsung Electronics Co.,Ltd. August. 2003
Printed in Korea.

Code No.: GH68-04388A
BASIC.

1. SGH-E100 Specification

1. GSM General Specification

	GSM900 Phase 1	EGSM 900 Phase 2	DCS1800 Phase 1
Freq. Band[MHz] Uplink/Downlink	890~915 935~960	880~915 925~960	1710~1785 1805~1880
ARFCN range	1~124	0~124 & 975~1023	512~885
Tx/Rx spacing	45MHz	45MHz	95MHz
Mod. Bit rate/ Bit Period	270.833kbps 3.692us	270.833kbps 3.692us	270.833kbps 3.692us
Time Slot Period/Frame Period	576.9us 4.615ms	576.9us 4.615ms	576.9us 4.615ms
Modulation	0.3GMSK	0.3GMSK	0.3GMSK
MS Power	33dBm~13dBm	33dBm~5dBm	30dBm~0dBm
Power Class	5pcl ~ 15pcl	5pcl ~ 19pcl	0pcl ~ 15pcl
Sensitivity	-102dBm	-102dBm	-100dBm
TDMA Mux	8	8	8
Cell Radius	35Km	35Km	2Km

2. GSM TX power class

TX Power control level	GSM900
5	33 ±2 dBm
6	31 ±2 dBm
7	29 ±2 dBm
8	27 ±2 dBm
9	25 ±2 dBm
10	23 ±2 dBm
11	21 ±2 dBm
12	19 ±2 dBm
13	17 ±2 dBm
14	15 ±2 dBm
15	13 ±2 dBm
16	11 ±3 dBm
17	9 ±3dBm
18	7 ±3 dBm
19	5 ±3 dBm

TX Power control level	DCS1800
0	30 ±3 dBm
1	28 ±3 dBm
2	26 ±3 dBm
3	24 ±3 dBm
4	22 ±3 dBm
5	20 ±3 dBm
6	18 ±3 dBm
7	16 ±3 dBm
8	14 ±3 dBm
9	12 ±4 dBm
10	10 ±4 dBm
11	8 ±4dBm
12	6 ±4 dBm
13	4 ±4 dBm
14	2 ±5 dBm
15	0 ±5 dBm

2. SGH-E100 Circuit Description

. SGH-E100 RF Circuit Description

1. RX PART

1.1 ASM(MODULE1)

Switching Tx, Rx path for GSM900, DCS1800 by logic controlling.

1.2 ASM Control Logic (U206, U208)

Truth Table

	VC_1	VC_2
GSM Tx Mode	H	L
DCS Tx Mode	L	H
GSM Rx Mode	L	L
DCS Rx Mode	L	L

1.3 FILTER

To convert Electromagnetic Field Wave to Acoustic Wave and then pass the specific frequency band.

- GSM FILTER (F100) For filtering the frequency band between 925 ~ 960 MHz
- DCS FILTER (F102) For filtering the frequency band 1805 and 1880 MHz.

1.4 TC-VCXO (U101)

To generate the 26MHz reference clock to drive the logic and RF.

After additional process, the reference clock applies to the U100 Rx IQ demodulator and Tx IQ modulator.

The oscillator for RX IQ demodulator and Tx modulator are controlled by serial data to select channel and use fast lock mode for GPRS high class operation.

1.5 UAA3536(U100)

This chip integrates two differential-input LNAs.

The GSM input supports the E-GSM, DCS input supports the DCS1800. The LNA inputs are matched to the 200 ohm differential output SAW filters through external LC matching network.

Image-reject mixer downconverts the RF signal to a 100 KHz intermediate frequency(IF) with the RFLO from VOU1810 voltage-controlled oscillator. The RFLO frequency is between 1801 ~ 1921 MHz.

The Mixer output is amplified with an analog programmable gain amplifier(PGA), which is controlled by AGAIN.

The quadrature IF signal is digitized with high resolution A/D converts (ADC).

2. TX PART

Baseband IQ signal fed into offset PLL, this function is included inside of U100 chip.

UAA3536 chip generates modulator signal which power level is about 1.5dBm and fed into Power Amplifier(U201).

The PA output power and power ramping are well controlled by Auto Power Control circuit.

We use offset PLL below table.

Modulation Spectrum	200kHz offset 30 kHz bandwidth	GSM	-35dBc
		DCS	-35dBc
	400kHz offset 30 kHz bandwidth	GSM	-66dBc
		DCS	-65dBc
	600kHz ~ 1.8MHz offset 30 kHz bandwidth	GSM	-75dBc
		DCS	-68dBc

SGH-E100 Baseband Circuit Description

1. PCF50601

1.1 Power Management

Ten low-dropout regulators designed specifically for GSM applications power the terminal and help ensure optimal system performance and long battery life. A programmable boost converter provides support for 1.8V, 3.0V, and 5.0V SIMs, while a self-resetting, electronically fused switch supplies power to external accessories. Ancillary support functions, such as RTC module and High Voltage Charge pump, Clock generator, aid in reducing both board area and system complexity.

I2C BUS serial interface provides access to control and configuration registers. This interface gives a microprocessor full control of the PCF50601 and enables system designers to maximize both standby and talk times.

Supervisory functions including a reset generator, an input voltage monitor, and a temperature sensor, support reliable system design. These functions work together to ensure proper system behavior during start-up or in the event of a fault condition(low microprocessor voltage, insufficient battery energy, or excessive die temperature).

1.2 Backlight Brightness Modulator

The Backlight Brightness Modulator (BBM) contains a programmable Pulse-width modulator (PWM) and FET to modulate the intensity of a series of LED's or to control a DC/DC converter that drives LCD backlight. This phone (SGH-E100) works by PWM.

1.3 Clock Generator

The Clock Generator (CG) generates all clocks for internal and external usage. The 32768 Hz crystal oscillator provides an accurate low clock frequency for the PCF50601 and other circuitry.

2. LCD Connector

LCD is consisted of main LCD(color 65K TFT LCD) and small LCD(B/W). Chip select signals, LCD_MAIN_CS and LCD_SUB_CS, can enable Each LCD. LCD_MAIN_CS signal enables white LED of main LCD and LCD_SUB_CS signal enables the small LCD.

"RESET_2V8" signal initiates the Reset process of the LCD.

16-bit data lines(HD(0)~HD(15)) transfers data and commands to LCD.

"SPK_P" and "SPK_N" are used for audio speaker. And "VDD_VIB" from PCF50601 enables the motor.

3. IRDA

This system uses IRDA module, HSDL_3201. This has signals, "IRDA_DOWN"(enable signal), "RXD0"(input data) and "TXD0"(output data). These signals are connected to OM6357.

It uses two power signals. "VDD2" is used for circuit and "VBAT" is used for LED.

4. Key

This is consisted of key interface pins among OM6357, KBIO(0:7). These signals compose the matrix. Result of matrix informs the key status to key interface in the OM6357. Power on/off key is separated from the matrix. So power on/off signal is connected with PCF50601 to enable PCF50601. twelve key LED use the "VBAT" supply voltage. "VDD_KEY" signal enables LEDs with current control. "FLIP" informs the status of folder (open or closed) to the OM6357. This uses the hall effect IC, A3212ELH. A magnet under main LCD enables A3212ELH.

5. EMI ESD Filter

This system uses the EMI ESD filter, EMIF09 to protect noise from IF CONNECTOR part.

6. IF Connector

It is 24-pin connector. They are designed to use VBAT, V_EXT_CHARGE, TXD0, RXD0, RTS0, CTS0, JIG_REC, CHARGER_OK, RXD1, TXD1, AUX_MIC, AUX_SPK and GND. They connected to power supply IC, microprocessor and signal processor IC.

7. Battery Charge Management

A complete constant-current/constant-voltage linear charger for single cell lithium-ion batteries.

If TA connected to phone, "V_EXT_CHARGE" enable charger IC and supply current to battery.

when fault condition caused, "CHG_ON" signal level change low to high and charger IC stop charging process.

8. Audio

EARP_P and EARP_N from OM6357 are connected to the main speaker. AUXSP is connected to the Hands free kit. MIC_P and MIC_N are connected to the main MIC. And AUX_MIC_P and AUX_MIC_N are connected to the Hands free kit.

YMU762MA3 is a LSI for portable telephone that is capable of playing high quality music by utilizing FM synthesizer and ADPCM decoder that are included in this device.

As a synthesis, YMU762MA3 is equipped 32 voices with different tones. Since the device is capable of simultaneously generating up to synchronous with the play of the FM synthesizer, various sampled voices can be used as sound effects.

Since the play data of YMU762MA3 are interpreted at anytime through FIFO, the length of the data(playing period) is not limited, so the device can flexibly support application such as incoming call melody music distribution service. The hardware sequencer built in this device allows playing of the complex music without giving excessive load to the CPU of the portable telephones. Moreover, the registers of the FM synthesizer can be operated directly for real time sound generation, allowing, for example, utilization of various sound effects when using the game software installed in the portable telephone.

YMU762 includes a speaker amplifier with high ripple removal rate whose maximum output is 550mW (SPVDD=3.6V). The device is also equipped with conventional function including a vibrator and a circuit for controlling LEDs synchronous with music. For the headphone, it is provided with a stereophonic output terminal.

For the purpose of enabling YMU762MA3 to demonstrate its full capabilities, Yamaha purpose to use "SMAF:Synthetic music Mobile Application Format" as a data distribution format that is compatible with multimedia.

Since the SMAF takes a structure that sets importance on the synchronization between sound and images, various contents can be written into it including incoming call melody with words that can be used for training karaoke, and commercial channel that combines texts, images and sounds, and others.

The hardware sequencer of YMU762MA3 directly interprets and plays blocks relevant to synthesis (playing music and reproducing ADPCM with FM synthesizer) that are included in data distributed in SMAF.

9. Memory

Signals in the OM6357 enable two memories. They use only one volt supply voltage, VDD3 in the PCF50601. This system uses Samsung's memory, KBB06A300M-T402. It is consisted of 128M bits flash NOR memory and 128M bits flash NAND memory and 32M bits UtrAM. It

has 16 bit data line, HD[0~15] which is connected to OM6357. It has 23 bit address lines, HA[1~23]. NCSFLASH_NAND and NCSRAM signals is chip select.

Writing process, HWR_N is low and it enables writing process to flash memory and SRAM. During reading process, HRD_N is low and it enables reading process to flash memory and SRAM. Each chip select signals in the OM6357 select memory among 2 flash memory and UtRAM.

Reading or writing procedure is processed after HWR_N or HRD_N is enabled. Memories use reset, which is VDD3 delay from PCF50601. HA[22] signal enables lower byte of SRAM and HA[22] signal enables higher byte of SRAM.

10. OM6357

OM6357 is consisted of ARM core and DSP core. It has 8x1Kword on-chip program/data RAM, 55 Kwords on-chip program ROM in the DSP. It has 4K*32bits ROM and 2K*32bits RAM in the ARM core. DSP is consisted of KBS, JTAG, EMI and UART. ARM core is consisted of EMI, PIC(Programmable Interrupt Controller), reset/power/clock unit, DMA controller, TIC(Test Interface Controller), eripheral bridge, PPI, SSI(Synchronous Serial Interface), ACC(Asynchronous communications controllers), timer, ADC, RTC(Real-Time Clock) and keyboard interface.

KBIO(0:7), address lines of DSP core and HD[0~15]. HA[1~23], address lines of ARM core and HD[0~15], data lines of ARM core are connected to memory.

NCSRAM, NCSFLASH_NAND in the ARM core are connected to each memory. HWR_N and HRD_N control the process of memory. External IRQ(Interrupt Request) signals from each units, such as, PMU need the compatible process.

KBIO[0~7] receive the status from key and RXD0/TXD0/IrDA_DOWN are used for the communications using IRDA and data link cable(DEBUG_DTR/RTS/TXD/RXD/CTS/DSR).

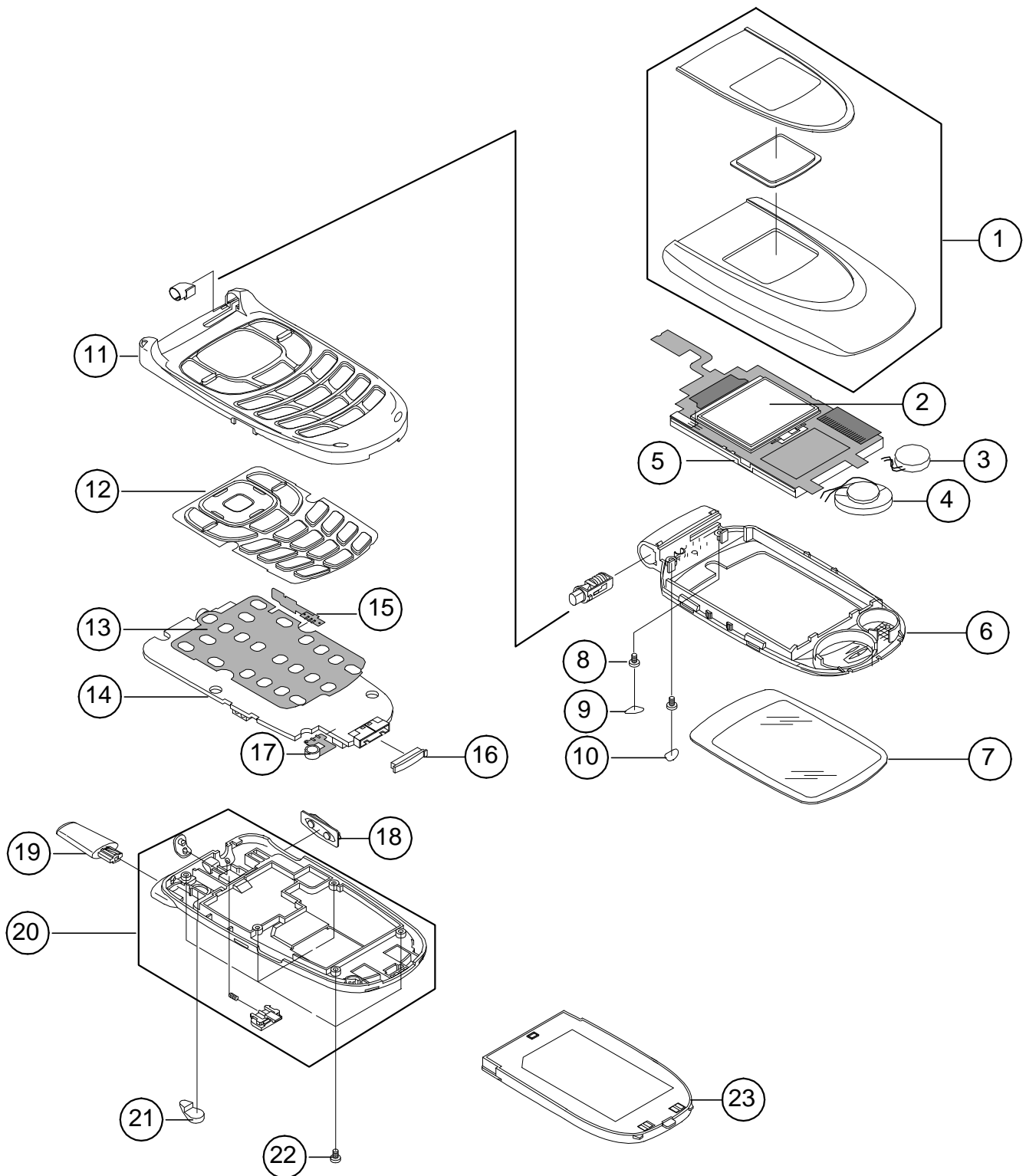
It has JTAG control pins(TDI/TDO/TCK) for ARM core and DSP core. It receives 13MHz clock in CKI pin from external TCXO. ADC(Analog to Digital Converter) part receives the status of temperature, battery type and battery voltage.

11. TCO-9141G(26MHz)

This system uses the 26MHz TCXO, TCO-9141G, Toyocom. AFC control signal from OM6357 controls frequency from 26MHz X-tal. The clock output frequency of UAA3536HN is 13MHz. This clock is connected to OM6357, YMU762.

3. SGH-E100 Exploded View and its Parts list

1. Cellular phone Exploded View-1



2. Cellular phone Parts list

NO	Description	SEC CODE	Remark
1	FOLDER UPPER	GH75-02840A	
2	DUAL LCD	GH07-00346A	
3	MOTOR	3101-001347	
4	SPEAKER	3001-001386	
5	MIAN LCD	GH07-00190A	
6	FOLDER LOWER	GH75-02841A	
7	WINDOW LCD	GH75-02845A	
8	SCREW	6001-001478	
9	SCREW CAP(L)	GH74-01466A	
10	SCREW CAP(R)	GH74-01467A	
11	FRONT COVER	GH75-02842A	
12	KEYPAD	GH75-02844A	
13	DOME SHEET	GH59-00677A	
14	MAIN PBA	GH92-01455A	
15	VOLKEY FPCB	GH59-00678A	
16	IF COVER	GH73-01844A	
17	MIC	GH30-00006A	
18	VOLUME KEY	GH75-02846A	
19	ANTENNA	GH42-00300A	
20	REAR COVER	GH75-02843A	
21	RF COVER	GH73-01843A	
22	SCREW	6001-001478	
23	BATTERY	GH43-00940A	

3. Test Jig (GH80-01909A)



3-1. RF Test Cable
(GH39-00140A)



3-2. Test Cable
(GH39-00217A)



3-3. Serial Cable



3-4. Power Supply Cable



3-5. DATA CABLE
(GH39-00143B)



3-6. TA
(GH44-00184A)



4. SGH-E100 MAIN Electrical Parts List

SEC CODE	Design LOC	SEC CODE	Design LOC
0406-001167	ZD503	0801-002540	U519
0406-001167	ZD504	1001-001183	U507
0406-001167	ZD505	1001-001183	U515
0406-001167	ZD506	1009-001010	SW200
0504-001012	Q401	1109-001280	U401
0504-001060	U206	1201-001954	U201
0504-001060	U207	1202-001036	U502
0504-001060	U208	1203-002764	U405
0505-001423	U509	1204-002161	U402
0505-001423	U518	1205-002257	U300
0506-000107	U406	1205-002276	U504
0506-000107	U517	1205-002327	U100
0601-001647	D451	1404-001221	TH1
0601-001647	D452	1405-001082	D501
0601-001647	D453	1405-001082	D502
0601-001647	D454	1405-001082	D503
0601-001647	D455	1405-001082	D505
0601-001647	D456	1405-001082	D506
0601-001647	D458	1405-001082	V1
0601-001647	D459	2007-000140	R599
0601-001647	D507	2007-000141	R104
0601-001647	D508	2007-000141	R359
0601-001647	D509	2007-000141	R360
0601-001647	D512	2007-000142	R123
0601-001647	LED401	2007-000142	R125
0604-001146	U351	2007-000142	R127
0801-002237	U403	2007-000142	R128
0801-002540	U452	2007-000147	R212
0801-002540	U453	2007-000148	R113
0801-002540	U508	2007-000148	R208

SEC CODE	Design LOC
2007-000148	R209
2007-000148	R210
2007-000148	R300
2007-000148	R304
2007-000148	R354
2007-000148	R415
2007-000148	R501
2007-000148	R505
2007-000148	R576
2007-000162	R302
2007-000162	R303
2007-000162	R352
2007-000162	R353
2007-000162	R355
2007-000162	R450
2007-000162	R510
2007-000162	R539
2007-000162	R550
2007-000162	R553
2007-000162	R564
2007-000162	R594
2007-000162	R595
2007-000162	R596
2007-000162	R597
2007-000162	R598
2007-000162	R600
2007-000162	R650
2007-000164	R416
2007-000167	R417
2007-000171	R126

SEC CODE	Design LOC
2007-000171	R204
2007-000171	R207
2007-000171	R453
2007-000171	R504
2007-000171	R507
2007-000171	R508
2007-000174	R547
2007-000242	R502
2007-000242	R509
2007-000566	R106
2007-000566	R107
2007-000566	R414
2007-000758	R412
2007-000775	R124
2007-000775	R404
2007-000775	R406
2007-000775	R411
2007-001244	R409
2007-001288	R201
2007-001298	R119
2007-001305	R110
2007-001305	R115
2007-001305	R120
2007-001305	R121
2007-001308	R114
2007-001313	R400
2007-001325	R403
2007-002965	R112
2007-007001	R358
2007-007008	R202

SEC CODE	Design LOC
2007-007008	R203
2007-007009	R456
2007-007009	R457
2007-007009	R458
2007-007009	R459
2007-007009	R460
2007-007009	R461
2007-007009	R463
2007-007009	R464
2007-007009	R588
2007-007009	R589
2007-007009	R590
2007-007009	R593
2007-007100	R301
2007-007142	R118
2007-007148	R116
2007-007311	R105
2007-007314	R211
2007-007334	R515
2007-007480	R516
2007-007528	R117
2007-007528	R420
2007-007981	R514
2007-008117	R122
2007-008117	R419
2007-008312	R513
2203-000233	C132
2203-000233	C214
2203-000233	C215
2203-000233	C216

SEC CODE	Design LOC
2203-000233	C220
2203-000254	C137
2203-000254	C400
2203-000254	C407
2203-000254	C559
2203-000278	C129
2203-000278	C144
2203-000278	C198
2203-000278	C309
2203-000278	C511
2203-000278	C517
2203-000278	C568
2203-000278	C569
2203-000278	C570
2203-000311	C219
2203-000311	C410
2203-000330	C310
2203-000330	C313
2203-000330	C504
2203-000330	C516
2203-000359	C112
2203-000425	C528
2203-000438	C403
2203-000438	C502
2203-000438	C503
2203-000438	C520
2203-000440	C127
2203-000550	C140
2203-000585	C115
2203-000585	C116

SEC CODE	Design LOC
2203-000585	C117
2203-000585	C118
2203-000585	U516
2203-000609	C142
2203-000628	C505
2203-000628	C510
2203-000679	C401
2203-000679	C571
2203-000679	C572
2203-000679	C573
2203-000679	C574
2203-000679	C575
2203-000679	C576
2203-000679	C577
2203-000679	C578
2203-000679	C579
2203-000679	C580
2203-000679	C581
2203-000679	C582
2203-000812	C107
2203-000812	C108
2203-000812	C210
2203-000854	C106
2203-000854	C146
2203-000854	C513
2203-000854	C526
2203-000854	C529
2203-000885	C411
2203-000995	C104
2203-001153	C141

SEC CODE	Design LOC
2203-001383	C223
2203-001385	C208
2203-001598	C318
2203-001598	C321
2203-001652	C314
2203-002443	C221
2203-002443	C522
2203-005057	C103
2203-005057	C111
2203-005057	C124
2203-005057	C136
2203-005057	C139
2203-005061	C300
2203-005061	C301
2203-005061	C305
2203-005061	C307
2203-005061	C323
2203-005061	C353
2203-005061	C357
2203-005061	C358
2203-005061	C360
2203-005061	C363
2203-005061	C364
2203-005061	C365
2203-005061	C366
2203-005061	C367
2203-005061	C368
2203-005061	C369
2203-005061	C370
2203-005061	C371

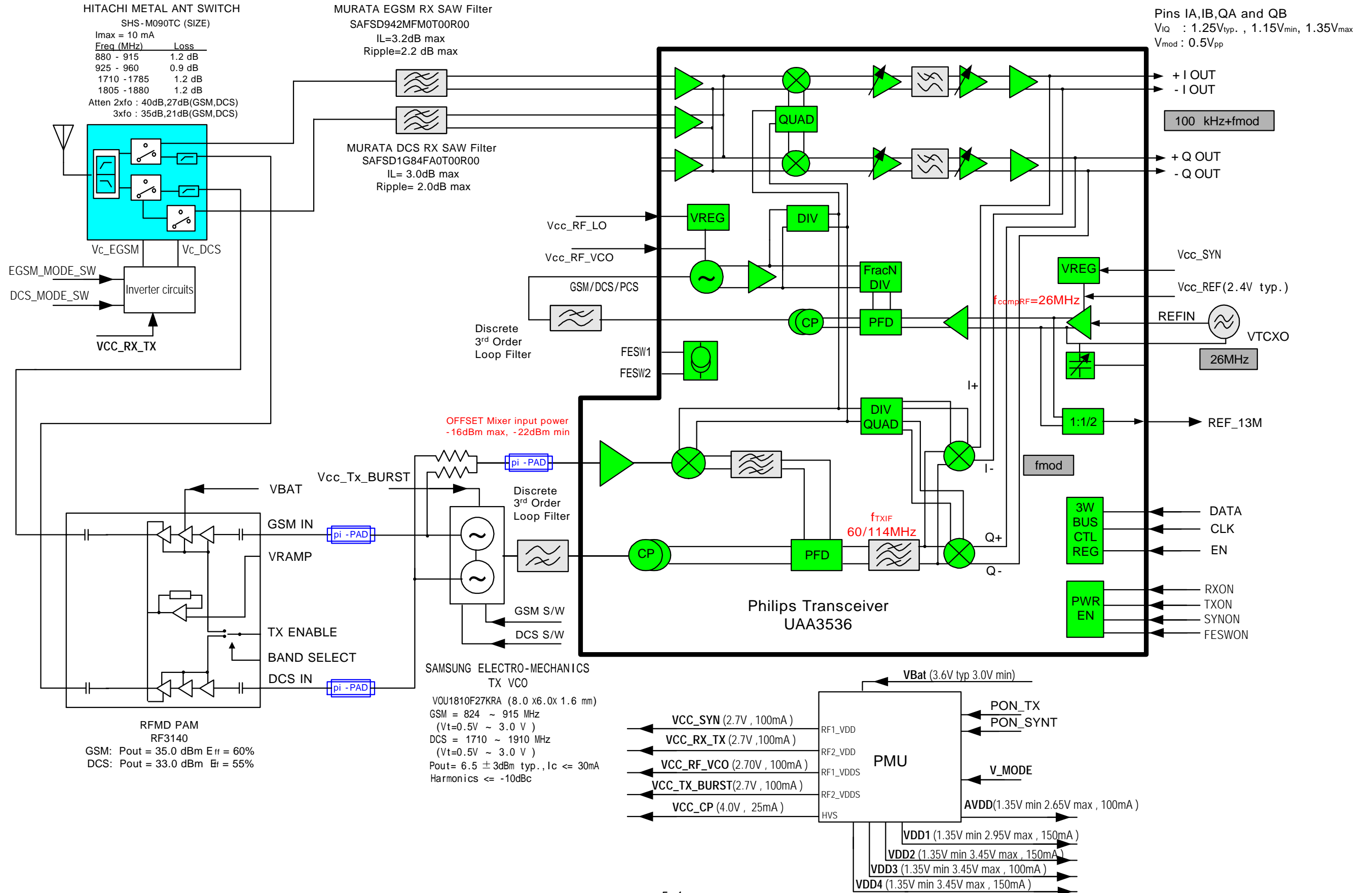
SEC CODE	Design LOC
2203-005061	C372
2203-005061	C405
2203-005061	C406
2203-005061	C409
2203-005061	C452
2203-005061	C501
2203-005061	C506
2203-005061	C508
2203-005061	C515
2203-005061	C521
2203-005065	C315
2203-005065	C319
2203-005065	C322
2203-005065	C324
2203-005065	C326
2203-005065	C328
2203-005065	C329
2203-005065	C361
2203-005138	C109
2203-005382	C222
2203-005481	C218
2203-005482	C102
2203-005482	C110
2203-005482	C122
2203-005482	C125
2203-005482	C135
2203-005482	C138
2203-005482	C312
2203-005482	C540
2203-005496	C126

SEC CODE	Design LOC
2203-005496	C131
2203-005664	C304
2203-005664	C320
2203-005664	C330
2203-006053	C133
2203-006053	C327
2203-006053	C404
2203-006053	C408
2203-006053	C414
2203-006090	C316
2203-006090	C317
2301-001197	C113
2301-001213	C114
2404-001105	C308
2404-001105	C325
2404-001239	C201
2404-001239	C415
2404-001239	C554
2703-001722	L102
2703-001722	L110
2703-001723	L204
2703-001723	L205
2703-001747	L201
2703-001747	L202
2703-001748	L109
2703-002198	L203
2703-002203	L100
2703-002208	L106
2703-002208	L107
2801-003747	X1

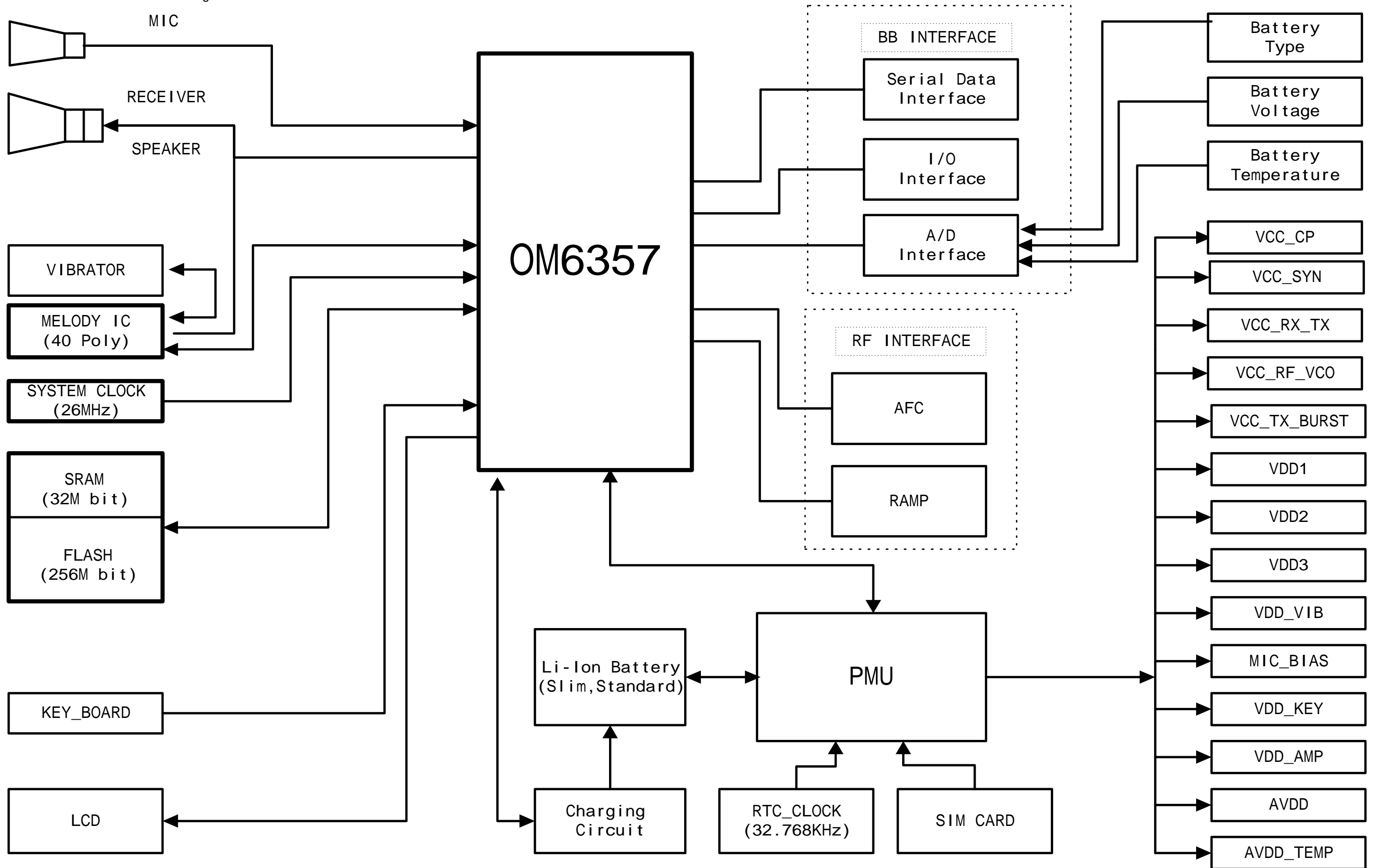
SEC CODE	Design LOC
2806-001317	U102
2809-001279	U101
2901-001246	U451
2901-001254	F453
2901-001258	F451
2901-001258	F452
2904-001390	F100
2904-001403	F102
2909-001204	MODULE1
3301-001105	L300
3705-001273	CON201
3709-001250	CN301
3710-001816	CN3
3711-005078	CN100
3722-001715	EAR500
4302-001119	BAT100
GH41-00382A	

5. SGH-E100 Block Diagrams

1. RF Solution Block Diagram



2. Base Band Solution Block Diagram



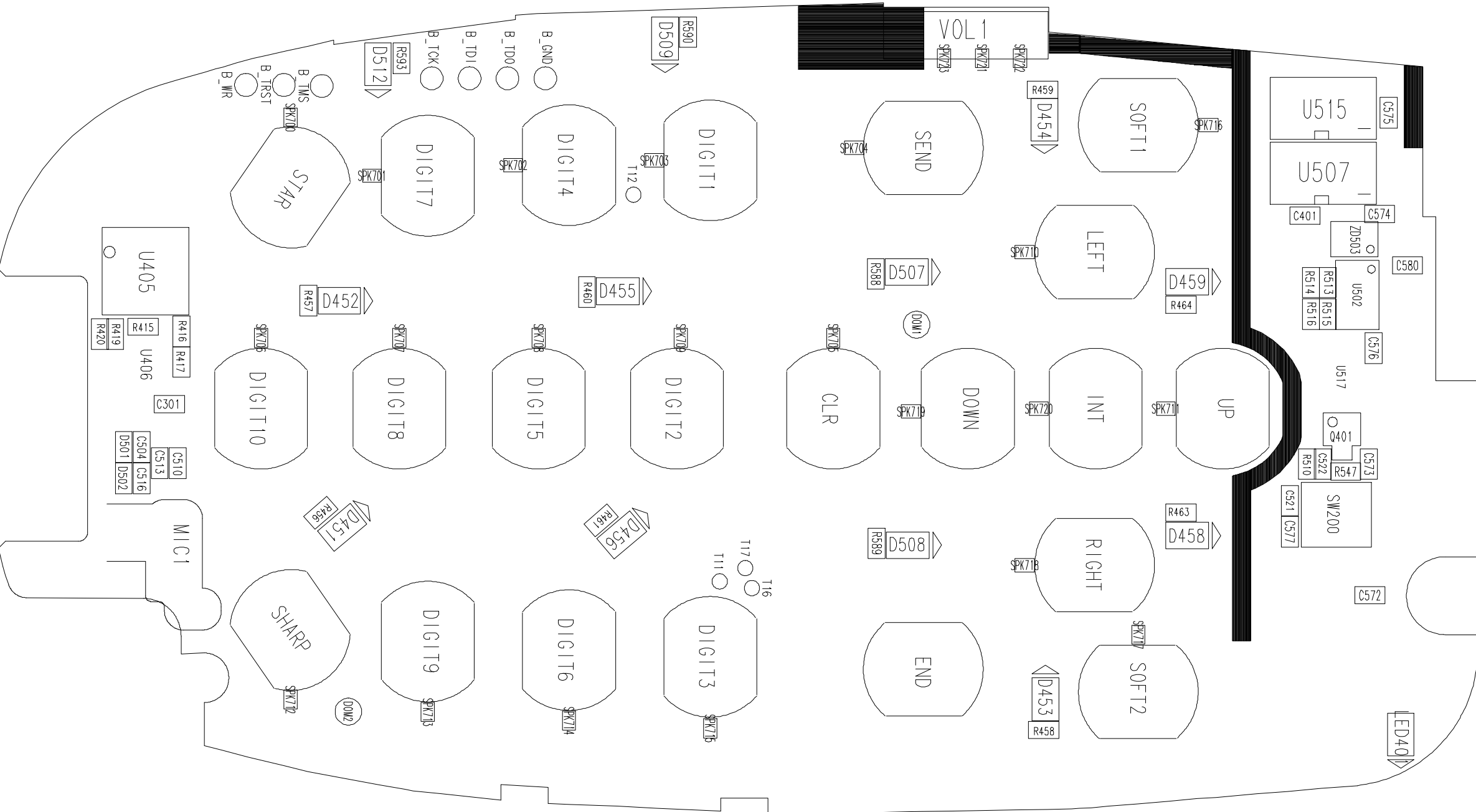
6. SGH-E100 PCB Diagrams

1. Main PCB Top Diagram



A. 39 0013

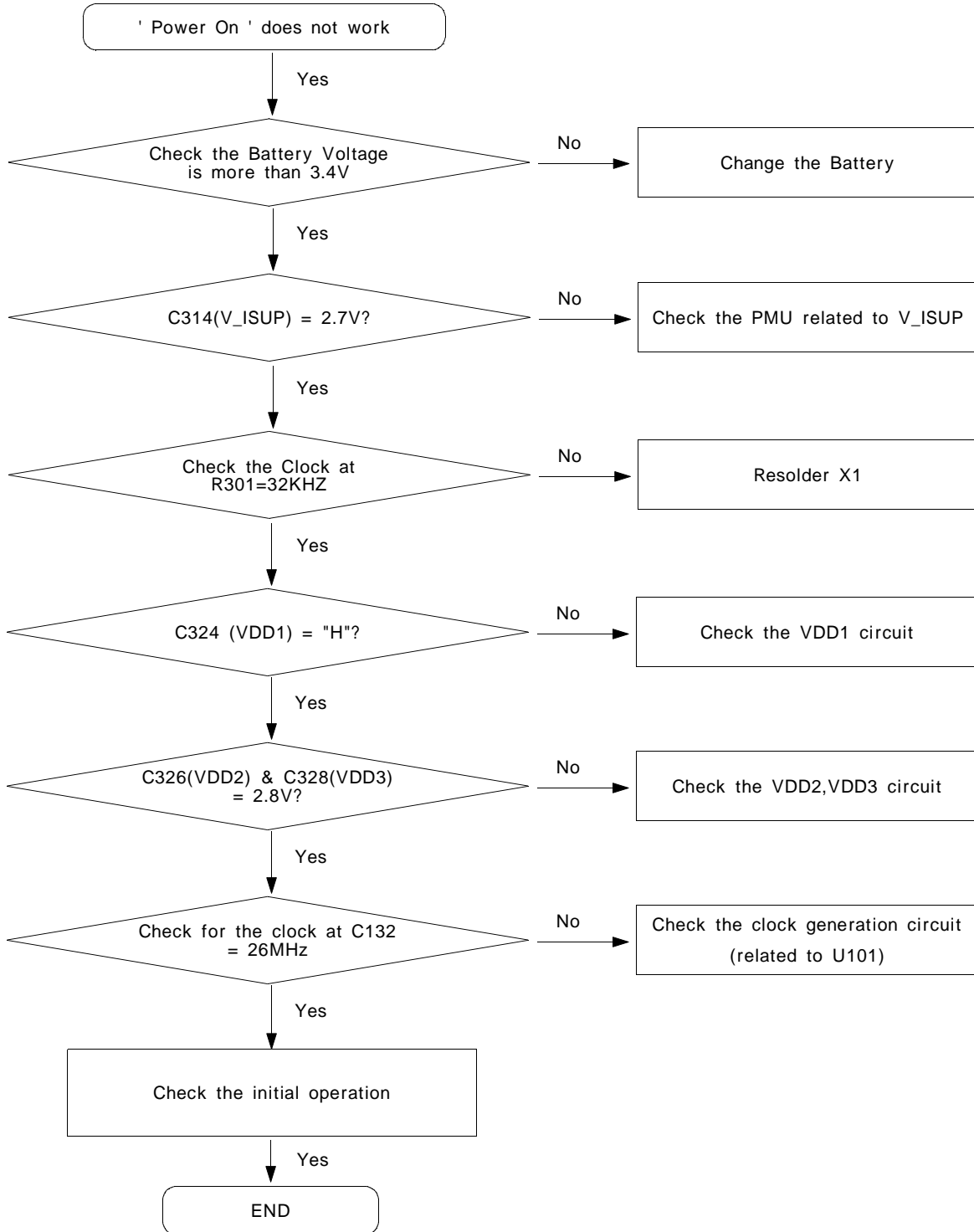
2. Main PCB Bottom Diagram



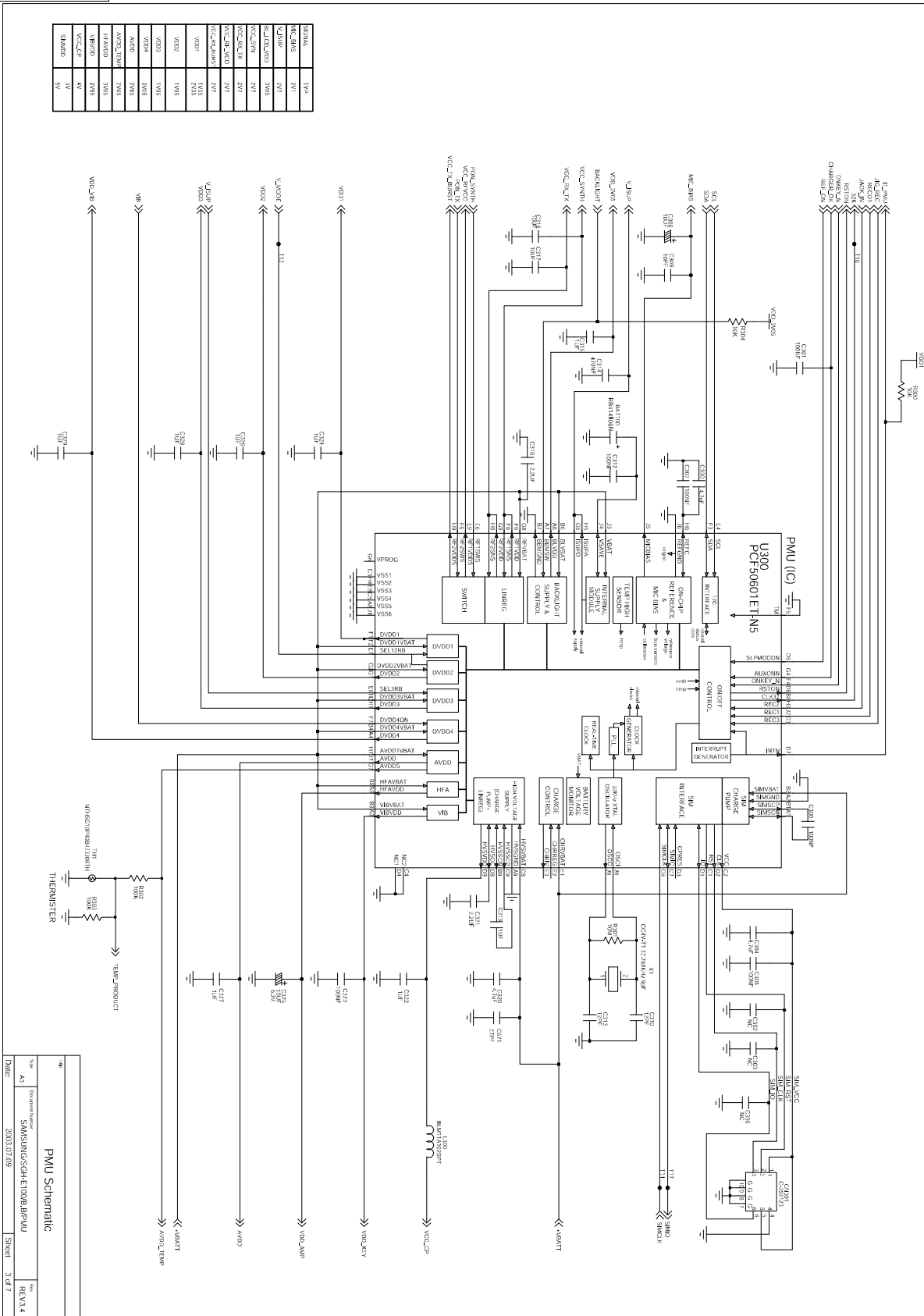
E100 R3.4

7. SGH-E100 Flow Chart of Troubleshooting

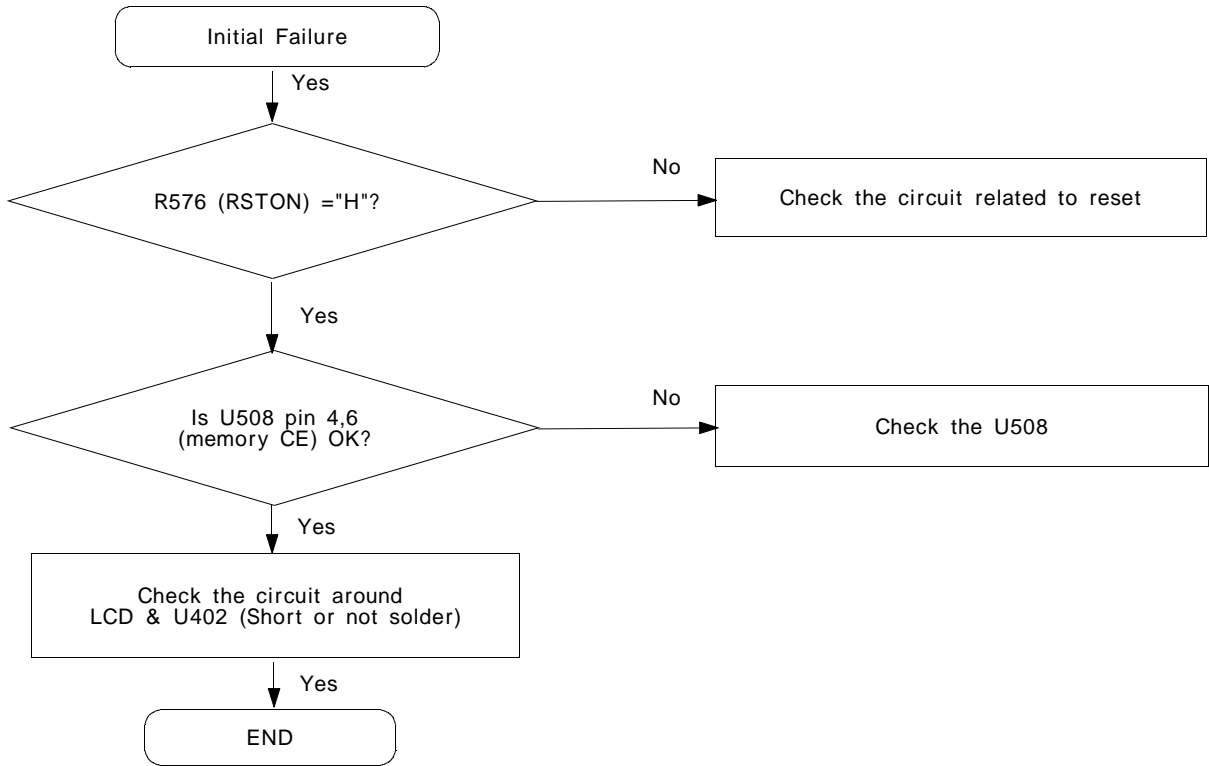
1. Power On



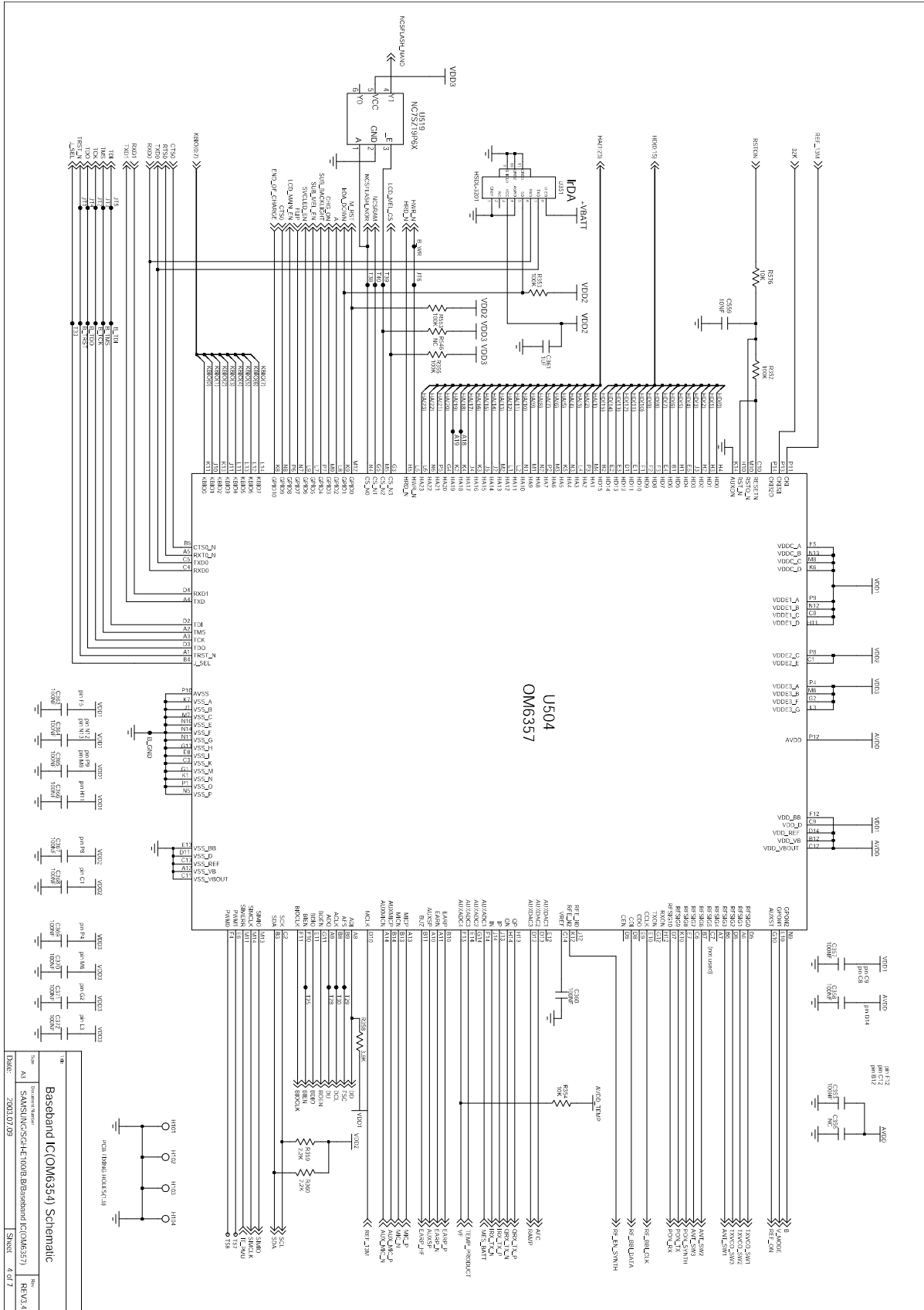
Power On



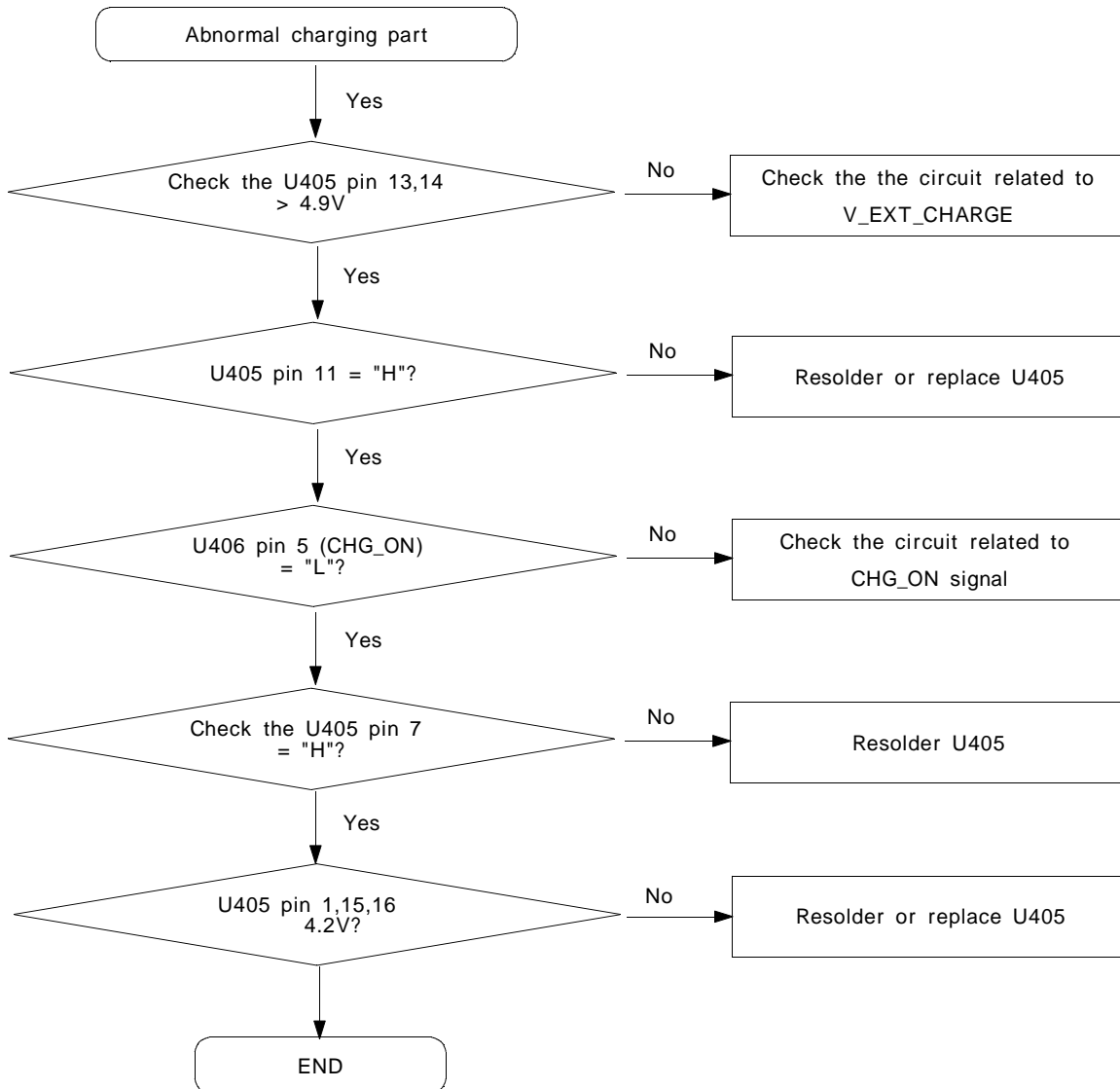
2. Initial



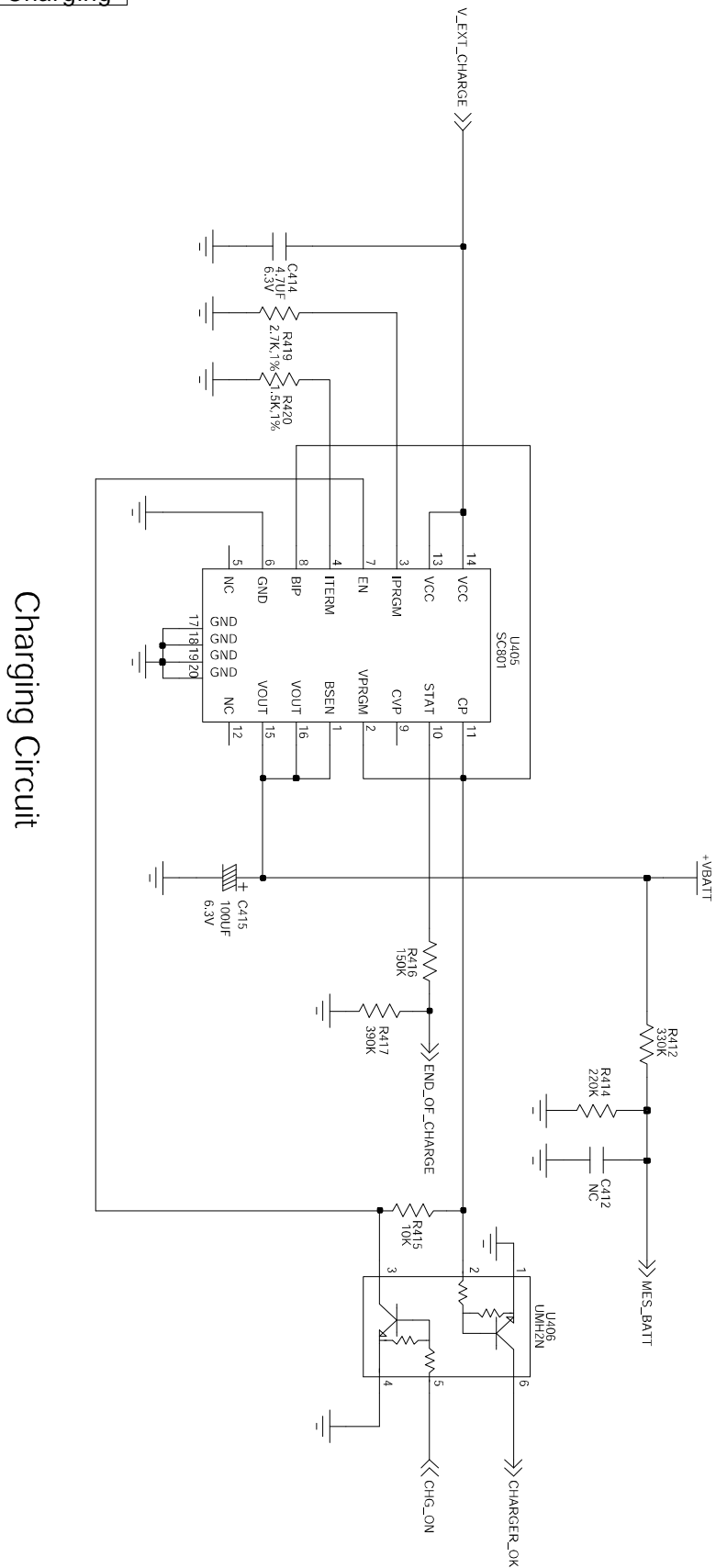
Initial



3. Charging Part

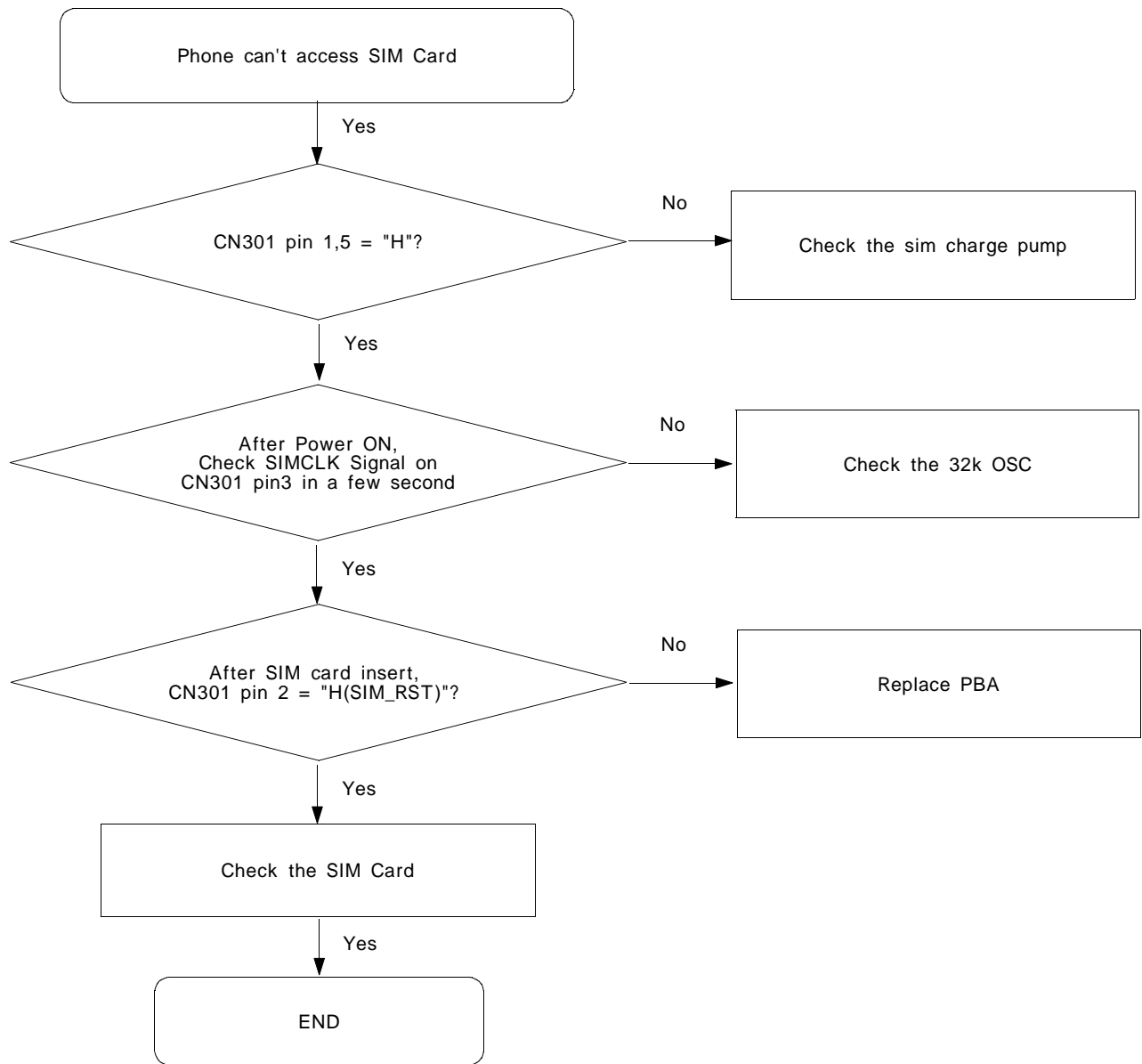


Charging

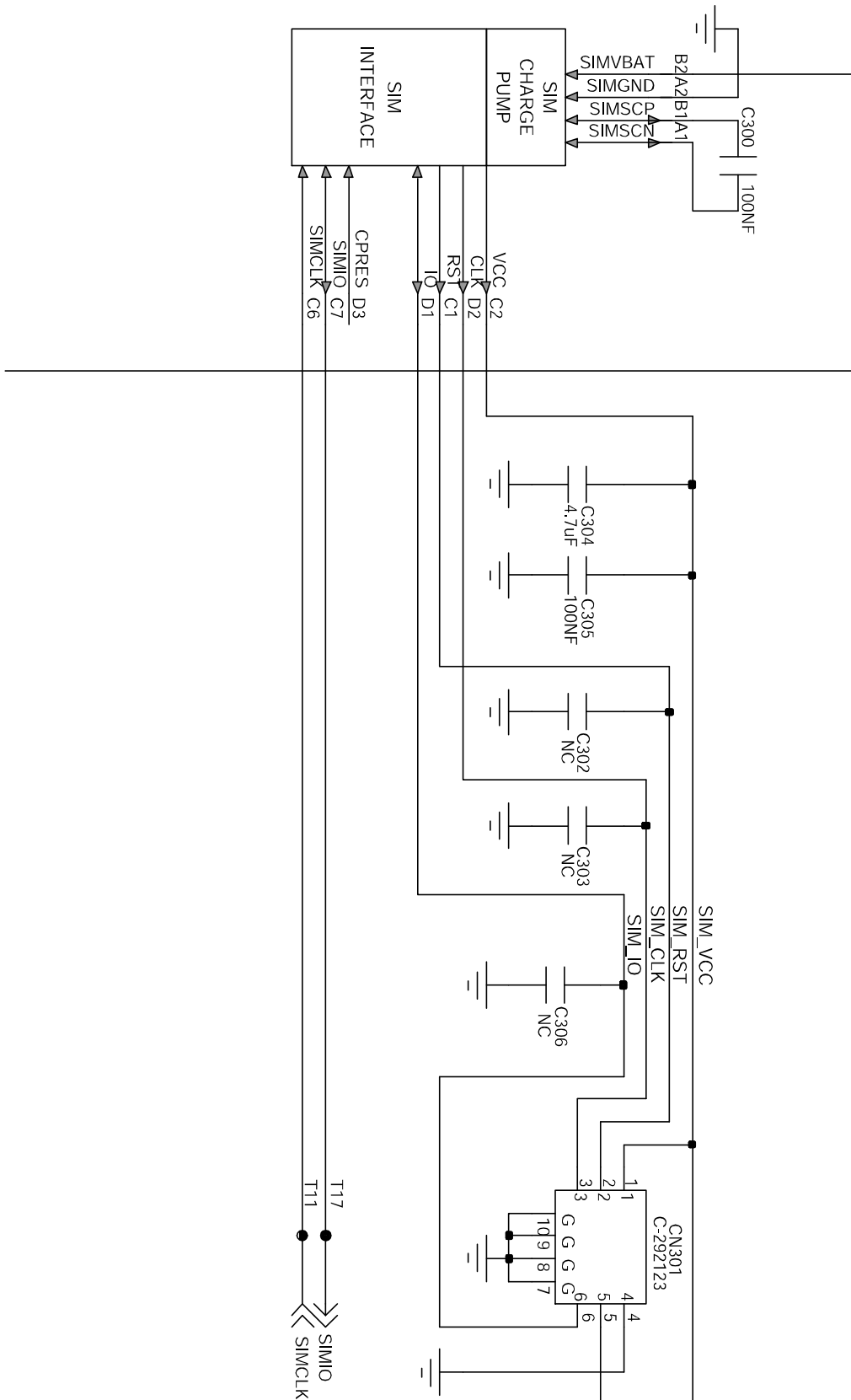


Charging Circuit

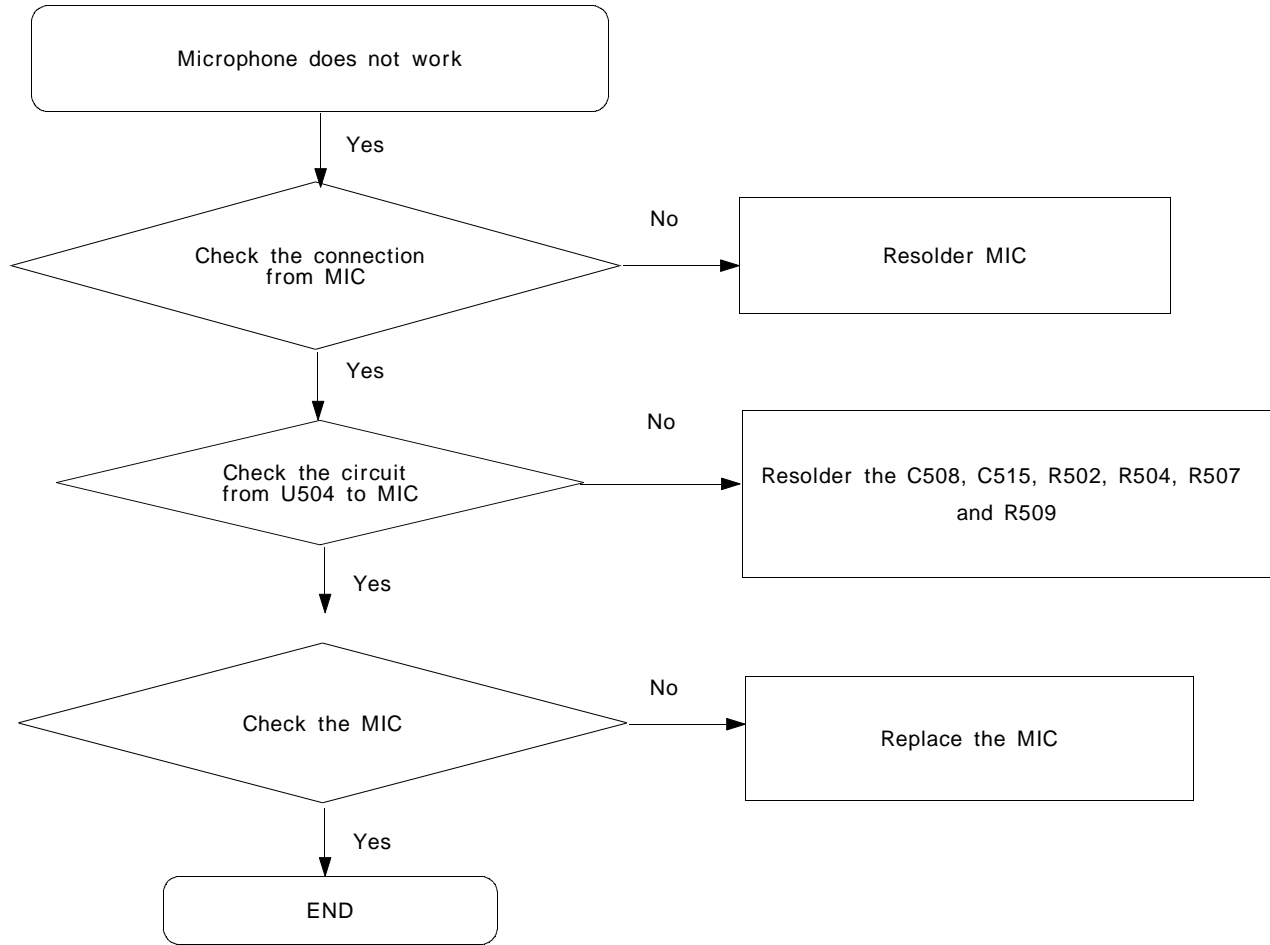
4. Sim Part



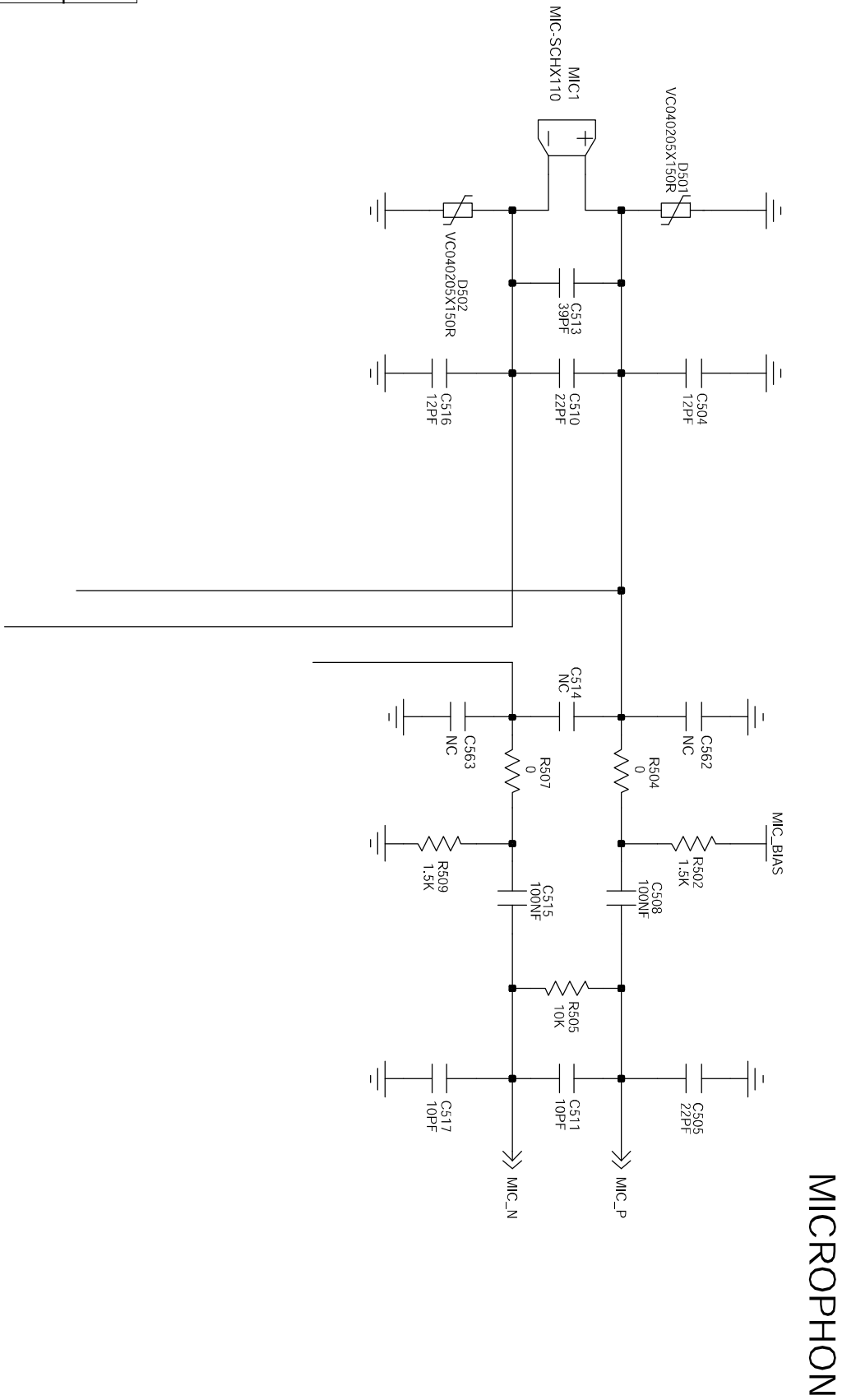
SIM



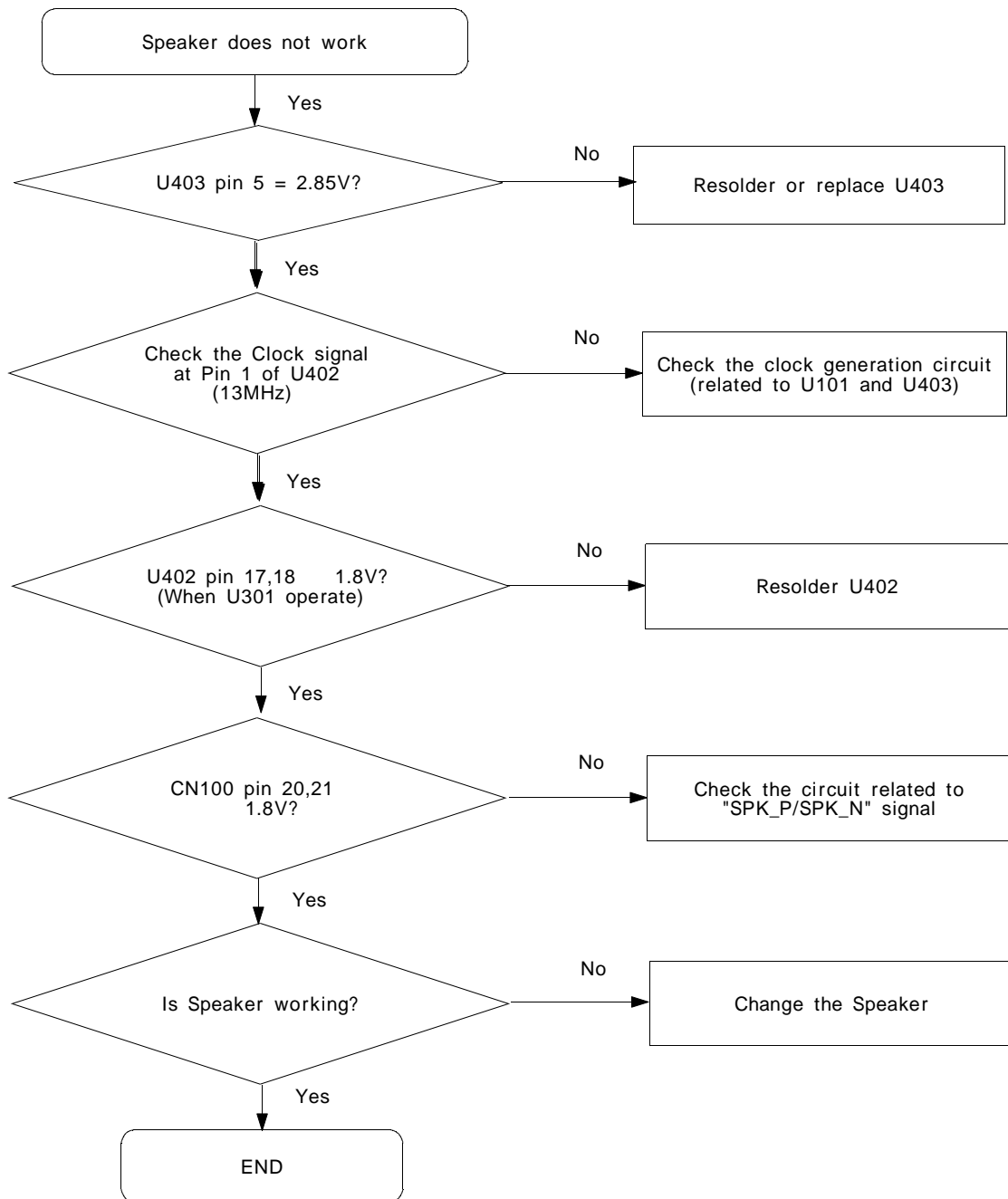
5. Microphone Part



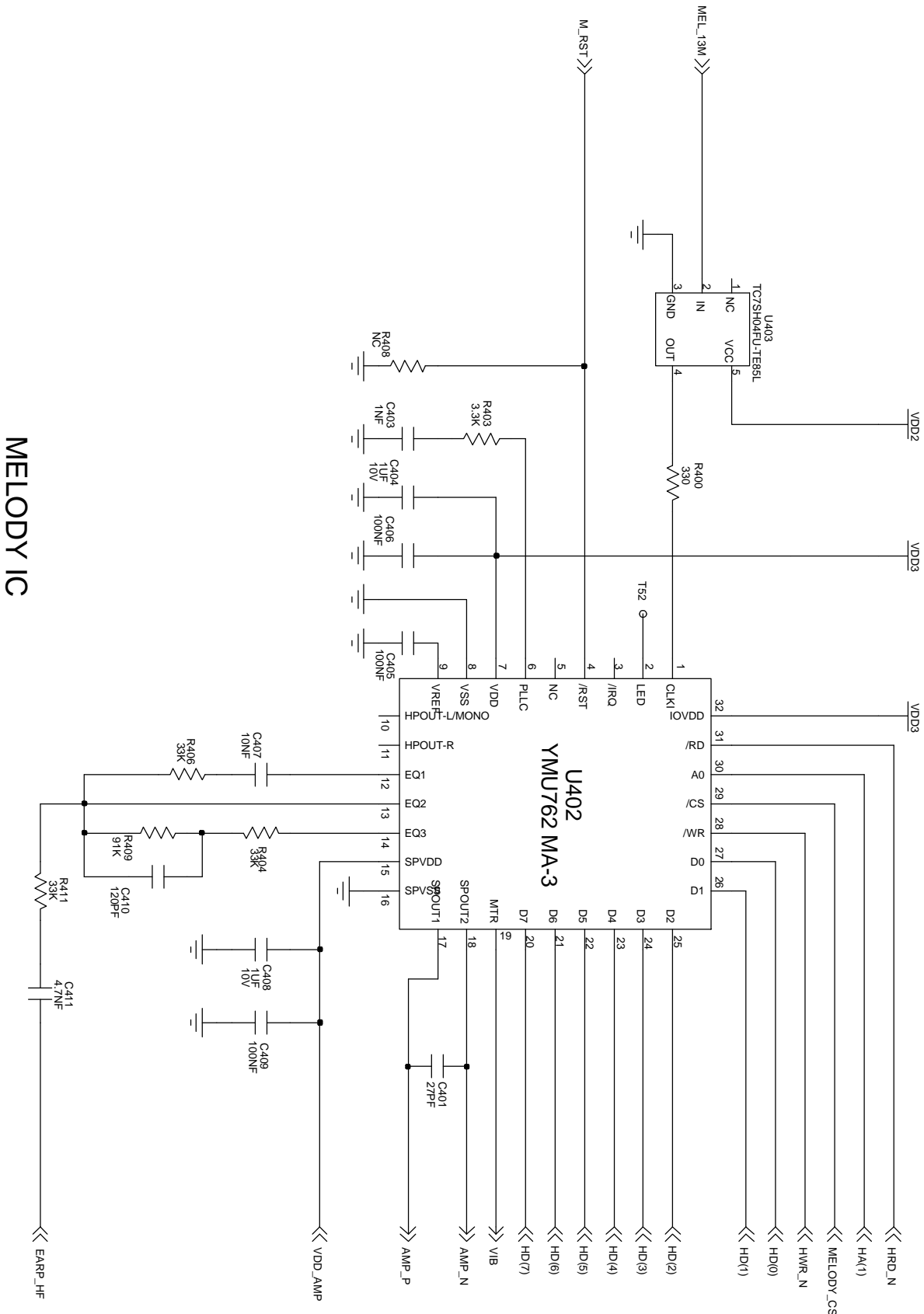
Microphone



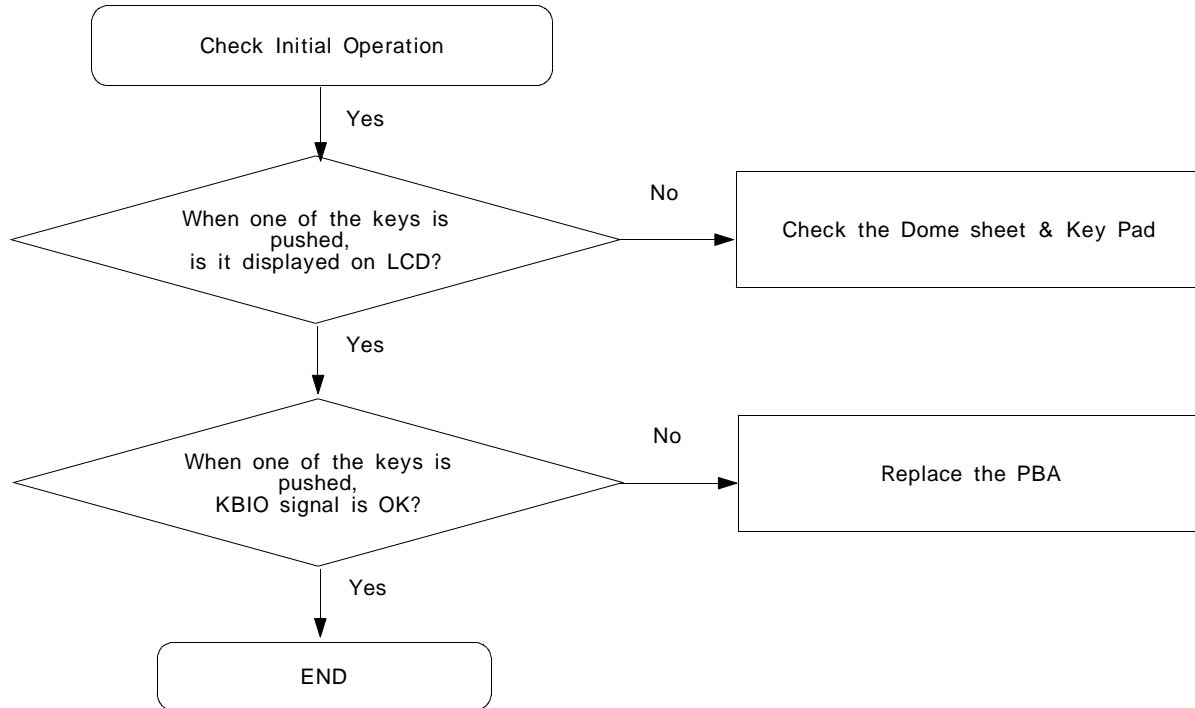
6. Speaker Part(Melody)



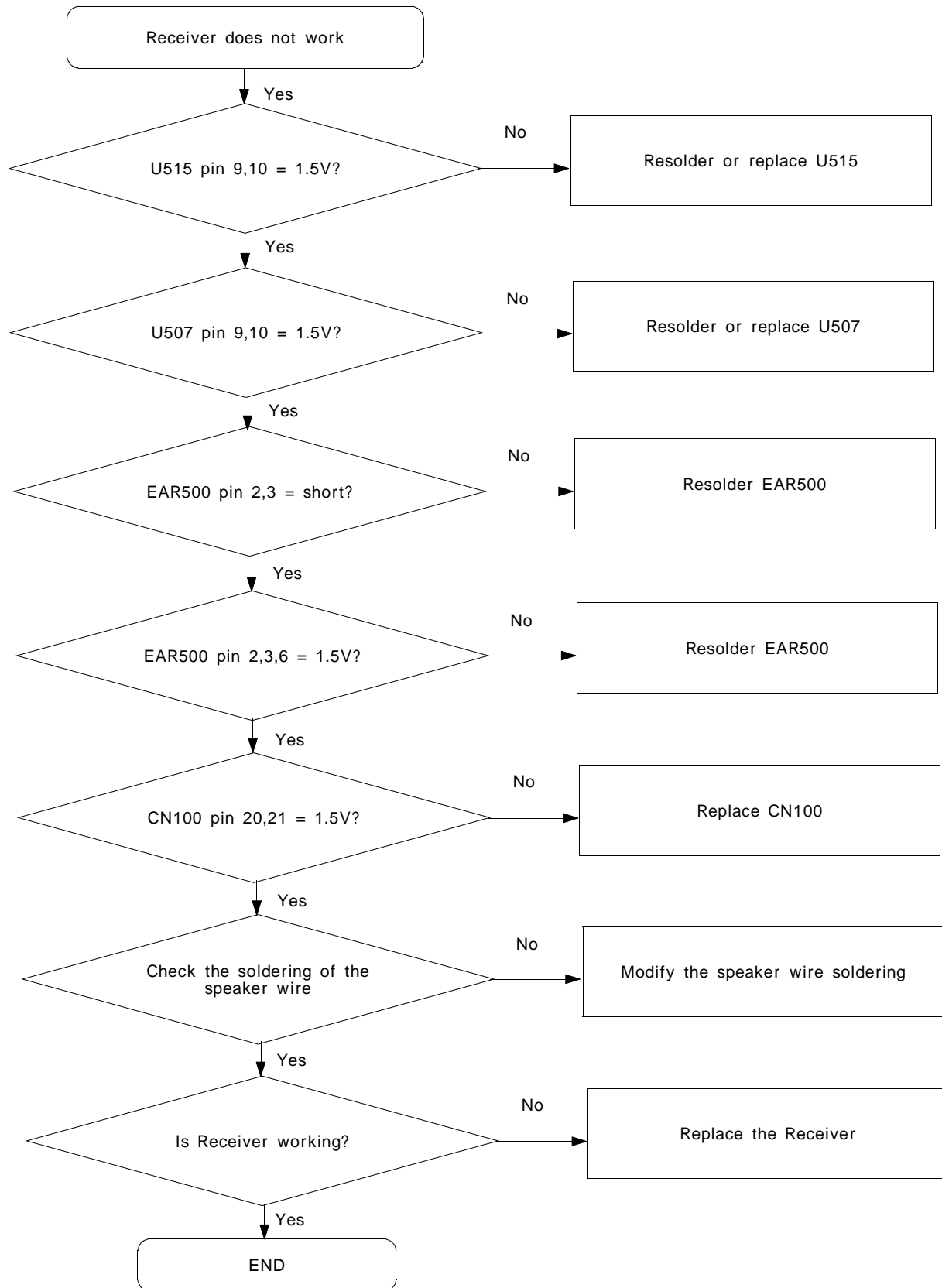
Speaker



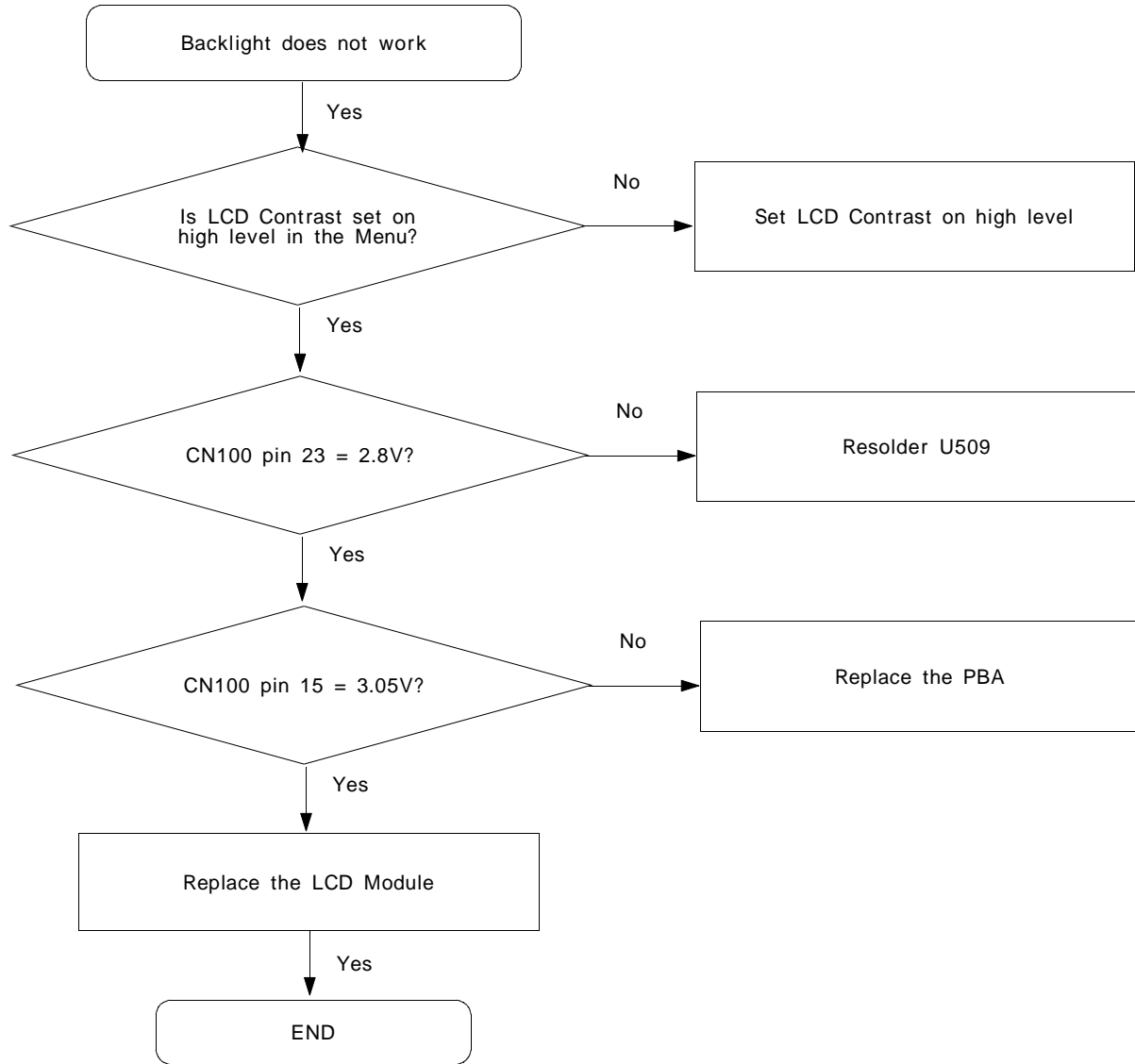
7. Key Data Input



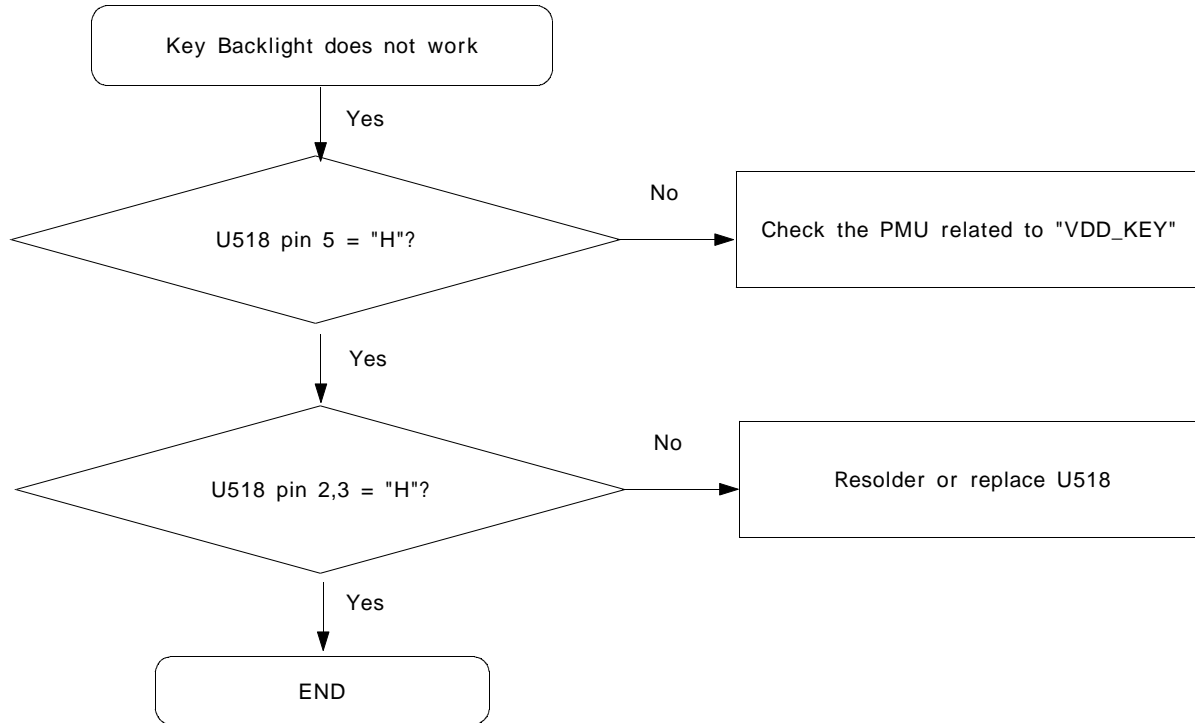
8. Receiver Part



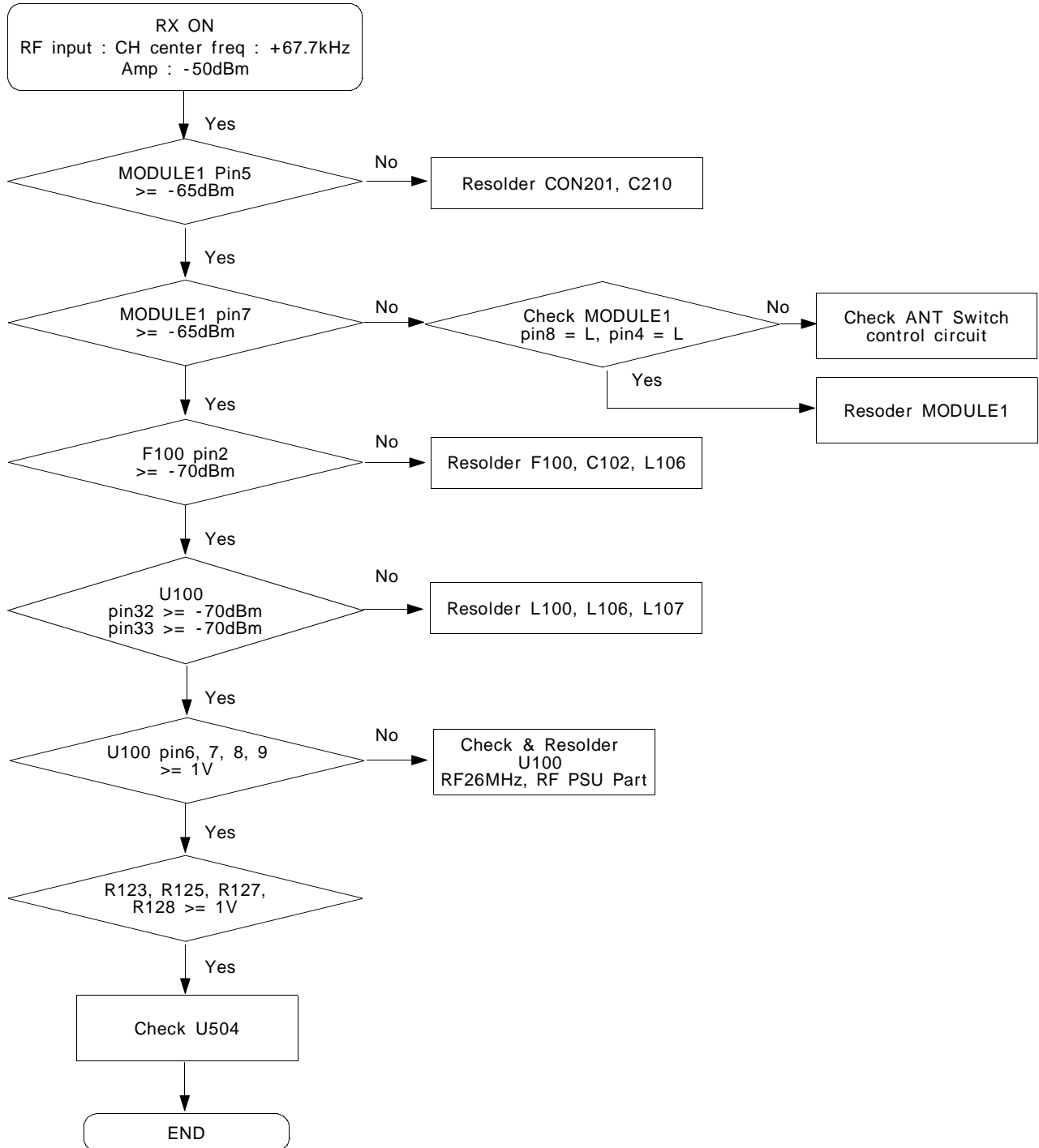
9. Back Light (for Color Main LCD)



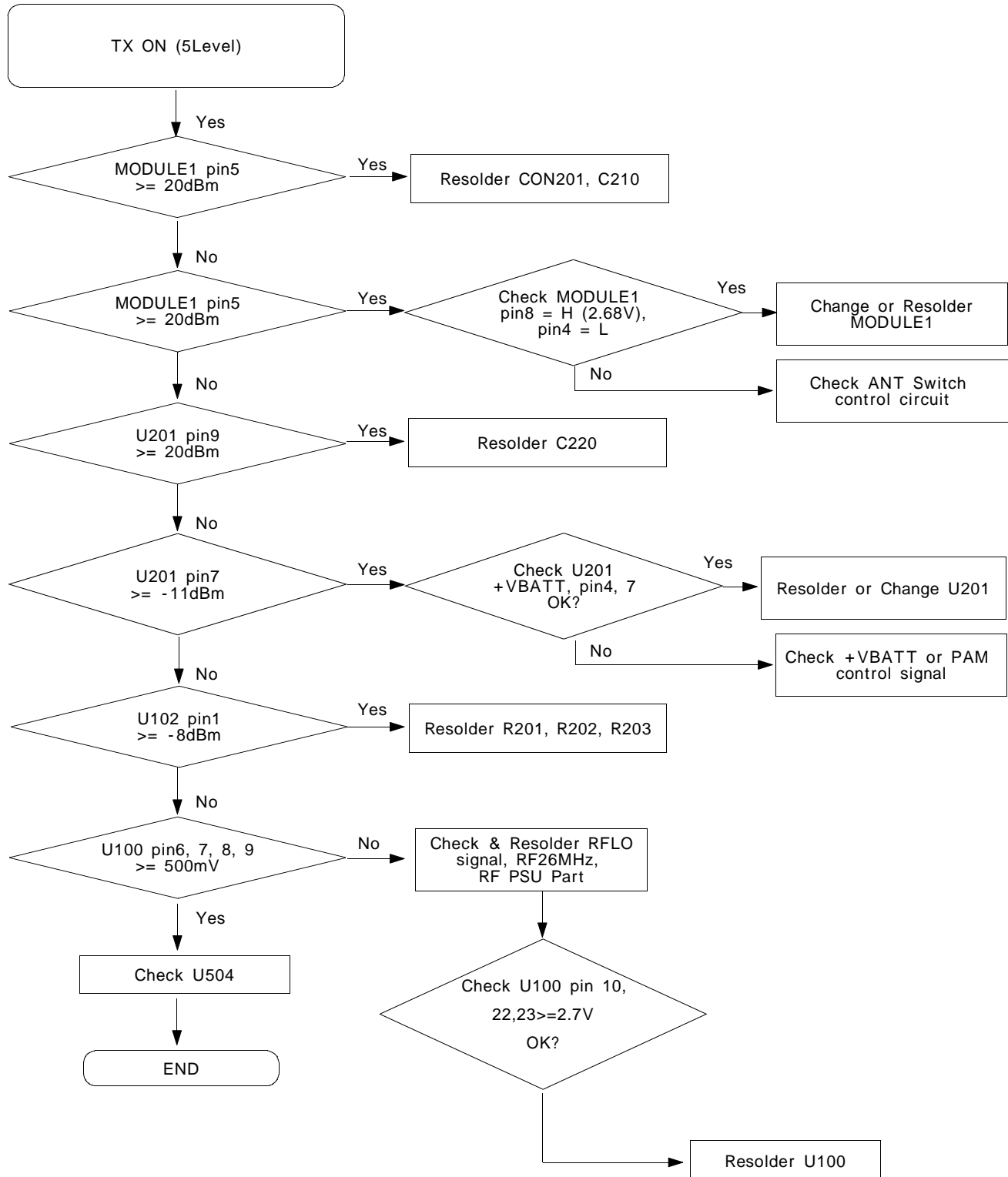
10. Key Back Light



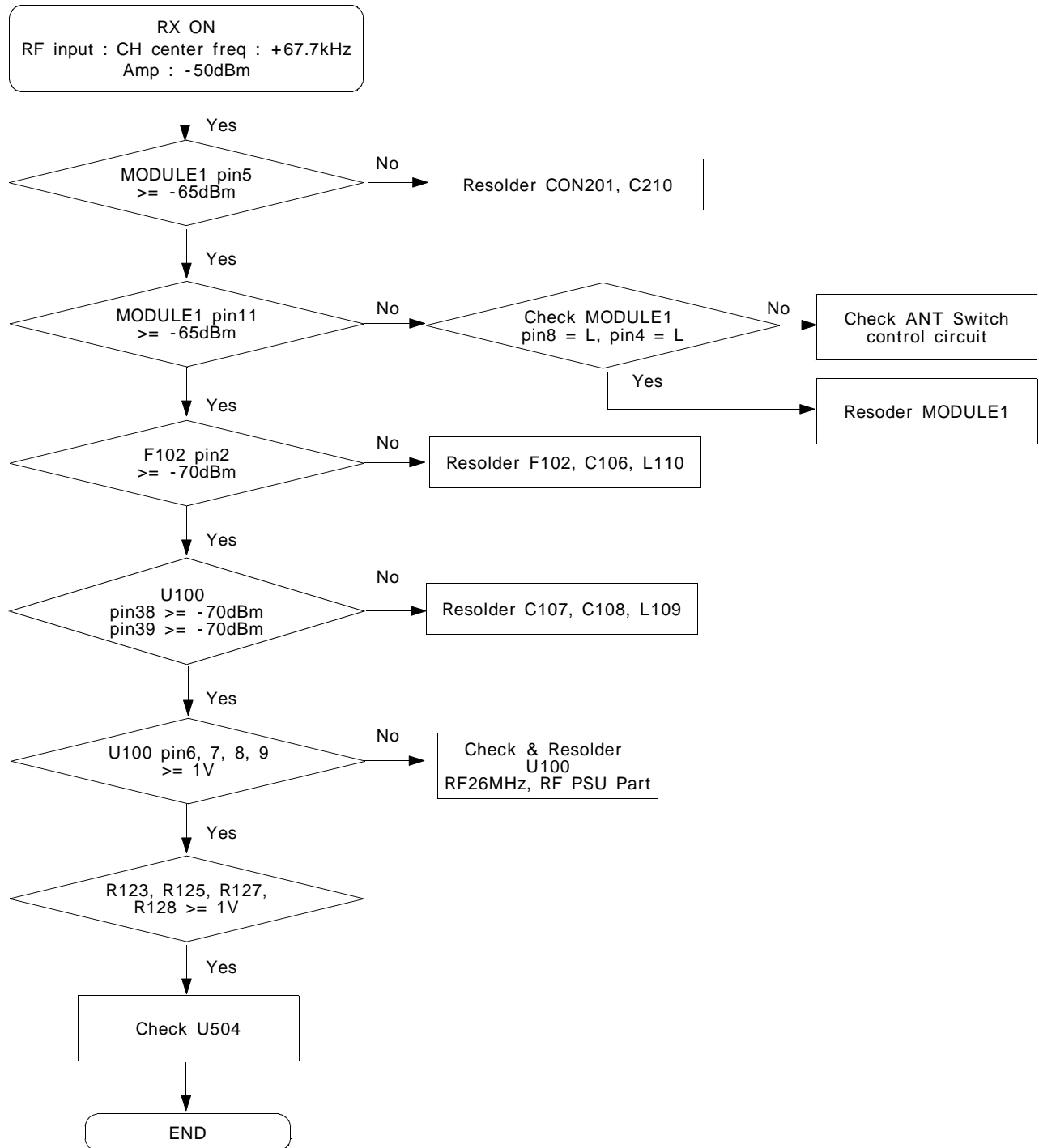
11. GSM Receiver



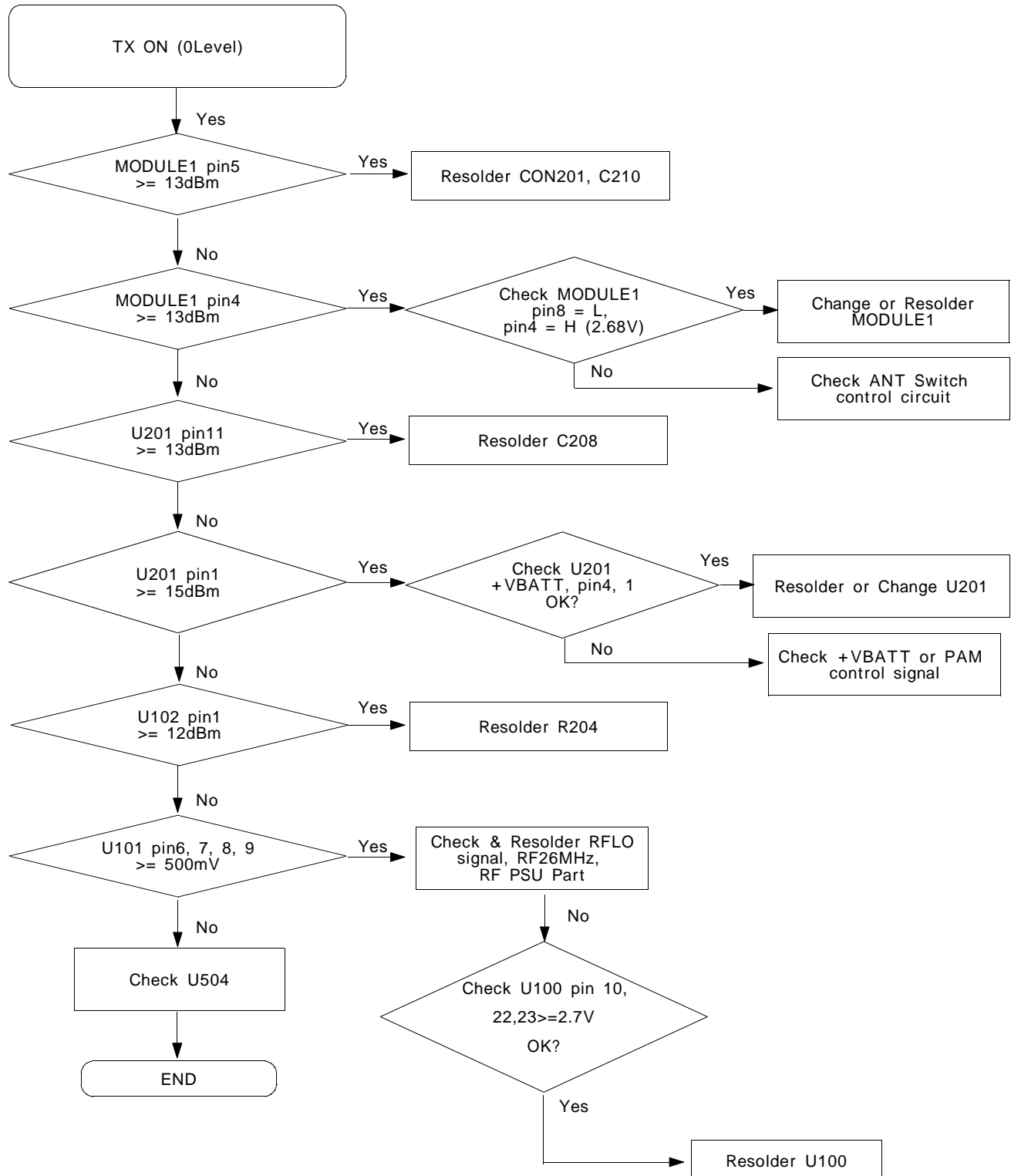
12. GSM Transmitter



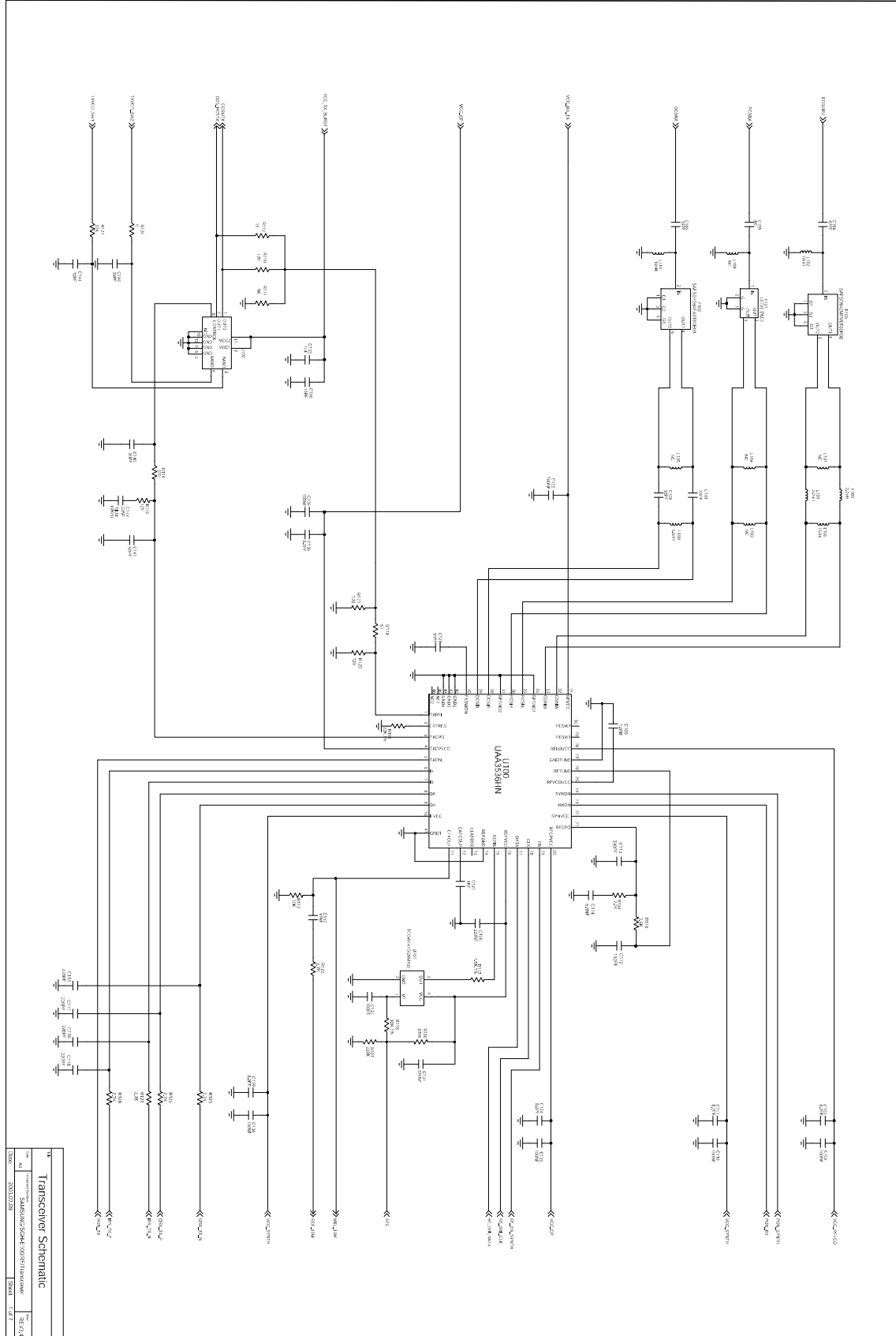
13. DCS Receiver



14. DCS Transmitter



Transmitter



Transceiver Schematic	
Rev. 1.0	Rev. 1.0
2003/03/20	2003/03/20
2003/03/20	2003/03/20

