

SAMSUNG

DUAL BAND GSM TELEPHONE SGH-A300

SERVICE *Manual*

DUAL BAND GSM TELEPHONE



CONTENTS

1. Exploded Views and Parts List
2. Electrical Parts List
3. Block Diagrams
4. PCB Diagrams
5. Flow Chart of Troubleshooting and Circuit Diagram

1. Exploded Views and Parts List

- 1-1 SGH-A300 GSM Telephone Exploded View**
- 1-2 SGH-A300 GSM Telephone Parts List**
- 1-3 SGH-A300 Travel Adapter**
- 1-4 SGH-A300 Travel Adapter Parts List**
- 1-5 SGH-A300 Cigarette Lighter Adaptor**
- 1-6 SGH-A300 Cigarette Lighter Adapter Parts List**
- 1-7 SGH-A300 Test Jig**
 - 1-7-1 SGH-A300 Test Jig Cable**
 - 1-7-2 SGH-A300 RF Jig Cable**
 - 1-7-3 SGH-A300 Test Jig**

2. Electrical Parts List

3. Block Diagrams

- 3-1 Main Block Diagram**
- 3-2 Main RF**
 - 3-2-1 RF Tx Part**
 - 3-2-2 RF Rx Part**

4. PCB Diagrams

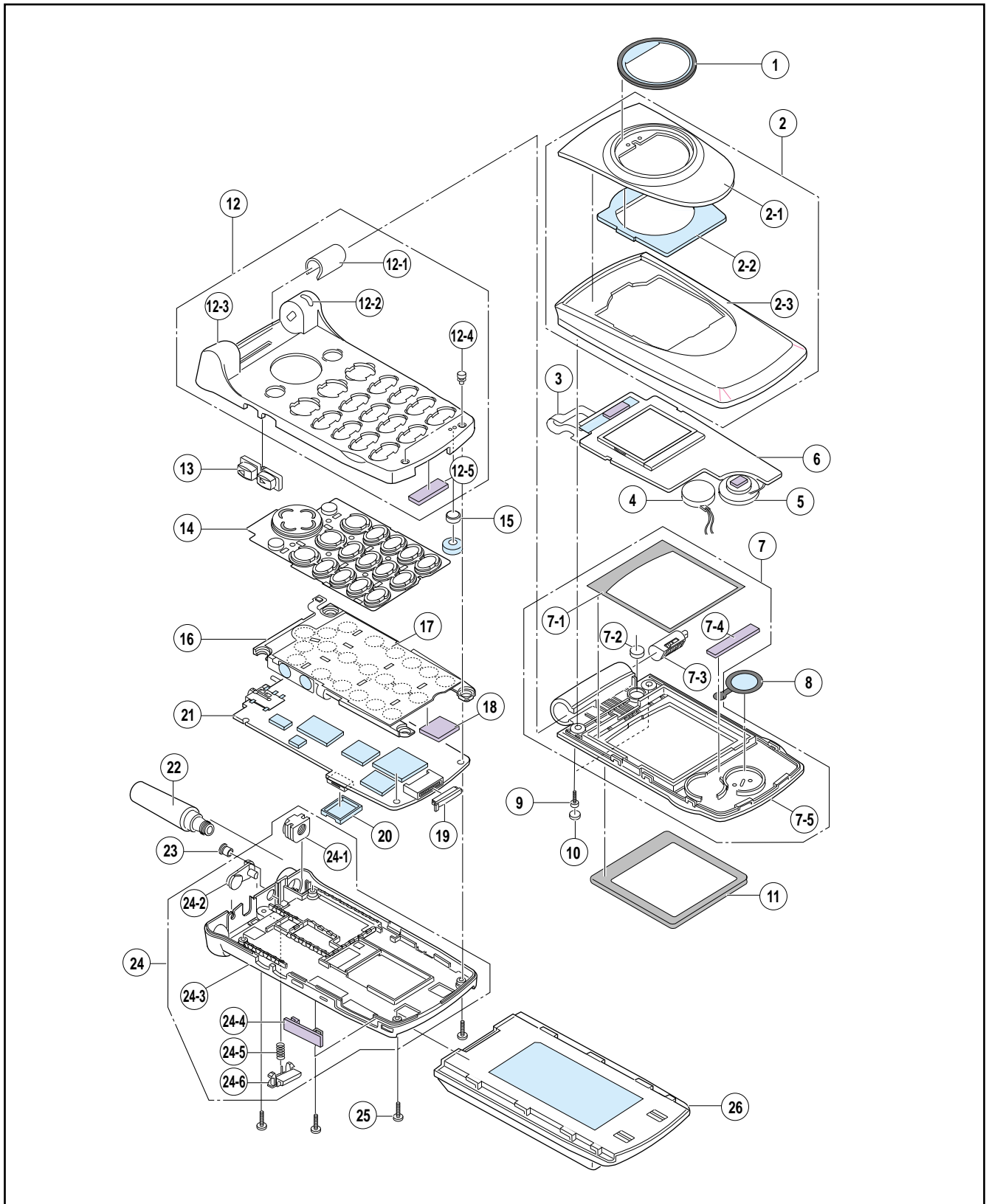
- 4-1 Main Top**
- 4-2 Main Bottom**

5. Flow chart of trouble shooting

- 5-1 Power ON**
- 5-2 Initial**
- 5-3 Sim Part**
- 5-4 Charging Part**
- 5-5 Microphone Part**
- 5-6 Speaker Part**
- 5-7 Key Data Input**
- 5-8 Ring Indicator**
- 5-9 Back Light**
- 5-10 Alert Tone**
- 5-11 GSM Receiver**
- 5-12 GSM Transmit**
- 5-13 DCS Receiver**
- 5-14 DCS Transmit**

1. Exploded View and its Parts List

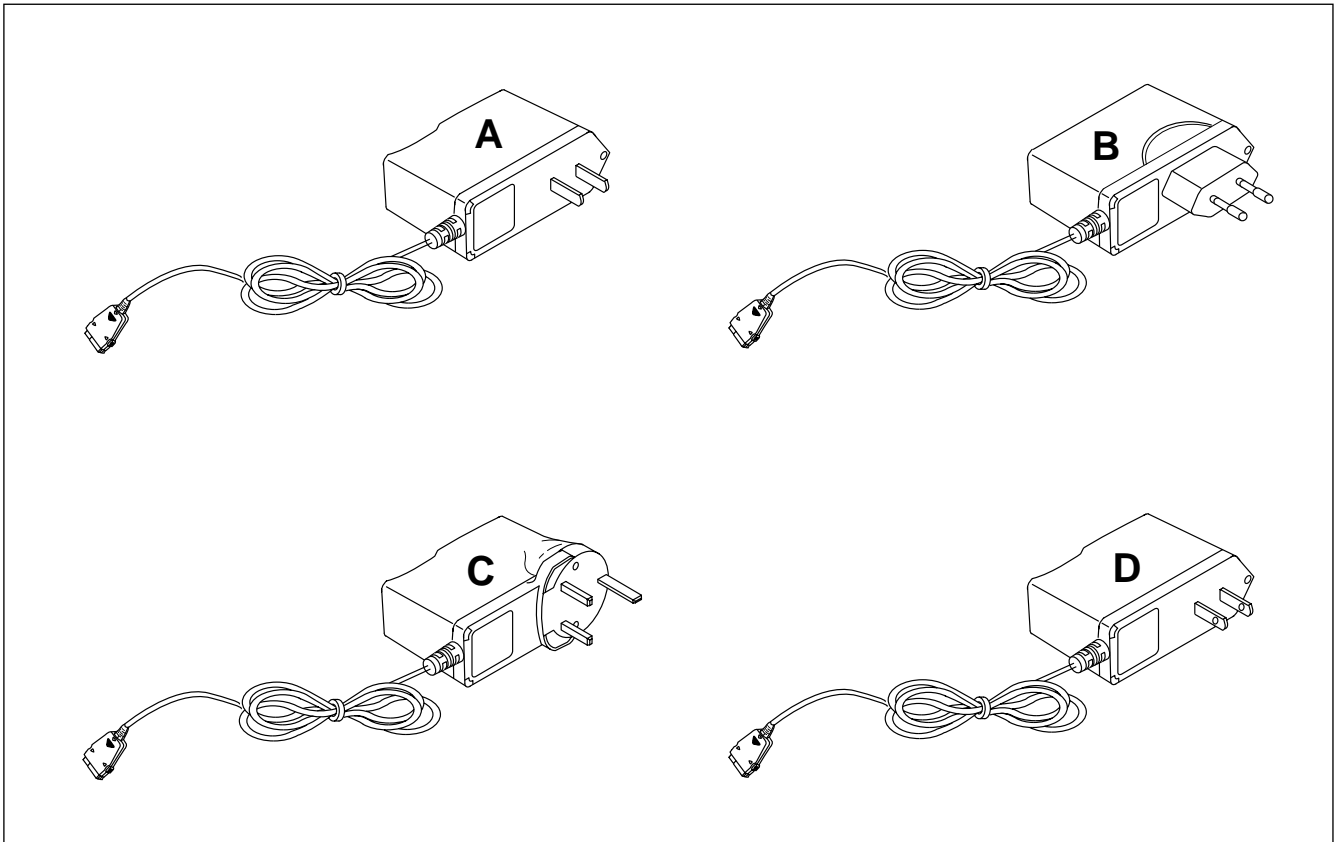
1-1 SGH-A300 GSM Telephone Exploded View



1-2 SGH-A300 GSM Telephone Parts List

Location No.	Description	SEC CODE		Remark
		Blue-Tinted Silver	Silver	
1	DUAL WINDOW	GH72-01793F	GH72-01793E	
2	SUA, FOLDER UPPER	GH75-01004B	GH75-01004A	
	2-1 DECORATION	GH71-00311B	GH71-00311C	
	2-2 SPONDGE-DUAL LCD	GH74-00819A	GH74-00819A	
	2-3 FOLDER UPPER	GH72-01795D	GH72-01795D	
3	F-PCB	GH59-00189A	GH59-00189A	
4	MOTOR	GH31-00018A	GH31-00018A	
5	SPEAKER	3001-001215	3001-001215	
6	LCD ASS'Y	GH07-00072A	GH07-00072A	
7	SUA, FOLDER LOWER	GH75-01016A	GH75-01016A	
	7-1 SPONGE LCD	GH74-00939A	GH74-00939A	
	7-2 MAGNETIC	-	-	
	7-3 SUA, HINGE ASS'Y	GH75-01087A	GH75-01087A	
	7-4 SPONGE PCB SUPPORT	GH74-00953A	GH74-00953A	
	7-5 FOLDER LOWER	GH72-02317A	GH72-02317A	
8	SHIELD NET	GH74-01244A	GH74-01244A	
9	SCREW MACHINE	6001-000464	6001-000464	
10	DUMMY LABEL	GH68-00370C	GH68-00370C	
11	LCD WINDOW	GH72-02385A	GH72-02385A	
12	SUA, FRONT CASE ASS'Y	GH75-01001A	GH75-01001A	
	12-1 HINGE DUMMY	GH72-02420A	GH72-02420A	
	12-2 LED LENS	GH72-00287A	GH72-00287A	
	12-3 FRONT CASE	GH72-02135A	GH72-02135A	
	12-4 FOLDER HOLDER	GH73-00263B	GH73-00263B	
	12-5 SHIELD SPONGE	GH74-01243A	GH74-01243A	
13	VOLUME KEY	GH72-01572A	GH72-01572A	
14	KEY PAD	GH72-01582F	GH72-01582F	
15	MIC	3003-001060	3003-001060	
16	SHIELD COVER	GH71-00459A	GH71-00459A	
17	KEY PAD ASS'Y	GH59-00188A	GH59-00188A	
18	RUBBER SUPPORT	GH73-00676A	GH73-00676A	
19	IF CONN-COVER	GH73-00756A	GH73-00756A	
20	BUZZER HOLDER	GH73-00653A	GH73-00653A	
21	PBA	GH92-00872A	GH92-00872A	
22	ANTENNA	GH42-00100A	GH42-00100A	
23	RF JACK DUMMY	GH73-00611A	GH73-00611A	
24	SUA, REAR CASE	GH75-01002A	GH75-01002A	
	24-1 ANTENNA BRACKET	GH71-00392A	GH71-00392A	
	24-2 EAR JACK COVER	GH72-01574C	GH72-01574C	
	24-3 REAR COVER	GH72-02136A	GH72-02136A	
	24-4 IRDA WINDOW	GH72-02138A	GH72-02138A	
	24-5 LOCKER SPRING	GH70-00063A	GH70-00063A	
	24-6 LOCKER-BATTERY	GH72-01579C	GH72-01579C	
25	SCREW MACHINE	6001-00883	6001-00883	
26	BATTERY	GH43-00315A	GH43-00315A	850 mAh
		GH43-00316A	GH43-00316A	550 mAh

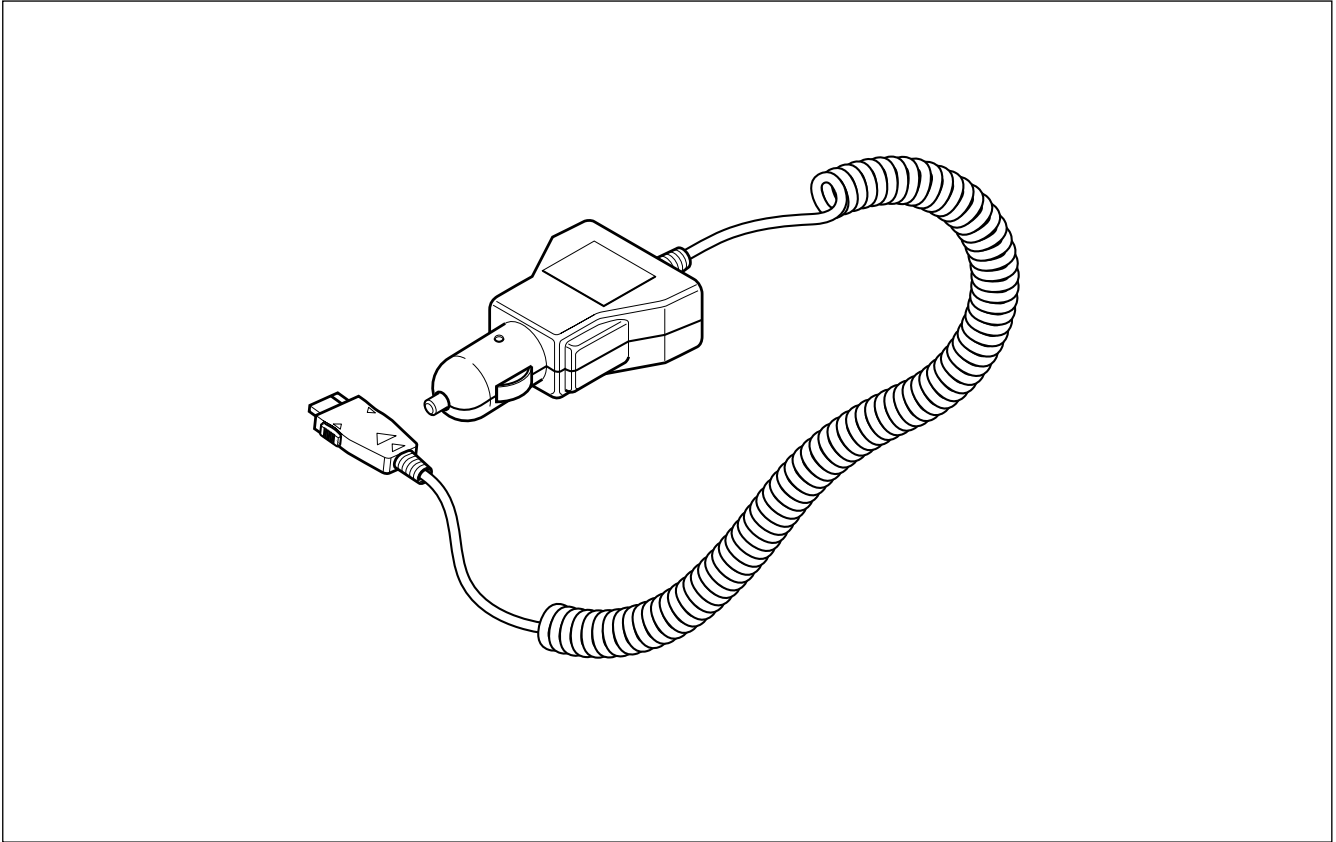
1-3 SGH-A300 Travel Adapter



1-4 SGH-A300 Travel Adapter Parts List

TYPE	SEC CODE	REMARK
A	GH44-00171A	CHINA
B	GH44-00184A	EUROPE
C	GH44-00171C	UNITED KINGDOM
D	Gh44-00171E	TAIWAN

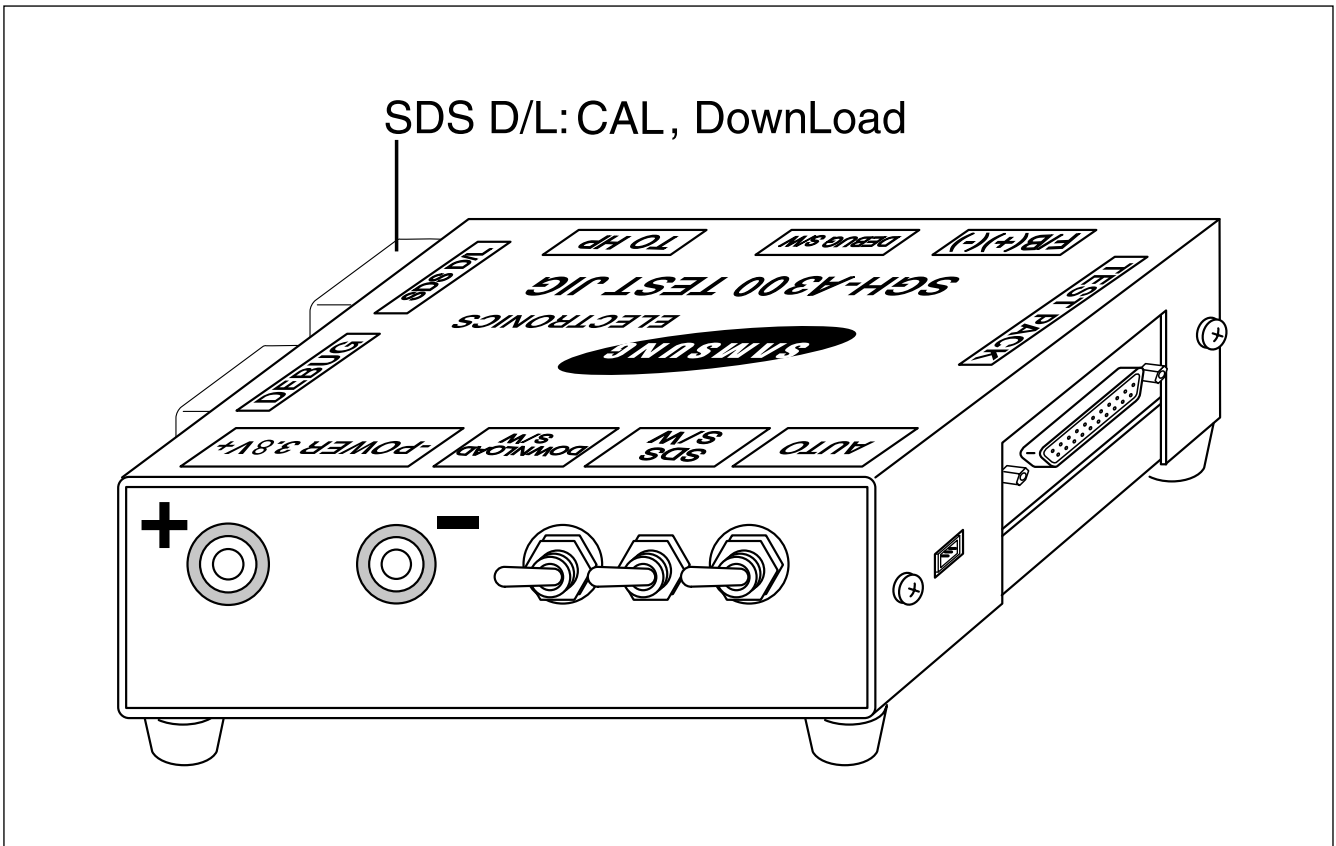
1-5 SGH-A300 Cigarette Lighter Adaptor



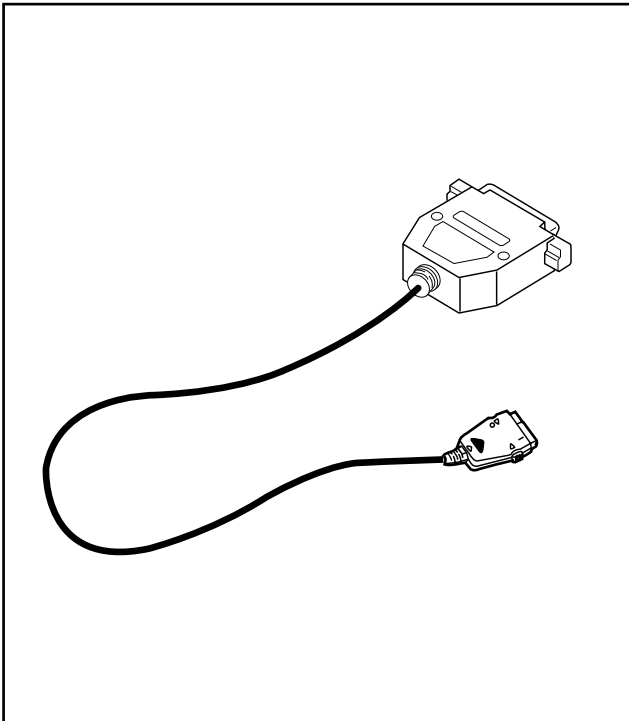
1-6 SGH-A300 Cigarette Lighter Adapter Parts List

DESCRIPTION	SEC CODE	REMARK
Cigarette Lighter Adapter Code	GH44-00195A	BLACK

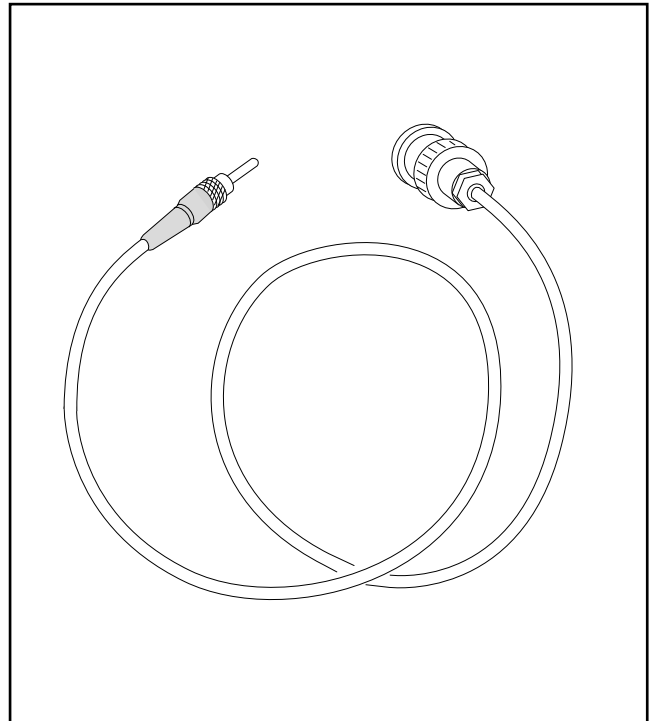
1-7 SGH-A300 Test Jig (GH80-00161A)



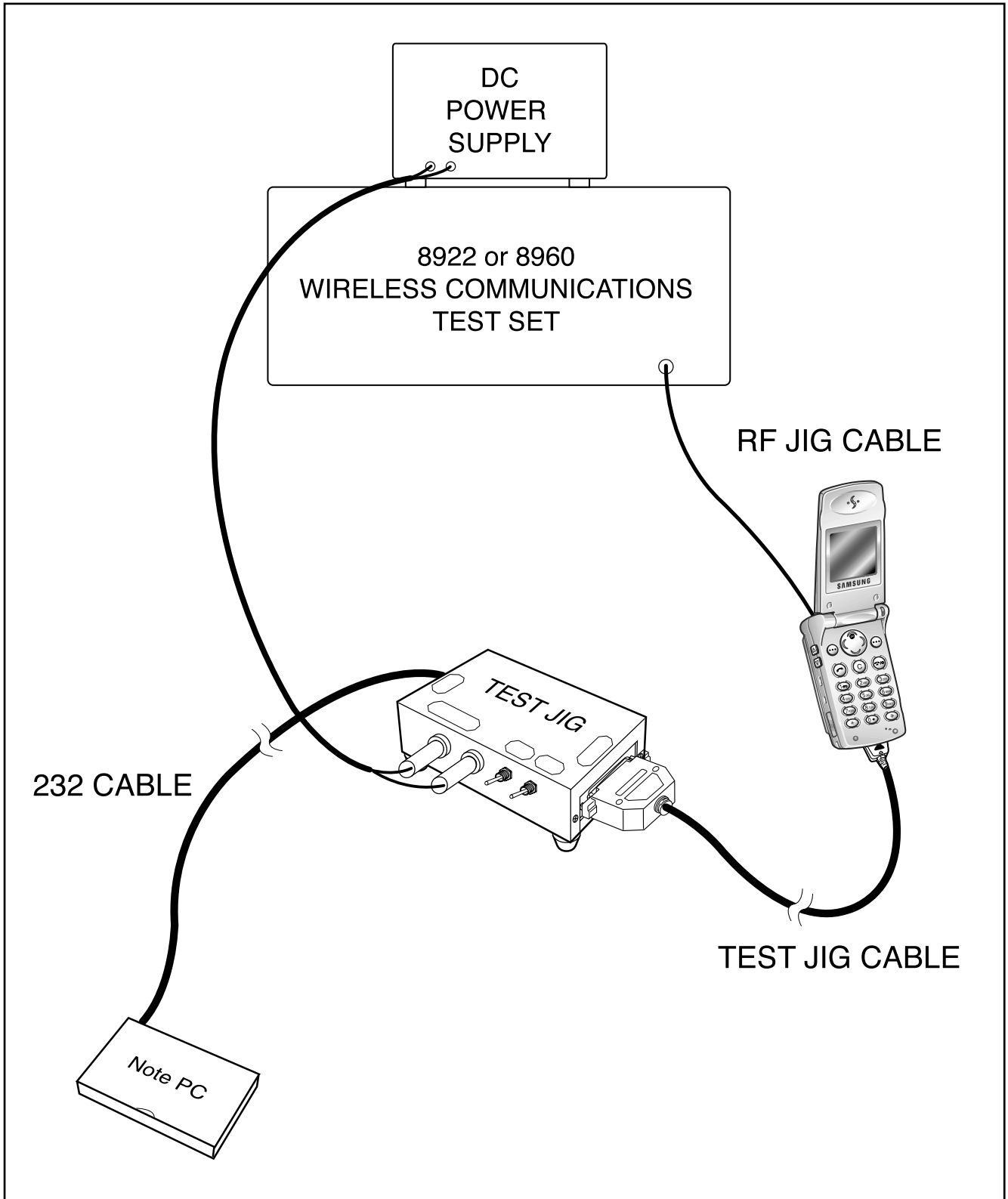
1-7-1 SGH-A300 Test Jig Cable (GH39-00096A)



1-7-2 SGH-A300 RF Jig Cable (GH39-00026A)



1-7-3 SGH-A300 Test Jig



2. SGH-A300 Electrical Parts List

Level	SEC CODE	REFERENCE	DESCRIPTIONS	Remark
1	3002-001101	AU600	88dB, 3.6 V, 100 mA, 2550Hz, TP	
2	4302-001119	BAT200	3 V, 0.1MAH, -, -, 3.1 V, -	
3	2203-002443	C100	0.33 nF, 10 %, 50 V, X7R, TP, 1005	
4	2203-005065	C101	1000 nF, +80-20 %, 10 V, Y5 V, TP, 1608	
5	2203-000386	C102	0.015 nF, 5 %, 50 V, NP0, TP, 1005	
6	2203-005571	C103	10000 nF, +80-20 %, 6.3 V, Y5 V, TP, 2012	
7	2203-000359	C104	0.15 nF, 5 %, 50 V, NP0, TP, 1005	
8	2203-005509	C105	330 nF, +80-20 %, 10 V, Y5 V, TP, 1005	
9	2203-000233	C106	0.1 nF, 5 %, 50 V, NP0, TP, 1005	
10	2203-000812	C107	0.033 nF, 5 %, 50 V, NP0, TP, 1005	
11	2404-001151	C108	33UF, 20 %, 6.3 V, LZ, TP, 3216	
12	2203-005571	C109	10000 nF, +80-20 %, 6.3 V, Y5 V, TP, 2012	
13	2203-000278	C110	0.01 nF, 0.5 pF, 50 V, NP0, TP, 1005	
14	2203-000628	C111	0.022 nF, 5 %, 50 V, NP0, TP, 1005	
15	2203-001432	C112	47 nF, +80-20 %, 16 V, Y5 V, TP, 1005	
16	2203-000812	C113	0.033 nF, 5 %, 50 V, NP0, TP, 1005	
17	2203-005061	C114	100 nF, +80-20 %, 16 V, Y5 V, TP, 1005	
18	2203-001432	C115	47 nF, +80-20 %, 16 V, Y5 V, TP, 1005	
19	2203-000628	C116	0.022 nF, 5 %, 50 V, NP0, TP, 1005	
20	2203-000812	C117	0.033 nF, 5 %, 50 V, NP0, TP, 1005	
21	2203-005571	C118	10000 nF, +80-20 %, 6.3 V, Y5 V, TP, 2012	
22	2203-005061	C119	100 nF, +80-20 %, 16 V, Y5 V, TP, 1005	
23	2203-005061	C120	100 nF, +80-20 %, 16 V, Y5 V, TP, 1005	
24	2203-001432	C121	47 nF, +80-20 %, 16 V, Y5 V, TP, 1005	
25	2404-001101	C200	1uF, 20 %, 16 V, GP, TP, 2012, -	
26	2203-005061	C201	100 nF, +80-20 %, 16 V, Y5 V, TP, 1005	
27	2203-005509	C202	330 nF, +80-20 %, 10 V, Y5 V, TP, 1005	
28	2203-000359	C203	0.15 nF, 5 %, 50 V, NP0, TP, 1005	
29	2203-000359	C204	0.15 nF, 5 %, 50 V, NP0, TP, 1005	
30	2203-005061	C205	100 nF, +80-20 %, 16 V, Y5 V, TP, 1005	
31	2203-000254	C206	10 nF, 10 %, 16 V, X7R, TP, 1005, -	
32	2203-000679	C207	0.027 nF, 5 %, 50 V, NP0, TP, 1005	
33	2404-001101	C208	1uF, 20 %, 16 V, GP, TP, 2012, -	
34	2203-000679	C209	0.027 nF, 5 %, 50 V, NP0, TP, 1005	
35	2404-001155	C210	100UF, 10 %, 6.3 V, LZ, TP, 4427	
36	2203-000359	C211	0.15 nF, 5 %, 50 V, NP0, TP, 1005	
37	2203-005509	C212	330 nF, +80-20 %, 10 V, Y5 V, TP, 1005	

Level	SEC CODE	REFERENCE	DESCRIPTIONS	Remark
38	2203-005061	C213	100 nF, +80-20 %, 16 V, Y5 V, TP, 1005	
39	2203-005061	C214	100 nF, +80-20 %, 16 V, Y5 V, TP, 1005	
40	2203-005061	C280	100 nF, +80-20 %, 16 V, Y5 V, TP, 1005	
41	2203-000233	C300	0.1 nF, 5 %, 50 V, NP0, TP, 1005	
42	2203-000233	C301	0.1 nF, 5 %, 50 V, NP0, TP, 1005	
43	2203-005053	C302	0.0039 nF, 0.25 pF, 50 V, NP0, TP, 1005	
44	2203-005053	C303	0.0039 nF, 0.25 pF, 50 V, NP0, TP, 1005	
45	2203-005446	C304	0.0027 nF, 0.1 pF, 50 V, NP0, TP, 1005	
46	2404-001234	C305	68uF, 20 %, 6.3 V, -, TP, 3.3 x 2.7 x 1.7 mm	
47	2203-000628	C307	0.022 nF, 5 %, 50 V, NP0, TP, 1005	
48	2203-000438	C308	1 nF, 10 %, 50 V, X7R, TP, 1005, -	
49	2203-005053	C309	0.0039 nF, 0.25 pF, 50 V, NP0, TP, 1005	
50	2203-000628	C310	0.022 nF, 5 %, 50 V, NP0, TP, 1005	
51	2203-000628	C311	0.022 nF, 5 %, 50 V, NP0, TP, 1005	
52	2301-001230	C312	10 nF, 5 %, 16 V, TP, 2012, -	
53	2404-001105	C313	10UF, 20 %, 6.3 V, GP, TP, 2012	
54	2203-000940	C314	470 pF, 10 %, 50 V, X7R, TP, 1005, -	
55	2203-000812	C315	0.033 nF, 5 %, 50 V, NP0, TP, 1005	
56	2203-000254	C316	10 nF, 10 %, 16 V, X7R, TP, 1005, -	
57	2203-000254	C317	10 nF, 10 %, 16 V, X7R, TP, 1005, -	
58	2203-000836	C318	390 pF, 10 %, 50 V, X7R, TP, 1005, -	
59	2203-005664	C319	4700 nF, 10 %, 6.3 V, X5R, TP, 2012	
60	2203-000812	C320	0.033 nF, 5 %, 50 V, NP0, TP, 1005	
61	2203-000438	C321	1 nF, 10 %, 50 V, X7R, TP, 1005, -	
62	2203-000278	C322	0.01 nF, 0.5 pF, 50 V, NP0, TP, 1005	
63	2203-005446	C323	0.0027 nF, 0.1 pF, 50 V, NP0, TP, 1005	
64	2203-000278	C324	0.01 nF, 0.5 pF, 50 V, NP0, TP, 1005	
65	2203-000425	C326	0.018 nF, 5 %, 50 V, NP0, TP, 1005	
66	2203-000425	C327	0.018 nF, 5 %, 50 V, NP0, TP, 1005	
67	2203-000940	C329	470 pF, 10 %, 50 V, X7R, TP, 1005, -	
68	2203-000330	C330	0.012 nF, 5 %, 50 V, NP0, TP, 1005	
69	2203-000836	C331	390 pF, 10 %, 50 V, X7R, TP, 1005, -	

Level	SEC CODE	REFERENCE	DESCRIPTIONS	Remark
70	2203-005481	C332	47 nF, 10 %, 10 V, X7R, TP, 1005, -	
71	2203-005664	C333	4700 nF, 10 %, 6.3 V, X5R, TP, 2012	
72	2203-000386	C334	0.015 nF, 5 %, 50 V, NP0, TP, 1005	
73	2203-000812	C335	0.033 nF, 5 %, 50 V, NP0, TP, 1005	
74	2301-001230	C336	10 nF, 5 %, 16 V, TP, 2012, -	
75	2203-005158	C337	0.0022 nF, 0.25 pF, 50 V, NP0, TP, 1005	
76	2203-005158	C338	0.0022 nF, 0.25 pF, 50 V, NP0, TP, 1005	
77	2203-000812	C339	0.033 nF, 5 %, 50 V, NP0, TP, 1005	
78	2203-000812	C340	0.033 nF, 5 %, 50 V, NP0, TP, 1005	
79	2203-002443	C341	0.33 nF, 10 %, 50 V, X7R, TP, 1005	
80	2203-002443	C342	0.33 nF, 10 %, 50 V, X7R, TP, 1005	
81	2203-002443	C343	0.33 nF, 10 %, 50 V, X7R, TP, 1005	
82	2203-002443	C344	0.33 nF, 10 %, 50 V, X7R, TP, 1005	
83	2203-000254	C345	10 nF, 10 %, 16 V, X7R, TP, 1005, -	
84	2203-000254	C346	10 nF, 10 %, 16 V, X7R, TP, 1005, -	
85	2203-000233	C401	0.1 nF, 5 %, 50 V, NP0, TP, 1005	
86	2203-005061	C402	100 nF, +80-20 %, 16 V, Y5 V, TP, 1005	
87	2203-005065	C403	1000 nF, +80-20 %, 10 V, Y5 V, TP, 1608	
88	2203-005065	C404	1000 nF, +80-20 %, 10 V, Y5 V, TP, 1608	
89	2203-005664	C405	4700 nF, 10 %, 6.3 V, X5R, TP, 2012	
90	2203-005664	C406	4700 nF, 10 %, 6.3 V, X5R, TP, 2012	
91	2203-000254	C407	10 nF, 10 %, 16 V, X7R, TP, 1005, -	
92	2203-005065	C408	1000 nF, +80-20 %, 10 V, Y5 V, TP, 1608	
93	2203-000995	C409	0.047 nF, 5 %, 50 V, NP0, TP, 1005	
94	2203-000359	C410	0.15 nF, 5 %, 50 V, NP0, TP, 1005	
95	2203-000359	C411	0.15 nF, 5 %, 50 V, NP0, TP, 1005	
96	2203-000254	C412	10 nF, 10 %, 16 V, X7R, TP, 1005, -	
97	2203-005065	C413	1000 nF, +80-20 %, 10 V, Y5 V, TP, 1608	
98	2203-000233	C414	0.1 nF, 5 %, 50 V, NP0, TP, 1005	
99	2404-001155	C415	100 uF, 10 %, 6.3 V, LZ, TP, 4427	
100	2203-005562	C416	10000 nF, +80-20 %, 10 V, Y5 V, TP, 3216	
101	2203-005061	C417	100 nF, +80-20 %, 16 V, Y5 V, TP, 1005	

Level	SEC CODE	REFERENCE	DESCRIPTIONS	Remark
102	2203-000940	C418	470 pF, 10 %, 50 V, X7R, TP, 1005, -	
103	2203-000254	C419	10 nF, 10 %, 16 V, X7R, TP, 1005, -	
104	2404-001086	C420	4.7uF, 20 %, 6.3 V, GP, TP, 2012, -	
105	2203-000233	C500	0.1 nF, 5 %, 50 V, NP0, TP, 1005	
106	2203-000438	C501	1 nF, 10 %, 50 V, X7R, TP, 1005, -	
107	2203-000812	C503	0.033 nF, 5 %, 50 V, NP0, TP, 1005	
108	2203-000233	C504	0.1 nF, 5 %, 50 V, NP0, TP, 1005	
109	2203-000233	C505	0.1 nF, 5 %, 50 V, NP0, TP, 1005	
110	2203-000278	C506	0.01 nF, 0.5 pF, 50 V, NP0, TP, 1005	
111	2203-005056	C507	0.0068 nF, 0.25 pF, 50 V, NP0, TP, 1005	
112	2203-000233	C508	0.1 nF, 5 %, 50 V, NP0, TP, 1005	
113	2203-000233	C509	0.1 nF, 5 %, 50 V, NP0, TP, 1005	
114	2203-005234	C511	0.0012 nF, 0.25 pF, 50 V, NP0, TP, 1005	
115	2203-000628	C512	0.022 nF, 5 %, 50 V, NP0, TP, 1005	
116	2203-000628	C513	0.022 nF, 5 %, 50 V, NP0, TP, 1005	
117	2203-001385	C514	0.0015 nF, 0.25 pF, 50 V, NP0, TP, 1005	
118	2203-000278	C515	0.01 nF, 0.5 pF, 50 V, NP0, TP, 1005	
119	2203-000628	C516	0.022 nF, 5 %, 50 V, NP0, TP, 1005	
120	2203-000628	C517	0.022 nF, 5 %, 50 V, NP0, TP, 1005	
121	2203-000812	C518	0.033 nF, 5 %, 50 V, NP0, TP, 1005	
122	2203-000812	C519	0.033 nF, 5 %, 50 V, NP0, TP, 1005	
123	2203-000278	C520	0.01 nF, 0.5 pF, 50 V, NP0, TP, 1005	
124	2404-001155	C521	100 uF, 10 %, 6.3 V, LZ, TP, 4427	
125	2203-005148	C522	100 nF, 10 %, 16 V, X7R, TP, 1608, -	
126	2203-005509	C524	330 nF, +80-20 %, 10 V, Y5 V, TP, 1005	
127	2203-000628	C525	0.022 nF, 5 %, 50 V, NP0, TP, 1005	
128	2203-000233	C526	0.1 nF, 5 %, 50 V, NP0, TP, 1005	
129	2203-000812	C527	0.033 nF, 5 %, 50 V, NP0, TP, 1005	
130	2203-000254	C528	10 nF, 10 %, 16 V, X7R, TP, 1005, -	
131	2203-000233	C530	0.1 nF, 5 %, 50 V, NP0, TP, 1005	
132	2203-000233	C532	0.1 nF, 5 %, 50 V, NP0, TP, 1005	
133	2203-000812	C533	0.033 nF, 5 %, 50 V, NP0, TP, 1005	

Level	SEC CODE	REFERENCE	DESCRIPTIONS	Remark
134	2203-005061	C534	100 nF, +80-20 %, 16 V, Y5 V, TP, 1005	
135	2203-000278	C535	0.01 nF, 0.5 pF, 50 V, NP0, TP, 1005	
136	2203-000628	C537	0.022 nF, 5 %, 50 V, NP0, TP, 1005	
137	2203-000438	C538	1 nF, 10 %, 50 V, X7R, TP, 1005, -	
138	2203-000812	C539	0.033 nF, 5 %, 50 V, NP0, TP, 1005	
139	2203-000696	C540	0.002 nF, 0.25 pF, 50 V, NP0, TP, 1005	
140	2203-000466	C541	0.001 nF, 0.25 pF, 50 V, NP0, TP, 1005	
141	2203-000679	C542	0.027 nF, 5 %, 50 V, NP0, TP, 1005	
142	2203-000233	C543	0.1 nF, 5 %, 50 V, NP0, TP, 1005	
143	2301-001475	C544	3.9 nF, 5 %, 16 V, TP, 2.0 x 1.25 x 0.9 mm, -	
144	2203-000995	C545	0.047 nF, 5 %, 50 V, NP0, TP, 1005	
145	2203-000628	C546	0.022 nF, 5 %, 50 V, NP0, TP, 1005	
146	2203-000278	C547	0.01 nF, 0.5 pF, 50 V, NP0, TP, 1005	
147	2203-001432	C548	47 nF, +80-20 %, 16 V, Y5 V, TP, 1005	
148	2203-005065	C549	1000 nF, +80-20 %, 10 V, Y5 V, TP, 1608	
149	2203-000812	C600	0.033 nF, 5 %, 50 V, NP0, TP, 1005	
150	2203-000628	C601	0.022 nF, 5 %, 50 V, NP0, TP, 1005	
151	2404-001151	C602	33UF, 20 %, 6.3 V, LZ, TP, 3216	
152	2203-000438	C604	1 nF, 10 %, 50 V, X7R, TP, 1005, -	
153	2203-000628	C605	0.022 nF, 5 %, 50 V, NP0, TP, 1005	
154	2203-005367	C606	6800 nF, +80-20 %, 25 V, Y5 V, TP, 3225	
155	2203-000812	C608	0.033 nF, 5 %, 50 V, NP0, TP, 1005	
156	2203-000812	C609	0.033 nF, 5 %, 50 V, NP0, TP, 1005	
157	2203-000812	C611	0.033 nF, 5 %, 50 V, NP0, TP, 1005	
158	2404-001151	C613	33 uF, 20 %, 6.3 V, LZ, TP, 3216	
159	2203-000812	C614	0.033 nF, 5 %, 50 V, NP0, TP, 1005	
160	2203-005065	C615	1000 nF, +80-20 %, 10 V, Y5 V, TP, 1608	
161	2203-000812	C616	0.033 nF, 5 %, 50 V, NP0, TP, 1005	
162	2203-005061	C617	100 nF, +80-20 %, 16 V, Y5 V, TP, 1005	
163	2203-005061	C618	100 nF, +80-20 %, 16 V, Y5 V, TP, 1005	
164	2203-000628	C620	0.022 nF, 5 %, 50 V, NP0, TP, 1005	
165	2203-005065	C621	1000 nF, +80-20 %, 10 V, Y5 V, TP, 1608	

Level	SEC CODE	REFERENCE	DESCRIPTIONS	Remark
166	2203-005065	C622	1000 nF, +80-20 %, 10 V, Y5 V, TP, 1608	
167	2203-000628	C625	0.022 nF, 5 %, 50 V, NP0, TP, 1005	
168	2404-001155	C627	100UF, 10 %, 6.3 V, LZ, TP, 4427	
169	2203-005065	C630	1000 nF, +80-20 %, 10 V, Y5 V, TP, 1608	
170	2203-001412	C631	0.03 nF, 5 %, 50 V, NP0, TP, 1005	
171	2203-005061	C632	100 nF, +80-20 %, 16 V, Y5 V, TP, 1005	
172	2203-001412	C633	0.03 nF, 5 %, 50 V, NP0, TP, 1005	
173	2404-001020	C634	10 uF, 20 %, 10 V, GP, TP, 3216, 3.2	
174	2404-001020	C635	10 uF, 20 %, 10 V, GP, TP, 3216, 3.2	
175	2203-000812	C636	0.033 nF, 5 %, 50 V, NP0, TP, 1005	
176	2203-000812	C637	0.033 nF, 5 %, 50 V, NP0, TP, 1005	
177	2203-000812	C638	0.033 nF, 5 %, 50 V, NP0, TP, 1005	
178	2203-000812	C639	0.033 nF, 5 %, 50 V, NP0, TP, 1005	
179	2203-000812	C640	0.033 nF, 5 %, 50 V, NP0, TP, 1005	
180	2203-000812	C641	0.033 nF, 5 %, 50 V, NP0, TP, 1005	
181	2203-000812	C642	0.033 nF, 5 %, 50 V, NP0, TP, 1005	
182	2203-000812	C643	0.033 nF, 5 %, 50 V, NP0, TP, 1005	
183	2203-000812	C644	0.033 nF, 5 %, 50 V, NP0, TP, 1005	
184	2203-000812	C647	0.033 nF, 5 %, 50 V, NP0, TP, 1005	
185	2203-005065	C651	1000 nF, +80-20 %, 10 V, Y5 V, TP, 1608	
186	2203-000359	C652	0.15 nF, 5 %, 50 V, NP0, TP, 1005	
187	2203-000812	C657	0.033 nF, 5 %, 50 V, NP0, TP, 1005	
188	2203-000386	C658	0.015 nF, 5 %, 50 V, NP0, TP, 1005	
189	2203-000386	C659	0.015 nF, 5 %, 50 V, NP0, TP, 1005	
190	3709-001190	CN400	6P, 2.54 mm, SMD, -	
191	3705-001178	CN500	SMC, JACK, 100M ohm, 50 ohm, .5DB	
192	3722-001530	CN600	5P, 2.6PI, AUF, BLK, -	
193	3711-004623	CN601	BOX, 20P, 2R, 0.5mm, SMD-S, AUF	
194	3711-004623	CN602	BOX, 20P, 2R, 0.5mm, SMD-S, AUF	
195	3710-001653	CN603	18P, 1R, 0.5mm, SMD-A, AUF	
196	3711-004814	CN604	-, 2P, -, 2.5 mm, STRAGHIT, AU0.1U, BLK	
197	3711-004814	CN605	-, 2P, -, 2.5 mm, STRAGHIT, AU0.1U, BLK	

Level	SEC CODE	REFERENCE	DESCRIPTIONS	Remark
198	0407-000115	D200	DAN202U, 80 V, 100 mA, CA2-3, SC-70,	
199	0401-001033	D201	MCL4154, 25 V, 200 mA, M-MELF, TP	
200	0405-001093	D300	MA4ST230, 12 V, -, SOT-23, TP	
201	0401-001033	D402	MCL4154, 25 V, 200 mA, M-MELF, TP	
202	0402-001463	D500	HSMS-2825, 15 V, 1A, SOT-143, TP	
203	0407-000115	D601	DAN202U, 80 V, 100 mA, CA2-3, SC-70,	
204	2903-001211	F300	BP, 14.6 MHz, 300KHz, 6dB, 1dB, TP, -	
205	2904-001165	F301	400 MHZ, .28 MHZ, +-70KHZ, TP, 6.5DB, -	
206	2904-001096	F500	1.8425GHz, 75 MHz, +-37.5 MHz/2.5dB	
207	2904-001281	F501	947.5 MHz, 25 MHz, +-12.5 MHz/1.4dB	
208	2703-000310	L100	1.8 uH, 10 %, 0.8 x 1.6 x 0.8 mm	
209	2703-001543	L300	33 nH, 5 %, 1.8 x 1.12 x 1.02 mm	
210	2703-001513	L301	100 nH, 5 %, 1.8 x 1.12 x 1.02 mm	
211	2703-002214	L302	8.2 nH, 5 %, 1.6 x 0.8 x 0.8 mm	
212	2703-001513	L303	100 nH, 5 %, 1.8 x 1.12 x 1.02 mm	
213	2703-001545	L304	47 nH, 5 %, 1.8 x 1.12 x 1.02 mm	
214	2703-001543	L305	33 nH, 5 %, 1.8 x 1.12 x 1.02 mm	
215	2703-001547	L306	10 nH, 5 %, 1.8 x 1.12 x 1.02 mm	
216	2703-001547	L307	10 nH, 5 %, 1.8 x 1.12 x 1.02 mm	
217	2703-001547	L308	10 nH, 5 %, 1.8 x 1.12 x 1.02 mm	
218	2703-002218	L400	100 uH, 20 %, 3.3 x 1.5 x 0.8 mm	
219	2703-001954	L501	2.7 nH, 0.3 nH, 1.0 x 0.5 x 0.5mm	
220	2703-002213	L502	3.3 nH, 5 %, 1.6 x 0.8 x 0.8 mm	
221	2703-002212	L503	1.6 nH, 5 %, 1.6 x 0.8 x 0.8 mm	
222	2703-001425	L504	68 nH, 5 %, 1.6 x 0.8 x 0.8 mm	
223	2703-002213	L505	3.3 nH, 5 %, 1.6 x 0.8 x 0.8 mm	
224	2703-001547	L506	10 nH, 5 %, 1.8 x 1.12 x 1.02 mm	
225	2703-001425	L507	68 nH, 5 %, 1.6 x 0.8 x 0.8 mm	
226	2703-000175	L600	270 nH, 10 %, 0.8 x 1.6 x 0.8 mm	
227	3301-001208	L602	AB, 1.6 x 0.8 x 0.8 mm, -, -	
228	2703-001297	L603	10 nH, 10 %, 1.6 x 0.8 x 0.8 mm	
229	4709-001144	LAM1	897.5/1747.5 MHZ, 19DB/14DB	

Level	SEC CODE	REFERENCE	DESCRIPTIONS	Remark
230	0604-001146	LED600	-, 875NM, 500 mW, 30DEG, TP	
231	2801-003695	OSC100	19.5 MHz, 10ppm, 28-ABK, 10.2 pF, 20	
232	2801-004025	OSC200	0.032768 MHz, 20 ppm, 28-ABK, 1.7fF, 65 kohm, TP	
233	2806-001191	OSC300	1258-1360 MHZ, -, 50 ohm, TP, 2.7 V, 20 mA	
234	0501-000162	Q200	2SA1576, PNP, 200 mW, SOT-323, TP, 180-390	
235	0504-000167	Q201	RN1102, NPN, 100 mW, 10K/10K, SSM, TP	
236	0504-001012	Q202	DTC114YE, NPN, 150 mW, 10K/47K, EMT3, TP	
237	0504-001012	Q203	DTC114YE, NPN, 150 mW, 10K/47K, EMT3, TP	
238	0501-002356	Q204	-, NPN, 250 mW, SOT-323, TP, 250-630	
239	0501-002357	Q400	ZUMT619, NPN, 500 mW, SOT-323, TP, 200-	
240	0501-002202	Q401	MMBT2222AWT1, NPN, 150 mW, SOT-323	
241	0504-001012	Q500	DTC114YE, NPN, 150 mW, 10K/47K, EMT3, TP	
242	0504-001012	Q501	DTC114YE, NPN, 150 mW, 10K/47K, EMT3, TP	
243	0504-000168	Q600	RN1104, NPN, 100 mW, 47K/47K, SSM, TP	
244	0501-002346	Q601	2SB1427, PNP, 500 mW, SOT-89, TP, 390-820	
245	0501-002356	Q603	-, NPN, 250 mW, SOT-323, TP, 250-630	
246	0506-001052	Q604	UMH9N, NPN, 2, 150 mW, SC-88, TP, 68-	
247	0504-001012	Q605	DTC114YE, NPN, 150 mW, 10K/47K, EMT3, TP	
248	2007-000140	R100	1 kohm, 5 %, 1/16 W, DA, TP, 1005	
249	2007-000140	R101	1 kohm, 5 %, 1/16 W, DA, TP, 1005	
250	2007-007771	R102	0 ohm, 5 %, 1/16 W, DA, TP, 1005	
251	2007-001313	R103	330 ohm, 5 %, 1/16 W, DA, TP, 1005	
252	2007-007092	R104	1.1 kohm, 5 %, 1/16 W, DA, TP, 1005	
253	2007-000775	R105	33 kohm, 5 %, 1/16 W, DA, TP, 1005	
254	2007-007468	R106	121 kohm, 1 %, 1/16 W, DA, TP, 1005	
255	2007-007092	R107	1.1 kohm, 5 %, 1/16 W, DA, TP, 1005	
256	2007-000140	R200	1 kohm, 5 %, 1/16 W, DA, TP, 1005	
257	2007-000148	R203	10 kohm, 5 %, 1/16 W, DA, TP, 1005	
258	2007-000148	R204	10 kohm, 5 %, 1/16 W, DA, TP, 1005	
259	2007-000148	R205	10 kohm, 5 %, 1/16 W, DA, TP, 1005	
260	2007-000148	R206	10 kohm, 5 %, 1/16 W, DA, TP, 1005	
261	2007-000137	R207	2 kohm, 5 %, 1/16 W, DA, TP, 1005	

Electrical Parts List

Level	SEC CODE	REFERENCE	DESCRIPTIONS	Remark
262	2007-000148	R209	10 kohm, 5 %, 1/16 W, DA, TP, 1005	
263	2007-000148	R211	10 kohm, 5 %, 1/16 W, DA, TP, 1005	
264	2007-000148	R212	10 kohm, 5 %, 1/16 W, DA, TP, 1005	
265	2007-000148	R213	10 kohm, 5 %, 1/16 W, DA, TP, 1005	
266	2007-000148	R214	10 kohm, 5 %, 1/16 W, DA, TP, 1005	
267	2007-000148	R215	10 kohm, 5 %, 1/16 W, DA, TP, 1005	
268	2007-000138	R216	100 ohm, 5 %, 1/16 W, DA, TP, 1005	
269	2007-007771	R217	0 ohm, 5 %, 1/16 W, DA, TP, 1005	
270	2007-000170	R218	1 Mohm, 5 %, 1/16 W, DA, TP, 1005	
271	2007-001313	R219	330 ohm, 5 %, 1/16 W, DA, TP, 1005	
272	2007-001313	R220	330 ohm, 5 %, 1/16 W, DA, TP, 1005	
273	2007-007193	R223	5.1 ohm, 5 %, 1/16 W, DA, TP, 1005	
274	2007-000932	R228	470 ohm, 5 %, 1/16 W, DA, TP, 1005	
275	2007-007771	R280	0 ohm, 5 %, 1/16 W, DA, TP, 1005	
276	2007-000932	R281	470 ohm, 5 %, 1/16 W, DA, TP, 1005	
277	2007-001288	R300	18 ohm, 5 %, 1/16 W, DA, TP, 1005	
278	2007-001288	R301	18 ohm, 5 %, 1/16 W, DA, TP, 1005	
279	2007-001323	R302	3 kohm, 5 %, 1/16 W, DA, TP, 1005	
280	2007-000172	R303	10 ohm, 5 %, 1/16 W, DA, TP, 1005	
281	2007-000172	R304	10 ohm, 5 %, 1/16 W, DA, TP, 1005	
282	2007-001288	R305	18 ohm, 5 %, 1/16 W, DA, TP, 1005	
283	2007-001323	R306	3 kohm, 5 %, 1/16 W, DA, TP, 1005	
284	2007-008213	R307	4.3 kohm, 1 %, 1/16 W, DA, TP, 1005	
285	2007-007001	R308	3.9 kohm, 5 %, 1/16 W, DA, TP, 1005	
286	2007-002965	R309	15 ohm, 5 %, 1/16 W, DA, TP, 1005	
287	2007-001298	R310	51 ohm, 5 %, 1/16 W, DA, TP, 1005	
288	3301-001342	R311	AB, 1.5 kohm, 1 x 0.5 x 0.5 mm, 100 mA, TP, M, 1.4ohm	
289	2007-000146	R312	6.8 kohm, 5 %, 1/16 W, DA, TP, 1005	
290	2007-000138	R313	100 ohm, 5 %, 1/16 W, DA, TP, 1005	
291	2007-007136	R314	4.7 kohm, 1 %, 1/16 W, DA, TP, 1005	
292	3301-001342	R315	AB, 1.5 kohm, 1 x 0.5 x 0.5 mm, 100 mA, TP, M, 1.4ohm	
293	2007-001298	R316	51 ohm, 5 %, 1/16 W, DA, TP, 1005	

Level	SEC CODE	REFERENCE	DESCRIPTIONS	Remark
294	2007-002965	R317	15 ohm, 5 %, 1/16 W, DA, TP, 1005	
295	3301-001342	R318	AB, 1.5 kohm, 1 x 0.5 x 0.5 mm, 100 mA, TP, M, 1.4ohm	
296	2007-007771	R403	0 ohm, 5 %, 1/16 W, DA, TP, 1005	
297	2007-000162	R404	100 kohm, 5 %, 1/16 W, DA, TP, 1005	
298	2007-000143	R407	4.7 kohm, 5 %, 1/16 W, DA, TP, 1005	
299	2007-000143	R409	4.7 kohm, 5 %, 1/16 W, DA, TP, 1005	
300	2007-000138	R410	100 ohm, 5 %, 1/16 W, DA, TP, 1005	
301	2007-007156	R411	1 ohm, 5 %, 1/16 W, DA, TP, 1005	
302	2007-000138	R412	100 ohm, 5 %, 1/16 W, DA, TP, 1005	
303	2007-000141	R413	2.2 kohm, 5 %, 1/16 W, DA, TP, 1005	
304	2007-000157	R414	47 kohm, 5 %, 1/16 W, DA, TP, 1005	
305	2007-000140	R500	1 kohm, 5 %, 1/16 W, DA, TP, 1005	
306	2007-000070	R501	0 ohm, 5 %, 1/16 W, DA, TP, 1608	
307	2007-000140	R502	1 kohm, 5 %, 1/16 W, DA, TP, 1005	
308	2007-000148	R503	10 kohm, 5 %, 1/16 W, DA, TP, 1005	
309	2007-000148	R505	10 kohm, 5 %, 1/16 W, DA, TP, 1005	
310	2007-001298	R506	51 ohm, 5 %, 1/16 W, DA, TP, 1005	
311	2007-007193	R507	5.1 ohm, 5 %, 1/16 W, DA, TP, 1005	
312	2007-001298	R508	51 ohm, 5 %, 1/16 W, DA, TP, 1005	
313	2007-007193	R509	5.1 ohm, 5 %, 1/16 W, DA, TP, 1005	
314	2007-000148	R510	10 kohm, 5 %, 1/16 W, DA, TP, 1005	
315	2007-000137	R511	2 kohm, 5 %, 1/16 W, DA, TP, 1005	
316	2007-007142	R512	10 kohm, 1 %, 1/16 W, DA, TP, 1005	
317	2007-007312	R513	20 kohm, 1 %, 1/16 W, DA, TP, 1005	
318	2007-001308	R514	200 ohm, 5 %, 1/16 W, DA, TP, 1005	
319	2007-007142	R515	10 kohm, 1 %, 1/16 W, DA, TP, 1005	
320	2007-007142	R516	10 kohm, 1 %, 1/16 W, DA, TP, 1005	
321	2007-007142	R517	10 kohm, 1 %, 1/16 W, DA, TP, 1005	
322	2007-001305	R518	120 ohm, 5 %, 1/16 W, DA, TP, 1005	
323	2007-007142	R519	10 kohm, 1 %, 1/16 W, DA, TP, 1005	
324	2007-007142	R520	10 kohm, 1 %, 1/16 W, DA, TP, 1005	
325	2007-007142	R521	10 kohm, 1 %, 1/16 W, DA, TP, 1005	

Electrical Parts List

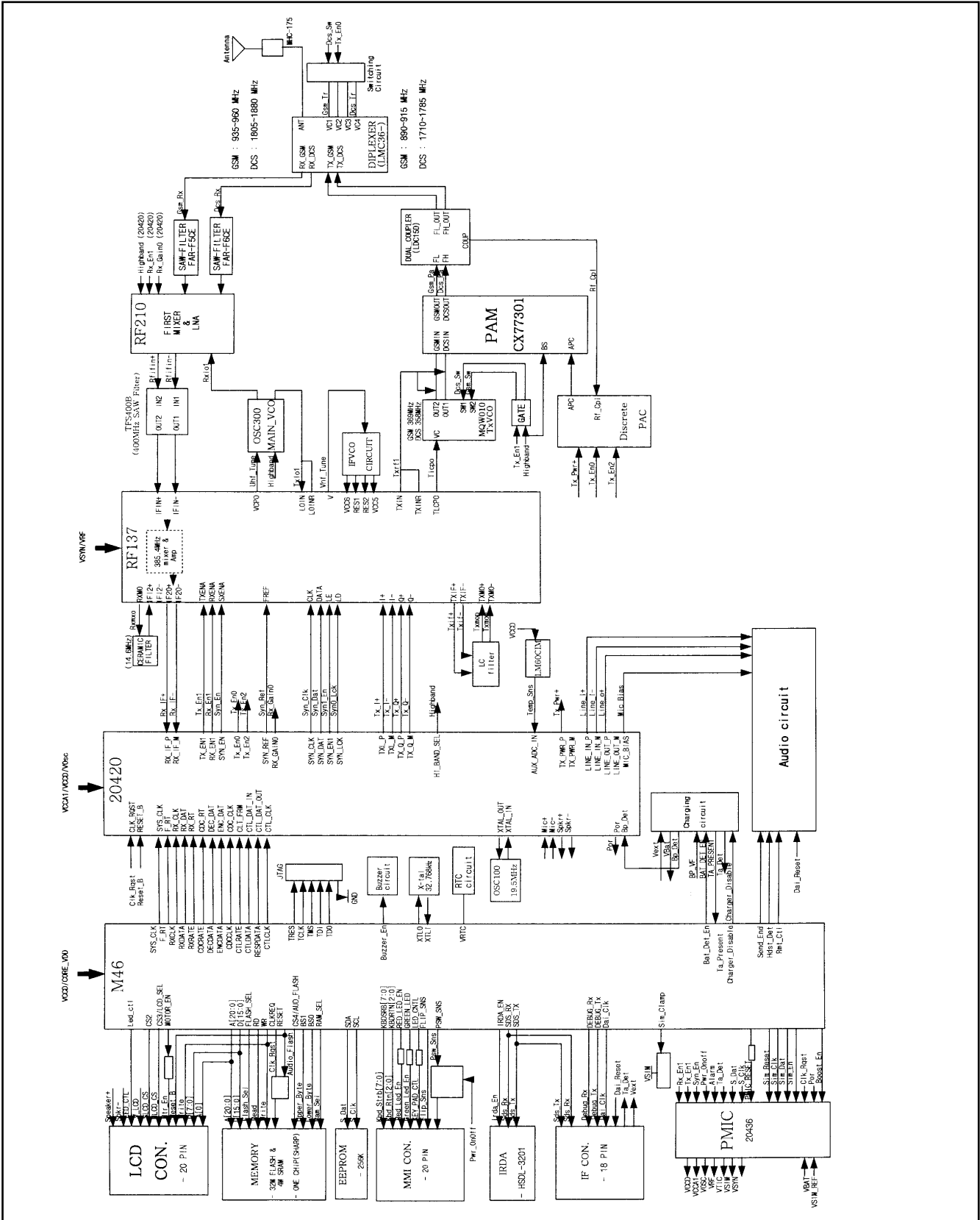
Level	SEC CODE	REFERENCE	DESCRIPTIONS	Remark
326	2007-000137	R522	2 kohm, 5 %, 1/16 W, DA, TP, 1005	
327	2007-001306	R523	150 ohm, 5 %, 1/16 W, DA, TP, 1005	
328	2007-001308	R524	200 ohm, 5 %, 1/16 W, DA, TP, 1005	
329	2007-000170	R525	1M ohm, 5 %, 1/16 W, DA, TP, 1005	
330	2007-007771	R526	0 ohm, 5 %, 1/16 W, DA, TP, 1005	
331	2007-007095	R527	390 ohm, 5 %, 1/16 W, DA, TP, 1005	
332	2007-000139	R528	220 ohm, 5 %, 1/16 W, DA, TP, 1005	
333	2007-000140	R529	1 kohm, 5 %, 1/16 W, DA, TP, 1005	
334	2007-000148	R530	10 kohm, 5 %, 1/16 W, DA, TP, 1005	
335	2007-000145	R531	6.2 kohm, 5 %, 1/16 W, DA, TP, 1005	
336	2007-008263	R532	3 kohm, 1 %, 2 W, -, TP, 1005	
337	2007-000140	R601	1 kohm, 5 %, 1/16 W, DA, TP, 1005	
338	2007-001301	R604	68 ohm, 5 %, 1/16 W, DA, TP, 1005	
339	2007-000142	R605	2.7 kohm, 5 %, 1/16 W, DA, TP, 1005	
340	2007-000165	R607	200 kohm, 5 %, 1/16 W, DA, TP, 1005	
341	2007-000162	R609	100 kohm, 5 %, 1/16 W, DA, TP, 1005	
342	2007-000148	R610	10 kohm, 5 %, 1/16 W, DA, TP, 1005	
343	2007-000142	R611	2.7 kohm, 5 %, 1/16 W, DA, TP, 1005	
344	2007-000162	R612	100 kohm, 5 %, 1/16 W, DA, TP, 1005	
345	2007-000140	R613	1 kohm, 5 %, 1/16 W, DA, TP, 1005	
346	2007-000140	R616	1 kohm, 5 %, 1/16 W, DA, TP, 1005	
347	2007-000154	R619	24 kohm, 5 %, 1/16 W, DA, TP, 1005	
348	2007-001119	R620	680 ohm, 5 %, 1/16 W, DA, TP, 1005	
349	2007-000165	R621	200 kohm, 5 %, 1/16 W, DA, TP, 1005	
350	2007-007771	R634	0 ohm, 5 %, 1/16 W, DA, TP, 1005	
351	2007-001306	R635	150 ohm, 5 %, 1/16 W, DA, TP, 1005	
352	2007-007316	R637	3.3 kohm, 1 %, 1/16 W, DA, TP, 1005	
353	2007-000140	R638	1 kohm, 5 %, 1/16 W, DA, TP, 1005	
354	2007-000140	R639	1 kohm, 5 %, 1/16 W, DA, TP, 1005	
355	2007-000140	R640	1 kohm, 5 %, 1/16 W, DA, TP, 1005	
356	2007-000162	R641	100 kohm, 5 %, 1/16 W, DA, TP, 1005	
357	2007-000140	R642	1 kohm, 5 %, 1/16 W, DA, TP, 1005	

Level	SEC CODE	REFERENCE	DESCRIPTIONS	Remark
358	2007-007592	R643	270 kohm, 1 %, 1/16 W, DA, TP, 1005	
359	2007-007875	R644	160 kohm, 1 %, 1/16 W, DA, TP, 1005	
360	2007-000153	R646	22 kohm, 5 %, 1/16 W, DA, TP, 1005	
361	2007-000148	R648	10 kohm, 5 %, 1/16 W, DA, TP, 1005	
362	2007-000070	R649	0 ohm, 5 %, 1/16 W, DA, TP, 1608	
363	2007-007771	R650	0 ohm, 5 %, 1/16 W, DA, TP, 1005	
364	2007-007771	R651	0 ohm, 5 %, 1/16 W, DA, TP, 1005	
365	1205-001708	U100	20420, BGA, 100P, -, PLASTIC	
366	0902-001231	U201	46, 16BIT, BGA, 180P, -, 32.768 MHZ	
367	1203-001592	U202	1015, SOT-23A-5, 5P, 59MIL, PLASTI	
368	1205-001647	U300	RF137, TQFP, 48P, 275MIL	
369	1203-001703	U400	20436, TQFP, 48P, 275MIL, PLASTIC, 2.8V	
370	1203-002099	U401	5245, SOT-23-5, 5P, 64MIL	
371	0504-001042	U500	BCR10PN, NPN/PNP, 250 mW, 10K/10K,	
372	0504-001042	U501	BCR10PN, NPN/PNP, 250 mW, 10K/10K,	
373	0504-001042	U502	BCR10PN, NPN/PNP, 250 mW, 10K/10K,	
374	0504-001012	U503	DTC114YE, NPN, 150 mW, 10K/47K, EMT3, TP	
375	2909-001084	U505	942.5 MHZ, 897.5 MHZ, 1/1.2DB, TP, -, -	
376	2007-000137	U506	2 kohm, 5 %, 1/16 W, DA, TP, 1005	
377	1201-001697	U507	RF210-51, TSSOP, 20P, 173MIL	
378	1201-001753	U508	MSOP, TP, 8P, 118MIL, DUAL	
379	0504-001042	U509	BCR10PN, NPN/PNP, 250 mW, 10K/10K,	
380	1201-001754	U510	MCM, 16P, -, -, -, PLASTIC, 7V	
381	1209-001219	U511	LM60C, SOT-23, 3P, 115MIL, PLASTIC	
382	0801-002640	U512	7WZ00, 2-INPUT NAND GATE, US8, 8P	
383	2806-001192	U513	902.5/1747.5 MHz, -, -, TP, 2.7 V, 50 mA	
384	1106-001301	U514	1337, 262K x 16Bit, CSP, 72P	
385	1103-001147	U515	24256, 256KBIT, SOP, 8P, 150MIL	
386	0506-001052	U600	UMH9N, NPN, 2, 150 mW, SC-88, TP, 68-	
387	1201-001462	U602	4864, MSOP, 8P, 118MIL-	
388	0504-001071	U603	UMD9N, NPN/PNP, 150 mW, 4.7, UMT6, TP	
389	1203-002127	U605	1734, SOT-23, 6P, 150MIL	

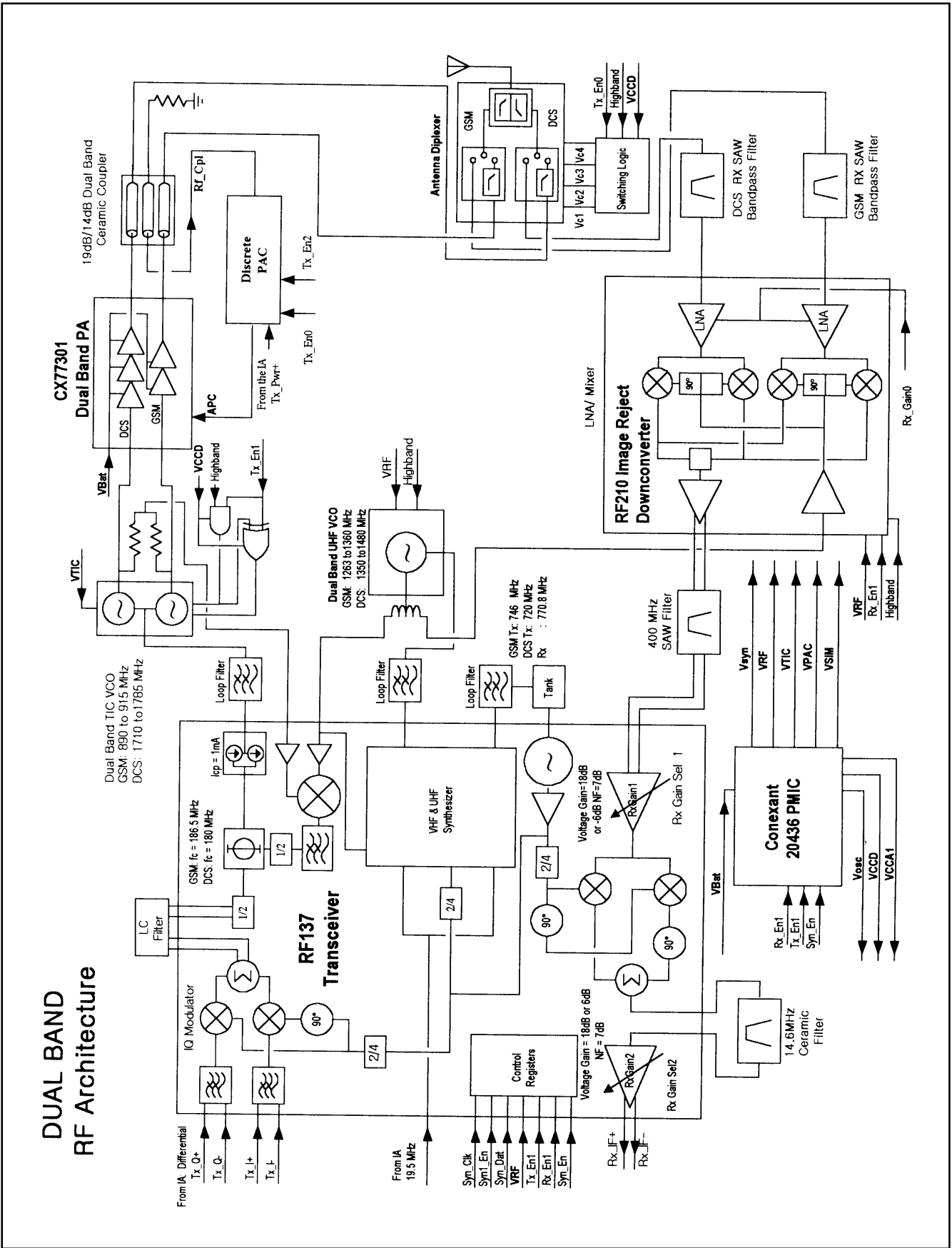
Level	SEC CODE	Design LOC	DESCRIPTIONS	Remark
390	0801-002641	U8016	7WZ08, 2-INPUT AND GATE, US8, 8P	
391	0506-001052	U8021	UMH9N, NPN, 2, 150 mW, SC-88, TP, 68-	
392	0406-001104	U8022	ESDA6V1-5W6, 6.1/-/7.2 V, 100 W, SOT-323-6L	
393	1405-001082	V600	5.6 V, 20A, 1 x 0.5 x 0.6 mm, TP	
394	1405-001082	V601	5.6 V, 20A, 1 x 0.5 x 0.6 mm, TP	
395	1405-001082	V605	5.6 V, 20A, 1 x 0.5 x 0.6 mm, TP	
396	1405-001082	V615	5.6 V, 20A, 1 x 0.5 x 0.6 mm, TP	
397	1405-001082	V616	5.6 V, 20A, 1 x 0.5 x 0.6 mm, TP	
398	1405-001082	V617	5.6 V, 20A, 1 x 0.5 x 0.6 mm, TP	
399	1405-001082	V618	5.6 V, 20A, 1 x 0.5 x 0.6 mm, TP	
400	1405-001082	V619	5.6 V, 20A, 1 x 0.5 x 0.6 mm, TP	
401	1405-001082	V620	5.6 V, 20A, 1 x 0.5 x 0.6 mm, TP	
402	1405-001082	V621	5.6 V, 20A, 1 x 0.5 x 0.6 mm, TP	
403	1405-001082	V622	5.6 V, 20A, 1 x 0.5 x 0.6 mm, TP	
404	0404-001044	ZD400	UPS5817, 20 V, 1A, SMD, TP	
405	0404-000108	ZD401	RB705D, 20 V, 30 mA, SOT-23, TP	
406	0404-000108	ZD402	RB705D, 20 V, 30 mA, SOT-23, TP	
407	0406-001104	ZD602	ESDA6V1-5W6, 6.1/-/7.2 V, 100 W, SOT-323-6L	
408	0406-001104	ZD603	ESDA6V1-5W6, 6.1/-/7.2 V, 100 W, SOT-323-6L	
409	0406-001104	ZD604	ESDA6V1-5W6, 6.1/-/7.2 V, 100 W, SOT-323-6L	
410	0406-001104	ZD605	ESDA6V1-5W6, 6.1/-/7.2 V, 100 W, SOT-323-6L	

3. SGH-A300 Block Diagrams

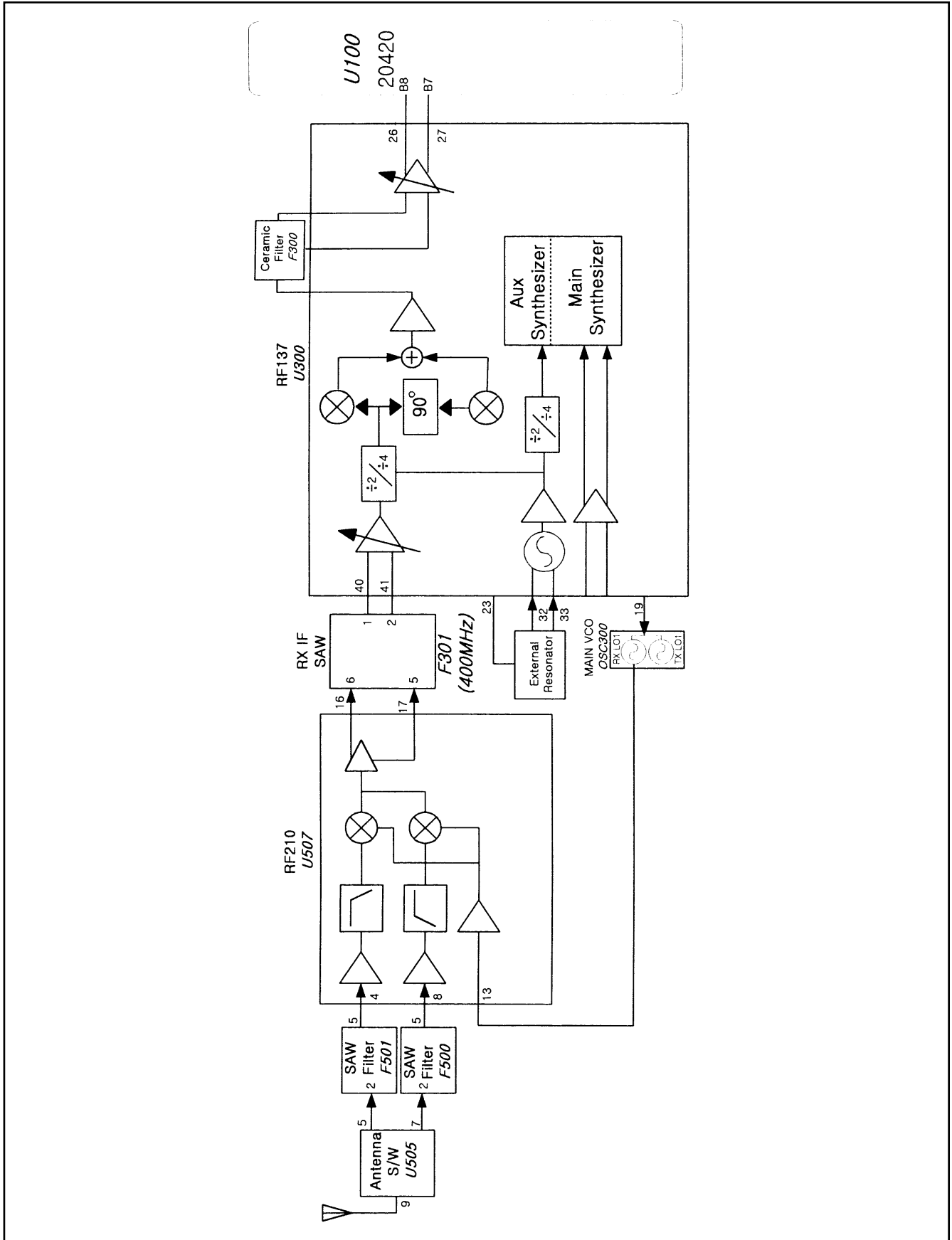
3-1 SGH-A300 Main Block Diagram



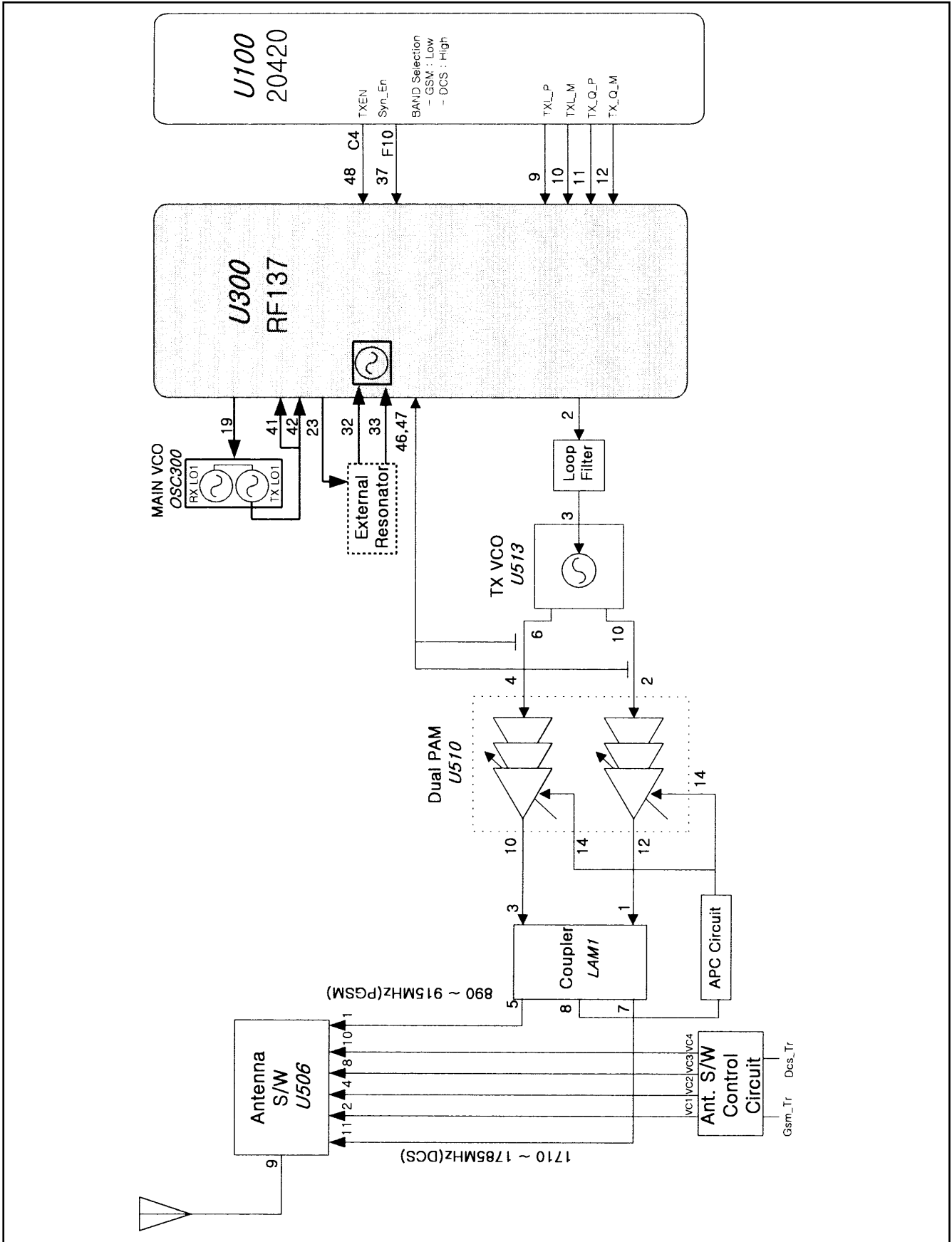
3-2 SGH-A300 Main RF Block Diagram



3-2-1 SGH-A300 RF Receive Part Block Diagram

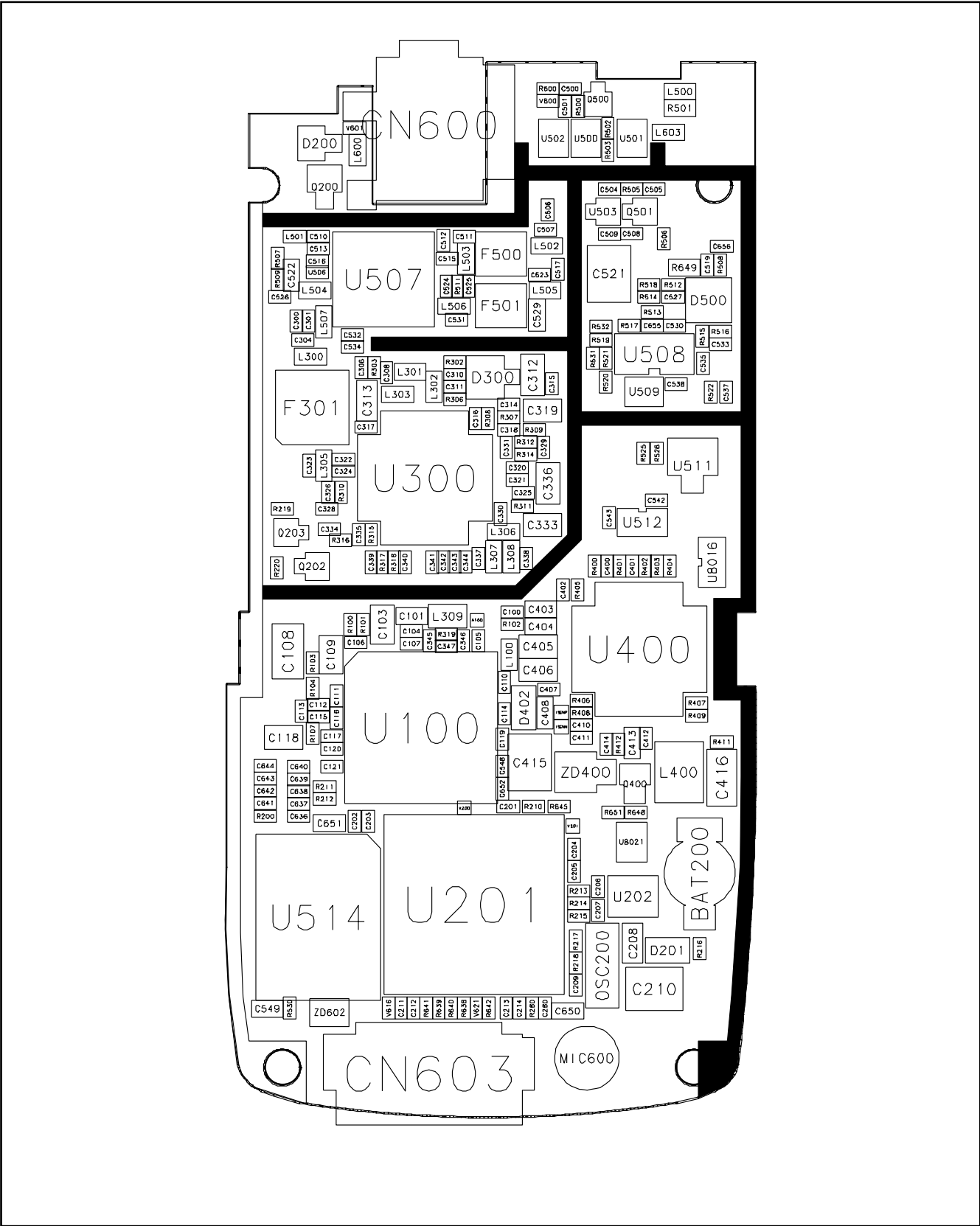


3-2-2 SGH-A300 RF Transmit Part Block Diagram

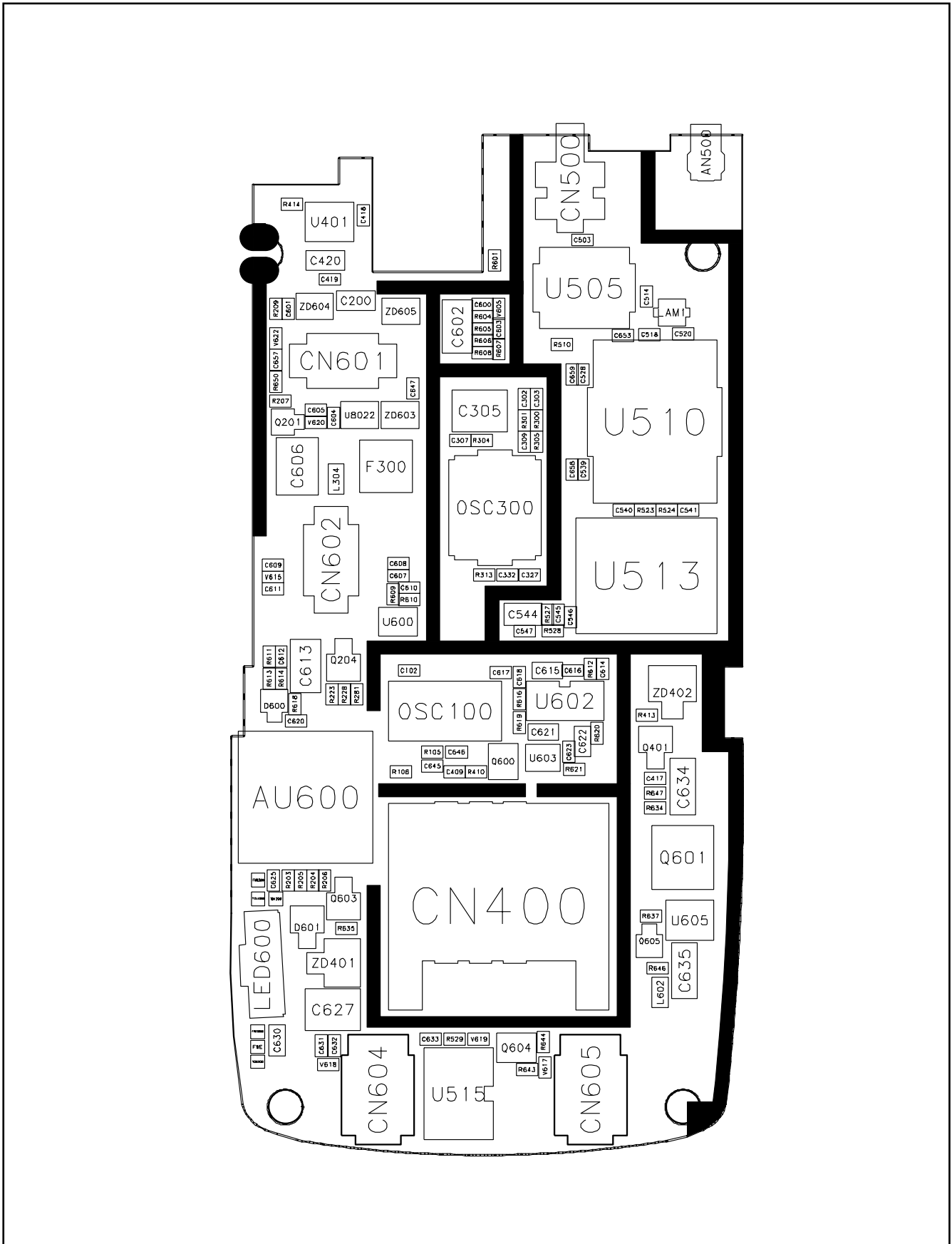


4. SGH-A300 PCB Diagrams

4-1 SGH-A300 Main PCB Top Diagram

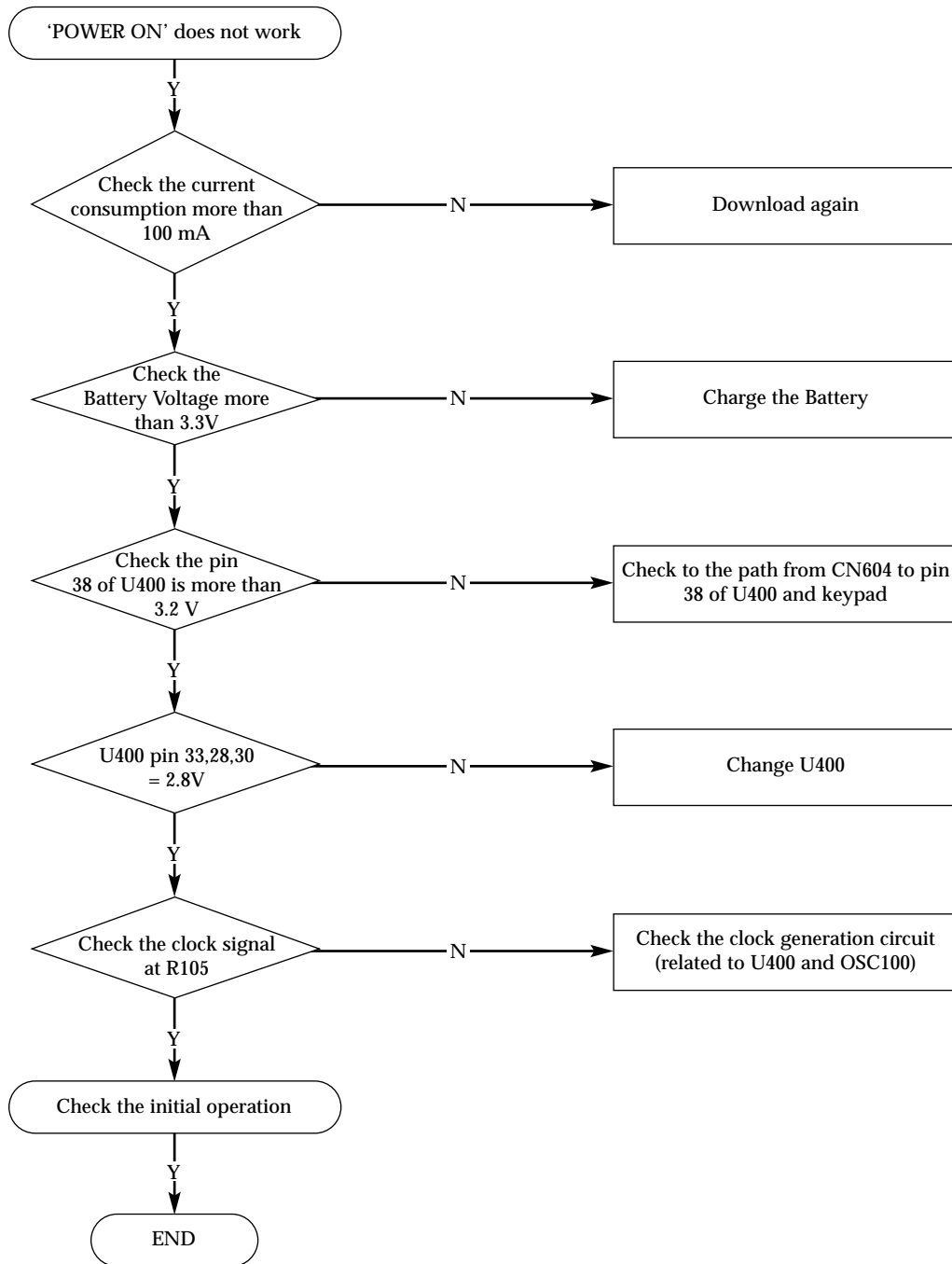


4-2 SGH-A300 Main PCB Bottom Diagram

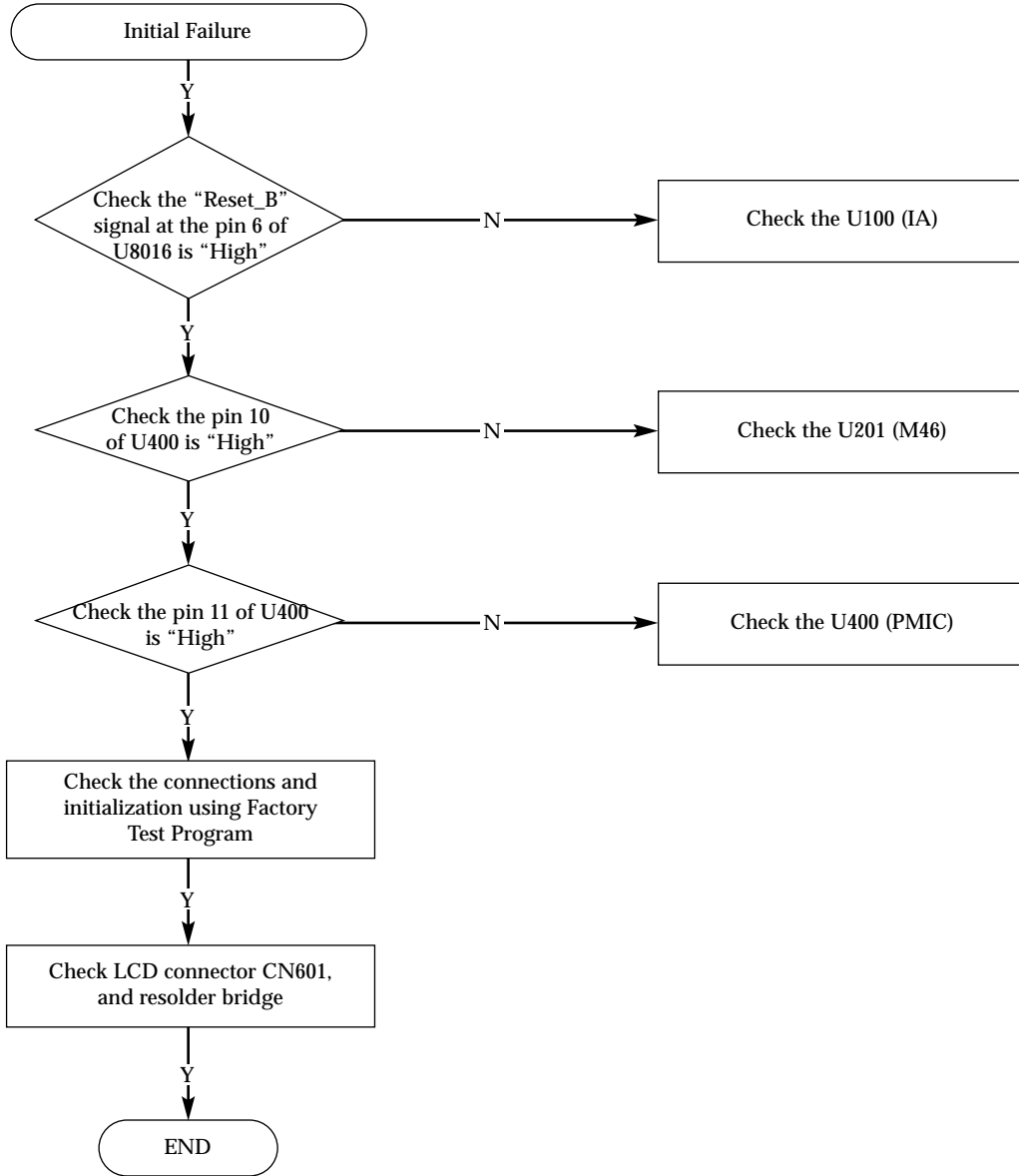


5. Flow Chart of Troubleshooting and Circuit Diagram

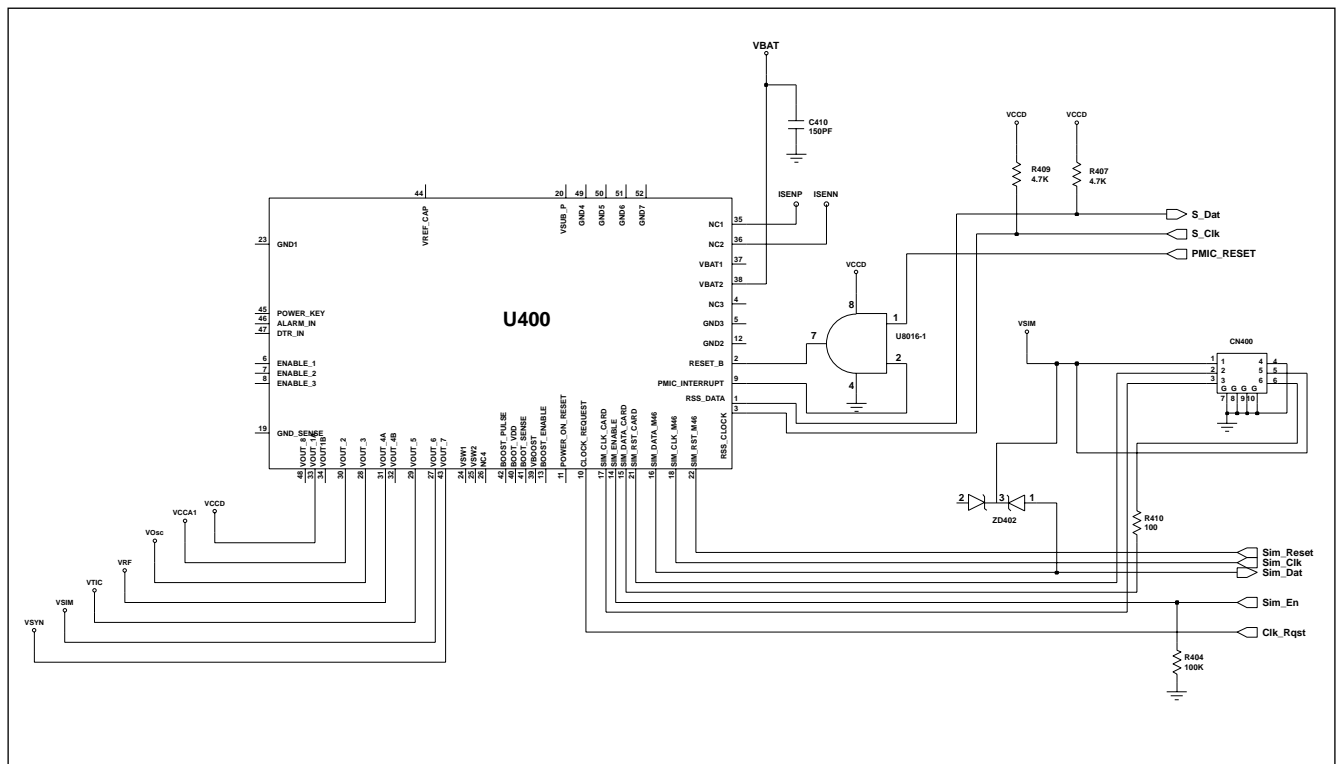
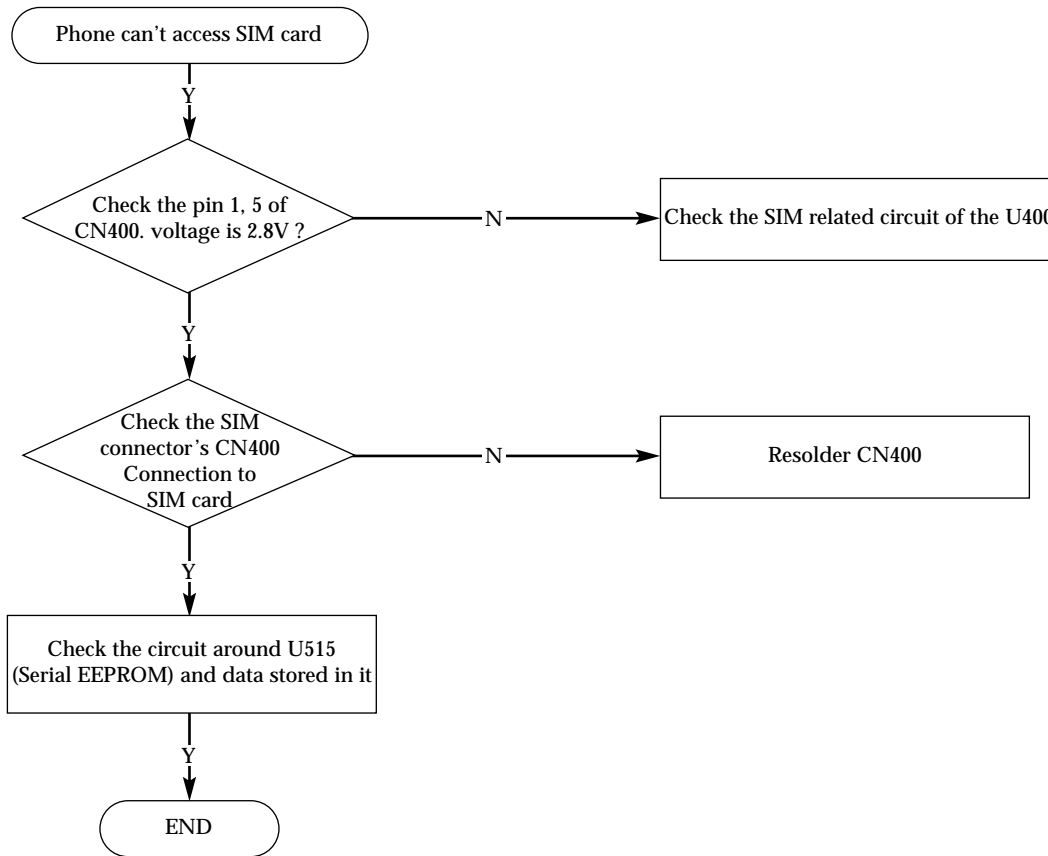
5-1 SGH-A300 Power ON



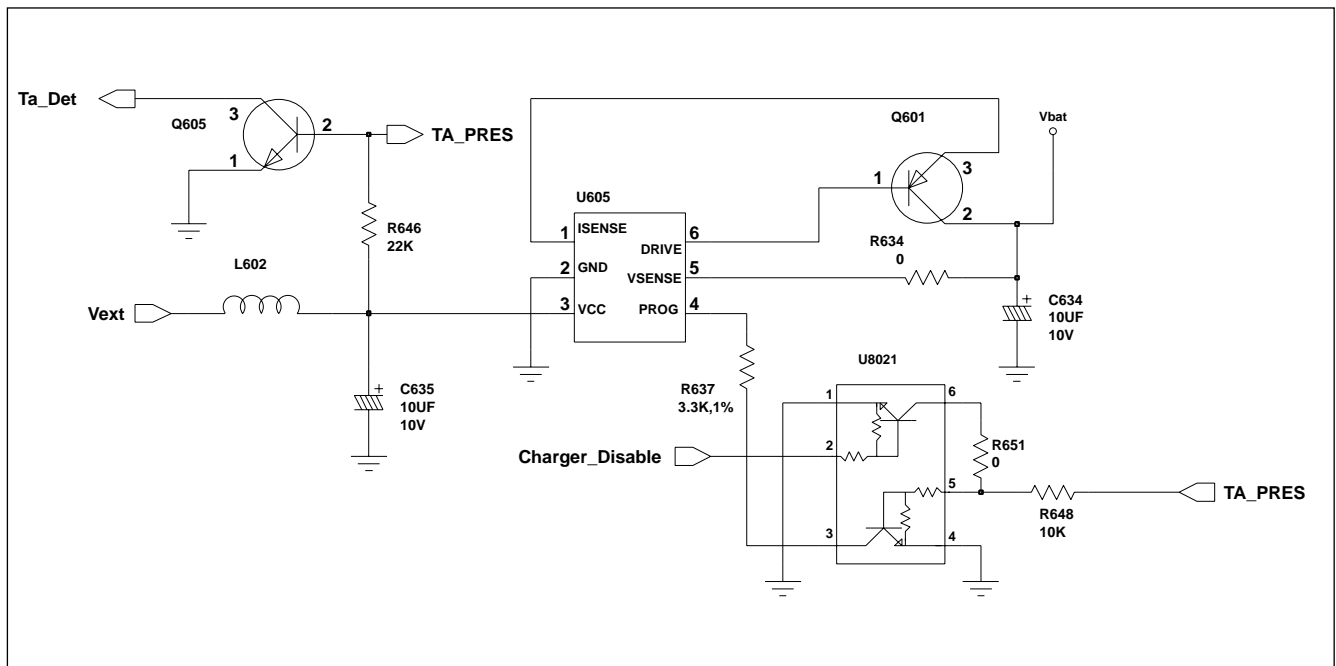
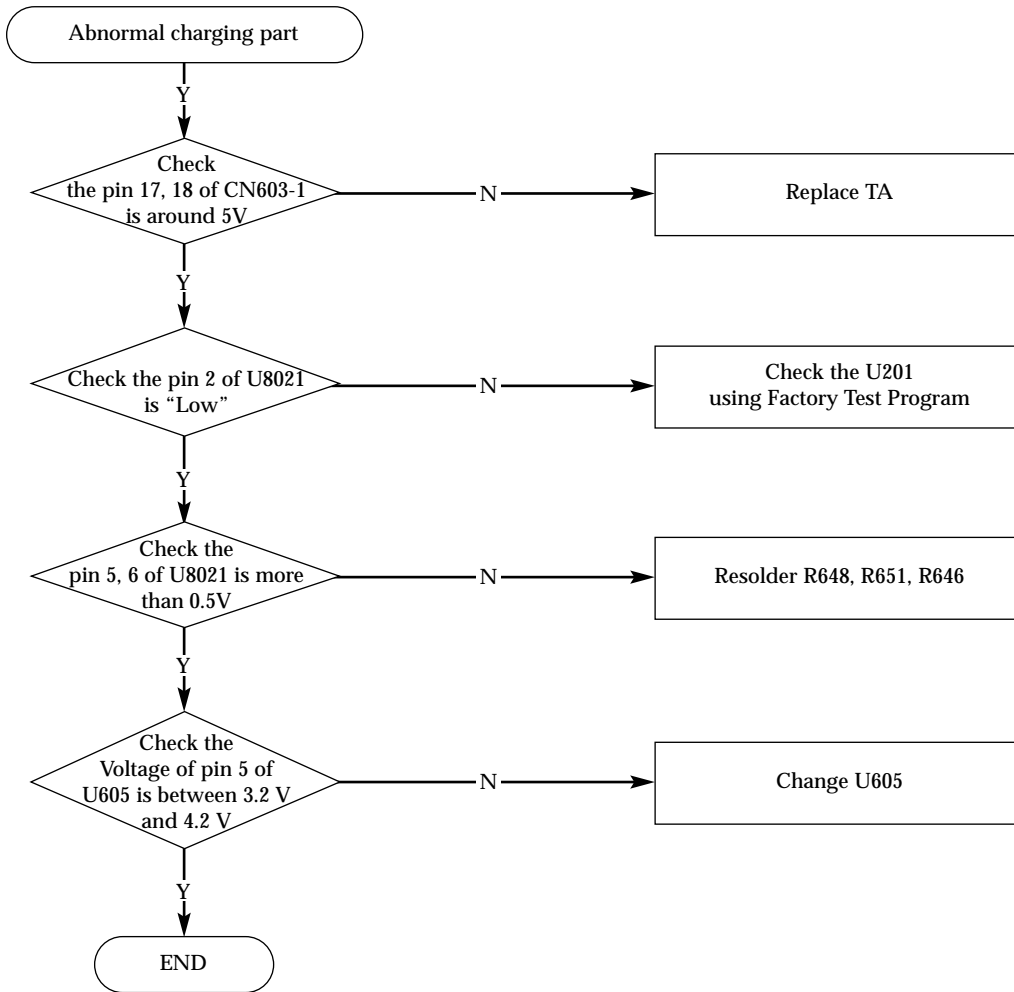
5-2 SGH-A300 Initial



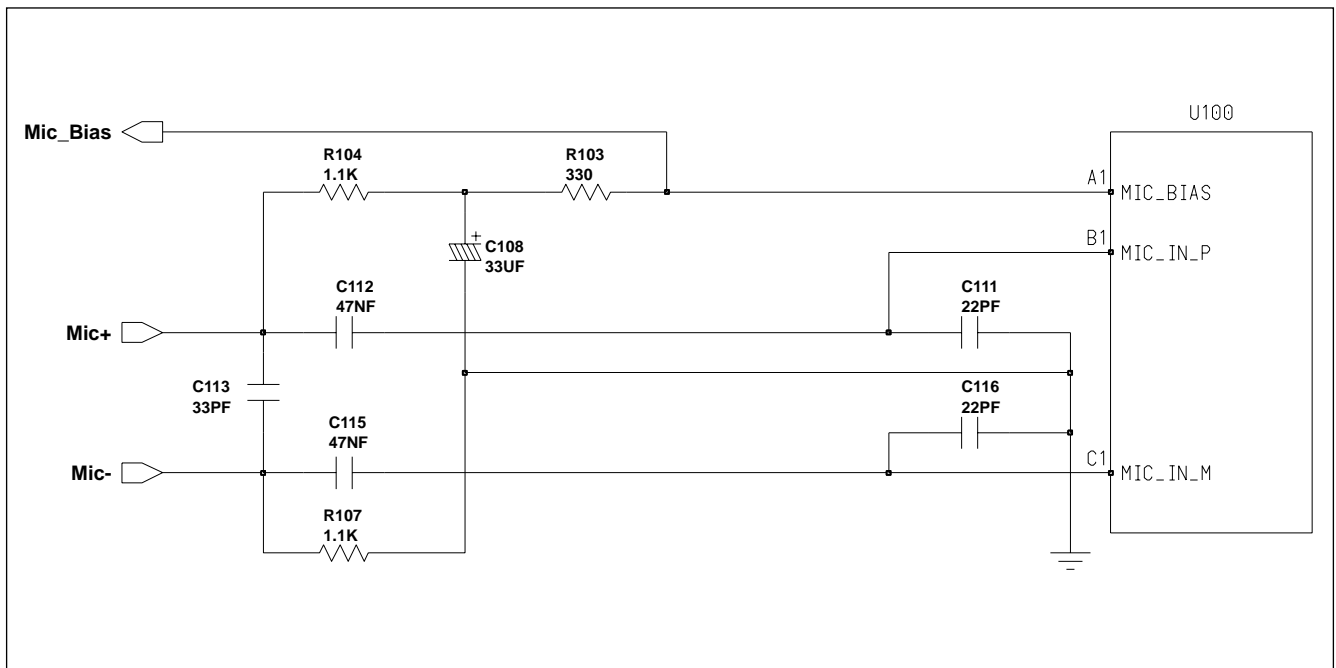
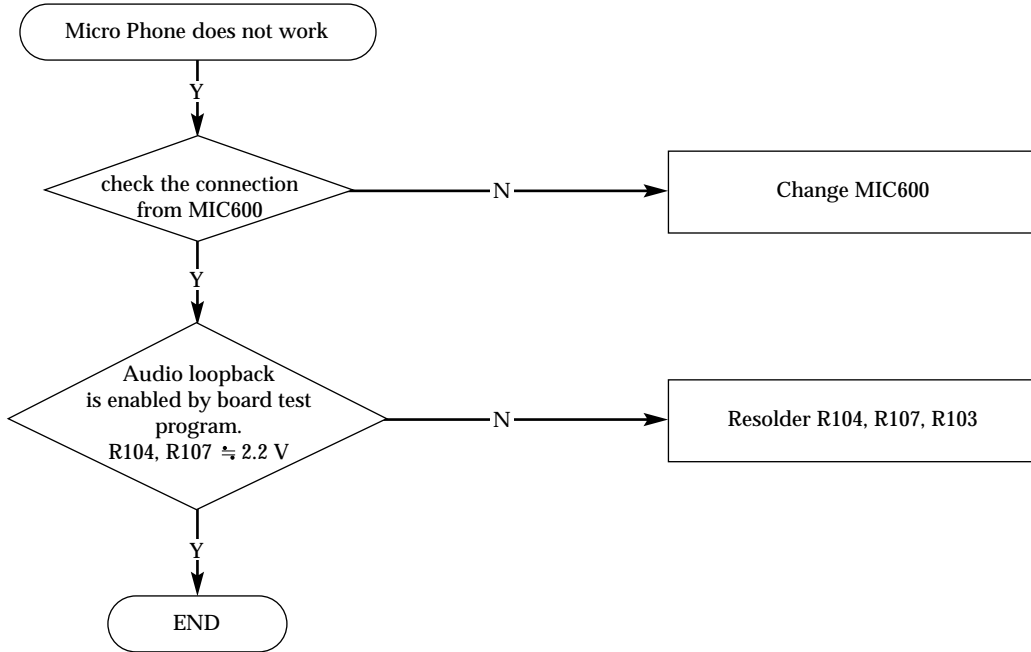
5-3 SGH-A300 Sim Part



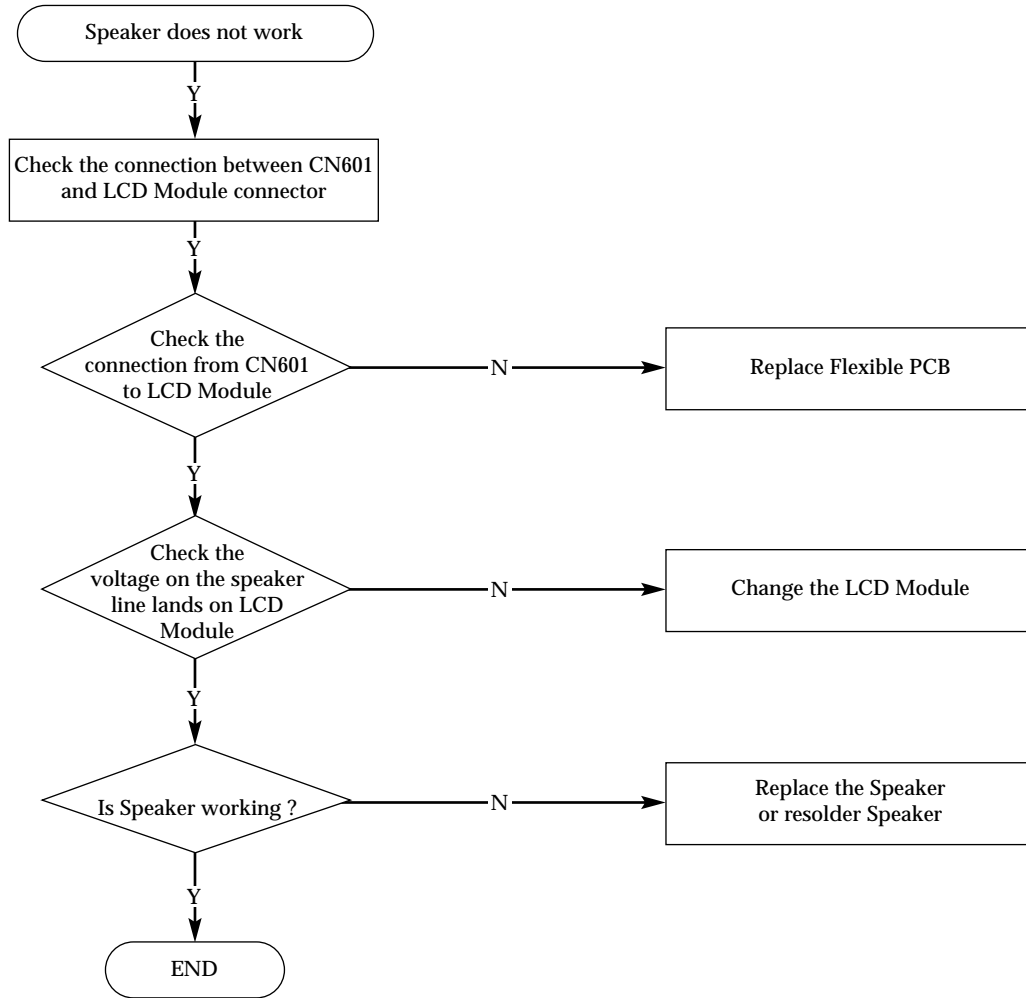
5-4 SGH-A300 Charging Part



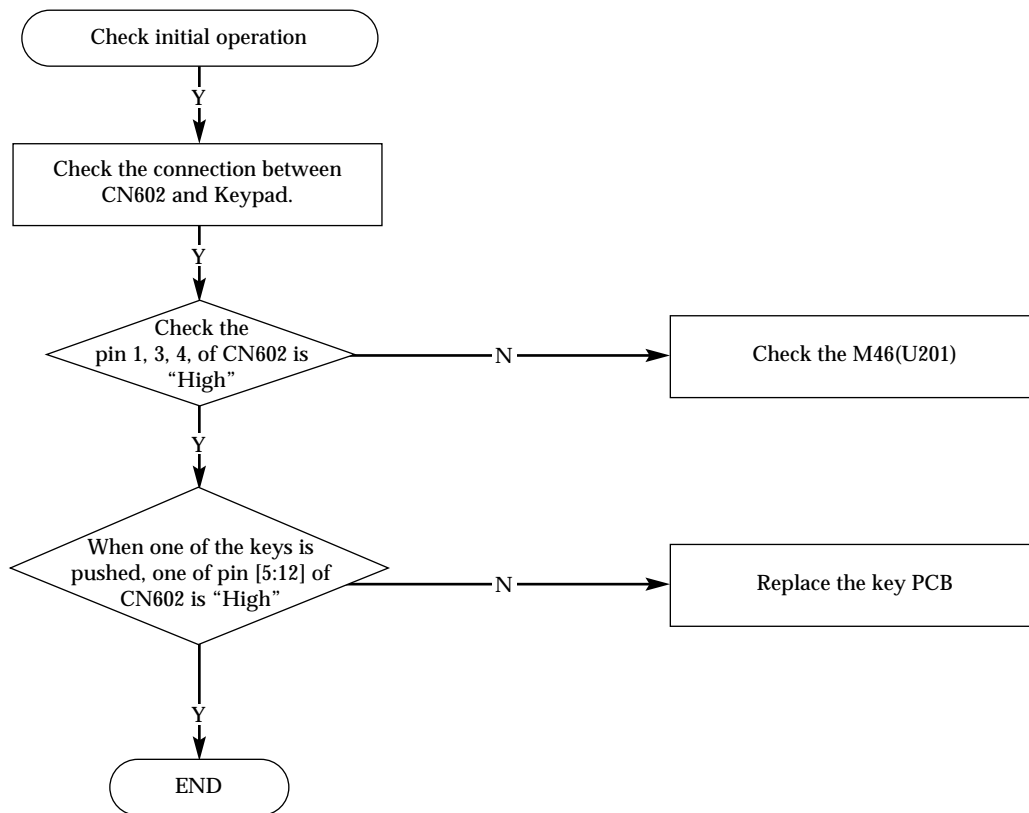
5-5 SGH-A300 Microphone Part



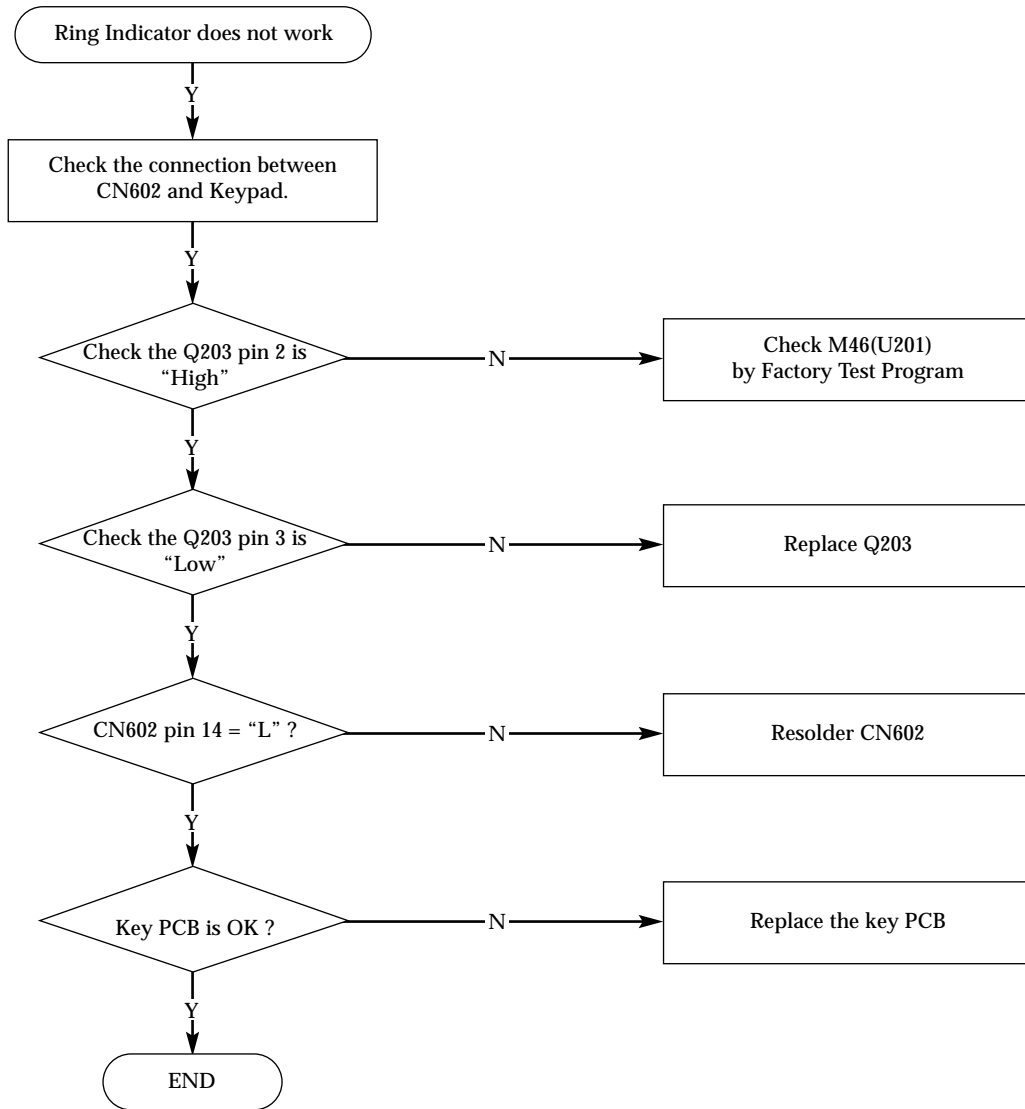
5-6 SGH-A300 Speaker Part



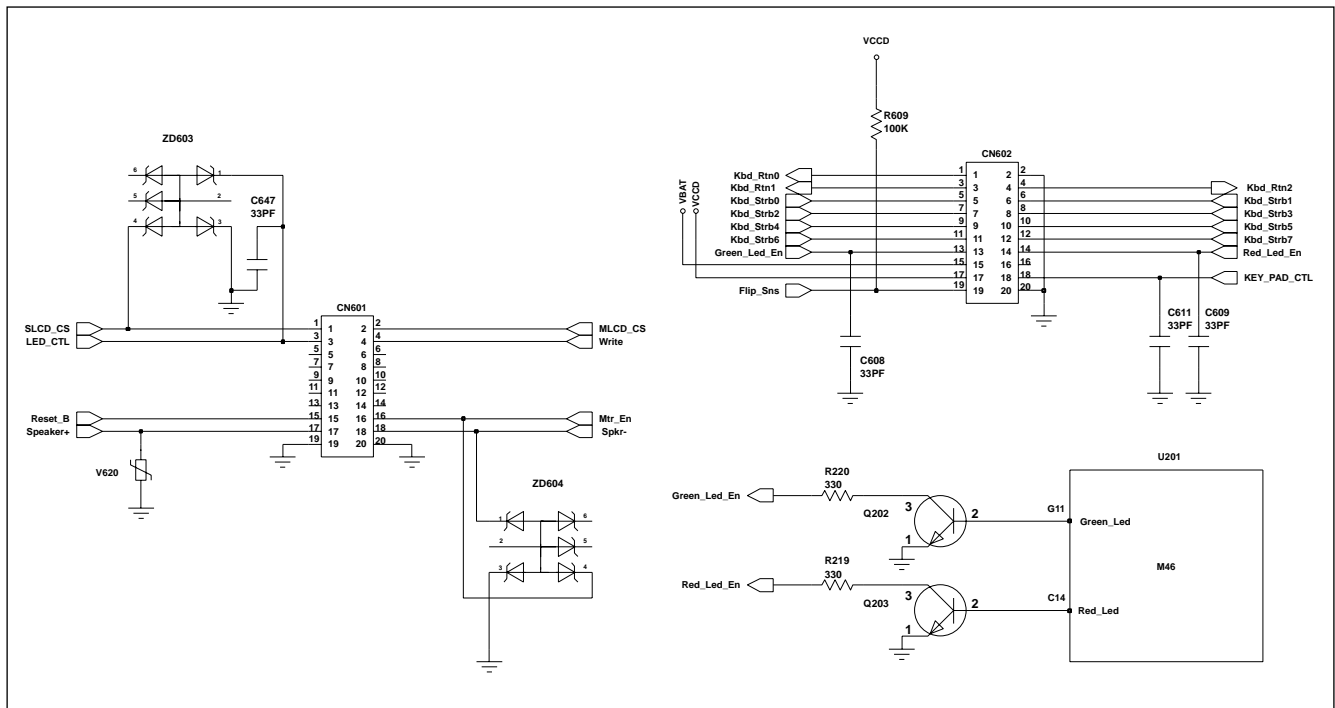
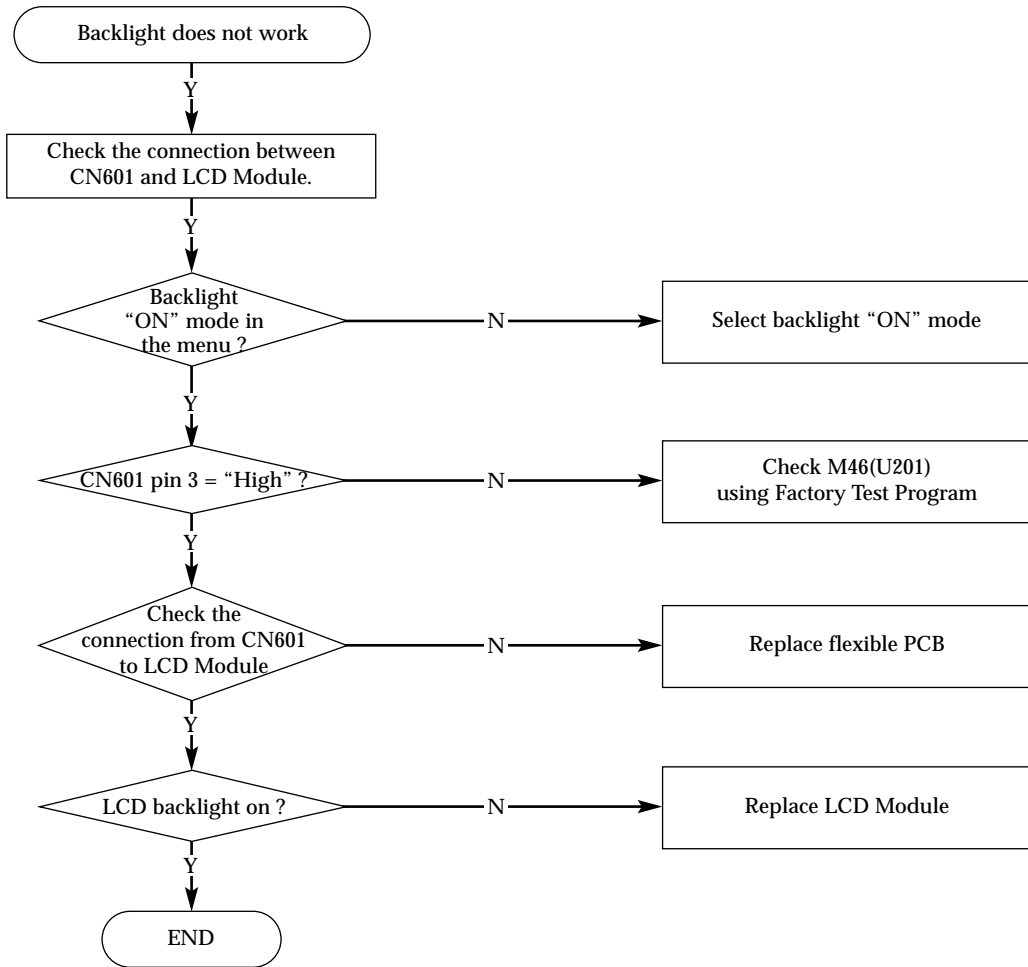
5-7 SGH-A300 Key Data Input



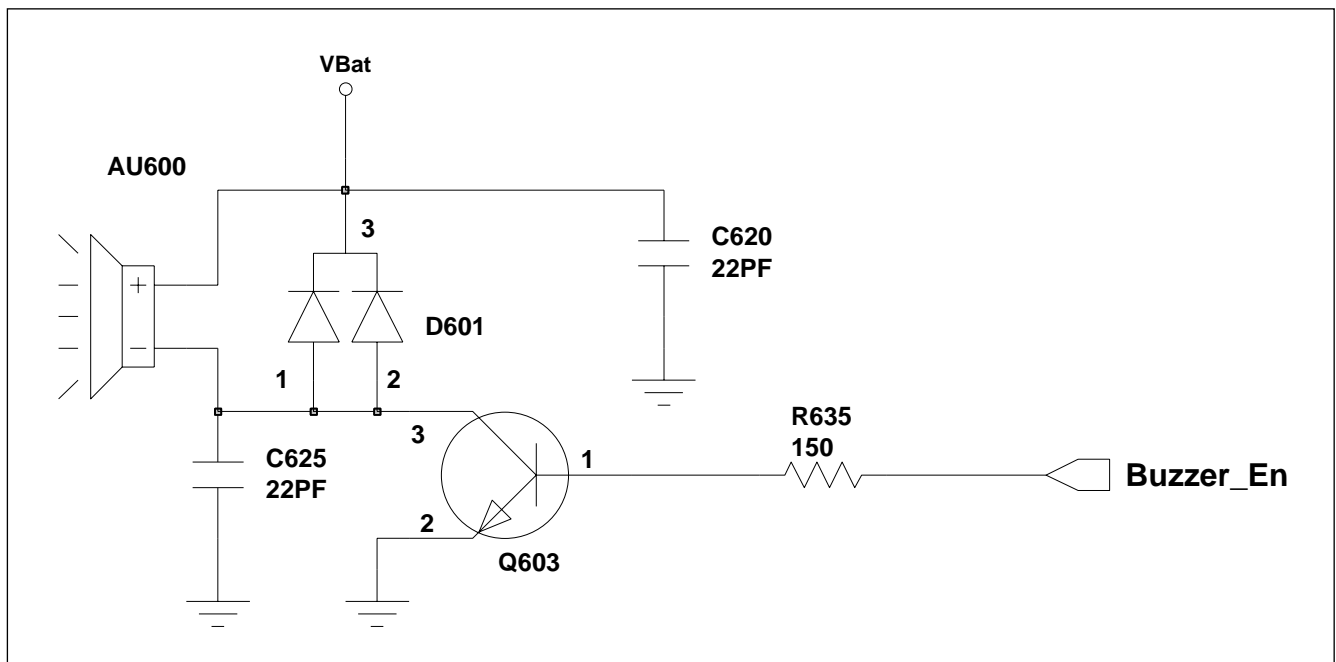
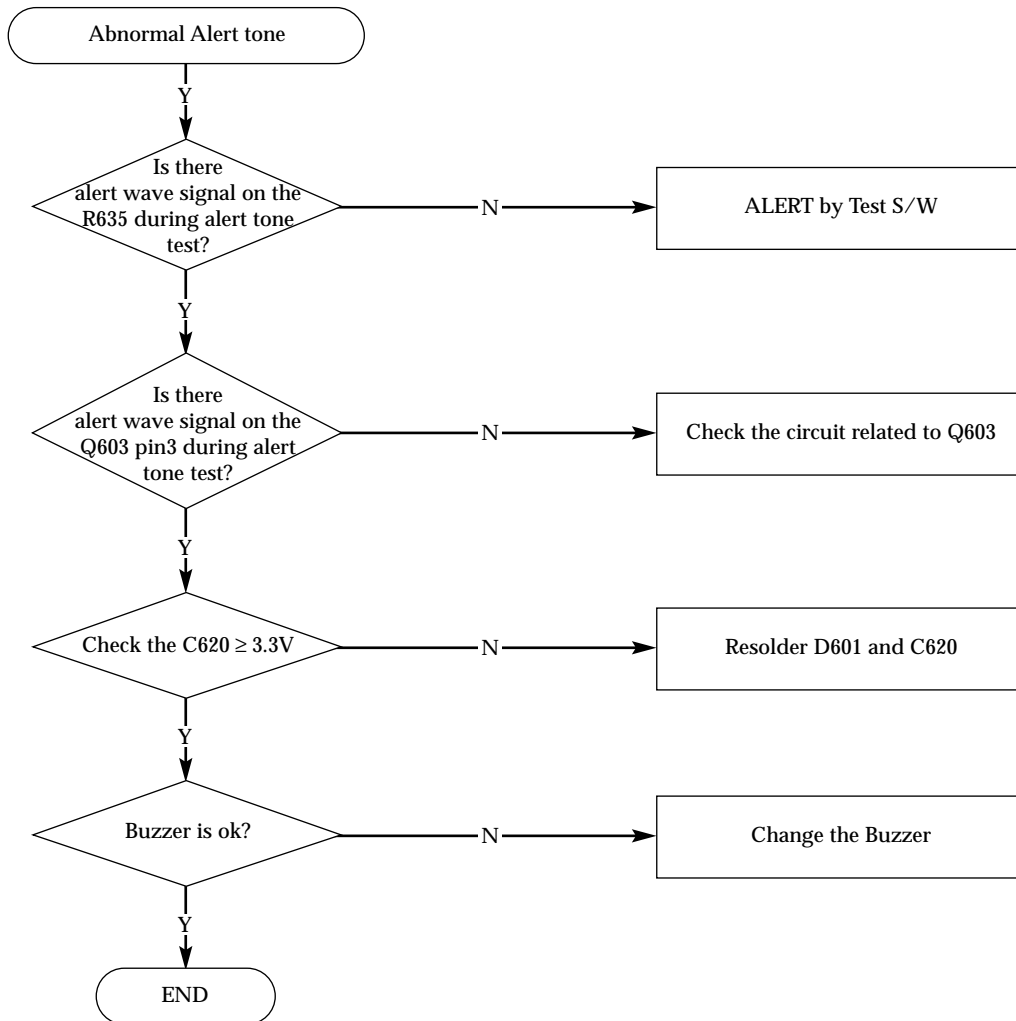
5-8 SGH-A300 Ring Indicator



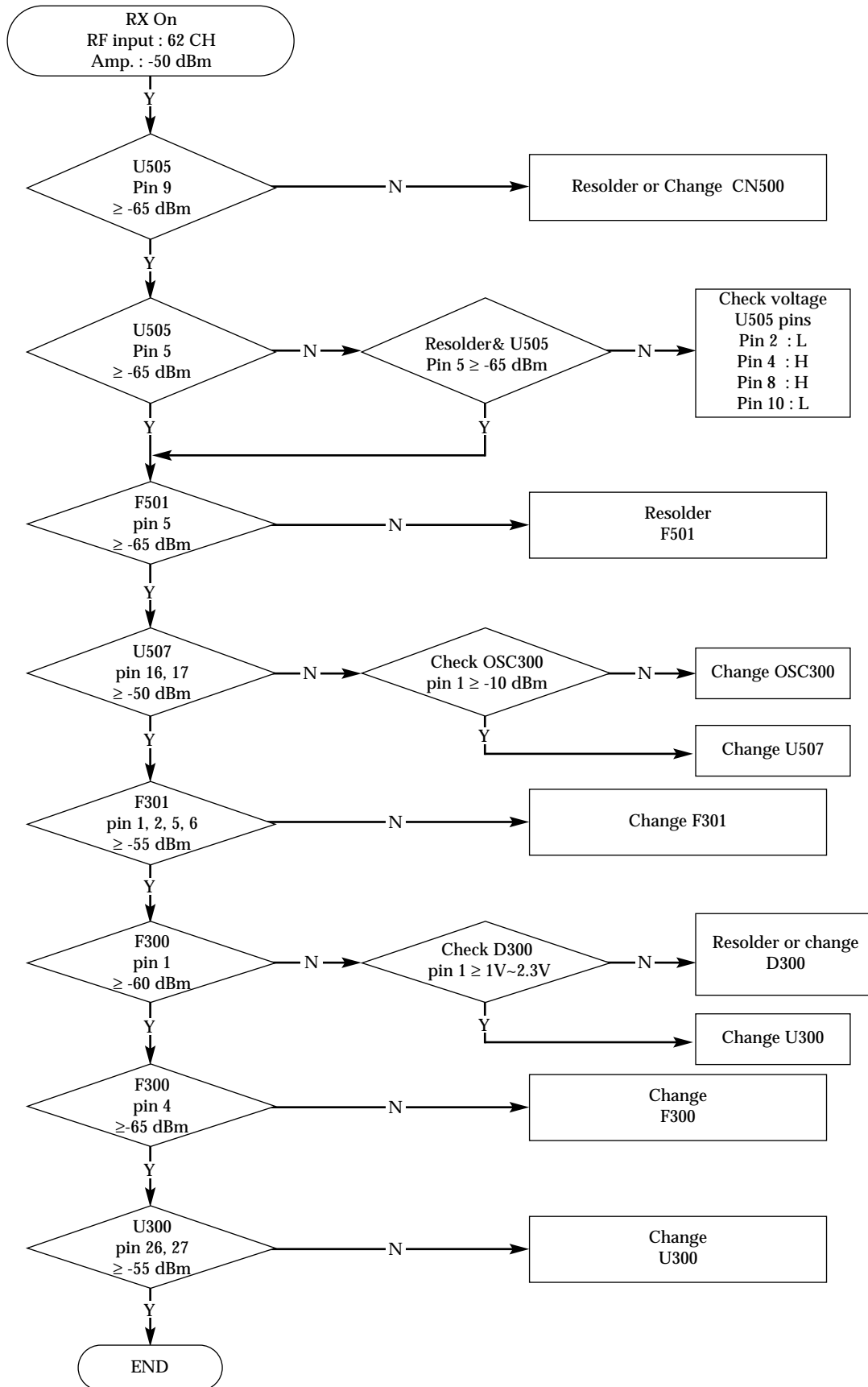
5-9 SGH-A300 Back Light



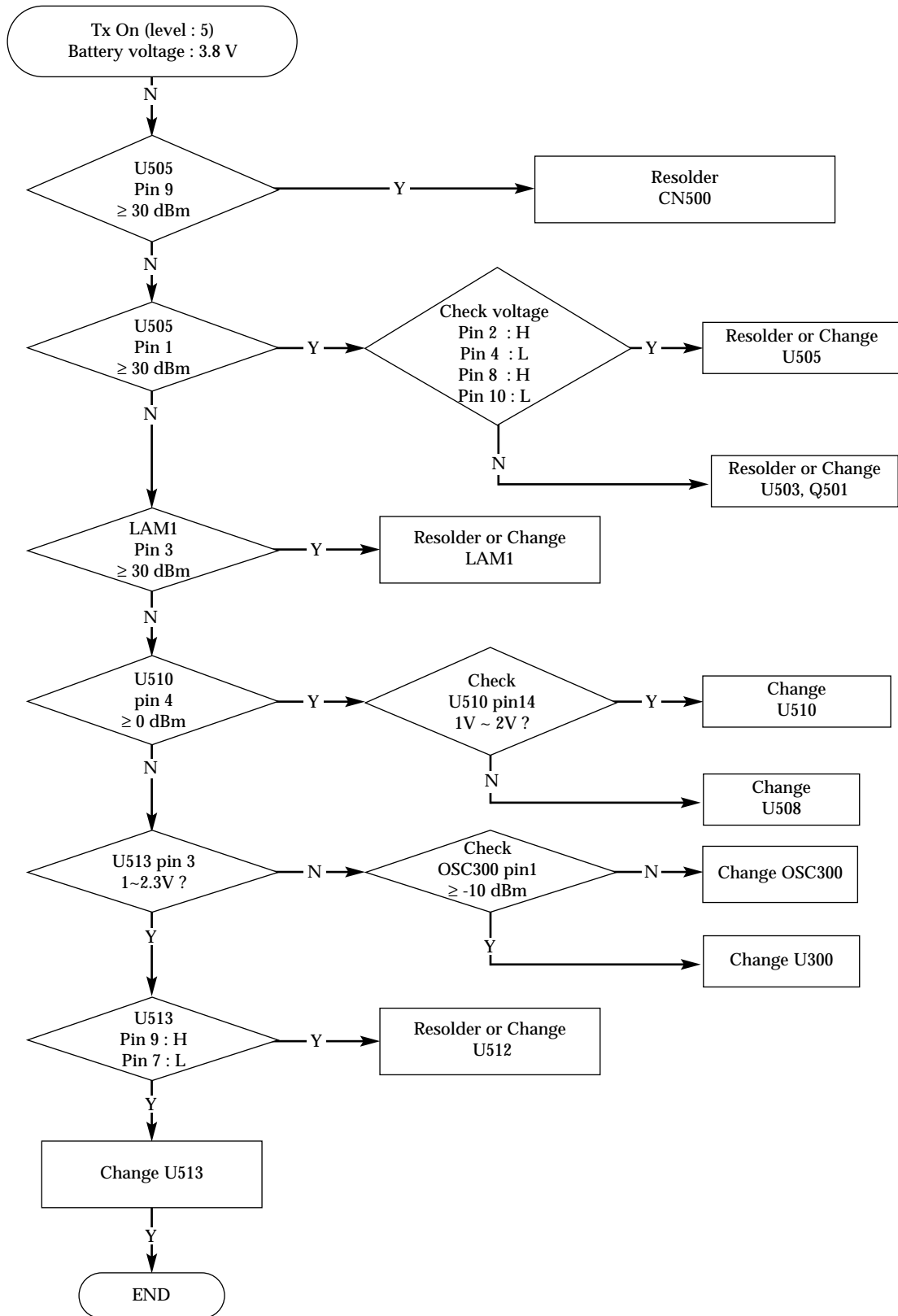
5-10 SGH-A300 Alert Tone



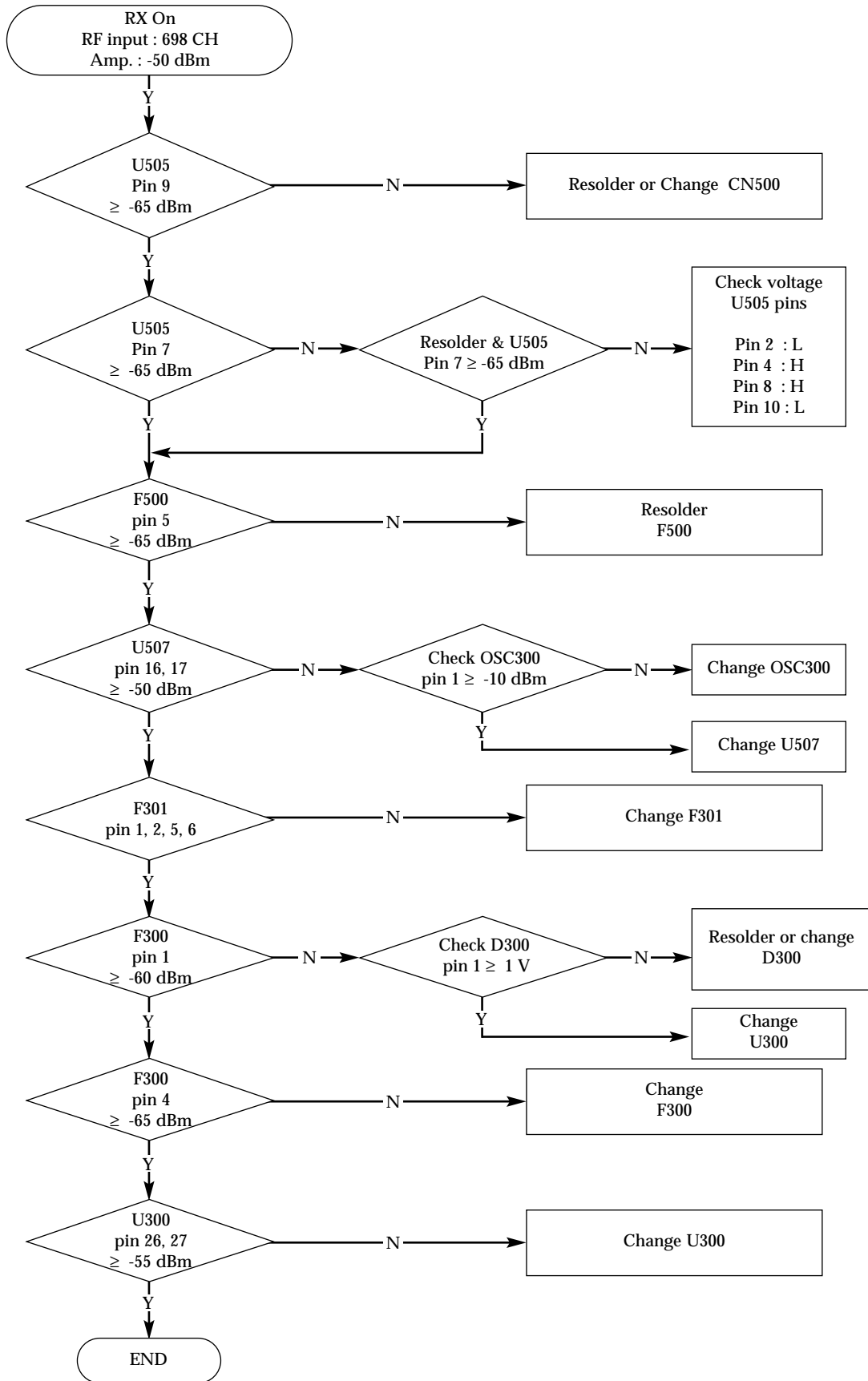
5-11 SGH-A300 GSM Receiver



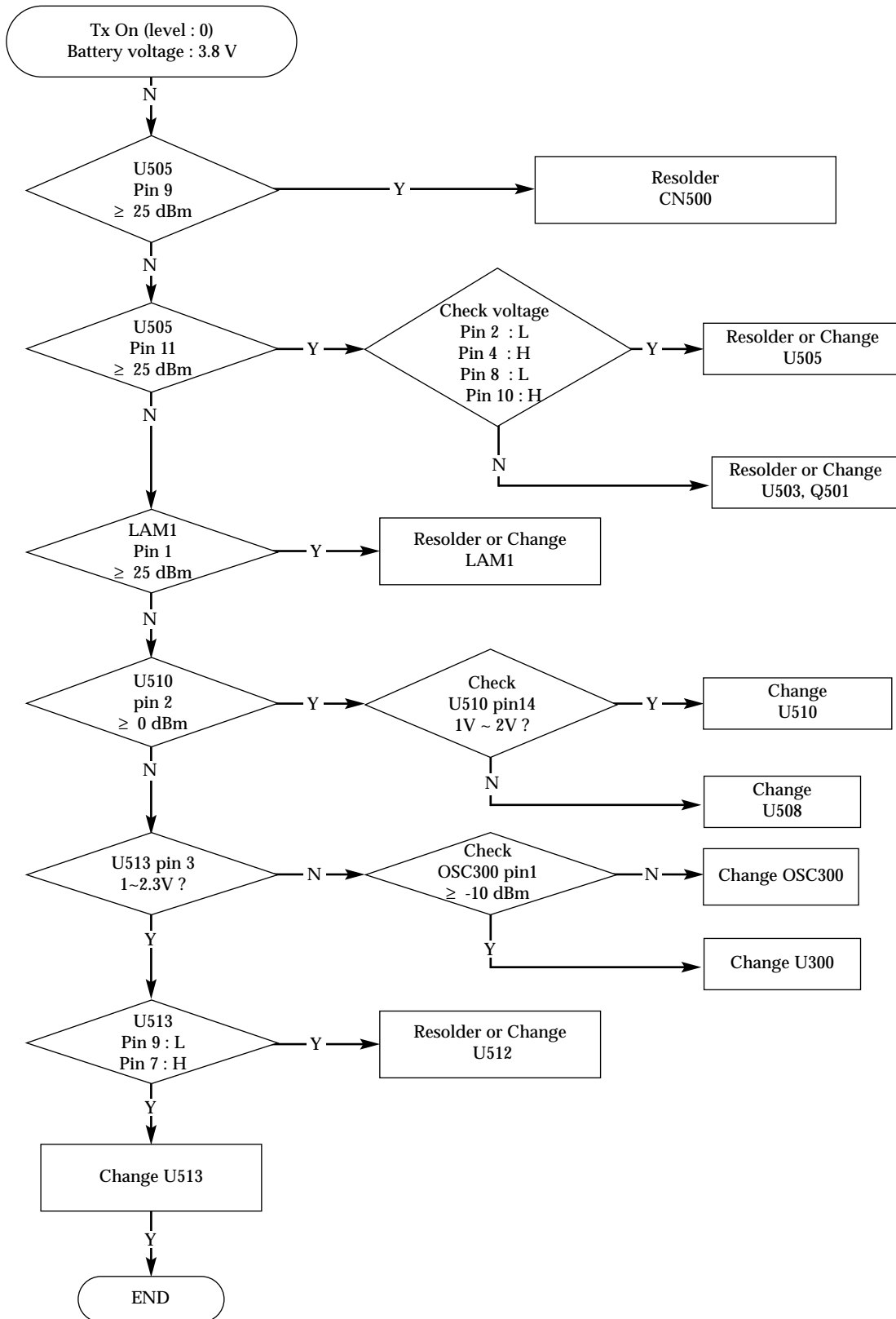
5-12 SGH-A300 GSM Transmit

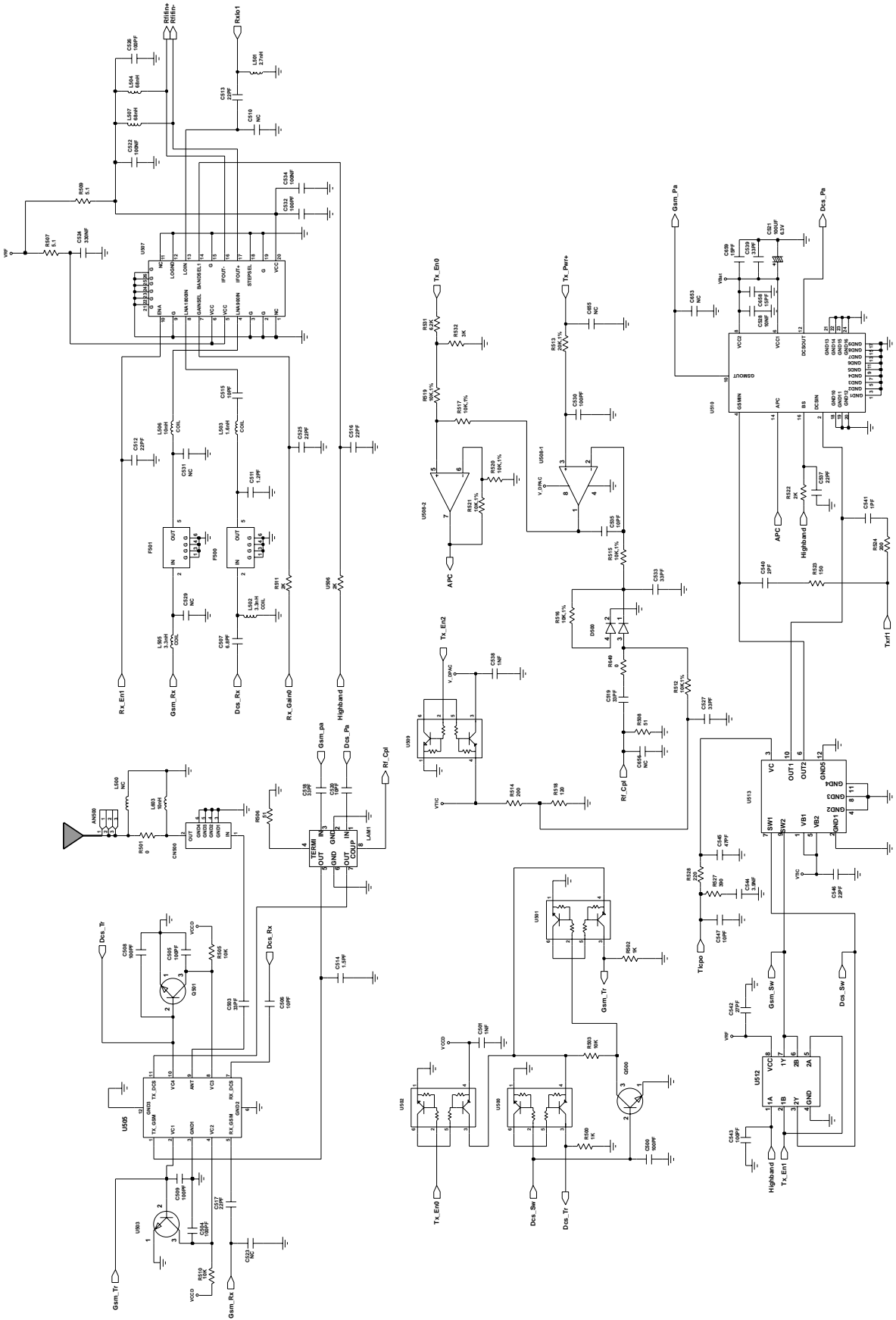


5-13 SGH-A300 DCS Receiver



5-14 SGH-A300 DCS Transmit





Flow Chart of Troubleshooting and Circuit Diagram

