

**SAMSUNG**

# DUAL BAND Mobile Cellular Phone SGH-A100

# **SERVICE** *Manual*

Dual Band Mobile Cellular Phone



CONTENTS

1. Electrical Parts List
2. Exploded Views and Parts List
3. Block Diagram
4. PCB Views
5. Schematic Diagrams

# 1. Electrical Parts List

Level	SEC CODE	Design LOC	DESCRIPTIONS	Remark
0			SGH-A100GA/XEG	
1	6001-001148		SCREW-MACHINE BH, *, M2, L5, ZPC(BLK), SM20C, FDP	
1	GH68-00641B		LABEL(P)-COLOR STICKER(GOLD) SGH-800, ART(100G),	
1	GH68-00718A		LABEL(P)-SHIP(GERM) SGH-A100, CRP, 250X120, 100G,	
1	GH68-30963A		LABEL(R)-BAR CODE SP-D300, PR, 34X6.5, T0.1, WHT	
1	GH71-00077A		NPR-ANT.CONTACT SGH-A100, KSP5202, T0.1, AU	
1	GH71-00219A		NPR-SHIELD PLATE(C) SGH-A100, C5210TS, -, AU	
1	GH72-00515A		PMO-LCD WINDOW SGH-A100, TRP ACRYL, GRY, -, -	
1	GH73-00158A		RMO-R.F COVER SGH-A100, URETHAN, -, D/GRY, -	
1	GH73-00159A		RMO-BUZZER HOLDER SGH-A100, RUBBER, -, BLK, -	
1	GH73-00160A		RMO-MIC HOLDER SGH-A100, RUBBER, -, BLK, -	
1	GH73-00243A		RMO-HINGE RUBBER SCH-A200, RUBBER, 4X6XT1.2,	
1	GH73-00270A		RMO-CONTACT RUBBER SGH-A100, RUBBER,	
1	GH74-00342A		MPR-WINDOW TAPE SGH-A100, VINYL, T0.1, TRP, -	
1	GH75-00223A		MEC-HANGER ROPE SGH-2300, -, GRY	
1	GH92-00724A		PBA MAIN-SGH-2300 SGH-2300, -, USA, -, -, -, -	
1	GH96-00894A		ELA ETC-SGHA100 EAR-MIC SGH-A100, -, USA,	
1	GH97-01483A		MEA FRONT-COVER SGH-A100, -, GERM, GLD, -, -, -	
2	6001-000876		SCREW-MACHINE CH, +, M1.7, L2, ZPC(BLK), SWRCH18	
2	GH72-00510A		PMO-VOLUME KEY SGH-A100, -, D/GRY, -, -	
2	GH72-00511A		PMO-SHIELD COVER SGH-A100, ABS, -, CR, -	
2	GH73-00156A		RMO-KEY PAD SGH-A100, RUBBER, -, -, -	
2	GH74-00342A		MPR-WINDOW TAPE SGH-A100, VINYL, T0.1, TRP, -	
2	GH74-00435A		MPR-SHIELD TAPE SGH-A100, COPPER TAPE,	
2	GH74-00436A		MPR-SHIELD SPONGE SGH-A100, -, 13X6.5XT1.2, SIL, -	
2	GH74-00529A		MPR-SHIELD SPONGE(B) SGH-A100, -, 6.5X6.5X1.2, SIL, -	
2	GH74-00637A		MPR-SHIELD SPONGE(C) SGH-A100, -, 6X10XT1.5, SIL, -	
2	GH74-00639A		MPR-SHIELD TAPE SGH-A100, -, 17X3XT0.1, SIL, -	
2	GH75-00316A		MEC-SUA.FRONT COVER SGH-A100, -, GLD	
3	GH72-00505A		PMO-FRONT COVER SGH-A100, PC, GLD, -, -	
3	GH72-00506A		PMO-REFLECTOR LED SGH-A100, ACRYL, -, -, -	
3	GH72-00509A		PMO-HINGE DUMMY SGH-A100, POM, BLK, -, -	
3	GH75-00147A		MEC-SUA. HINGE SCH-A100, -, BLK	
4	GH70-00020A		IPR-SPRING HINGE SCH-A100, STS304,	
4	GH72-00290A		PMO-HOUSING HINGE SCH-A100, PC, BLK, -, -	

Level	SEC CODE	Design LOC	DESCRIPTIONS	Remark
4	GH72-00291A		PMO-SHAFT HINGE SCH-A100, POM, BLK, -, -	
4	GH72-00292A		PMO-CAM HINGE SCH-A100, POM, BLK, -, -	
3	GH75-00319A		MEC-SUA.FOLDER LOWER SGH-A100, -, GLD	
4	GH71-00074A		NPR-FOLDER BRACKET(R) SGH-A100, C5210SS-H, T0.5,	
4	GH71-00075A		NPR-FOLDER BRACKET(L) SGH-A100, C5210SS-H, T0.5,	
4	GH72-00508A		PMO-FOLDER LOWER SGH-A100, PC, GLD, -, -	
4	GH73-00263A		RMO-FOLD HOLDER SGH-A100, RUBBER, -, D/GRY, -	
4	GH74-00257A		MPR-TAPE WINDOW LCD SGH-A100, TESA, T0.2, TRP, -	
4	GH74-00258A		MPR-TAPE MOTOR SGH-A100, TESA, T0.4, BLK, -	
4	GH74-00259A		MPR-TAPE MAGNETIC SGH-A100, TESA, T0.2, TRP, -	
4	GH74-00260A		MPR-MAGNETIC COVER SGH-A100, PC SHEET,	
4	GH74-00261A		MPR-TAPE LCD SGH-A100, TESA, T0.4, BLK, -	
4	GH74-00343A		MPR-SPONGE FOLDER SGH-A100, SPONGE, T1.0, BLK, -	
2	GH75-00318A		MEC-SUA.FOLDER UPPER SGH-A100, -, GLD	
3	GH72-00507A		PMO-FOLDER UPPER SGH-A100, PC, GLD, -, -	
3	3001-001126		SPEAKER -, 150 ohm, 90dB, -	
3	GH31-00003A		MOTOR-SCH990 SCH-990, 3.0 V, -, 10-55HZ, -, -	
1	GH97-01484A		MEA REAR-COVER SGH-A100, -, GERM, D/GRY, -, -, -	
2	GH71-00076A		NPR-ANT.BUSHING SGH-A100, ZN GOLD PLT, -, AU(24K)	
2	GH71-00172A		NPR-SHIELD PLATE(A) SGH-A100, C5210TS, T0.1, AU	
2	GH71-10639A		NPR-SHIELD STRIP(A) SCH-1100, C1720S-1/2H, T0.1,	
2	GH71-10640A		NPR-SHIELD STRIP(B) SCH-1100, C1720S-1/2H, T0.1,	
2	GH71-10643A		NPR-SHIELD STRIP(D) SCH-1100, C1720S-1/2H, T0.1,	
2	GH71-10651A		NPR-SHIELD STRIP(E) SCH-550, KS D5202, T0.1,	
2	GH74-00638A		MPR-SHIELD SPONGE(D) SGH-A100, -, 9X13XT3, SIL, -	
2	GH75-00320A		MEC-SUA.REAR COVER SGH-A100, -, D/GRY	
3	GH68-00640A		LABEL(R)-R.F SHEET SGH-A100, PC SHEET, -, T0.2,	
3	GH70-00006A		IPR-SIM SPRING SGH-2200, STEEL, -, -	
3	GH70-00021A		IPR-SPRING LOCKER SCH-A100, STS304, T3.3, -	
3	GH72-00299A		PMO-LOCKER SCH-A100, PC, GRY, -, G5295	
3	GH72-00512A		PMO-REAR COVER SGH-A100, PC, D/GRY, -, -	
3	GH72-00513A		PMO-SIM LOCKER SGH-A100, PC, D/GRY, -, -	
3	GH72-00514A		PMO-IRDA WINDOW SGH-A100, PC, VIO, -, -	
3	GH73-00157A		RMO-EARPHONE COVER SGH-A100, URETHAN, -,	
1	GH99-02189A		PAA MAIN-SGH2300 SGH-A100, -, GERM, -, -, -, -	

Level	SEC CODE	Design LOC	DESCRIPTIONS	Remark
2	GG68-10705A		LABEL(P)-SEAL SP-R912, CRP, 65.0x95.0, -, ORG	
2	GH68-00518A		LABEL(P)-SEAL LABEL(VOD) SGH-600, ART PAPER,	
2	GH68-00619A		LABEL(R)-MAIN SGH-A100, MAT, 46.5X36, T0.05, SIL	
2	GH68-11057A		LABEL(P)-MS BAR CODE SCH-1900, ART, 100X155, T0.1,	
2	GH68-11067A		LABEL(P)-BAR CODE SCH-300S, ART, 65X13, 100G, WHT	
2	GH69-00421A		CUSHION-PULP MOLD CASE SGH-A100, -, 186X126X57.5	
2	GH69-00422A		CUSHION-PULP MOLD COVER SGH-A100, PULP,	
2	GH69-00449A		BOX(P)-JEWEL PRESS PS -, SGH-A100, PRESS+PS,	
2	GH69-00470A		BOX(P)-CARTON MAIN GERM, SGH-A100, SW3,	
2	GH69-00472A		BOX(P)-UNIT MAIN GERM, SGH-A100, ST240G+E(KOL),	
2	GH69-30503A		BAG-STD BATT. PE, T0.06, 70X170, SCH-1011	
1	GH42-00042A		ANT. ANTENNA-SGHA100 SGH-A100, 880-915/925-	
2	3002-001062	AU1	BUZZER-MAGNETIC 88dB, 3.6 V, 90mA, 2.731KHz, TP	
1	4302-001081	BACKUP BAT.	BATTERY-LI(2ND) -, .25MAH, COIN, 0.03MA, -, -	
2	4302-001081	BAT1	BATTERY-LI(2ND) -, .25MAH, COIN, 0.03MA, -, -	
1	GH43-00155A	BATT.	BATTERY-915M, GLD, ENG, MAIN 3.6 V, 915mA, -, -, -	
1	GH43-00199A	BATT.	BATTERY-540M, GLD, ENG, MAIN 3.7 V, 540mA, -,	
2	2203-005509	C101	C-CERAMIC, CHIP 330nF, +80-20 %, 10 V, Y5 V, TP, 1005	
2	2404-001105	C102	C-TA, CHIP 10 UF, 20 %, 6.3 V, GP, TP, 2012	
2	2203-000359	C103	C-CERAMIC, CHIP 0.15nF, 5 %, 50 V, NP0, TP, 1005	
2	2203-001432	C104	C-CERAMIC, CHIP 47nF, +80-20 %, 16 V, Y5 V, TP, 1005	
2	2203-005509	C105	C-CERAMIC, CHIP 330nF, +80-20 %, 10 V, Y5 V, TP, 1005	
2	2203-000359	C106	C-CERAMIC, CHIP 0.15nF, 5 %, 50 V, NP0, TP, 1005	
2	2203-001432	C107	C-CERAMIC, CHIP 47nF, +80-20 %, 16 V, Y5 V, TP, 1005	
2	2203-000233	C108	C-CERAMIC, CHIP 0.1nF, 5 %, 50 V, NP0, TP, 1005	
2	2404-001100	C111	C-TA, CHIP 33 uF, 20 %, 6.3 V, GP, TP, 3719, -	
2	2203-001432	C112	C-CERAMIC, CHIP 47nF, +80-20 %, 16 V, Y5 V, TP, 1005	
2	2203-000278	C113	C-CERAMIC, CHIP 0.01nF, 0.5pF, 50 V, NP0, TP, 1005	
2	2203-005158	C114	C-CERAMIC, CHIP 0.0022nF, 0.25pF, 50 V, NP0, TP, 1005	
2	2203-002443	C115	C-CERAMIC, CHIP 0.33nF, 10 %, 50 V, X7R, TP, 1005	
2	2203-001432	C116	C-CERAMIC, CHIP 47nF, +80-20 %, 16 V, Y5 V, TP, 1005	
2	2203-000330	C117	C-CERAMIC, CHIP 0.012nF, 5 %, 50 V, NP0, TP, 1005	
2	2203-001432	C119	C-CERAMIC, CHIP 47nF, +80-20 %, 16 V, Y5 V, TP, 1005	
2	2203-001432	C122	C-CERAMIC, CHIP 47nF, +80-20 %, 16 V, Y5 V, TP, 1005	
2	2203-001432	C123	C-CERAMIC, CHIP 47nF, +80-20 %, 16 V, Y5 V, TP, 1005	

Electrical Parts List

Level	SEC CODE	Design LOC	DESCRIPTIONS	Remark
2	2203-001432	C126	C-CERAMIC, CHIP 47nF, +80-20 %, 16 V, Y5 V, TP, 1005	
2	2203-001432	C127	C-CERAMIC, CHIP 47nF, +80-20 %, 16 V, Y5 V, TP, 1005	
2	2203-000359	C128	C-CERAMIC, CHIP 0.15nF, 5 %, 50 V, NP0, TP, 1005	
2	2203-001432	C129	C-CERAMIC, CHIP 47nF, +80-20 %, 16 V, Y5 V, TP, 1005	
2	2203-005509	C130	C-CERAMIC, CHIP 330nF, +80-20 %, 10 V, Y5 V, TP, 1005	
2	2404-001100	C131	C-TA, CHIP 33 uF, 20 %, 6.3 V, GP, TP, 3719, -	
2	2203-001432	C135	C-CERAMIC, CHIP 47nF, +80-20 %, 16 V, Y5 V, TP, 1005	
2	2203-000278	C136	C-CERAMIC, CHIP 0.01nF, 0.5pF, 50 V, NP0, TP, 1005	
2	2203-000278	C137	C-CERAMIC, CHIP 0.01nF, 0.5pF, 50 V, NP0, TP, 1005	
2	2203-000359	C201	C-CERAMIC, CHIP 0.15nF, 5 %, 50 V, NP0, TP, 1005	
2	2203-005509	C202	C-CERAMIC, CHIP 330nF, +80-20 %, 10 V, Y5 V, TP, 1005	
2	2203-000359	C203	C-CERAMIC, CHIP 0.15nF, 5 %, 50 V, NP0, TP, 1005	
2	2203-005509	C204	C-CERAMIC, CHIP 330nF, +80-20 %, 10 V, Y5 V, TP, 1005	
2	2203-005509	C205	C-CERAMIC, CHIP 330nF, +80-20 %, 10 V, Y5 V, TP, 1005	
2	2203-000359	C206	C-CERAMIC, CHIP 0.15nF, 5 %, 50 V, NP0, TP, 1005	
2	2203-005509	C207	C-CERAMIC, CHIP 330nF, +80-20 %, 10 V, Y5 V, TP, 1005	
2	2203-005065	C208	C-CERAMIC, CHIP 1000nF, +80-20 %, 10 V, Y5 V, TP, 1608	
2	2203-005509	C209	C-CERAMIC, CHIP 330nF, +80-20 %, 10 V, Y5 V, TP, 1005	
2	2203-000359	C210	C-CERAMIC, CHIP 0.15nF, 5 %, 50 V, NP0, TP, 1005	
2	2203-000679	C212	C-CERAMIC, CHIP 0.027nF, 5 %, 50 V, NP0, TP, 1005	
2	2203-000679	C213	C-CERAMIC, CHIP 0.027nF, 5 %, 50 V, NP0, TP, 1005	
2	2203-005061	C250	C-CERAMIC, CHIP 100nF, +80-20 %, 16 V, Y5 V, TP, 1005	
2	2203-000233	C301	C-CERAMIC, CHIP 0.1nF, 5 %, 50 V, NP0, TP, 1005	
2	2203-000233	C302	C-CERAMIC, CHIP 0.1nF, 5 %, 50 V, NP0, TP, 1005	
2	2203-005446	C303	C-CERAMIC, CHIP 0.0027nF, 0.1pF, 50 V, NP0, TP, 1005	
2	2203-005446	C304	C-CERAMIC, CHIP 0.0027nF, 0.1pF, 50 V, NP0, TP, 1005	
2	2203-000233	C306	C-CERAMIC, CHIP 0.1nF, 5 %, 50 V, NP0, TP, 1005	
2	2203-000233	C307	C-CERAMIC, CHIP 0.1nF, 5 %, 50 V, NP0, TP, 1005	
2	2203-000425	C308	C-CERAMIC, CHIP 0.018nF, 5 %, 50 V, NP0, TP, 1005	
2	2203-000628	C309	C-CERAMIC, CHIP 0.022nF, 5 %, 50 V, NP0, TP, 1005	
2	2203-000836	C310	C-CERAMIC, CHIP 390pF, 10 %, 50 V, X7R, TP, 1005, -	
2	2203-000812	C311	C-CERAMIC, CHIP 0.033nF, 5 %, 50 V, NP0, TP, 1005	
2	2203-000940	C312	C-CERAMIC, CHIP 470pF, 10 %, 50 V, X7R, TP, 1005, -	
2	2203-000812	C313	C-CERAMIC, CHIP 0.033nF, 5 %, 50 V, NP0, TP, 1005	
2	2203-000812	C314	C-CERAMIC, CHIP 0.033nF, 5 %, 50 V, NP0, TP, 1005	

Level	SEC CODE	Design LOC	DESCRIPTIONS	Remark
2	2301-001230	C315	C-FILM, CHIP 10nF, 5 %, 16 V, TP, 2012, -	
2	2203-000386	C316	C-CERAMIC, CHIP 0.015nF, 5 %, 50 V, NP0, TP, 1005	
2	2203-000254	C317	C-CERAMIC, CHIP 10nF, 10 %, 16 V, X7R, TP, 1005, -	
2	2203-000438	C318	C-CERAMIC, CHIP 1nF, 10 %, 50 V, X7R, TP, 1005, -	
2	2404-001105	C319	C-TA, CHIP 10 UF, 20 %, 6.3 V, GP, TP, 2012	
2	2203-000812	C321	C-CERAMIC, CHIP 0.033nF, 5 %, 50 V, NP0, TP, 1005	
2	2203-000254	C324	C-CERAMIC, CHIP 10nF, 10 %, 16 V, X7R, TP, 1005, -	
2	2203-001239	C325	C-CERAMIC, CHIP 0.082nF, 5 %, 50 V, NP0, TP, 1005	
2	2203-000233	C326	C-CERAMIC, CHIP 0.1nF, 5 %, 50 V, NP0, TP, 1005	
2	2203-000254	C327	C-CERAMIC, CHIP 10nF, 10 %, 16 V, X7R, TP, 1005, -	
2	2203-000254	C328	C-CERAMIC, CHIP 10nF, 10 %, 16 V, X7R, TP, 1005, -	
2	2203-000233	C329	C-CERAMIC, CHIP 0.1nF, 5 %, 50 V, NP0, TP, 1005	
2	2203-000311	C330	C-CERAMIC, CHIP 0.12nF, 5 %, 50 V, NP0, TP, 1005	
2	2203-000311	C331	C-CERAMIC, CHIP 0.12nF, 5 %, 50 V, NP0, TP, 1005	
2	2203-005158	C332	C-CERAMIC, CHIP 0.0022nF, 0.25pF, 50 V, NP0, TP, 1005	
2	2203-000812	C333	C-CERAMIC, CHIP 0.033nF, 5 %, 50 V, NP0, TP, 1005	
2	2404-001088	C334	C-TA, CHIP 2.2 uF, 20 %, 6.3 V, GP, TP, 2012, -	
2	2203-005158	C337	C-CERAMIC, CHIP 0.0022nF, 0.25pF, 50 V, NP0, TP, 1005	
2	2404-001099	C338	C-TA, CHIP 68 uF, 20 %, 6.3 V, GP, TP, 4035, -	
2	2404-001088	C339	C-TA, CHIP 2.2 uF, 20 %, 6.3 V, GP, TP, 2012, -	
2	2203-000836	C342	C-CERAMIC, CHIP 390pF, 10 %, 50 V, X7R, TP, 1005, -	
2	2203-000940	C343	C-CERAMIC, CHIP 470pF, 10 %, 50 V, X7R, TP, 1005, -	
2	2203-001017	C344	C-CERAMIC, CHIP 0.004nF, 0.25pF, 50 V, NP0, TP, 1005	
2	2301-001230	C346	C-FILM, CHIP 10nF, 5 %, 16 V, TP, 2012, -	
2	2203-001017	C347	C-CERAMIC, CHIP 0.004nF, 0.25pF, 50 V, NP0, TP, 1005	
2	2203-000425	C348	C-CERAMIC, CHIP 0.018nF, 5 %, 50 V, NP0, TP, 1005	
2	2203-000438	C349	C-CERAMIC, CHIP 1nF, 10 %, 50 V, X7R, TP, 1005, -	
2	2203-000330	C350	C-CERAMIC, CHIP 0.012nF, 5 %, 50 V, NP0, TP, 1005	
2	2203-000812	C351	C-CERAMIC, CHIP 0.033nF, 5 %, 50 V, NP0, TP, 1005	
2	2203-005061	C352	C-CERAMIC, CHIP 100nF, +80-20 %, 16 V, Y5 V, TP, 1005	
2	2203-002443	C354	C-CERAMIC, CHIP 0.33nF, 10 %, 50 V, X7R, TP, 1005	
2	2203-000254	C401	C-CERAMIC, CHIP 10nF, 10 %, 16 V, X7R, TP, 1005, -	
2	2203-000233	C402	C-CERAMIC, CHIP 0.1nF, 5 %, 50 V, NP0, TP, 1005	
2	2203-000359	C403	C-CERAMIC, CHIP 0.15nF, 5 %, 50 V, NP0, TP, 1005	
2	2203-005065	C404	C-CERAMIC, CHIP 1000nF, +80-20 %, 10 V, Y5 V, TP, 1608	

Electrical Parts List

Level	SEC CODE	Design LOC	DESCRIPTIONS	Remark
2	2203-000359	C405	C-CERAMIC, CHIP 0.15nF, 5 %, 50 V, NP0, TP, 1005	
2	2203-005065	C406	C-CERAMIC, CHIP 1000nF, +80-20 %, 10 V, Y5 V, TP, 1608	
2	2404-001100	C407	C-TA, CHIP 33 uF, 20 %, 6.3 V, GP, TP, 3719, -	
2	2203-005509	C408	C-CERAMIC, CHIP 330nF, +80-20 %, 10 V, Y5 V, TP, 1005	
2	2203-005065	C409	C-CERAMIC, CHIP 1000nF, +80-20 %, 10 V, Y5 V, TP, 1608	
2	2203-005562	C410	C-CERAMIC, CHIP 10000nF, +80-20 %, 10 V, Y5 V, TP,	
2	2203-005509	C411	C-CERAMIC, CHIP 330nF, +80-20 %, 10 V, Y5 V, TP, 1005	
2	2203-005509	C412	C-CERAMIC, CHIP 330nF, +80-20 %, 10 V, Y5 V, TP, 1005	
2	2203-005065	C413	C-CERAMIC, CHIP 1000nF, +80-20 %, 10 V, Y5 V, TP, 1608	
2	2404-001100	C414	C-TA, CHIP 33 uF, 20 %, 6.3 V, GP, TP, 3719, -	
2	2203-000628	C420	C-CERAMIC, CHIP 0.022nF, 5 %, 50 V, NP0, TP, 1005	
2	2203-005065	C421	C-CERAMIC, CHIP 1000nF, +80-20 %, 10 V, Y5 V, TP, 1608	
2	2404-001083	C422	C-TA, CHIP 220 uF, 20 %, 6.3 V, LZ, TP, 7132	
2	2203-000995	C423	C-CERAMIC, CHIP 0.047nF, 5 %, 50 V, NP0, TP, 1005	
2	2203-000812	C424	C-CERAMIC, CHIP 0.033nF, 5 %, 50 V, NP0, TP, 1005	
2	2203-000812	C425	C-CERAMIC, CHIP 0.033nF, 5 %, 50 V, NP0, TP, 1005	
2	2404-001099	C427	C-TA, CHIP 68 uF, 20 %, 6.3 V, GP, TP, 4035, -	
2	2203-000812	C501	C-CERAMIC, CHIP 0.033nF, 5 %, 50 V, NP0, TP, 1005	
2	2203-000812	C502	C-CERAMIC, CHIP 0.033nF, 5 %, 50 V, NP0, TP, 1005	
2	2203-001432	C505	C-CERAMIC, CHIP 47nF, +80-20 %, 16 V, Y5 V, TP, 1005	
2	2203-000628	C506	C-CERAMIC, CHIP 0.022nF, 5 %, 50 V, NP0, TP, 1005	
2	2203-000233	C510	C-CERAMIC, CHIP 0.1nF, 5 %, 50 V, NP0, TP, 1005	
2	2404-001088	C511	C-TA, CHIP 2.2 uF, 20 %, 6.3 V, GP, TP, 2012, -	
2	2203-000628	C512	C-CERAMIC, CHIP 0.022nF, 5 %, 50 V, NP0, TP, 1005	
2	2203-000995	C515	C-CERAMIC, CHIP 0.047nF, 5 %, 50 V, NP0, TP, 1005	
2	2203-000278	C516	C-CERAMIC, CHIP 0.01nF, 0.5pF, 50 V, NP0, TP, 1005	
2	2203-000628	C519	C-CERAMIC, CHIP 0.022nF, 5 %, 50 V, NP0, TP, 1005	
2	2203-005395	C520	C-CERAMIC, CHIP 0.0047nF, 0.1pF, 50 V, NP0, TP, 1005	
2	2203-001385	C523	C-CERAMIC, CHIP 0.0015nF, 0.25pF, 50 V, NP0, TP, 1005	
2	2703-001798	C524	INDUCTOR-SMD 2.2 NH, 0.3 NH, 1.0X0.5X0.5MM	
2	2203-000696	C525	C-CERAMIC, CHIP 0.002nF, 0.25pF, 50 V, NP0, TP, 1005	
2	2203-000628	C526	C-CERAMIC, CHIP 0.022nF, 5 %, 50 V, NP0, TP, 1005	
2	2203-000438	C527	C-CERAMIC, CHIP 1nF, 10 %, 50 V, X7R, TP, 1005, -	
2	2203-000628	C528	C-CERAMIC, CHIP 0.022nF, 5 %, 50 V, NP0, TP, 1005	
2	2203-000489	C529	C-CERAMIC, CHIP 2.2nF, 10 %, 50 V, X7R, TP, 1005, -	

Level	SEC CODE	Design LOC	DESCRIPTIONS	Remark
2	2203-005509	C531	C-CERAMIC, CHIP 330nF, +80-20 %, 10 V, Y5 V, TP, 1005	
2	2203-005509	C532	C-CERAMIC, CHIP 330nF, +80-20 %, 10 V, Y5 V, TP, 1005	
2	2203-000138	C533	C-CERAMIC, CHIP 1.5nF, 10 %, 50 V, X7R, TP, 1005, -	
2	2203-005509	C534	C-CERAMIC, CHIP 330nF, +80-20 %, 10 V, Y5 V, TP, 1005	
2	2203-001153	C535	C-CERAMIC, CHIP 0.068nF, 5 %, 50 V, NP0, TP, 1005	
2	2203-000995	C536	C-CERAMIC, CHIP 0.047nF, 5 %, 50 V, NP0, TP, 1005	
2	2203-001153	C537	C-CERAMIC, CHIP 0.068nF, 5 %, 50 V, NP0, TP, 1005	
2	2203-000812	C539	C-CERAMIC, CHIP 0.033nF, 5 %, 50 V, NP0, TP, 1005	
2	2203-000254	C541	C-CERAMIC, CHIP 10nF, 10 %, 16 V, X7R, TP, 1005, -	
2	2203-000254	C542	C-CERAMIC, CHIP 10nF, 10 %, 16 V, X7R, TP, 1005, -	
2	2203-000812	C543	C-CERAMIC, CHIP 0.033nF, 5 %, 50 V, NP0, TP, 1005	
2	2203-000233	C544	C-CERAMIC, CHIP 0.1nF, 5 %, 50 V, NP0, TP, 1005	
2	2203-000812	C545	C-CERAMIC, CHIP 0.033nF, 5 %, 50 V, NP0, TP, 1005	
2	2203-000438	C546	C-CERAMIC, CHIP 1nF, 10 %, 50 V, X7R, TP, 1005, -	
2	2203-000812	C547	C-CERAMIC, CHIP 0.033nF, 5 %, 50 V, NP0, TP, 1005	
2	2203-000278	C548	C-CERAMIC, CHIP 0.01nF, 0.5pF, 50 V, NP0, TP, 1005	
2	2203-000995	C549	C-CERAMIC, CHIP 0.047nF, 5 %, 50 V, NP0, TP, 1005	
2	2203-000254	C550	C-CERAMIC, CHIP 10nF, 10 %, 16 V, X7R, TP, 1005, -	
2	2203-000725	C551	C-CERAMIC, CHIP 3.9nF, 10 %, 50 V, X7R, TP, 1005, -	
2	2203-000696	C552	C-CERAMIC, CHIP 0.002nF, 0.25pF, 50 V, NP0, TP, 1005	
2	2404-001100	C553	C-TA, CHIP 33 uF, 20 %, 6.3 V, GP, TP, 3719, -	
2	2203-002759	C554	C-CERAMIC, CHIP 15nF, +80-20 %, 50 V, Y5 V, TP, 1005, -	
2	2203-000628	C555	C-CERAMIC, CHIP 0.022nF, 5 %, 50 V, NP0, TP, 1005	
2	2203-001405	C557	C-CERAMIC, CHIP 22nF, +80-20 %, 25 V, Y5 V, TP, 1005	
2	2203-000466	C558	C-CERAMIC, CHIP 0.001nF, 0.25pF, 50 V, NP0, TP, 1005	
2	2404-001100	C559	C-TA, CHIP 33 uF, 20 %, 6.3 V, GP, TP, 3719, -	
2	2203-000233	C560	C-CERAMIC, CHIP 0.1nF, 5 %, 50 V, NP0, TP, 1005	
2	2203-000233	C561	C-CERAMIC, CHIP 0.1nF, 5 %, 50 V, NP0, TP, 1005	
2	2203-000233	C562	C-CERAMIC, CHIP 0.1nF, 5 %, 50 V, NP0, TP, 1005	
2	2203-000233	C563	C-CERAMIC, CHIP 0.1nF, 5 %, 50 V, NP0, TP, 1005	
2	2203-000812	C564	C-CERAMIC, CHIP 0.033nF, 5 %, 50 V, NP0, TP, 1005	
2	2203-000233	C565	C-CERAMIC, CHIP 0.1nF, 5 %, 50 V, NP0, TP, 1005	
2	2203-000233	C569	C-CERAMIC, CHIP 0.1nF, 5 %, 50 V, NP0, TP, 1005	
2	2203-000466	C570	C-CERAMIC, CHIP 0.001nF, 0.25pF, 50 V, NP0, TP, 1005	
2	2203-000466	C571	C-CERAMIC, CHIP 0.001nF, 0.25pF, 50 V, NP0, TP, 1005	



Electrical Parts List

Level	SEC CODE	Design LOC	DESCRIPTIONS	Remark
2	2203-001383	C572	C-CERAMIC, CHIP 0.0005nF, 0.25pF, 50 V, NP0, TP, 1005	
2	2203-005065	C573	C-CERAMIC, CHIP 1000nF, +80-20 %, 10 V, Y5 V, TP, 1608	
2	2203-000254	C600	C-CERAMIC, CHIP 10nF, 10 %, 16 V, X7R, TP, 1005, -	
2	2404-001100	C604	C-TA, CHIP 33 uF, 20 %, 6.3 V, GP, TP, 3719, -	
2	2203-005065	C606	C-CERAMIC, CHIP 1000nF, +80-20 %, 10 V, Y5 V, TP, 1608	
2	2203-005065	C607	C-CERAMIC, CHIP 1000nF, +80-20 %, 10 V, Y5 V, TP, 1608	
2	2203-000812	C608	C-CERAMIC, CHIP 0.033nF, 5 %, 50 V, NP0, TP, 1005	
2	2203-005065	C610	C-CERAMIC, CHIP 1000nF, +80-20 %, 10 V, Y5 V, TP, 1608	
2	2203-005061	C611	C-CERAMIC, CHIP 100nF, +80-20 %, 16 V, Y5 V, TP, 1005	
2	2203-005061	C612	C-CERAMIC, CHIP 100nF, +80-20 %, 16 V, Y5 V, TP, 1005	
2	2203-005065	C613	C-CERAMIC, CHIP 1000nF, +80-20 %, 10 V, Y5 V, TP, 1608	
2	2203-005061	C615	C-CERAMIC, CHIP 100nF, +80-20 %, 16 V, Y5 V, TP, 1005	
2	2203-005061	C616	C-CERAMIC, CHIP 100nF, +80-20 %, 16 V, Y5 V, TP, 1005	
2	2203-005065	C617	C-CERAMIC, CHIP 1000nF, +80-20 %, 10 V, Y5 V, TP, 1608	
2	2203-005583	C618	C-CERAMIC, CHIP 10000nF, +80-20 %, 16 V, Y5 V, TP,	
2	2404-001100	C619	C-TA, CHIP 33 uF, 20 %, 6.3 V, GP, TP, 3719, -	
2	2404-001020	C620	C-TA, CHIP 10 uF, 20 %, 10 V, GP, TP, 3216, 3.2	
2	2203-005682	C624	C-CERAMIC, CHIP 0.033nF, 5 %, 25 V, NP0, TP, 0603	
2	2203-005683	C625	C-CERAMIC, CHIP 0.008nF, 0.5pF, 25 V, NP0, TP, 0603	
2	2203-005682	C626	C-CERAMIC, CHIP 0.033nF, 5 %, 25 V, NP0, TP, 0603	
2	2203-005683	C628	C-CERAMIC, CHIP 0.008nF, 0.5pF, 25 V, NP0, TP, 0603	
2	2203-005683	C629	C-CERAMIC, CHIP 0.008nF, 0.5pF, 25 V, NP0, TP, 0603	
2	2203-005683	C630	C-CERAMIC, CHIP 0.008nF, 0.5pF, 25 V, NP0, TP, 0603	
2	2203-005682	C631	C-CERAMIC, CHIP 0.033nF, 5 %, 25 V, NP0, TP, 0603	
2	2203-005683	C632	C-CERAMIC, CHIP 0.008nF, 0.5pF, 25 V, NP0, TP, 0603	
2	2203-005683	C633	C-CERAMIC, CHIP 0.008nF, 0.5pF, 25 V, NP0, TP, 0603	
2	2203-005683	C634	C-CERAMIC, CHIP 0.008nF, 0.5pF, 25 V, NP0, TP, 0603	
2	2203-005683	C635	C-CERAMIC, CHIP 0.008nF, 0.5pF, 25 V, NP0, TP, 0603	
2	2203-005683	C636	C-CERAMIC, CHIP 0.008nF, 0.5pF, 25 V, NP0, TP, 0603	
2	2203-005683	C637	C-CERAMIC, CHIP 0.008nF, 0.5pF, 25 V, NP0, TP, 0603	
2	2203-005683	C638	C-CERAMIC, CHIP 0.008nF, 0.5pF, 25 V, NP0, TP, 0603	
2	2203-005683	C639	C-CERAMIC, CHIP 0.008nF, 0.5pF, 25 V, NP0, TP, 0603	
2	2203-005682	C640	C-CERAMIC, CHIP 0.033nF, 5 %, 25 V, NP0, TP, 0603	
2	2203-005683	C643	C-CERAMIC, CHIP 0.008nF, 0.5pF, 25 V, NP0, TP, 0603	
2	2203-000812	C644	C-CERAMIC, CHIP 0.033nF, 5 %, 50 V, NP0, TP, 1005	

Level	SEC CODE	Design LOC	DESCRIPTIONS	Remark
2	2203-000812	C645	C-CERAMIC, CHIP 0.033nF, 5 %, 50 V, NP0, TP, 1005	
2	2203-000812	C646	C-CERAMIC, CHIP 0.033nF, 5 %, 50 V, NP0, TP, 1005	
2	2203-000812	C647	C-CERAMIC, CHIP 0.033nF, 5 %, 50 V, NP0, TP, 1005	
2	2203-005682	C650	C-CERAMIC, CHIP 0.033nF, 5 %, 25 V, NP0, TP, 0603	
2	2203-005367	C652	C-CERAMIC, CHIP 6800nF, +80-20 %, 25 V, Y5 V, TP, 3225	
2	2203-000254	C655	C-CERAMIC, CHIP 10nF, 10 %, 16 V, X7R, TP, 1005, -	
2	2203-000812	C657	C-CERAMIC, CHIP 0.033nF, 5 %, 50 V, NP0, TP, 1005	
2	2203-000812	C658	C-CERAMIC, CHIP 0.033nF, 5 %, 50 V, NP0, TP, 1005	
2	3709-001137	CN401	CONNECTOR-CARD EDGE 6P, 2.54MM, SMD-S, AU15U	
2	3705-001163	CN501	CONNECTOR-COAXIAL SMC, JACK, 100 Mohm, 50 ohm,	
2	3710-001547	CN601	CONNECTOR-SOCKET 14P, 1R, 1MM, SMD-A, AU15U	
2	3711-004419	CN602	CONNECTOR-HEADER BOX, 30P, 2R, 0.5mm, SMD-S,	
2	3708-001396	CN603	CONNECTOR-FPC/FC/PIC 22P, 0.5MM, SMD-A, SN	
2	3722-001172	CN604	JACK-AC POWER 2P, 2.6PI, AU, BLK, NO	
2	0401-001033	D201	DIODE-SWITCHING MCL4154, 25 V, 200mA, M-MELF, TP	
2	0405-001057	D301	DIODE-VARACTOR SMV1234-004, 15 V, 50NA, SOT-23, TP	
2	0407-001002	D501	DIODE-ARRAY DAN222, 80 V, 300mA, CA2-3, EM3, TP	
2	0407-000115	D602	DIODE-ARRAY DAN202U, 80 V, 100mA, CA2-3, SC-70,	
2	0407-001006	D603	DIODE-ARRAY DA221, 20 V, 100mA, C2-3, EM3, TR	
2	2904-001165	F301	FILTER-SAW 400MHZ, .28MHZ, +-70KHZ, TP, 6.5DB, -	
2	2903-001211	F302	FILTER-CERAMIC BP, 14.6MHz, 300KHz, 6dB, 1dB, TP, -	
2	2904-001124	F501	FILTER-SAW 947.5MHz, 25MHz, +-12.5MHz/1.4dB, TP,	
2	2904-001096	F502	FILTER-SAW 1.8425GHz, 75MHz, +-37.5MHz/2.5dB, TP,	
2	GH59-00018A	KEY MODULE	UNIT-SGH2300 KEA PAD SGH-2300, HUUW9512-010010, -,	
2	2703-000310	L101	INDUCTOR-SMD 1.8 uH, 10 %, 0.8x1.6x0.8mm	
2	2703-001543	L303	INDUCTOR-SMD 33 nH, 5 %, 1.8x1.12x1.02mm	
2	2703-001543	L304	INDUCTOR-SMD 33 nH, 5 %, 1.8x1.12x1.02mm	
2	2703-001545	L307	INDUCTOR-SMD 47 nH, 5 %, 1.8x1.12x1.02mm	
2	2703-001600	L308	INDUCTOR-SMD 6.8 nH, 10 %, 1.6x0.8x0.8mm	
2	2703-001600	L309	INDUCTOR-SMD 6.8 nH, 10 %, 1.6x0.8x0.8mm	
2	2703-001600	L310	INDUCTOR-SMD 6.8 nH, 10 %, 1.6x0.8x0.8mm	
2	2703-001600	L311	INDUCTOR-SMD 6.8 nH, 10 %, 1.6x0.8x0.8mm	
2	2703-001232	L313	INDUCTOR-SMD 1.5 uH, 10 %, 1.6x0.8x0.8mm	
2	2703-001547	L314	INDUCTOR-SMD 10 nH, 5 %, 1.8x1.12x1.02mm	
2	2703-001547	L315	INDUCTOR-SMD 10 nH, 5 %, 1.8x1.12x1.02mm	

Electrical Parts List

Level	SEC CODE	Design LOC	DESCRIPTIONS	Remark
2	2703-001297	L316	INDUCTOR-SMD 10 nH, 10 %, 1.6x0.8x0.8mm	
2	2703-001854	L401	INDUCTOR-SMD 22 uH, 20 %, 4.8X4.8X1.8MM	
2	2703-001595	L402	INDUCTOR-SMD 47 nH, 5 %, 1.0x0.5x0.5mm	
2	3301-001208	L403	CORE-FERRITE BEAD AB, 1.6x0.8x0.8mm, -, -	
2	2703-001297	L502	INDUCTOR-SMD 10 nH, 10 %, 1.6x0.8x0.8mm	
2	2703-001172	L503	INDUCTOR-SMD 100 nH, 5 %, 1.6x0.8x0.8mm	
2	2703-001172	L504	INDUCTOR-SMD 100 nH, 5 %, 1.6x0.8x0.8mm	
2	2703-001708	L505	INDUCTOR-SMD 5.6 nH, 10 %, 1.0x0.5x0.5mm	
2	2703-001207	L506	INDUCTOR-SMD 6.8 nH, 5 %, 1.6x0.8X0.8mm	
2	2703-001206	L509	INDUCTOR-SMD 4.7 nH, 0.3 nH, 1.6x0.8X0.8mm	
2	2703-001513	L510	INDUCTOR-SMD 100 nH, 5 %, 1.8x1.12x1.02mm	
2	2703-001513	L511	INDUCTOR-SMD 100 nH, 5 %, 1.8x1.12x1.02mm	
2	2703-001798	L512	INDUCTOR-SMD 2.2 nH, 0.3 NH, 1.0X0.5X0.5MM	
2	2703-001853	L601	INDUCTOR-SMD 10 uH, 20 %, 6X6X1.8MM	
2	2007-001292	L605	R-CHIP 33 ohm, 5 %, 1/16 W, DA, TP, 1005	
2	2703-000175	L606	INDUCTOR-SMD 270 nH, 10 %, 0.8x1.6x0.8mm	
2	3301-001208	L607	CORE-FERRITE BEAD AB, 1.6x0.8x0.8mm, -, -	
2	3301-001208	L608	CORE-FERRITE BEAD AB, 1.6x0.8x0.8mm, -, -	
2	GH96-00808A	LCD ASS'Y	ELA ETC-SGH2300 LCD SGH-2300, -, -, LCD MODULE, -,	
2	0604-001146	LED2	PHOTO-IRDA -, 875NM, 500M W, 30DEG, TP	
1	3003-001041	MIC	MIC-CONDENSOR 2 V, 0.5mA, -40dB+-3dB, 2.2Kohm	
2	2801-003695	OSC101	CRYSTAL-SMD 19.5MHz, 10ppm, 28-ABK, 10.2pF, 20	
2	2801-003747	OSC201	CRYSTAL-SMD .032768MHZ, 30PPM, 28-ACM, 9PF,	
2	2806-001191	OSC301	OSCILLATOR-VCO 1258-1360MHZ, -, 50 ohm, TP, 2.7 V,	
2	GH41-00047A	PCB	PCB-SGHA100 SGH-A100, FR-4, -, 0.8T, 90.3X117.8	
2	0505-001237	Q401	FET-SILICON MGSF3442 V, N, 20 V, 4A, 0.07 ohm, 2 W,	
2	0501-002202	Q406	TR-SMALL SIGNAL MMBT2222AWT1, NPN, 150m W,	
2	0504-001012	Q501	TR-DIGITAL DTC114YE, NPN, 150M W, 10K/47K, EMT3, TP	
2	0504-001012	Q502	TR-DIGITAL DTC114YE, NPN, 150M W, 10K/47K, EMT3, TP	
2	0504-001012	Q503	TR-DIGITAL DTC114YE, NPN, 150M W, 10K/47K, EMT3, TP	
2	0504-000168	Q605	TR-DIGITAL RN1104, NPN, 100M W, 47K/47K, SSM, TP	
2	0504-000168	Q606	TR-DIGITAL RN1104, NPN, 100M W, 47K/47K, SSM, TP	
2	0504-000168	Q607	TR-DIGITAL RN1104, NPN, 100M W, 47K/47K, SSM, TP	
2	0501-002202	Q608	TR-SMALL SIGNAL MMBT2222AWT1, NPN, 150m W,	
2	0504-000168	Q609	TR-DIGITAL RN1104, NPN, 100M W, 47K/47K, SSM, TP	

Level	SEC CODE	Design LOC	DESCRIPTIONS	Remark
2	2007-000172	R101	R-CHIP 10 ohm, 5 %, 1/16 W, DA, TP, 1005	
2	2007-000140	R102	R-CHIP 1 kohm, 5 %, 1/16 W, DA, TP, 1005	
2	2007-007197	R103	R-CHIP 3.3 ohm, 5 %, 1/16 W, DA, TP, 1005	
2	2007-007197	R104	R-CHIP 3.3 ohm, 5 %, 1/16 W, DA, TP, 1005	
2	2007-000140	R105	R-CHIP 1 kohm, 5 %, 1/16 W, DA, TP, 1005	
2	2007-007468	R106	R-CHIP 121 kohm, 1 %, 1/16 W, DA, TP, 1005	
2	2007-007092	R107	R-CHIP 1.1 kohm, 5 %, 1/16 W, DA, TP, 1005	
2	2007-000140	R108	R-CHIP 1 kohm, 5 %, 1/16 W, DA, TP, 1005	
2	2007-007771	R110	R-CHIP 0 ohm, 5 %, 1/16 W, DA, TP, 1005	
2	2007-007092	R112	R-CHIP 1.1 kohm, 5 %, 1/16 W, DA, TP, 1005	
2	2007-007197	R114	R-CHIP 3.3 ohm, 5 %, 1/16 W, DA, TP, 1005	
2	2007-007197	R115	R-CHIP 3.3 ohm, 5 %, 1/16 W, DA, TP, 1005	
2	2007-000775	R116	R-CHIP 33 kohm, 5 %, 1/16 W, DA, TP, 1005	
2	2007-000173	R117	R-CHIP 22 ohm, 5 %, 1/16 W, DA, TP, 1005	
2	2007-000140	R201	R-CHIP 1 kohm, 5 %, 1/16 W, DA, TP, 1005	
2	2007-000148	R202	R-CHIP 10 kohm, 5 %, 1/16 W, DA, TP, 1005	
2	2007-000148	R204	R-CHIP 10 kohm, 5 %, 1/16 W, DA, TP, 1005	
2	2007-000148	R205	R-CHIP 10 kohm, 5 %, 1/16 W, DA, TP, 1005	
2	2007-000148	R206	R-CHIP 10 kohm, 5 %, 1/16 W, DA, TP, 1005	
2	2007-000148	R207	R-CHIP 10 kohm, 5 %, 1/16 W, DA, TP, 1005	
2	2007-000170	R212	R-CHIP 1 Mohm, 5 %, 1/16 W, DA, TP, 1005	
2	2007-007771	R213	R-CHIP 0 ohm, 5 %, 1/16 W, DA, TP, 1005	
2	2007-000138	R214	R-CHIP 100 ohm, 5 %, 1/16 W, DA, TP, 1005	
2	2007-001298	R301	R-CHIP 51 ohm, 5 %, 1/16 W, DA, TP, 1005	
2	2007-007001	R302	R-CHIP 3.9 kohm, 5 %, 1/16 W, DA, TP, 1005	
2	2007-000172	R303	R-CHIP 10 ohm, 5 %, 1/16 W, DA, TP, 1005	
2	2007-000143	R304	R-CHIP 4.7 kohm, 5 %, 1/16 W, DA, TP, 1005	
2	2007-001298	R305	R-CHIP 51 ohm, 5 %, 1/16 W, DA, TP, 1005	
2	2007-001323	R306	R-CHIP 3 kohm, 5 %, 1/16 W, DA, TP, 1005	
2	2007-001323	R307	R-CHIP 3 kohm, 5 %, 1/16 W, DA, TP, 1005	
2	2007-000172	R308	R-CHIP 10 ohm, 5 %, 1/16 W, DA, TP, 1005	
2	2007-000140	R309	R-CHIP 1 kohm, 5 %, 1/16 W, DA, TP, 1005	
2	2007-000173	R310	R-CHIP 22 ohm, 5 %, 1/16 W, DA, TP, 1005	
2	2007-000172	R312	R-CHIP 10 ohm, 5 %, 1/16 W, DA, TP, 1005	
2	2007-000146	R313	R-CHIP 6.8 kohm, 5 %, 1/16 W, DA, TP, 1005	

Electrical Parts List

Level	SEC CODE	Design LOC	DESCRIPTIONS	Remark
2	2007-000143	R314	R-CHIP 4.7 kohm, 5 %, 1/16 W, DA, TP, 1005	
2	2007-000172	R321	R-CHIP 10 ohm, 5 %, 1/16 W, DA, TP, 1005	
2	2007-000138	R322	R-CHIP 100 ohm, 5 %, 1/16 W, DA, TP, 1005	
2	2007-000138	R323	R-CHIP 100 ohm, 5 %, 1/16 W, DA, TP, 1005	
2	2007-000173	R325	R-CHIP 22 ohm, 5 %, 1/16 W, DA, TP, 1005	
2	2007-000172	R326	R-CHIP 10 ohm, 5 %, 1/16 W, DA, TP, 1005	
2	2007-001298	R327	R-CHIP 51 ohm, 5 %, 1/16 W, DA, TP, 1005	
2	2007-001298	R328	R-CHIP 51 ohm, 5 %, 1/16 W, DA, TP, 1005	
2	2007-007001	R329	R-CHIP 3.9 kohm, 5 %, 1/16 W, DA, TP, 1005	
2	2007-000162	R401	R-CHIP 100 kohm, 5 %, 1/16 W, DA, TP, 1005	
2	2007-000143	R402	R-CHIP 4.7 kohm, 5 %, 1/16 W, DA, TP, 1005	
2	2007-007771	R403	R-CHIP 0 ohm, 5 %, 1/16 W, DA, TP, 1005	
2	2007-007833	R406	R-CHIP 0.68 ohm, 2 %, 1/10 W, DA, TP, 2012	
2	2007-000148	R409	R-CHIP 10 kohm, 5 %, 1/16 W, DA, TP, 1005	
2	2007-000141	R417	R-CHIP 2.2 kohm, 5 %, 1/16 W, DA, TP, 1005	
2	2007-000138	R418	R-CHIP 100 ohm, 5 %, 1/16 W, DA, TP, 1005	
2	2007-007771	R419	R-CHIP 0 ohm, 5 %, 1/16 W, DA, TP, 1005	
2	2007-007771	R420	R-CHIP 0 ohm, 5 %, 1/16 W, DA, TP, 1005	
2	2007-000172	R501	R-CHIP 10 ohm, 5 %, 1/16 W, DA, TP, 1005	
2	2007-000148	R503	R-CHIP 10 kohm, 5 %, 1/16 W, DA, TP, 1005	
2	2007-000148	R504	R-CHIP 10 kohm, 5 %, 1/16 W, DA, TP, 1005	
2	2007-000137	R505	R-CHIP 2 kohm, 5 %, 1/16 W, DA, TP, 1005	
2	2007-000137	R507	R-CHIP 2 kohm, 5 %, 1/16 W, DA, TP, 1005	
2	2007-000140	R509	R-CHIP 1 kohm, 5 %, 1/16 W, DA, TP, 1005	
2	2007-000148	R510	R-CHIP 10 kohm, 5 %, 1/16 W, DA, TP, 1005	
2	2007-007470	R512	R-CHIP 7.5 kohm, 1 %, 1/16 W, DA, TP, 1005	
2	2007-007312	R513	R-CHIP 20 kohm, 1 %, 1/16 W, DA, TP, 1005	
2	2007-000148	R514	R-CHIP 10 kohm, 5 %, 1/16 W, DA, TP, 1005	
2	2007-000144	R516	R-CHIP 5.1 kohm, 5 %, 1/16 W, DA, TP, 1005	
2	2007-007771	R517	R-CHIP 0 ohm, 5 %, 1/16 W, DA, TP, 1005	
2	2007-000170	R518	R-CHIP 1 Mohm, 5 %, 1/16 W, DA, TP, 1005	
2	2007-001298	R519	R-CHIP 51 ohm, 5 %, 1/16 W, DA, TP, 1005	
2	2007-000144	R520	R-CHIP 5.1 kohm, 5 %, 1/16 W, DA, TP, 1005	
2	2007-001305	R521	R-CHIP 120 ohm, 5 %, 1/16 W, DA, TP, 1005	
2	2007-001305	R522	R-CHIP 120 ohm, 5 %, 1/16 W, DA, TP, 1005	

Level	SEC CODE	Design LOC	DESCRIPTIONS	Remark
2	2007-000140	R523	R-CHIP 1 kohm, 5 %, 1/16 W, DA, TP, 1005	
2	2007-000139	R524	R-CHIP 220 ohm, 5 %, 1/16 W, DA, TP, 1005	
2	2007-007095	R525	R-CHIP 390 ohm, 5 %, 1/16 W, DA, TP, 1005	
2	2007-003001	R526	R-CHIP 12 ohm, 5 %, 1/16 W, DA, TP, 1005	
2	2007-002965	R527	R-CHIP 15 ohm, 5 %, 1/16 W, DA, TP, 1005	
2	2007-001306	R528	R-CHIP 150 ohm, 5 %, 1/16 W, DA, TP, 1005	
2	2007-001308	R529	R-CHIP 200 ohm, 5 %, 1/16 W, DA, TP, 1005	
2	2007-007193	R530	R-CHIP 5.1 ohm, 5 %, 1/16 W, DA, TP, 1005	
2	2007-000151	R531	R-CHIP 15 kohm, 5 %, 1/16 W, DA, TP, 1005	
2	2007-000140	R532	R-CHIP 1 kohm, 5 %, 1/16 W, DA, TP, 1005	
2	2007-001298	R533	R-CHIP 51 ohm, 5 %, 1/16 W, DA, TP, 1005	
2	2007-000157	R534	R-CHIP 47 kohm, 5 %, 1/16 W, DA, TP, 1005	
2	2007-000148	R535	R-CHIP 10 kohm, 5 %, 1/16 W, DA, TP, 1005	
2	2007-000142	R601	R-CHIP 2.7 kohm, 5 %, 1/16 W, DA, TP, 1005	
2	2007-000148	R603	R-CHIP 10 kohm, 5 %, 1/16 W, DA, TP, 1005	
2	2007-000162	R609	R-CHIP 100 kohm, 5 %, 1/16 W, DA, TP, 1005	
2	2007-000168	R611	R-CHIP 470 kohm, 5 %, 1/16 W, DA, TP, 1005	
2	2007-000153	R613	R-CHIP 22 kohm, 5 %, 1/16 W, DA, TP, 1005	
2	2007-001119	R614	R-CHIP 680 ohm, 5 %, 1/16 W, DA, TP, 1005	
2	2007-000162	R631	R-CHIP 100 kohm, 5 %, 1/16 W, DA, TP, 1005	
2	2007-001306	R633	R-CHIP 150 ohm, 5 %, 1/16 W, DA, TP, 1005	
2	2007-000140	R634	R-CHIP 1 kohm, 5 %, 1/16 W, DA, TP, 1005	
2	2007-007875	R637	R-CHIP 160 kohm, 1 %, 1/16 W, DA, TP, 1005	
2	2007-000162	R638	R-CHIP 100 kohm, 5 %, 1/16 W, DA, TP, 1005	
2	2007-007592	R639	R-CHIP 270 kohm, 1 %, 1/16 W, DA, TP, 1005	
2	2007-000162	R640	R-CHIP 100 kohm, 5 %, 1/16 W, DA, TP, 1005	
2	2007-000162	R641	R-CHIP 100 kohm, 5 %, 1/16 W, DA, TP, 1005	
2	2007-000165	R642	R-CHIP 200 kohm, 5 %, 1/16 W, DA, TP, 1005	
2	2007-000775	R643	R-CHIP 33 kohm, 5 %, 1/16 W, DA, TP, 1005	
2	2007-007309	R644	R-CHIP 12 kohm, 1 %, 1/16 W, DA, TP, 1005	
2	2007-000636	R645	R-CHIP 270 kohm, 5 %, 1/16 W, DA, TP, 1005	
2	2007-001333	R646	R-CHIP 18 kohm, 5 %, 1/16 W, DA, TP, 1005	
2	2007-000149	R647	R-CHIP 12 kohm, 5 %, 1/16 W, DA, TP, 1005	
2	2007-000140	R648	R-CHIP 1 kohm, 5 %, 1/16 W, DA, TP, 1005	
2	2007-000142	R649	R-CHIP 2.7 kohm, 5 %, 1/16 W, DA, TP, 1005	

Electrical Parts List

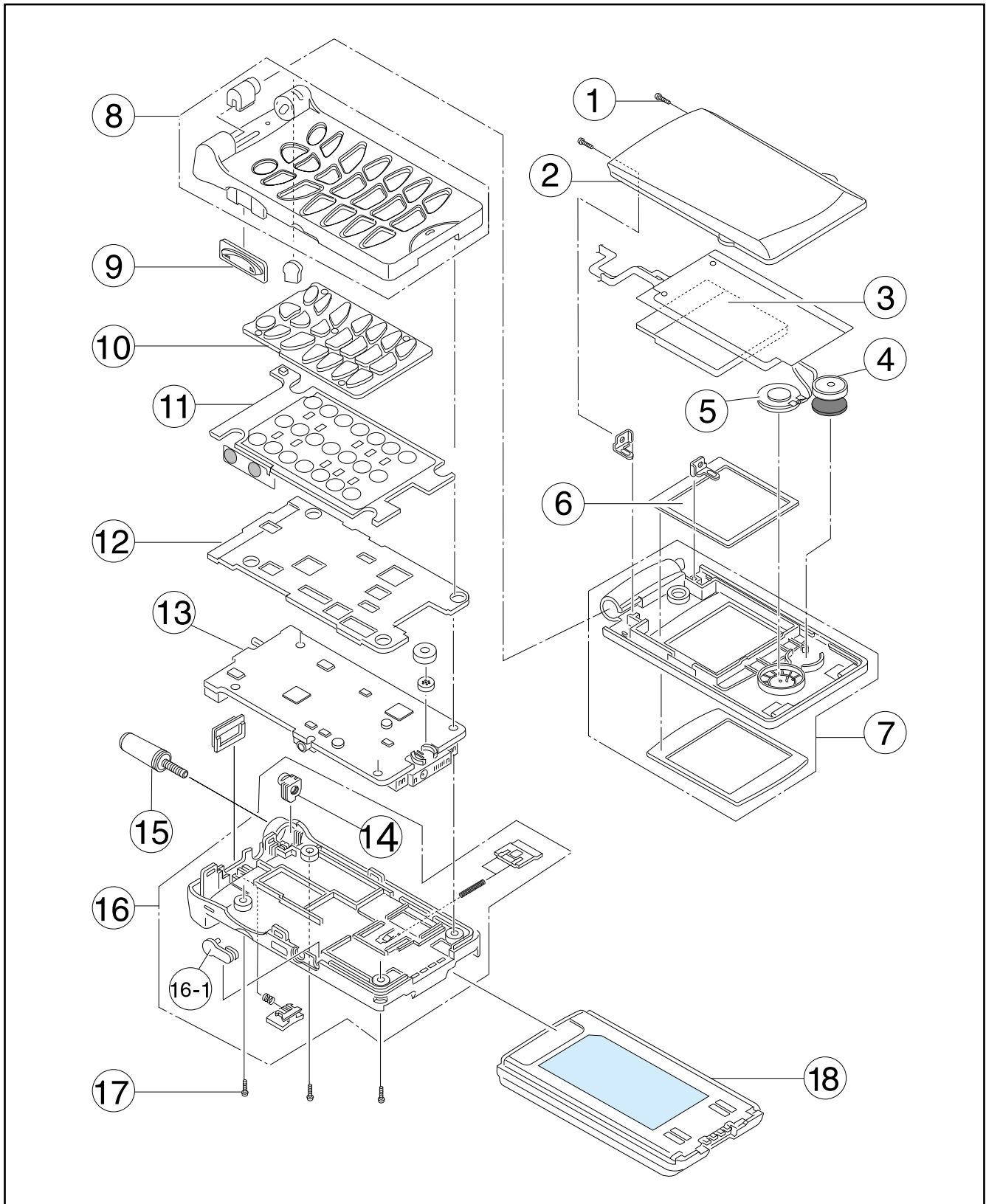
Level	SEC CODE	Design LOC	DESCRIPTIONS	Remark
2	2007-007008	R650	R-CHIP 300 ohm, 5 %, 1/16 W, DA, TP, 1005	
2	2007-000140	R651	R-CHIP 1 kohm, 5 %, 1/16 W, DA, TP, 1005	
2	2007-000140	R652	R-CHIP 1 kohm, 5 %, 1/16 W, DA, TP, 1005	
2	2007-002797	R653	R-CHIP 560 ohm, 5 %, 1/16 W, DA, TP, 1005	
2	2007-000140	R654	R-CHIP 1 kohm, 5 %, 1/16 W, DA, TP, 1005	
2	2007-000162	R655	R-CHIP 100 kohm, 5 %, 1/16 W, DA, TP, 1005	
2	2007-001307	R656	R-CHIP 180 ohm, 5 %, 1/16 W, DA, TP, 1005	
2	2007-000758	R680	R-CHIP 330 kohm, 5 %, 1/16 W, DA, TP, 1005	
2	2007-000758	R681	R-CHIP 330 kohm, 5 %, 1/16 W, DA, TP, 1005	
1	GH44-00103A	TA	ADAPTOR-SGHA100 TA SGH-A100, AC/DC, -, 85~265VAC	
2	1205-001708	U101	IC-CODEC 20420, BGA, 100P, -, PLASTIC, 2.7 V, -	
2	0902-001231	U201	IC-MICROPROCESSOR 46, 16BIT, BGA, 180P, -	
2	1203-001917	U202	IC-VOLTAGE REGULATOR 5213, SOT-23, 5P, 50MIL,	
2	1205-001647	U301	IC-TRANSCEIVER RF137, TQFP, 48P, 275MIL, PALSTIC,	
2	1203-001703	U401	IC-VOLTAGE REGULATOR 20436, TQFP, 48P, 275MIL,	
2	2909-001084	U501	FILTER-DUPLEXER 942.5MHZ, 897.5MHZ, 1/1.2DB, TP, -, -	
2	1201-001420	U502	IC-IF/RF AMP RF210, TSSOP, 20P, 255MIL, -, -, PLASTIC,	
2	4709-001144	U503	COUPLER-DIRECTION 897.5/1747.5MHZ, 19DB/14DB,	
2	0504-001042	U504	TR-DIGITAL BCR10PN, NPN/PNP, 250m W, 10K/10K,	
2	0504-001042	U505	TR-DIGITAL BCR10PN, NPN/PNP, 250m W, 10K/10K,	
2	0504-001042	U506	TR-DIGITAL BCR10PN, NPN/PNP, 250m W, 10K/10K,	
2	1109-001135	U507	IC-ETC. MEMORY 1342, 128KX16BIT, CSP, 72P, -, 100NS,	
2	0801-002015	U508	IC-CMOS LOGIC 4S81, AND GATE, SOP, 5P, 63MIL, SIN	
2	1209-001219	U509	IC-SENSOR LM60C, SOT-23, 3P, 115MIL, PLASTIC	
2	1201-001421	U510	IC-IF/RF AMP RF142, TSSOP, 20P, 255MIL, -, 15DB,	
2	1201-001422	U511	IC-POWER AMP RM008, MCM, 16P, 457MIL, -, -, PALSTIC,	
2	0801-002015	U512	IC-CMOS LOGIC 4S81, AND GATE, SOP, 5P, 63MIL, SIN	
2	1103-001090	U513	IC-EEPROM 24C128, 16Kx8BIT, SOP, 8P, 150MIL,	
2	0801-002399	U514	IC-CMOS LOGIC TC7S86FU, EX-OR GATE, SSOP, 5P, 11	
2	2806-001192	U515	OSCILLATOR-VCO 902.5/1747.5MHZ, -, -, TP, 2.7 V, 50MA	
2	0504-001042	U516	TR-DIGITAL BCR10PN, NPN/PNP, 250m W, 10K/10K,	
2	1201-001462	U602	IC-AUDIO AMP 4864, MSOP, 8P, 118MIL, -, -, PLASTIC, 6 V,	
2	0504-001071	U604	TR-DIGITAL UMD9N, NPN/PNP, 150m W, 4.7, UMT6, TP	
2	1203-001515	U605	IC-BATTERY 1510, SSOP, 16P, 150MIL, PLASTIC, 3	
2	0801-002399	U606	IC-CMOS LOGIC TC7S86FU, EX-OR GATE, SSOP, 5P, 11	

Level	SEC CODE	Design LOC	DESCRIPTIONS	Remark
2	0506-001052	U607	TR-ARRAY UMH9N, NPN, 2, 150M W, SC-88, TP, 68-	
2	0506-001052	U608	TR-ARRAY UMH9N, NPN, 2, 150M W, SC-88, TP, 68-	
2	0506-001052	U609	TR-ARRAY UMH9N, NPN, 2, 150M W, SC-88, TP, 68-	
2	0407-001002	U616	DIODE-ARRAY DAN222, 80 V, 300mA, CA2-3, EM3, TP	
2	1405-001082	V401	VARISTOR 5.6 V, 20A, 1x0.5x0.6mm, TP	
2	1405-001082	V601	VARISTOR 5.6 V, 20A, 1x0.5x0.6mm, TP	
2	1405-001082	V602	VARISTOR 5.6 V, 20A, 1x0.5x0.6mm, TP	
2	1405-001082	V603	VARISTOR 5.6 V, 20A, 1x0.5x0.6mm, TP	
2	1405-001082	V604	VARISTOR 5.6 V, 20A, 1x0.5x0.6mm, TP	
2	1405-001082	V75	VARISTOR 5.6 V, 20A, 1x0.5x0.6mm, TP	
2	1405-001082	V76	VARISTOR 5.6 V, 20A, 1x0.5x0.6mm, TP	
2	1405-001082	V77	VARISTOR 5.6 V, 20A, 1x0.5x0.6mm, TP	
2	1405-001082	V78	VARISTOR 5.6 V, 20A, 1x0.5x0.6mm, TP	
2	1405-001082	V79	VARISTOR 5.6 V, 20A, 1x0.5x0.6mm, TP	
2	0404-001044	ZD402	DIODE-SCHOTTKY UPS5817, 20 V, 1A, SMD, TP	
2	0404-001044	ZD406	DIODE-SCHOTTKY UPS5817, 20 V, 1A, SMD, TP	
2	0404-000108	ZD407	DIODE-SCHOTTKY RB705D, 20 V, 30mA, SOT-23, TP	
2	0404-000108	ZD408	DIODE-SCHOTTKY RB705D, 20 V, 30mA, SOT-23, TP	
2	0406-001051	ZD605	DIODE-TVS SMS05C, 6 V, 300 W, SOT-23-6	
2	0406-001051	ZD606	DIODE-TVS SMS05C, 6 V, 300 W, SOT-23-6	
2	0404-001044	ZD608	DIODE-SCHOTTKY UPS5817, 20 V, 1A, SMD, TP	
2	0404-001044	ZD609	DIODE-SCHOTTKY UPS5817, 20 V, 1A, SMD, TP	



## 2. Exploded View and its Parts List

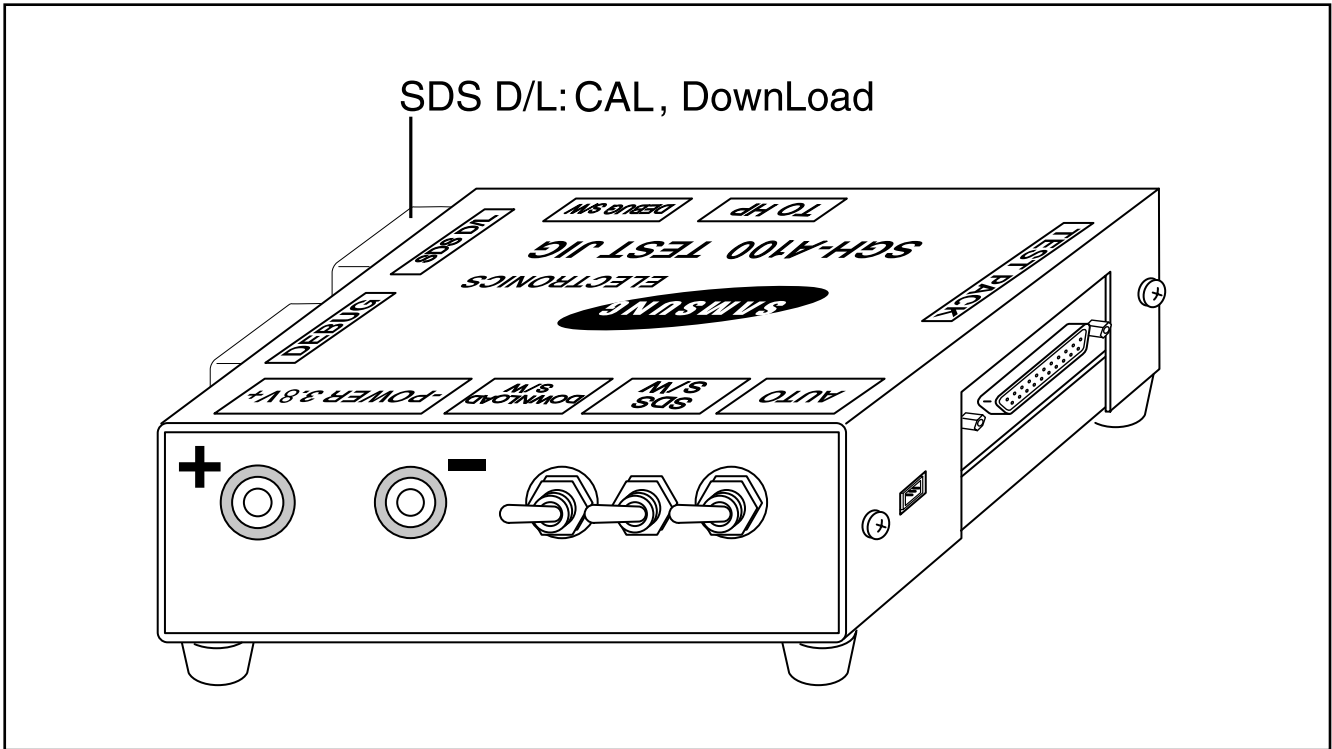
### 2-1 Cellular phone Exploded View



## 2-2 Cellular phone Parts List

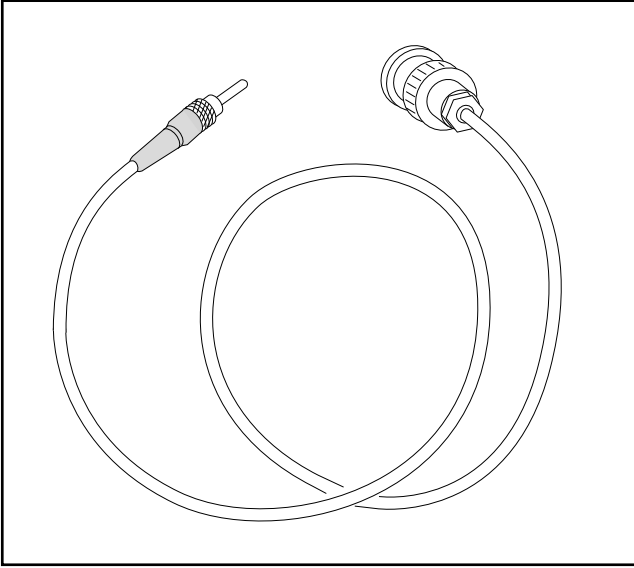
No	Description	SEC.CODE			Remark
		Silver	Gold	Black	
1	SCREW-MACHINE	6001-000876	6001-000876	6001-000876	
2	FOLDER-UPPER	GH72-00507B	GH72-00507A	GH72-00507C	
3	DISPLAY-LCD	GH96-00808A	GH96-00808A	GH96-00808A	
4	MOTOR	GH31-00003A	GH31-00003A	GH31-00003A	
5	SPEAKER	3001-001126	3001-001126	3001-001126	
6	WINDOW-LCD	GH72-00515A	GH72-00515A	GH72-00515B	
7	FOLDER LOWER	GH72-00508B	GH72-00508A	GH72-00508C	
8	FRONT CASE	GH72-00505B	GH72-00505A	GH72-00505C	
9	VOLUME KEY	GH72-00510B	GH72-00510A	GH72-00510C	
10	KEY PAD-RUBBER	GH73-00156A	GH73-00156A	GH73-00156A	
11	KEY PAD BORD	GH59-00018A	GH59-00018A	GH59-00018A	
12	SHIELD-COVER	GH72-00511A	GH72-00511A	GH72-00511A	
13	MAIN-BORD	GH92-00724A	GH92-00724A	GH92-00724A	
14	ANTENNA BUSHING	GH71-00076A	GH71-00076A	GH71-00076A	
15	ANTENNA	GH42-00042B	GH42-00042A	GH42-00042C	
16	REAR-COVER	GH75-00320B	GH75-00320A	GH75-00320C	
16-1	EAR-JACK	GH73-00157A	GH73-00157A	GH73-00157B	
17	SCREW-MACHINE	6001-001148	6001-001148	6001-001148	
18	BATTERY	GH43-00200A	GH43-00199A	GH43-00218A	Slim
		GH43-00156A	GH43-00155A	GH43-00217A	Standard

**2-3 Test Jig** (GH80-00161A)

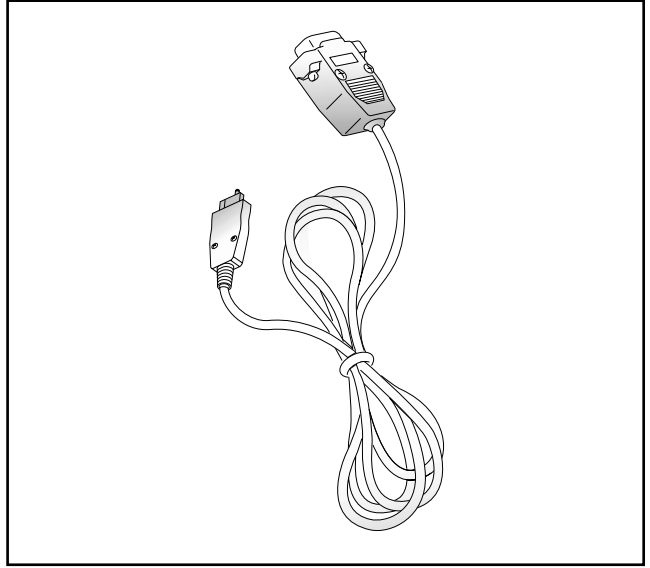


	SWITCH					
MODE	AUTO	SDS S/W	DOWNLOAD S/W	DEBUG S/W	SDS D/L	DEBUG
D/L	HIGH	LOW	HIGH	LOW	CONNECT	N.C
CAL	HIGH	LOW	LOW	HIGH	CONNECT	N.C

**2-4 RF Cable** (GH39-00002A)

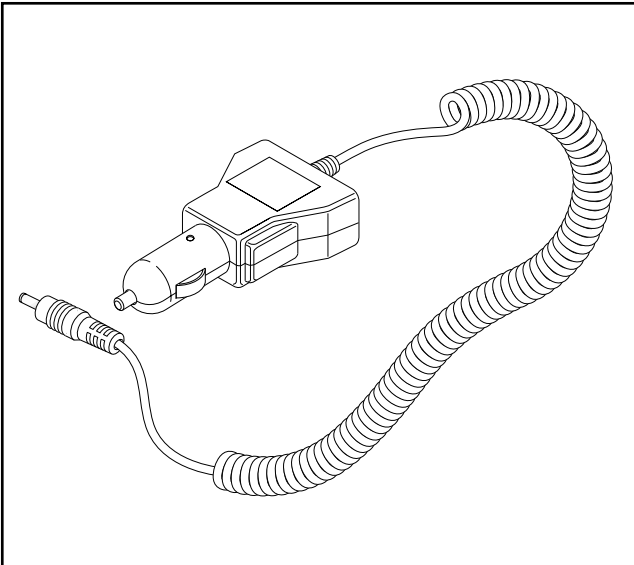


**2-5 Test Cable** (GH39-00042A)

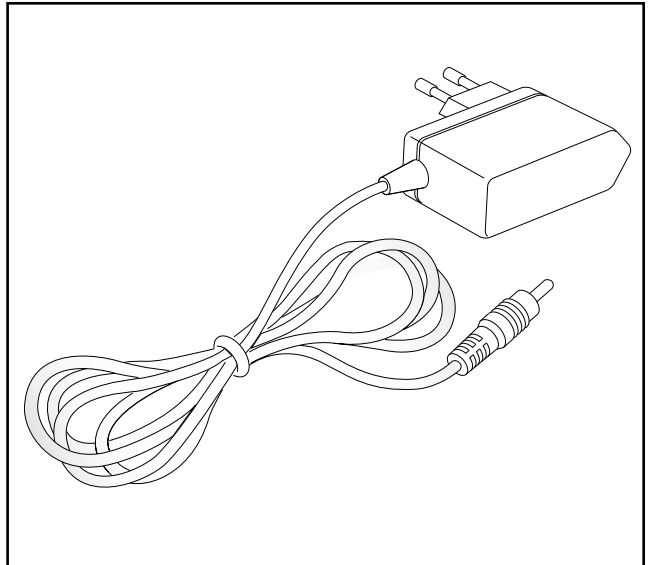


**2-6 Cigarette Lighter Adaptor**

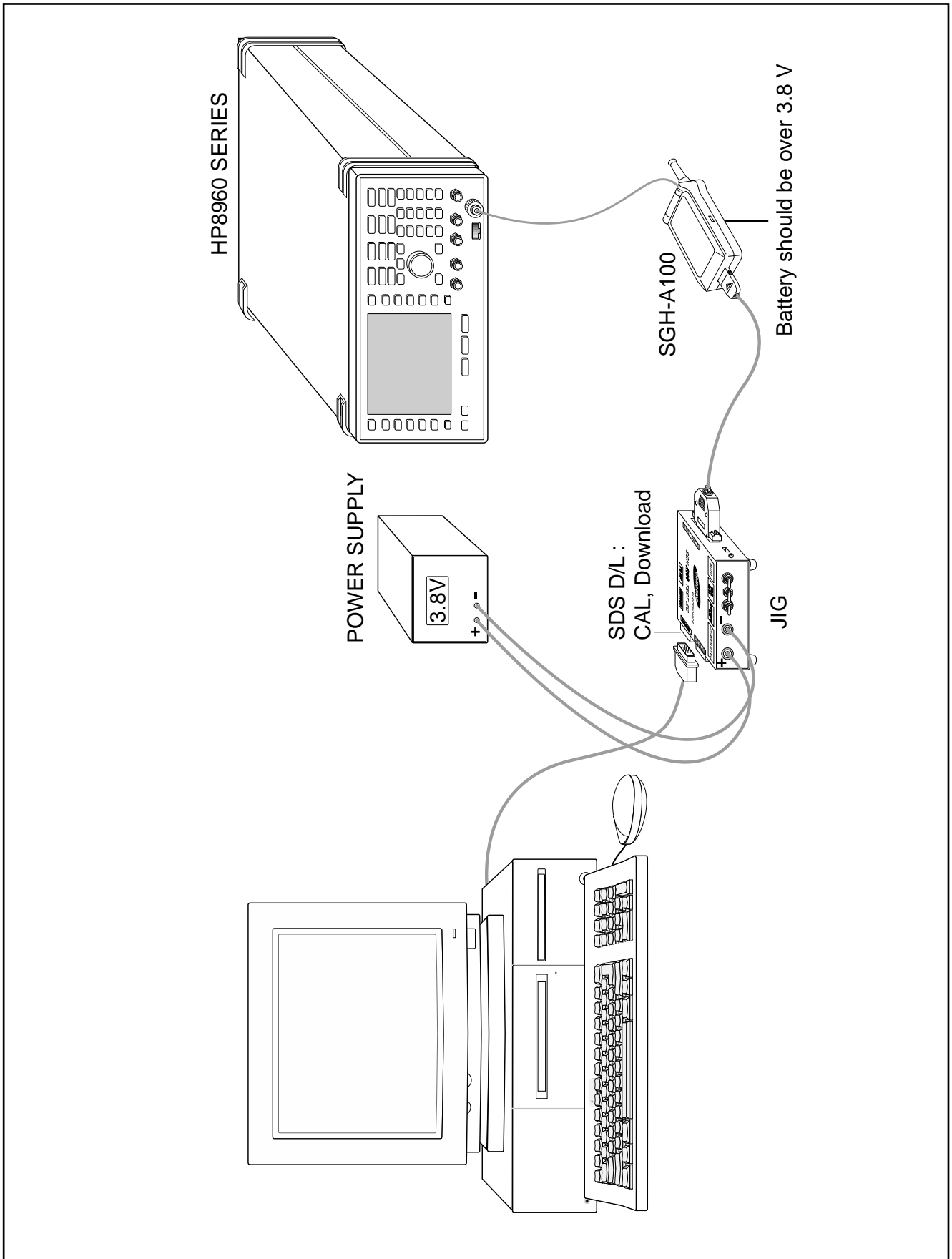
(GH44-00112A)



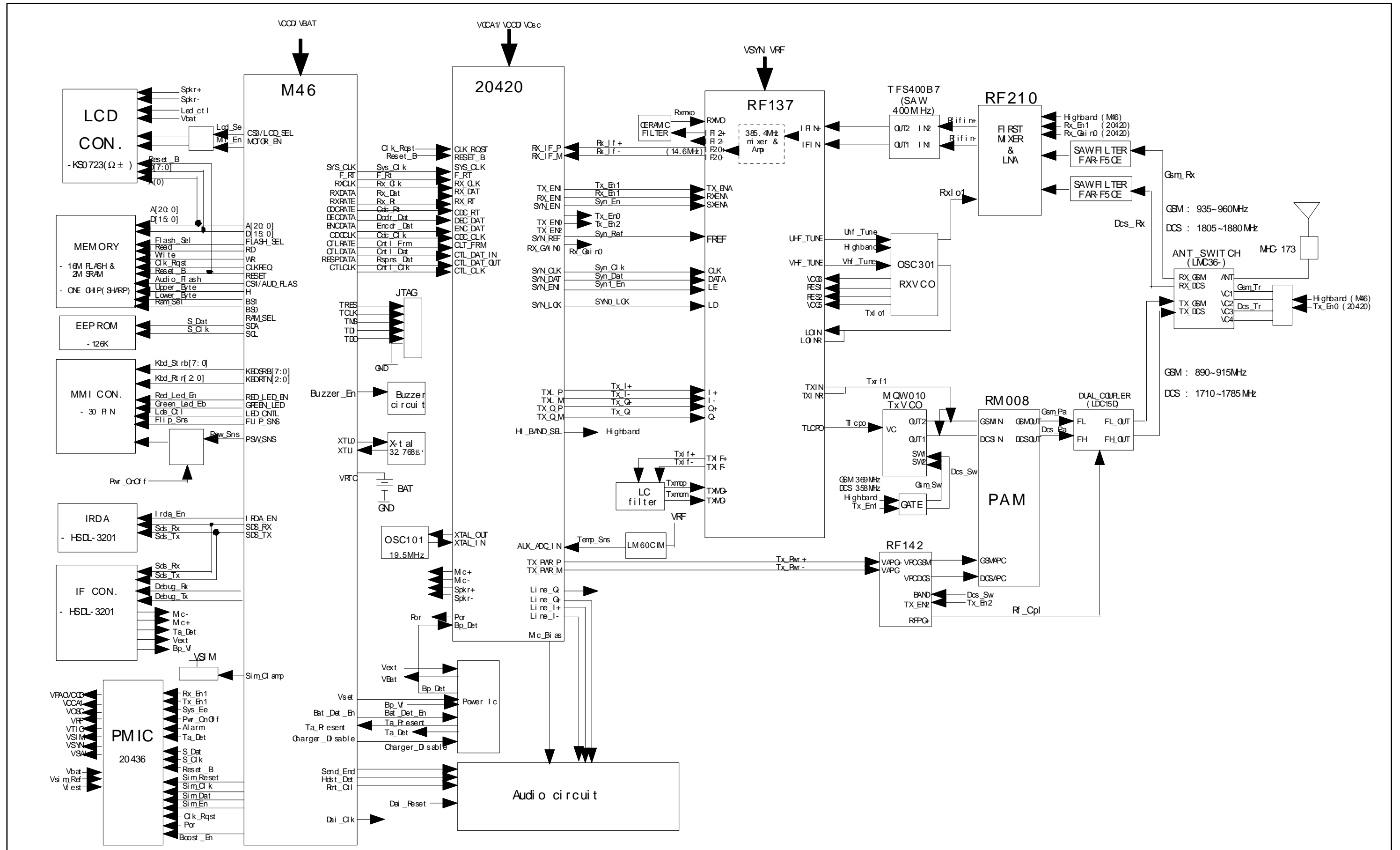
**2-7 Travel Adaptor** (GH44-00103A)



## 2-8 Test Connection Method

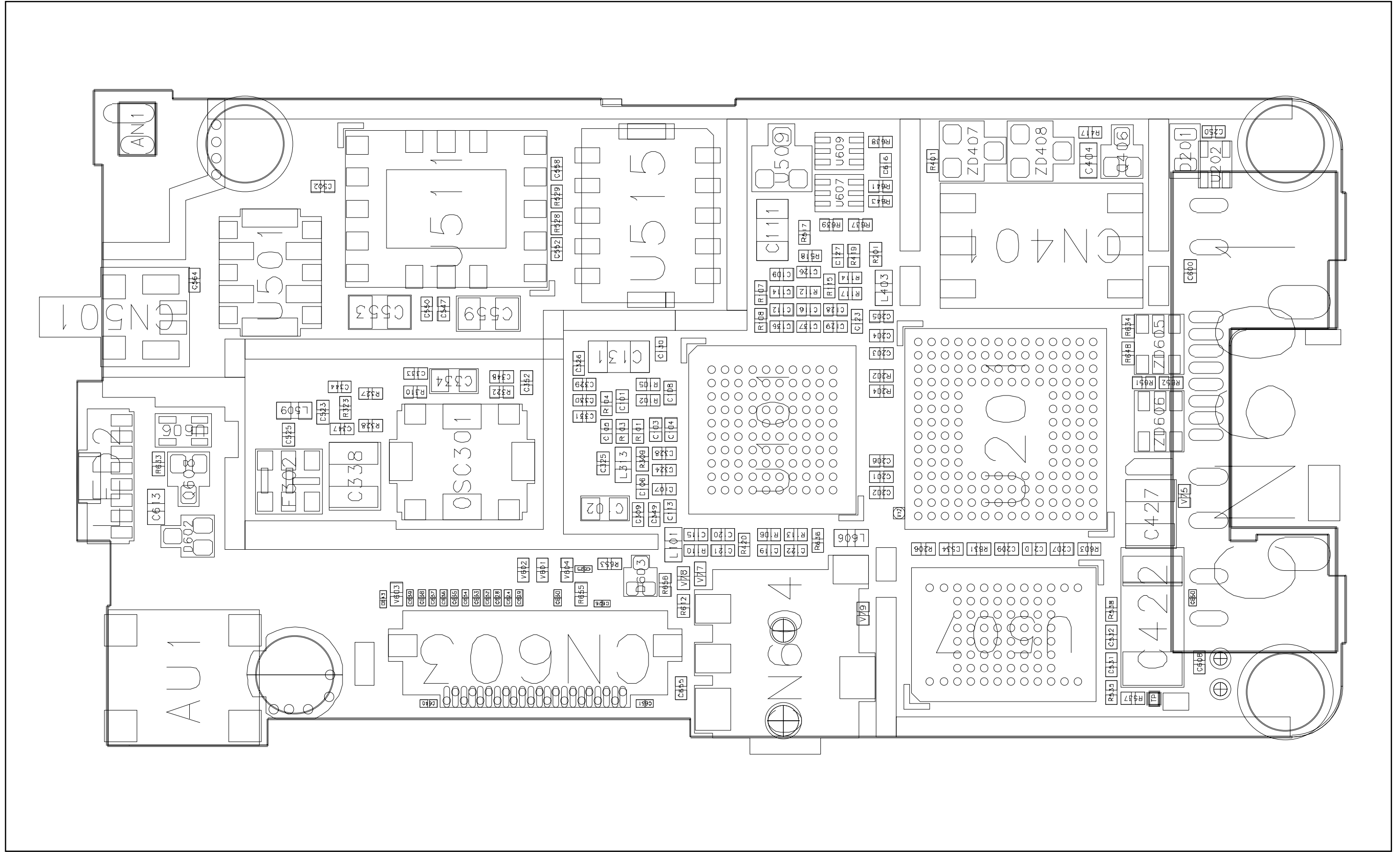


### 3. Block Diagrams

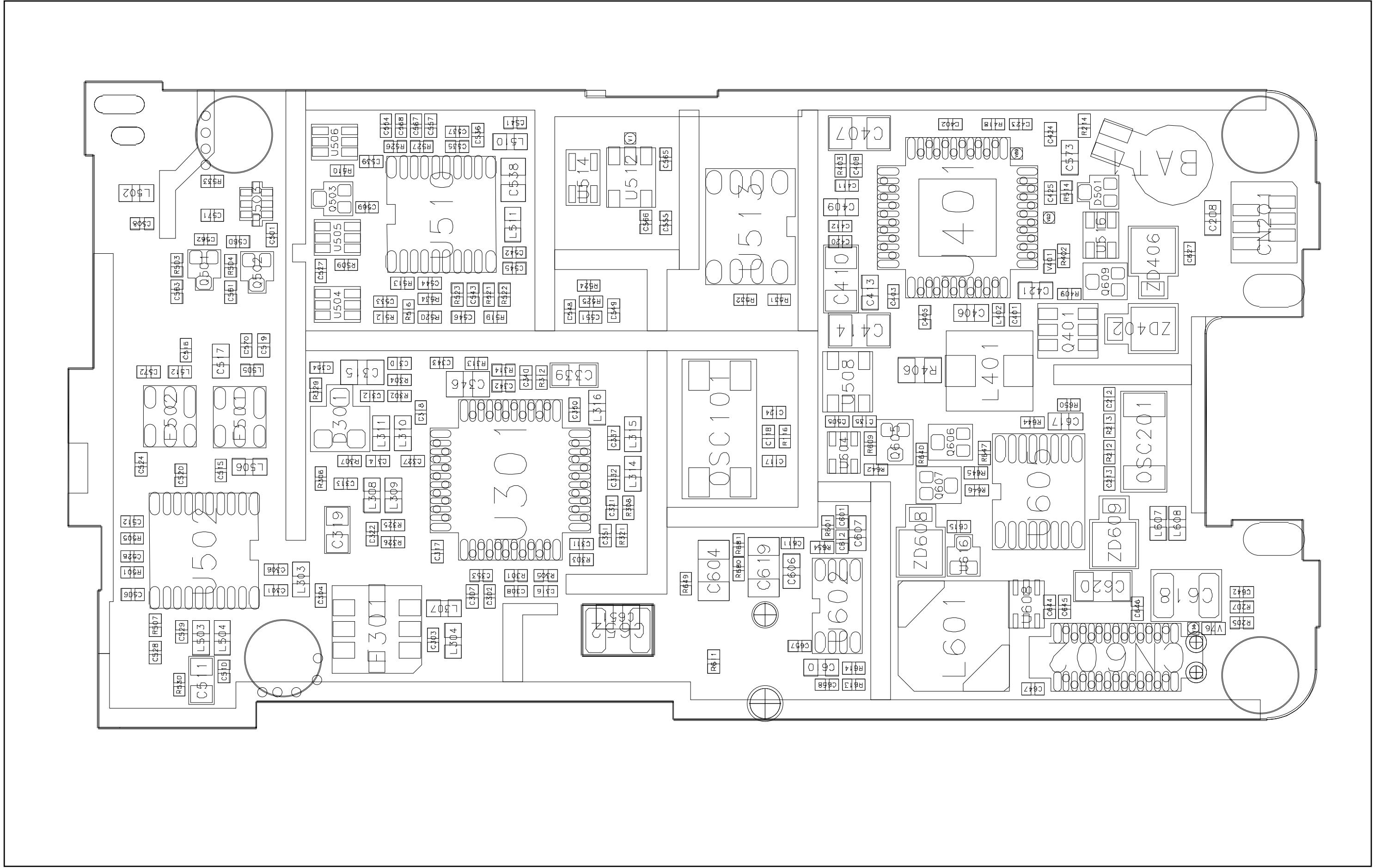


# 4. PCB Diagrams

## 4-1 Main PCB Top Diagram



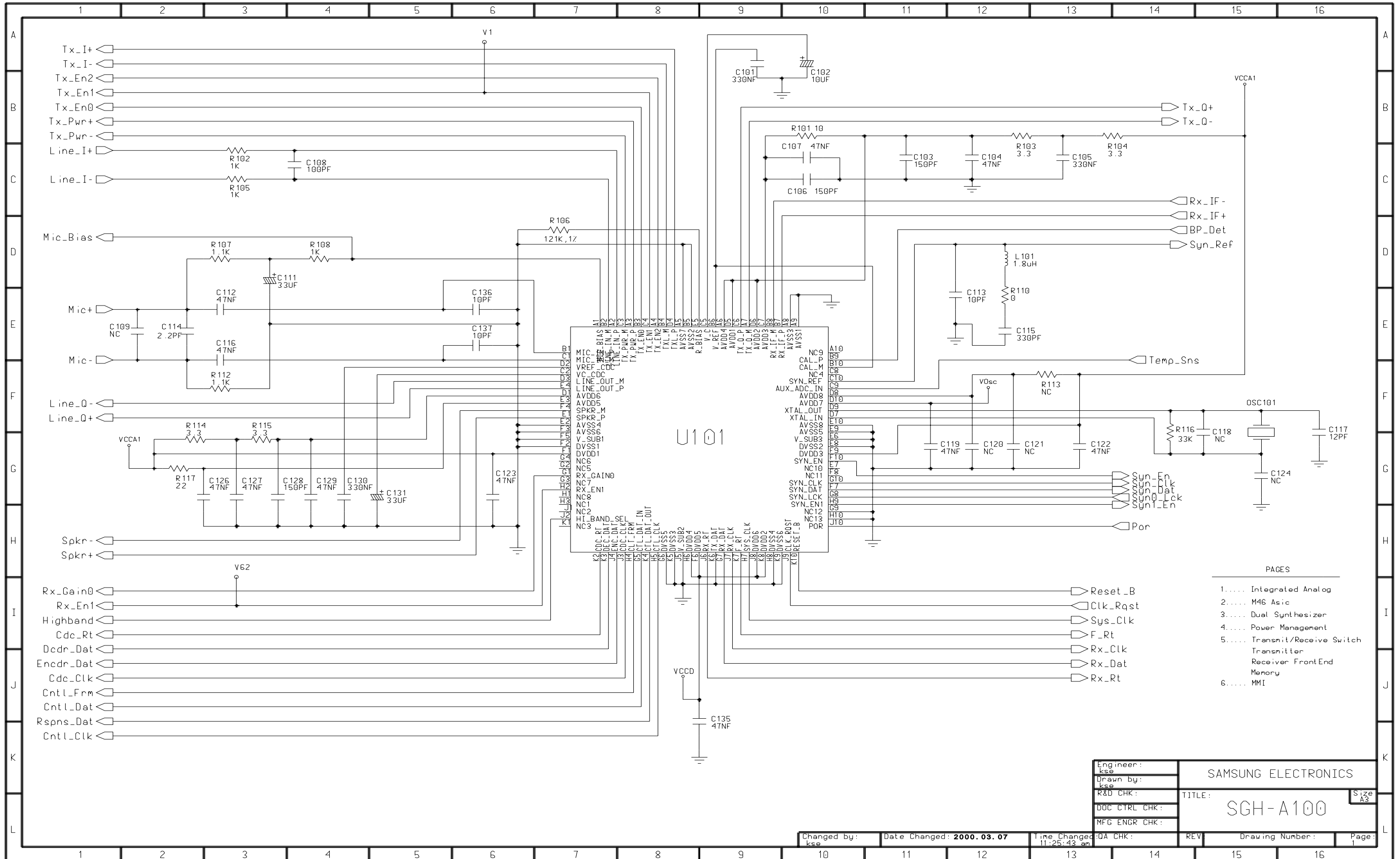
4-2 Main PCB Bottom Diagram





# 5. Circuit Diagrams

## 5-1 Integrated Analog Circuit Diagram



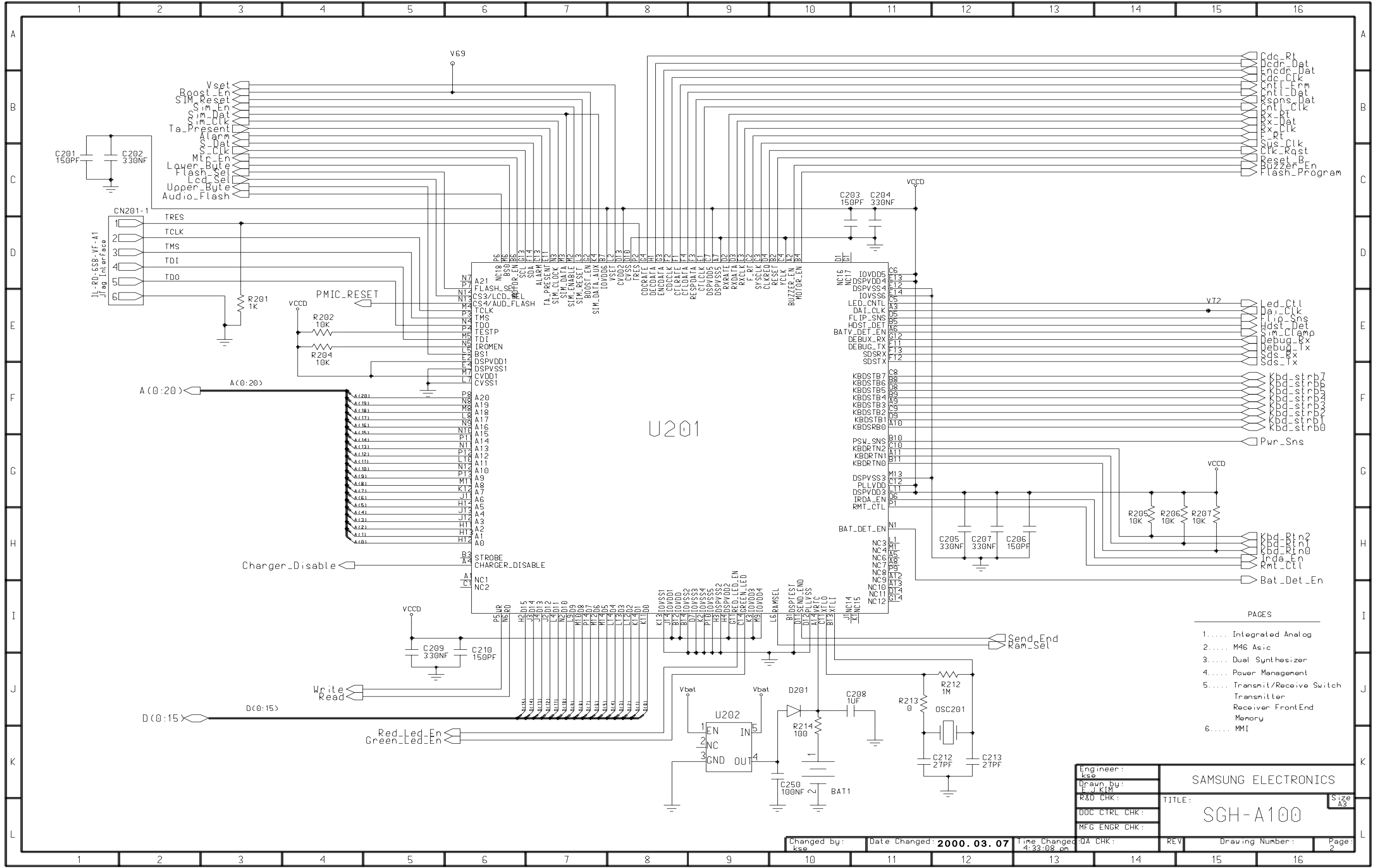
PAGES

1.....	Integrated Analog
2.....	M46 Asic
3.....	Dual Synthesizer
4.....	Power Management
5.....	Transmit/Receive Switch Transmitter Receiver FrontEnd Memory
6.....	MMI

Engineer: kse	SAMSUNG ELECTRONICS
Drawn by: kse	
R&D CHK:	
DOC CTRL CHK:	
MFG ENGR CHK:	
TITLE: SGH-A100	
REV	Drawing Number:

Changed by: kse	Date Changed: 2000.03.07	Time Changed: 11:25:43 am	DA CHK:	REV	Drawing Number:	Page: 1
--------------------	--------------------------	------------------------------	---------	-----	-----------------	------------

### 5-2 M46 Asic Circuit Diagram



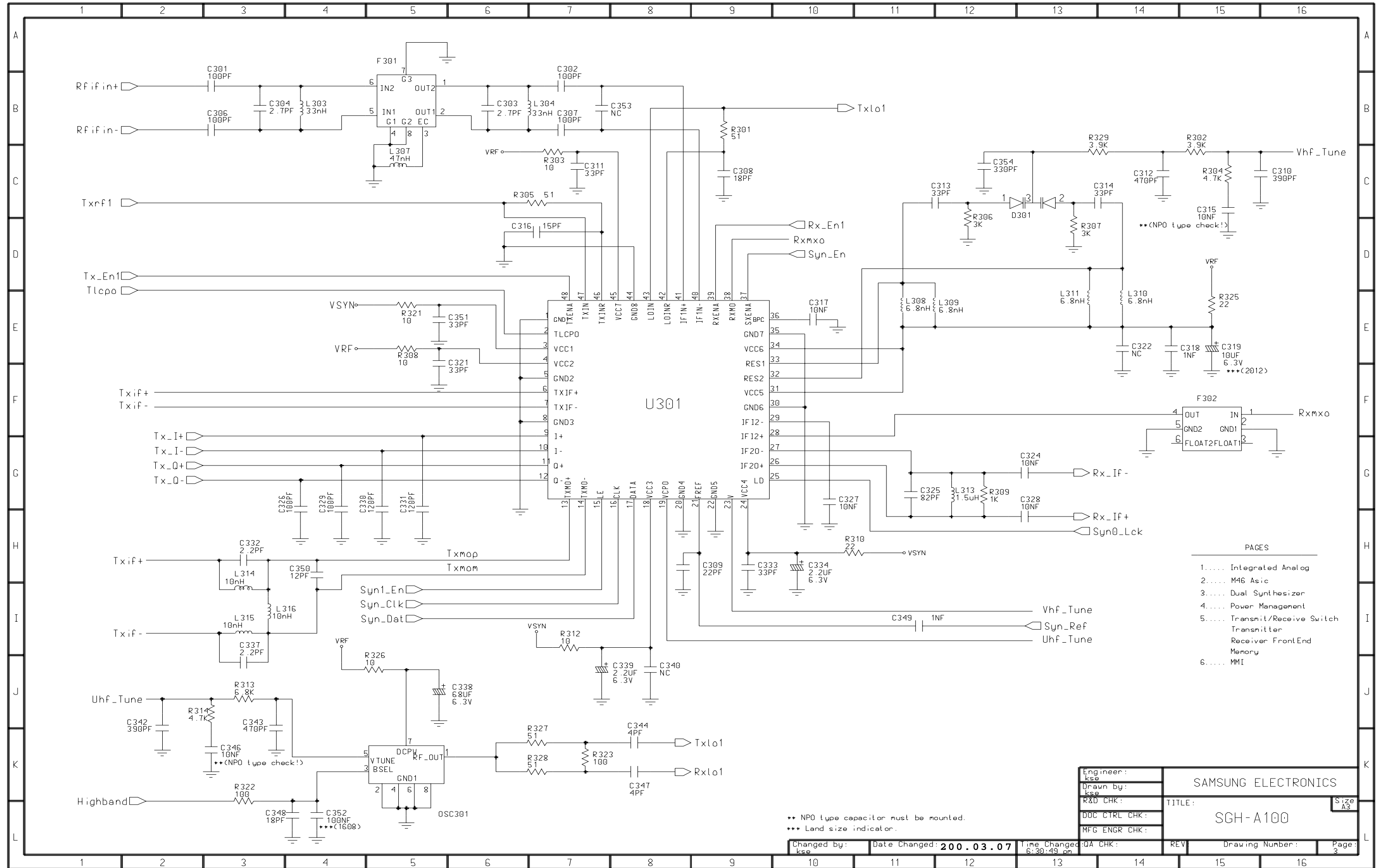
PAGES

- 1..... Integrated Analog
- 2..... M46 Asic
- 3..... Dual Synthesizer
- 4..... Power Management
- 5..... Transmit/Receive Switch Transmitter Receiver FrontEnd Memory
- 6..... MMI

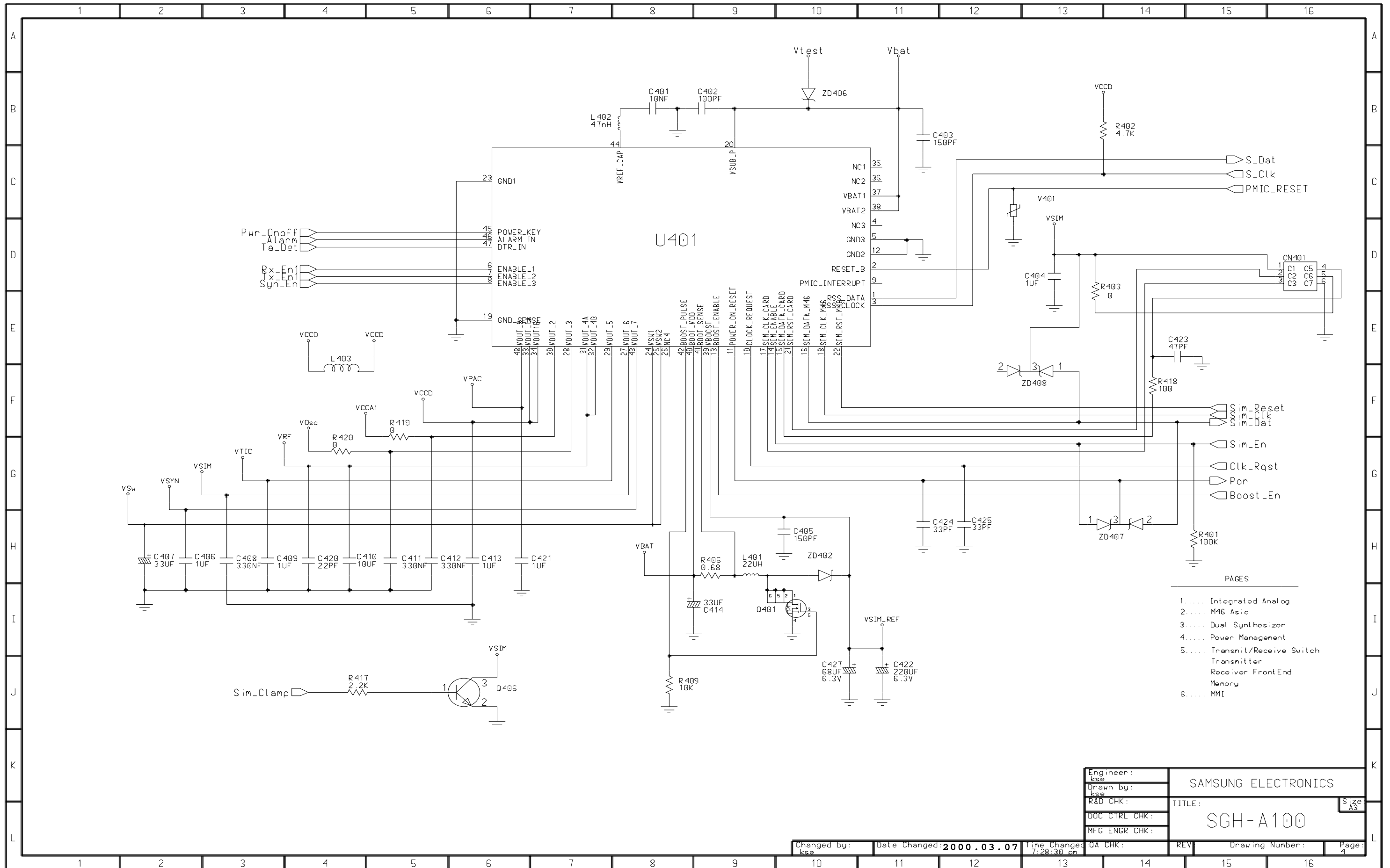
Engineer : ksp	SAMSUNG ELECTRONICS
Drawn by : E.J.KIM	
R&D CHK :	
DOC CTRL CHK :	
MFG ENGR CHK :	
TITLE : SGH-A100	

Changed by : ksp	Date Changed : 2000.03.07	Time Changed : 4:33:08 pm	QA CHK :	REV :	Drawing Number :	Page : 2
------------------	---------------------------	---------------------------	----------	-------	------------------	----------

### 5-3 Dual Synthesizer Circuit Diagram



### 5-4 Power Management Circuit Diagram



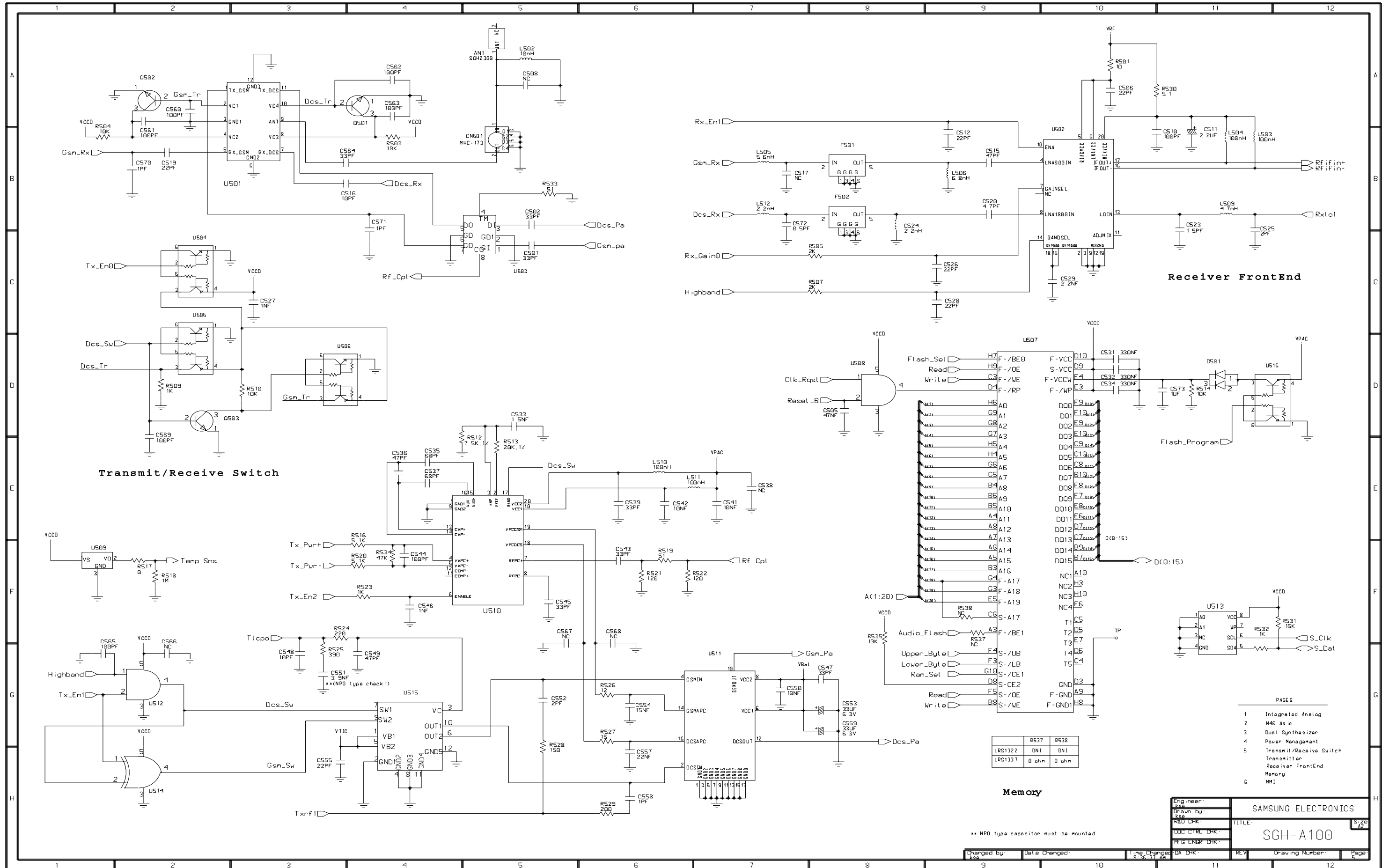
PAGES

1.....	Integrated Analog
2.....	M46 Asic
3.....	Dual Synthesizer
4.....	Power Management
5.....	Transmit/Receive Switch Transmitter Receiver FrontEnd Memory
6.....	MMI

Engineer: kso	SAMSUNG ELECTRONICS	Size A3
Drawn by: kso		
R&D CHK:	TITLE:	SGH-A100
DOC CTRL CHK:		
MFG ENGR CHK:		

Changed by: kso	Date Changed: 2000.03.07	Time Changed: 7:28:30 am	QA CHK:	REV	Drawing Number:	Page: 4
--------------------	-----------------------------	-----------------------------	---------	-----	-----------------	------------

# 5-5 Transmit/Receive Switch, Transmitter, Receiver FrontEnd, Memory Circuit Diagram



### 5-6 MMI Circuit Diagram

