

SAMSUNG

CDMA TELEPHONE
SCH-X359

SERVICE *Manual*

CDMA TELEPHONE



CONTENTS

1. Specification
2. Flow Chart of Troubleshooting
3. Exploded Views and Parts List
4. Electrical Parts List
5. Block Diagrams
6. PCB Diagrams



ELECTRONICS

This Service Manual is a property of Samsung Electronics Co.,Ltd.
Any unauthorized use of Manual can be punished under applicable
International and/or domestic law.

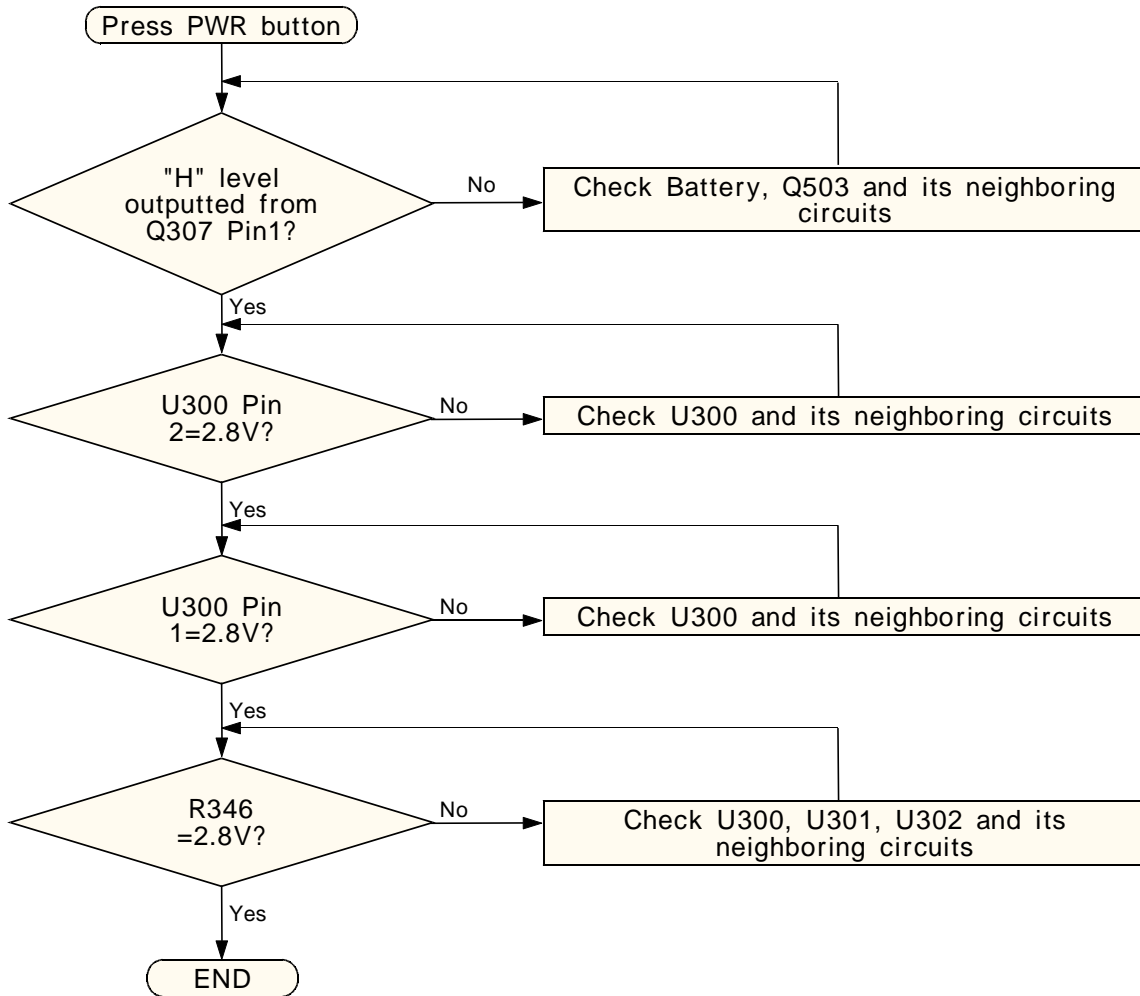
Samsung Electronics Co.,Ltd. AUG. 2003
Printed in Korea.

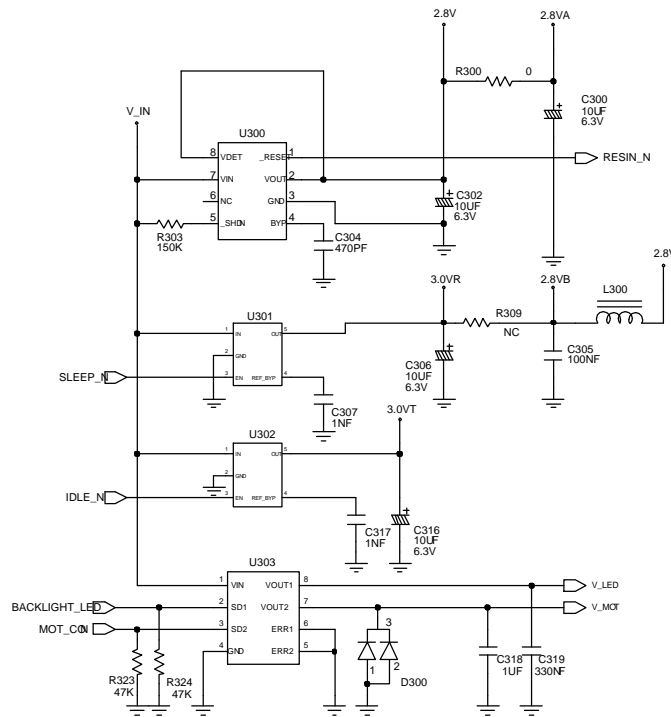
Code No.: GH68-04299A
BASIC.

2. SCH-X359 Trouble Shooting

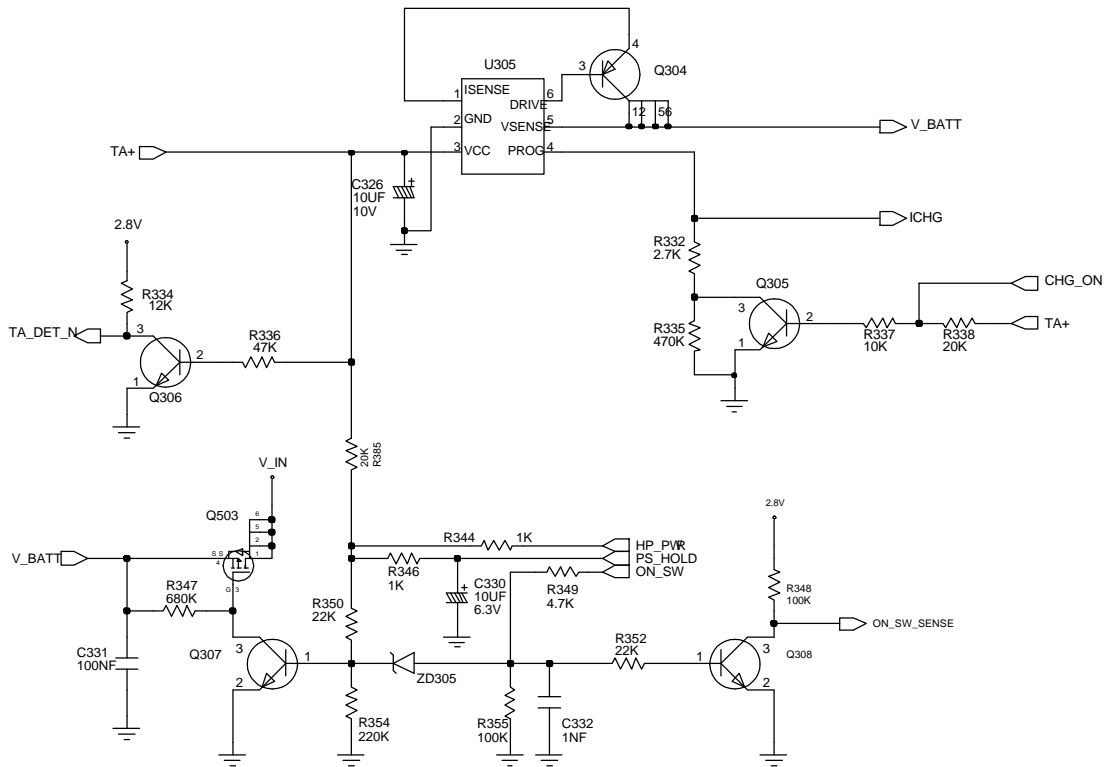
1. Logic Section

1-1. No Power



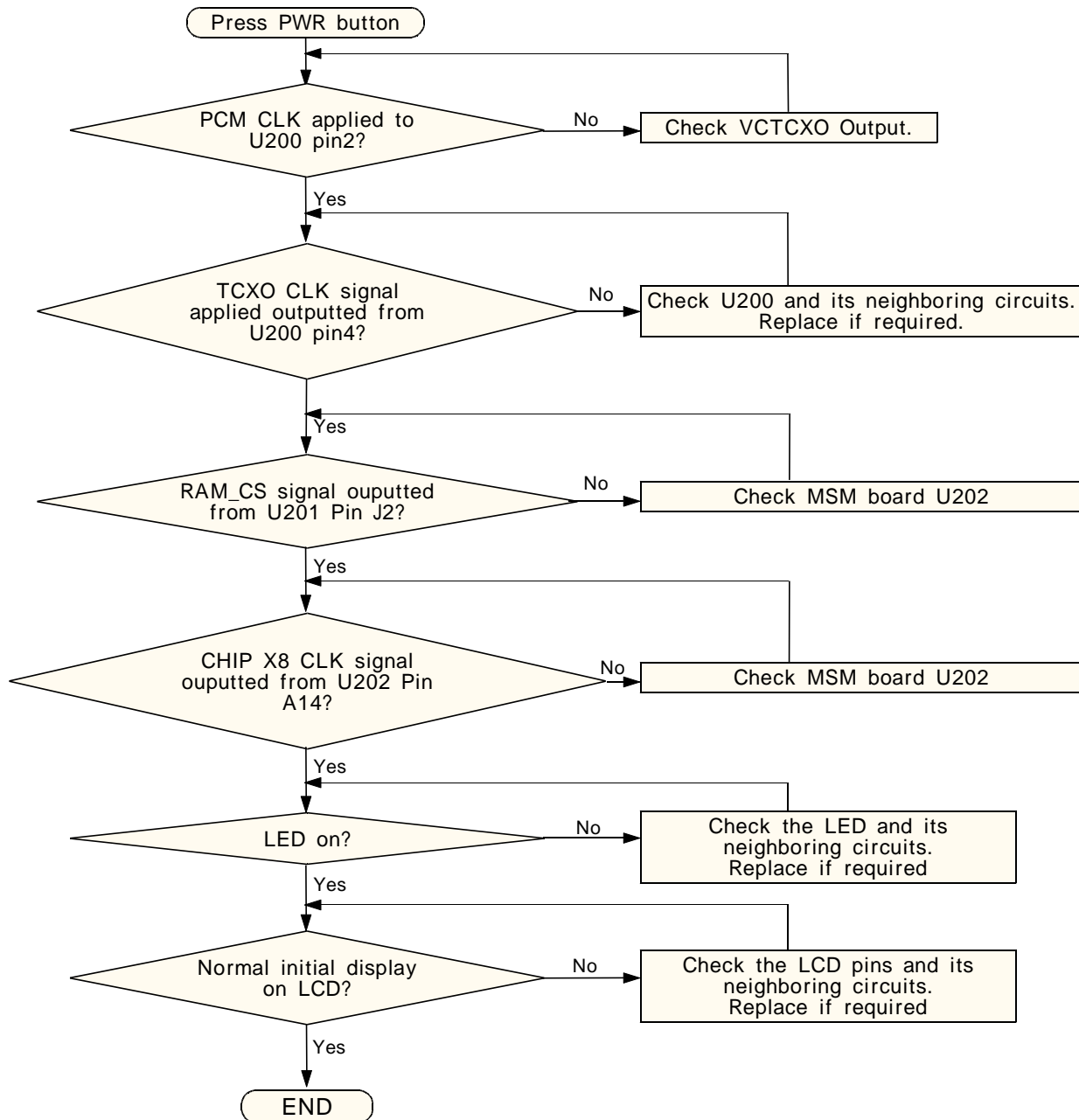


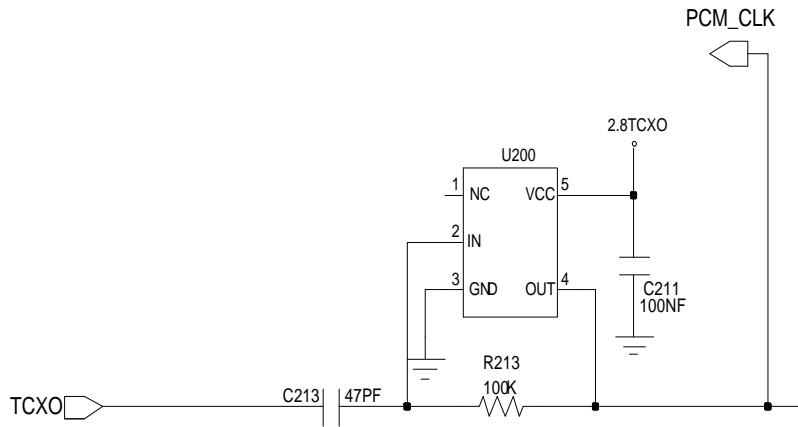
(Picture 1)



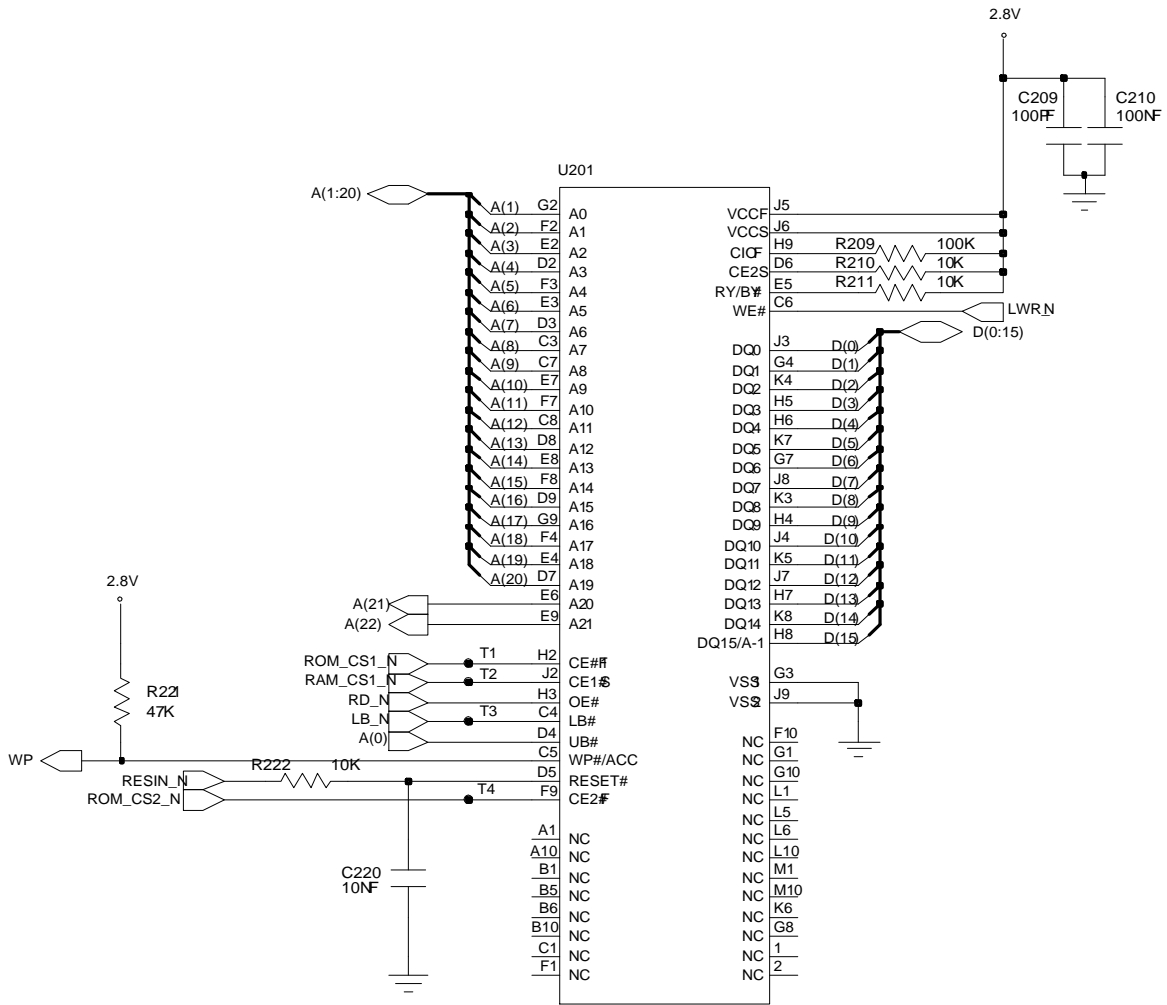
(Picture 2)

1-2. Abnormal initial operation (Normal +2.8V voltage source)



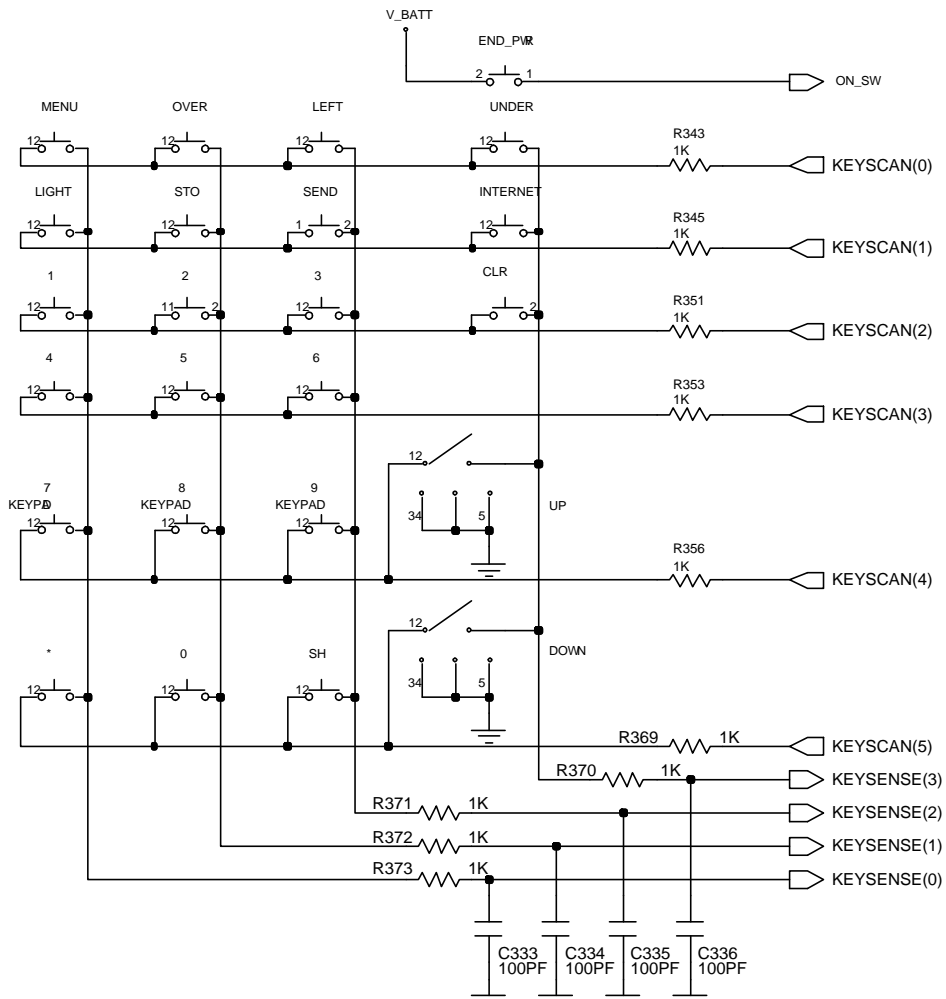
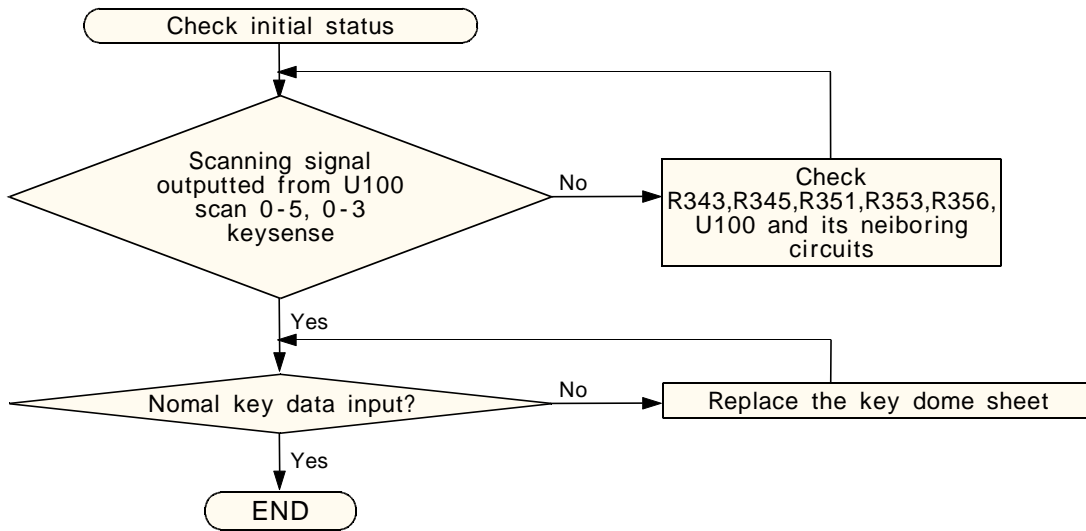


(Picture 1)

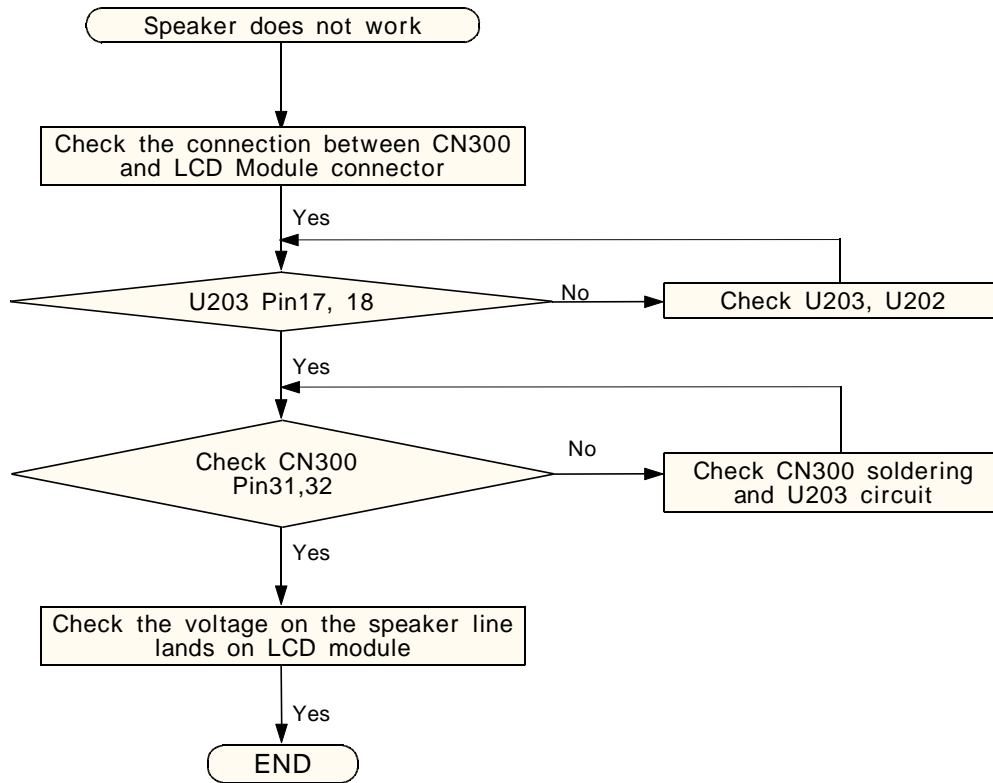


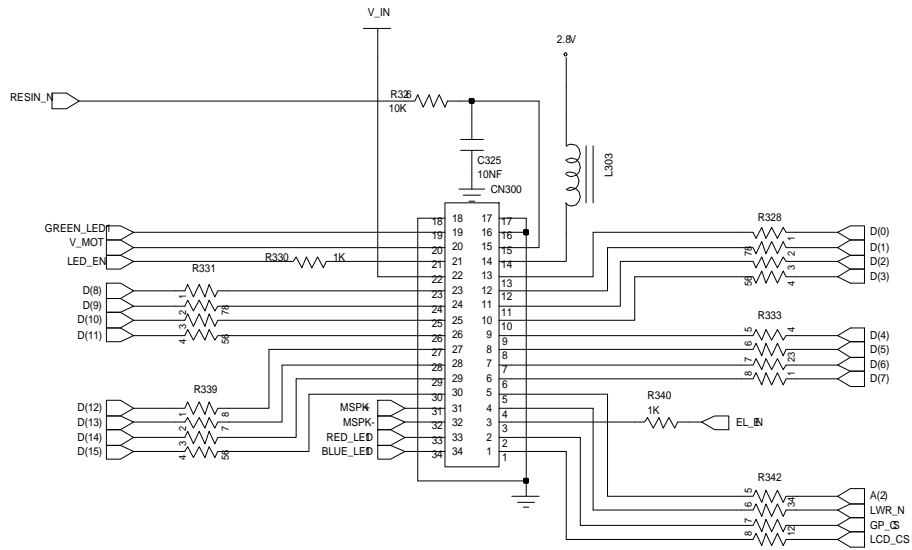
(Picture 2)

1-3. Abnormal Key Data Input

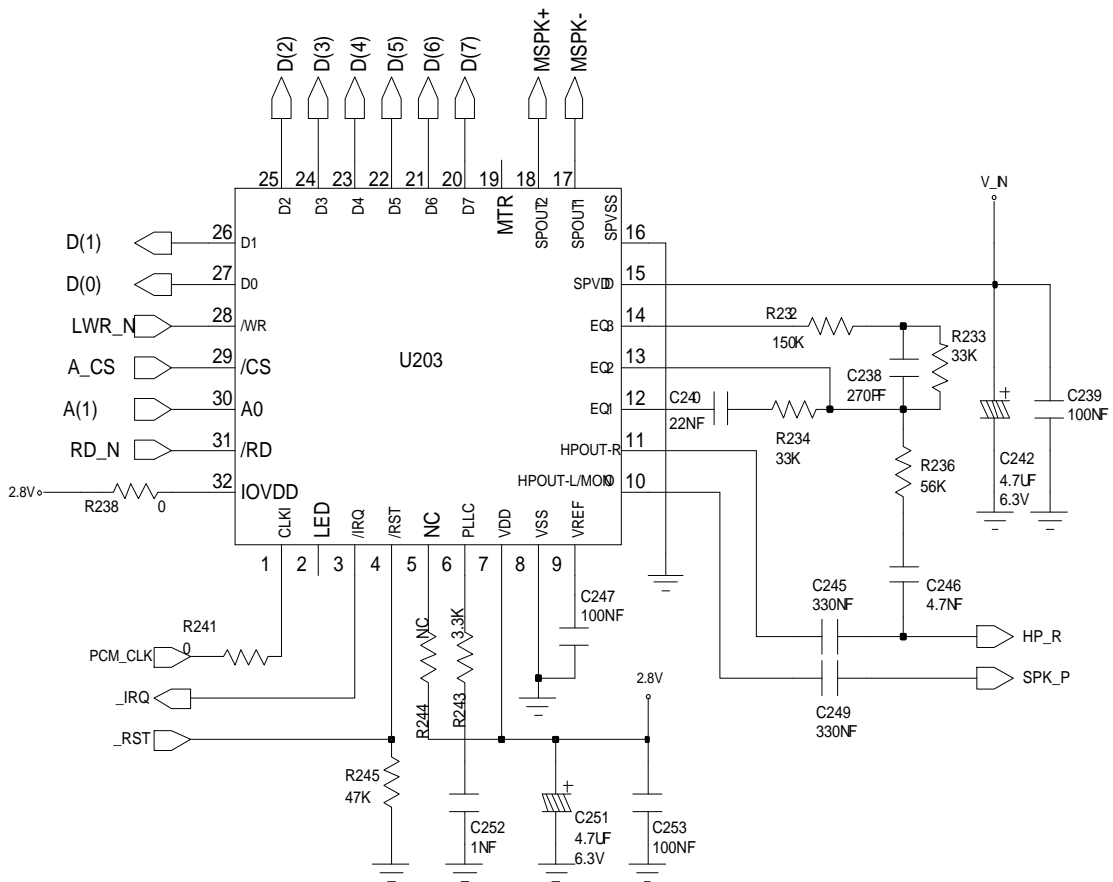


1-4. Audio



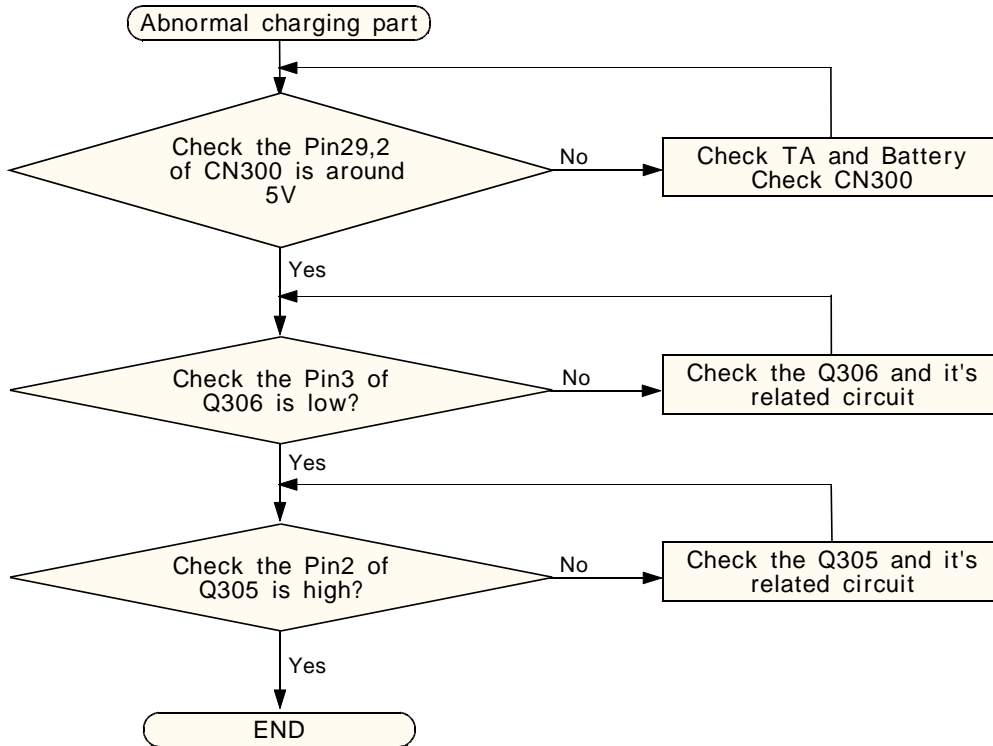


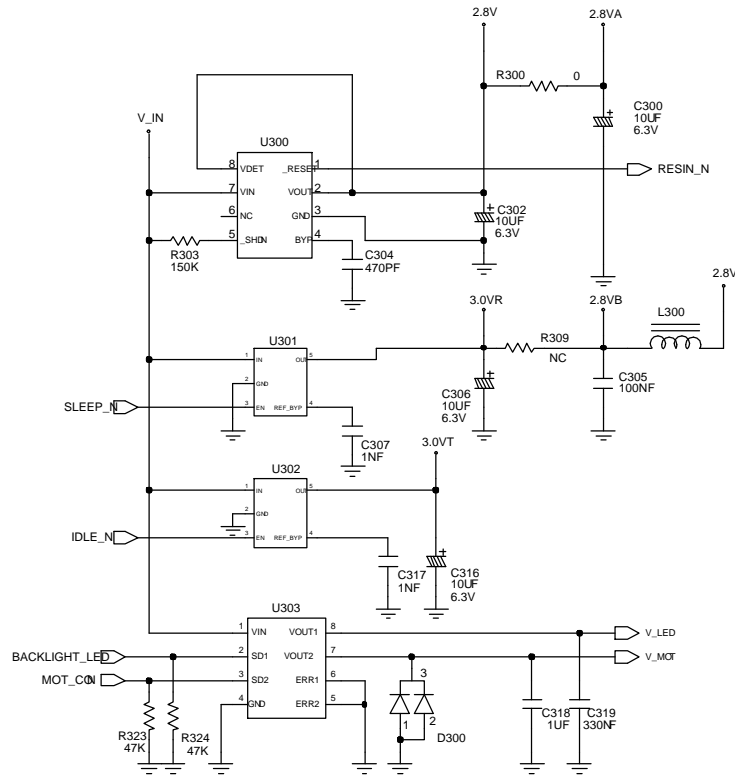
(Picture 1)



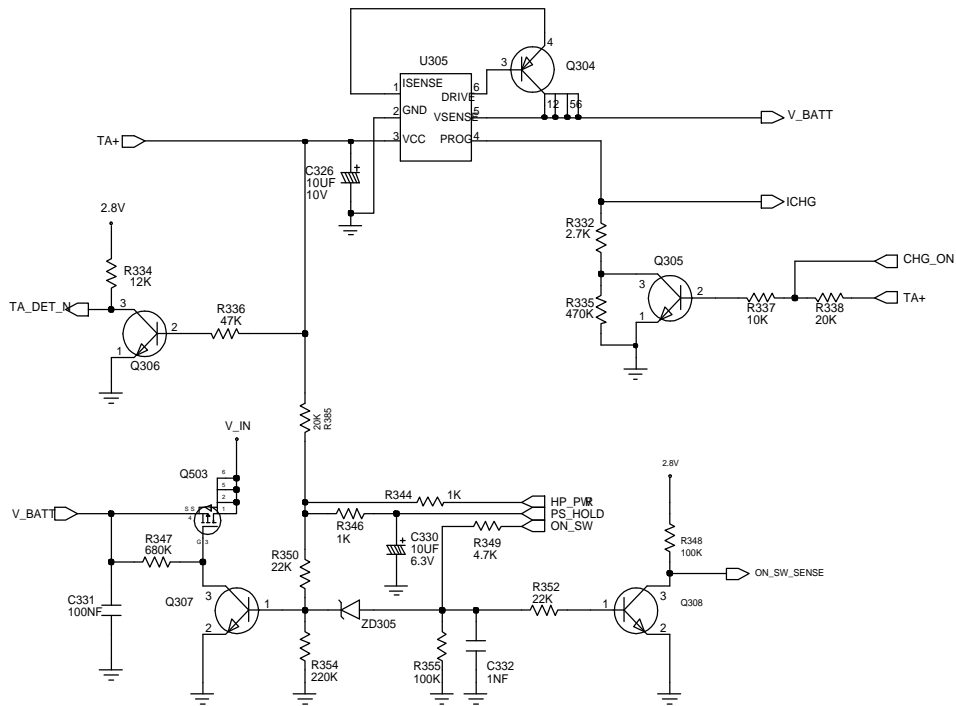
(Picture 2)

1-5. Charging



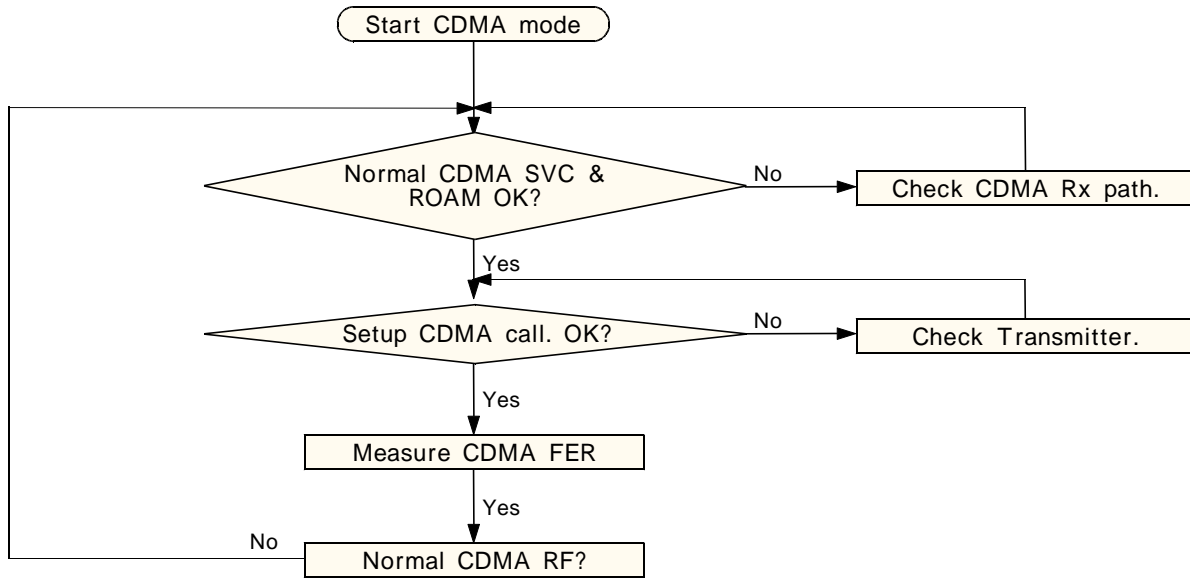


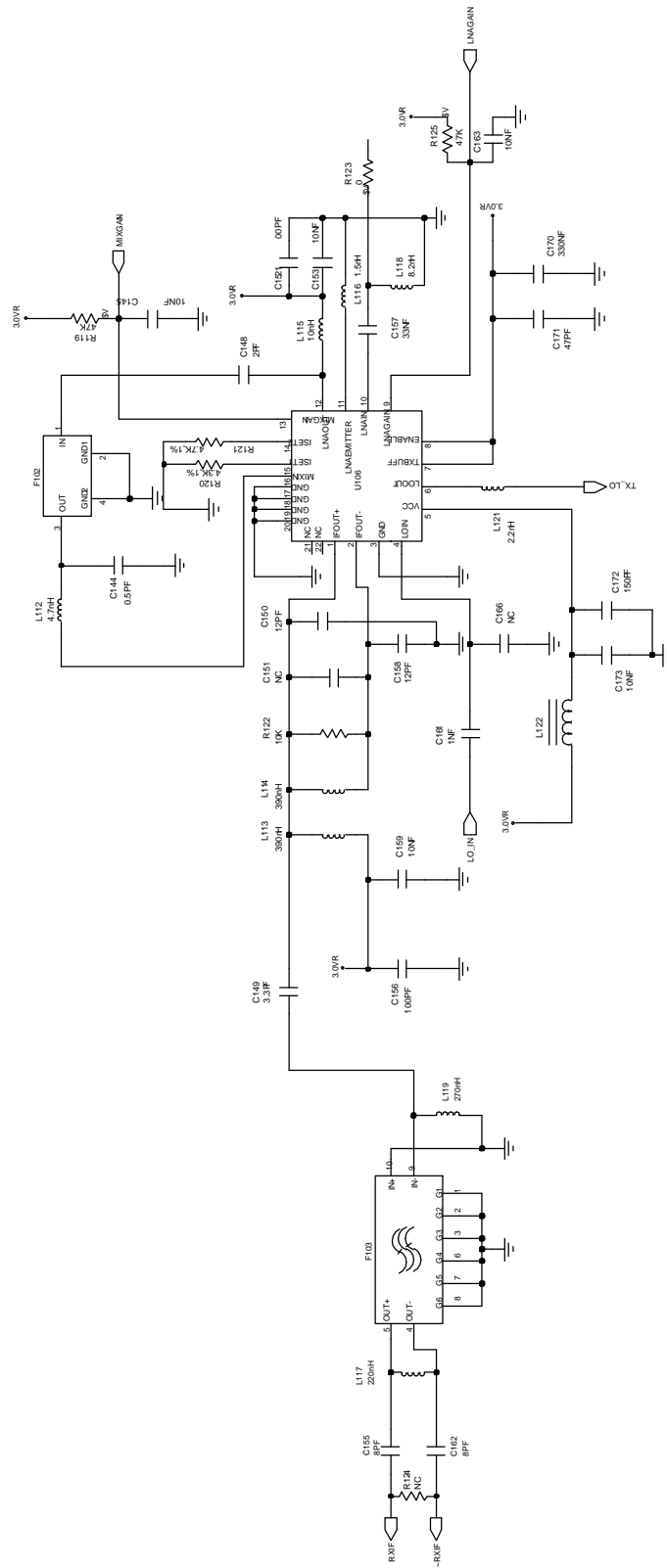
(Picture 1)



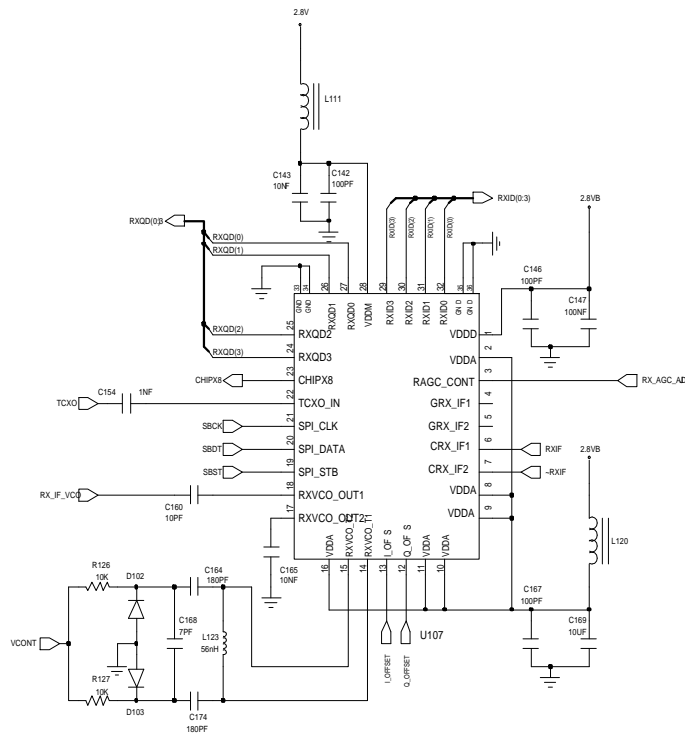
(Picture 2)

2. Receiver Section

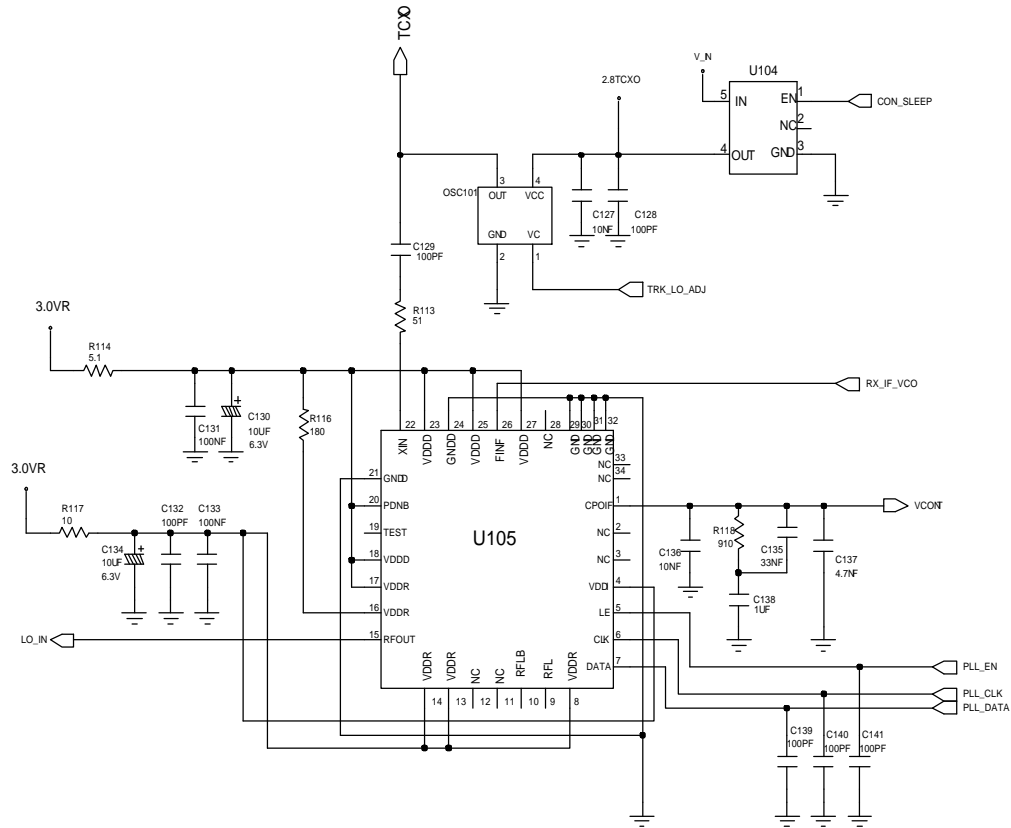




(Picture 1)

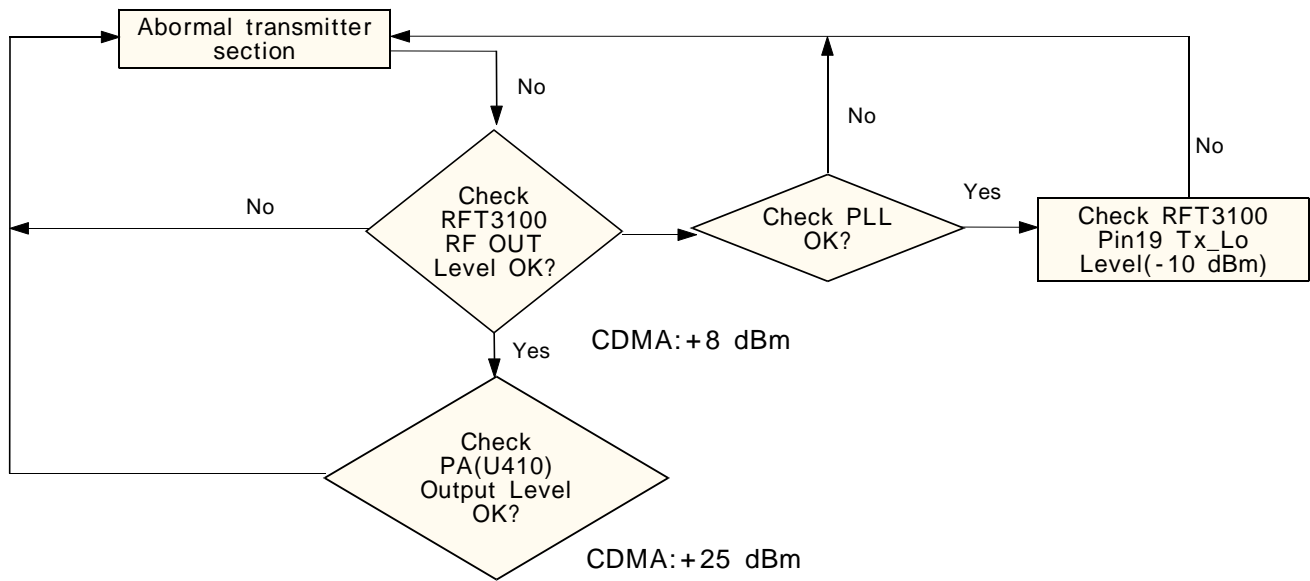


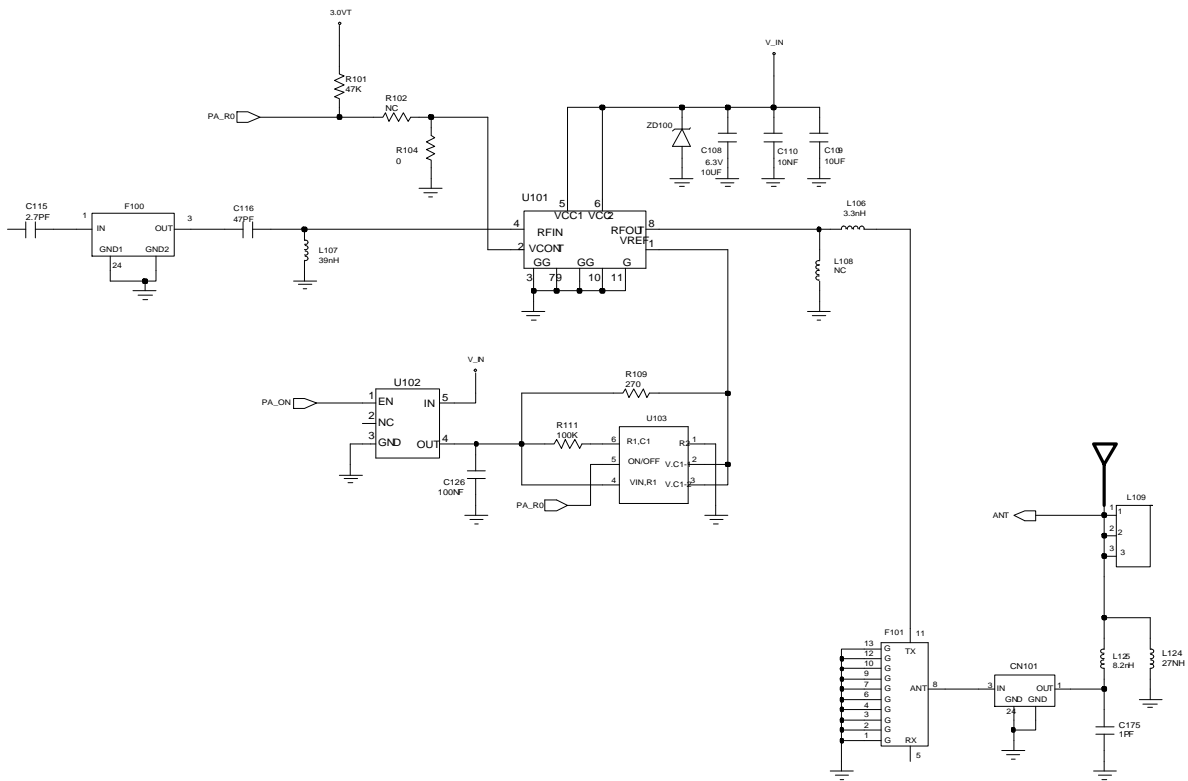
(Picture 2)



(Picture 3)

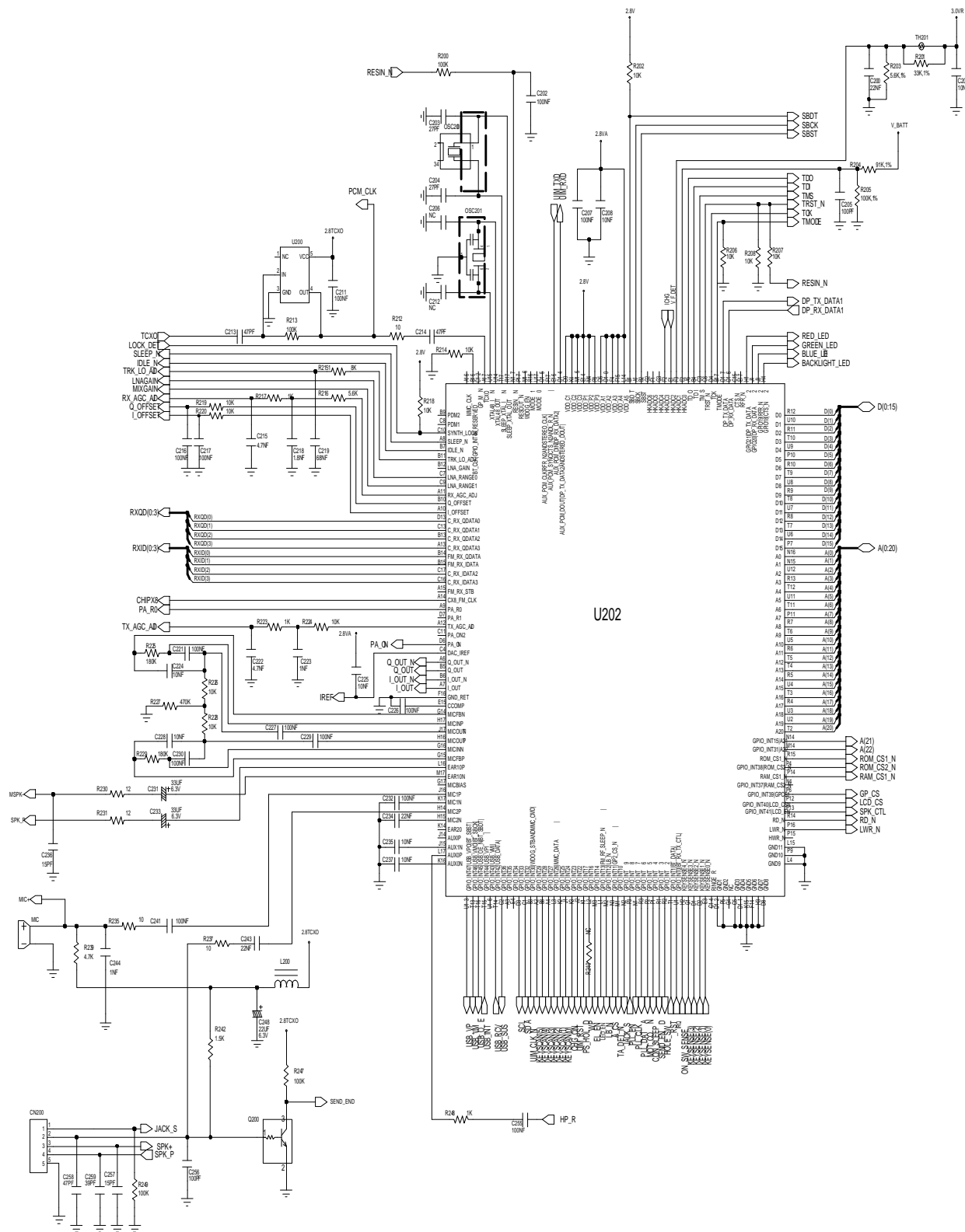
3. Transmitter Section





(Picture 2)

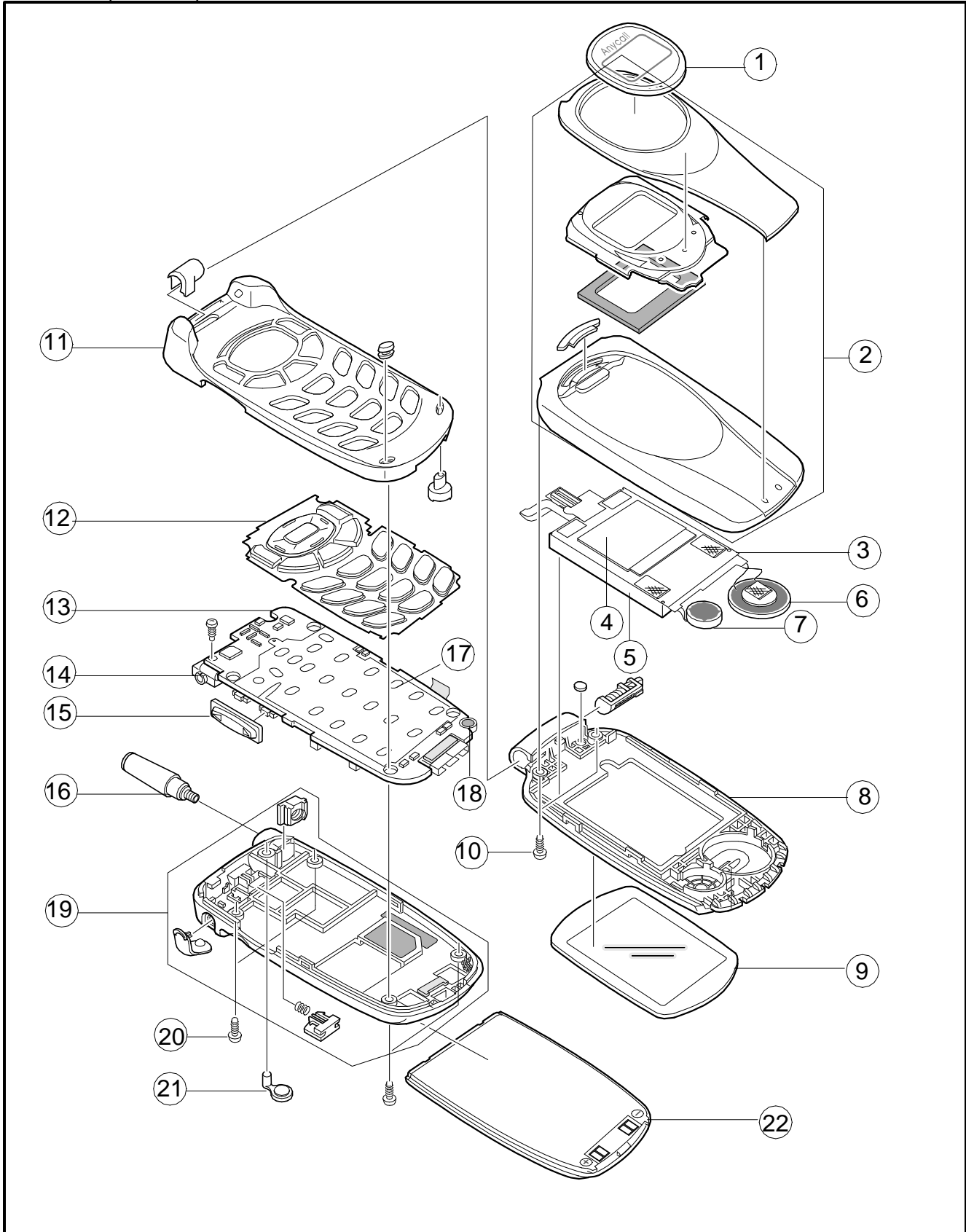
SCH-X359 Flow Chart of Troubleshooting and Circuit Diagrams



(Picture3)

3. SCH-X359 Exploded View and its Parts list

1. Cellular phone Exploded View



2. Cellular phone Parts list

NO	Description	SEC.CODE	Remak
1	DUAL WINDOW LCD	GH72 - 07862A	
2	FOLDER UPPER	GH75 - 03075B	
3	LCD	GH07 - 00349A	
4	LCD(S)	GH07 - 00231B	
5	LCD(M)	GH07 - 00231A	
6	SPEAKER	3001 - 001341	
7	MOTOR	3101 - 001315	
8	FOLDER LOWER	GH75 - 03076B	
9	WINDOW LCD	GH72 - 07866A	
10	SCREW	6001 - 001155	
11	FRONT COVER	GH75 - 03074B	
12	KEYPAD	GH75 - 03078A	
13	MAIN PBA	GH92 - 01494A	
14	EAR JACK FPCB	GH59 - 00546A	
15	VOLUME KEY	GH75 - 02677A	
16	ANTENNA	GH42 - 00302A	
17	DOME SHEET	GH59 - 00937A	
18	MIC	GH30 - 00036A	
19	REAR COVER	GH75 - 03077B	
20	SCREW	6001 - 001530	
21	RF COVER	GH73 - 01535A	
22	BATTERY	GH43 - 00917A	600MAH
		GH43 - 00918A	800MAH

3. Test Jig (GH80-00865A)



3-1. RF Test Cable
(GH39-00090A)



3-2. Test Cable
(GH39-00052A)



3-3. Serial Cable



3-4. Power Supply Cable



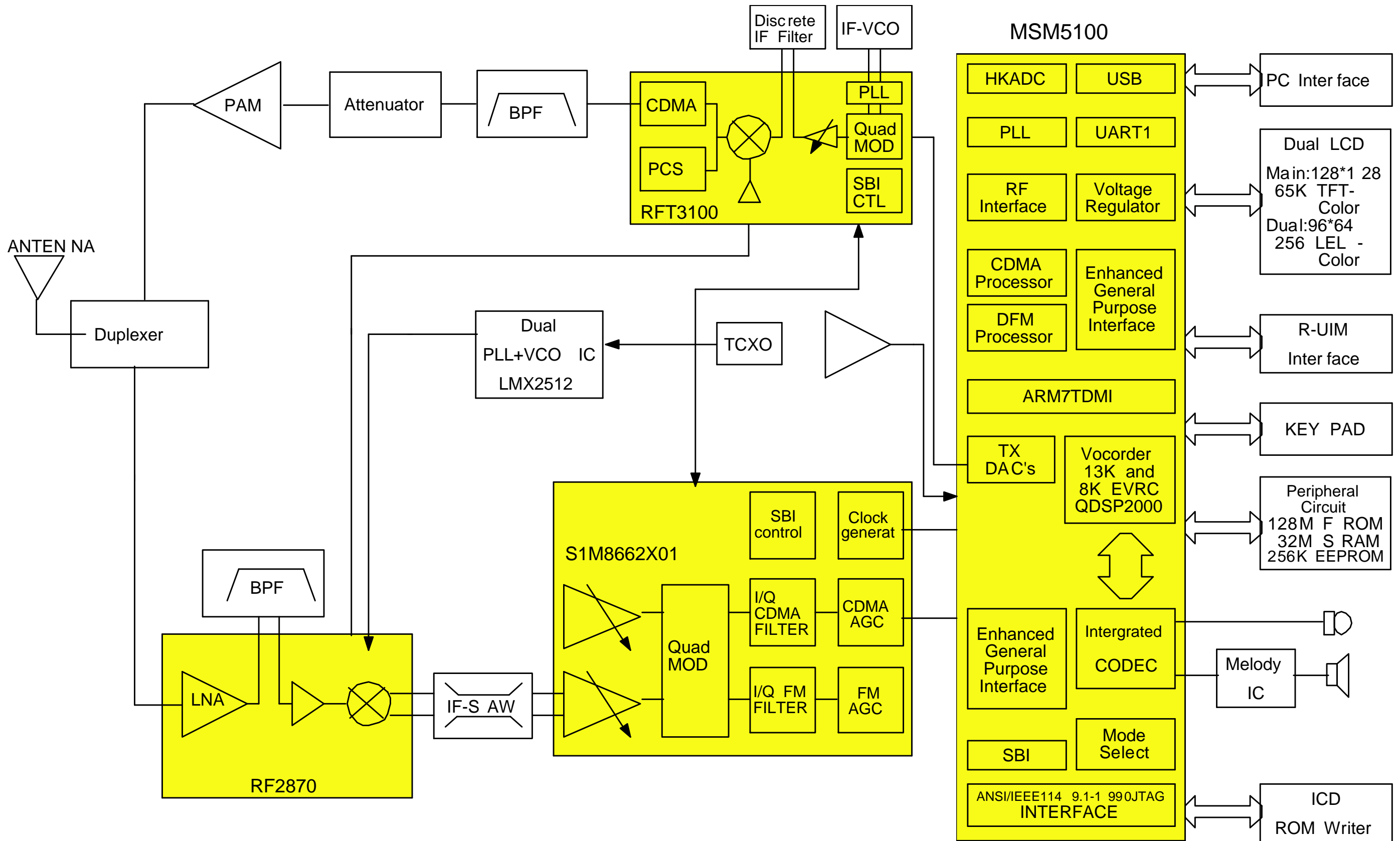
3-5. DATA CABLE
(GH39-00159A)



3-6. TA
(GH44-001844A)

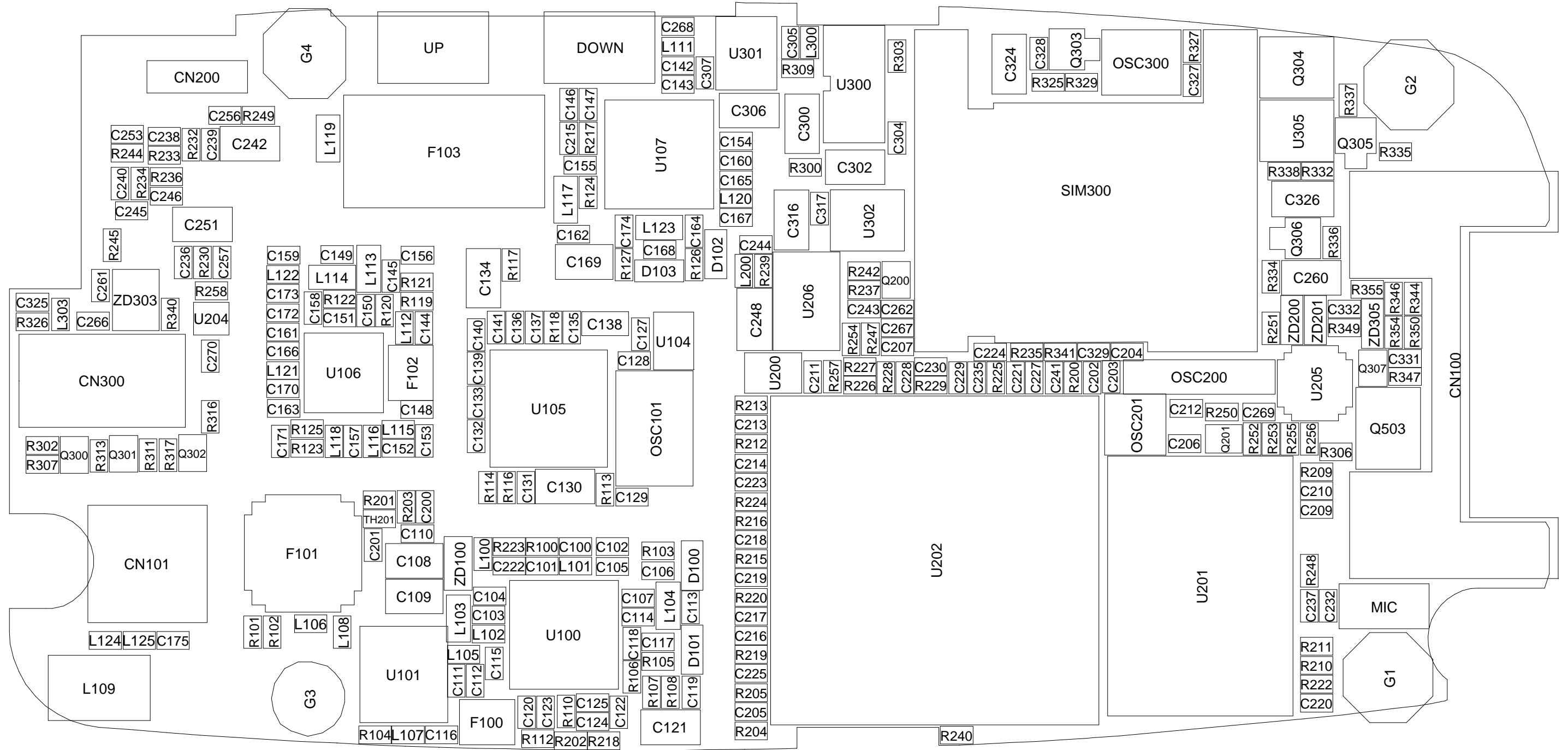
5. SCH-X359 Block Diagrams

1. RF Solution Block Diagram



6. SCH-X359 PCB Diagrams

1. Main PCB Top Diagram



2. Main PCB Bottom Diagram

