



PORTABLE CELLULAR TELEPHONE

SCH-N191

SERVICE Manual

PORTABLE CELLULAR TELEPHONE



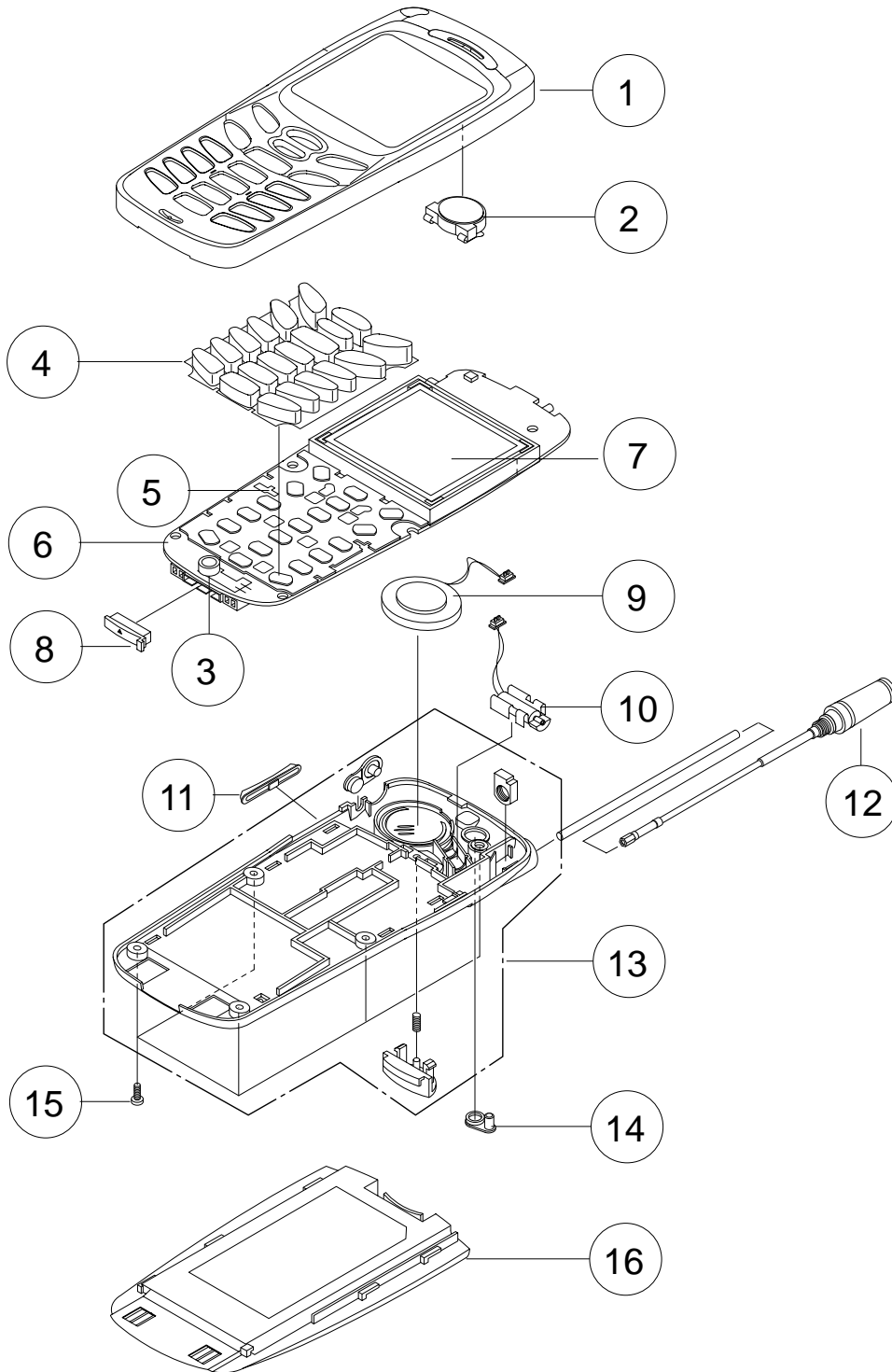
CONTENTS

1. Exploded Views and Parts List
2. Electrical Parts List
3. Block Diagram
4. PCB Diagrams
5. Circuit Diagrams



1. Exploded View and Parts List

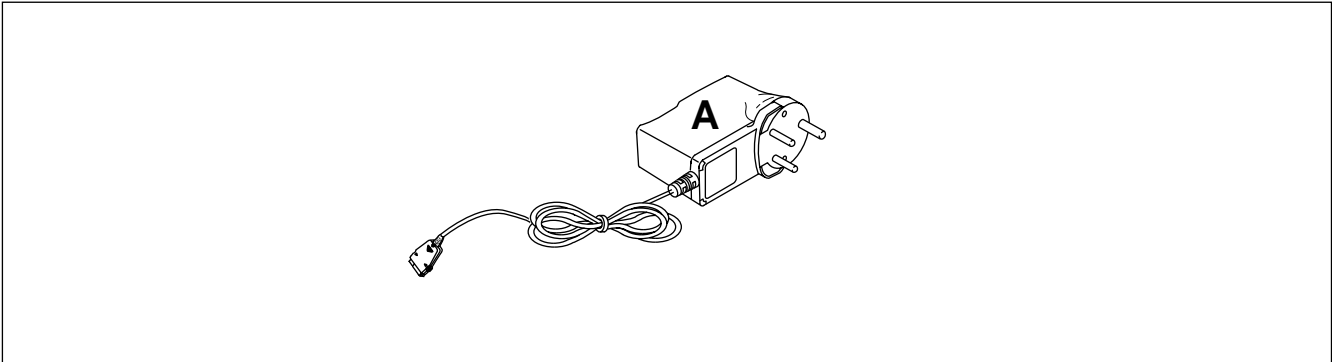
1-1 SCH-N191LSREL Main



1-2 SCH-N191 Parts List

Location No.	Description	SEC CODE	Remark
1	FRONT COVER	GH75-02241B	
2	SPEAKER	3001-001199	
3	MIC	GH59-00596A	
4	KEYPAD	GH75-02242A	
5	DOME SHEET	GH59-00620A	
6	MAIN PBA	GH92-01356A	
7	LCD	GH07-00239A	
8	CONNECTOR COVER	GH73-01268A	
9	SPEAKER	3001-001313	
10	MOTOR	3101-001304	
11	VOLUME KEY	GH75-02108A	
12	ANTENNA	GH42-00216B	
13	REAR COVER	GH75-02240B	
14	RF COVER	GH73-01383B	
15	SCREW	6001-001639	
16	BATTERY	GH43-00716A	

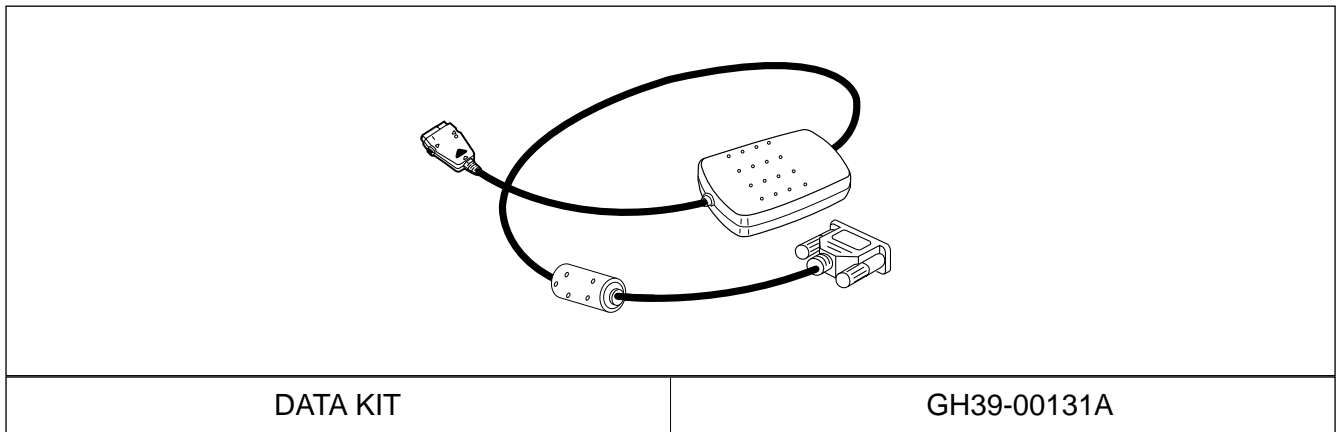
1-3 Travel Adapter



1-4 Travel Adapter Parts List

TYPE	SEC CODE	REMARK
A	GH44-00383A	-

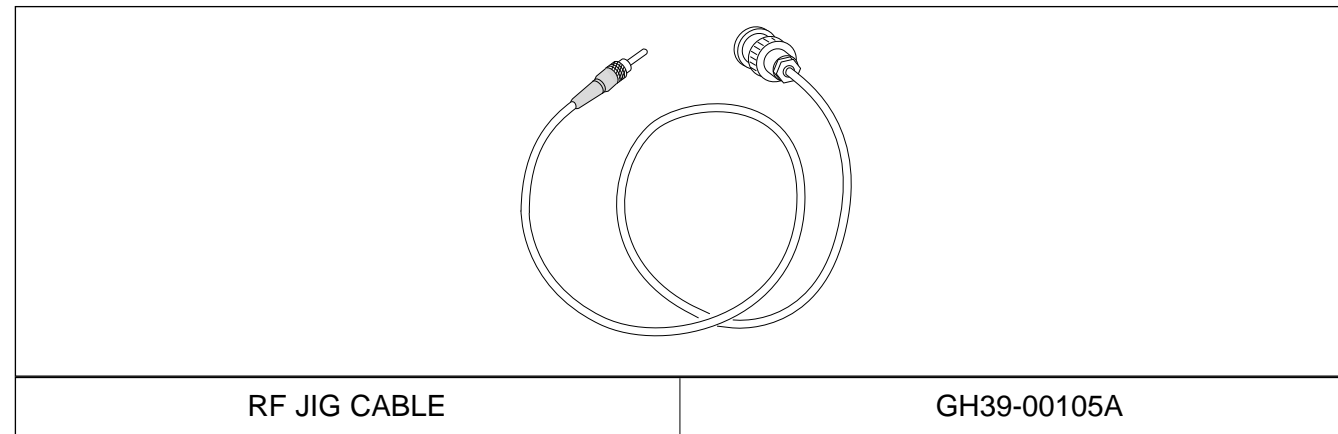
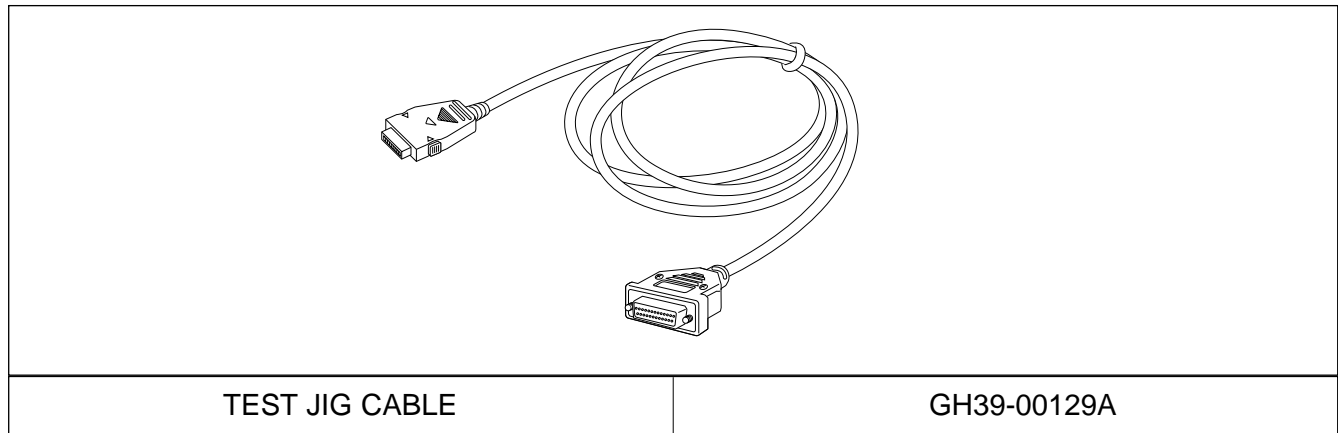
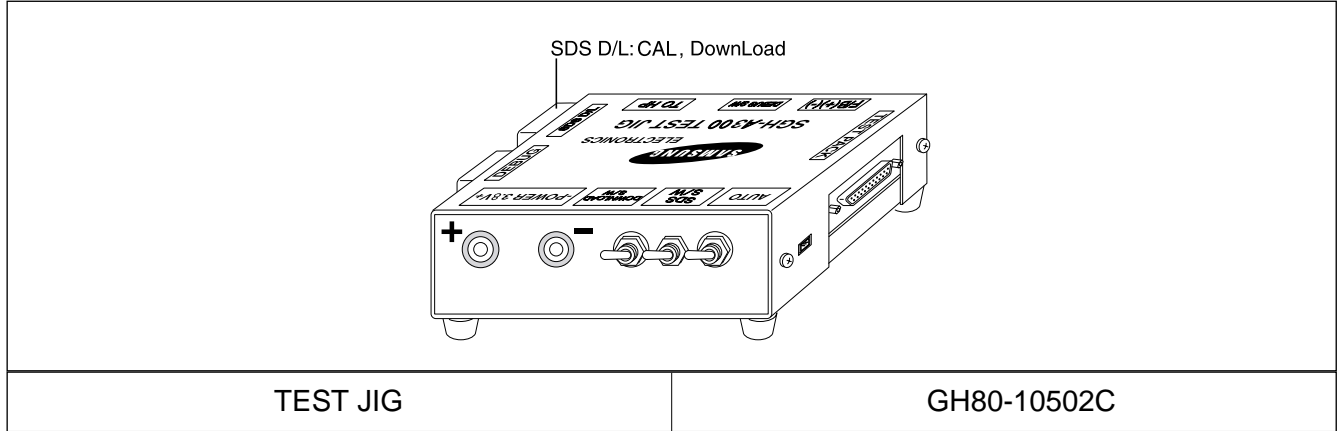
1-5 Data Kit



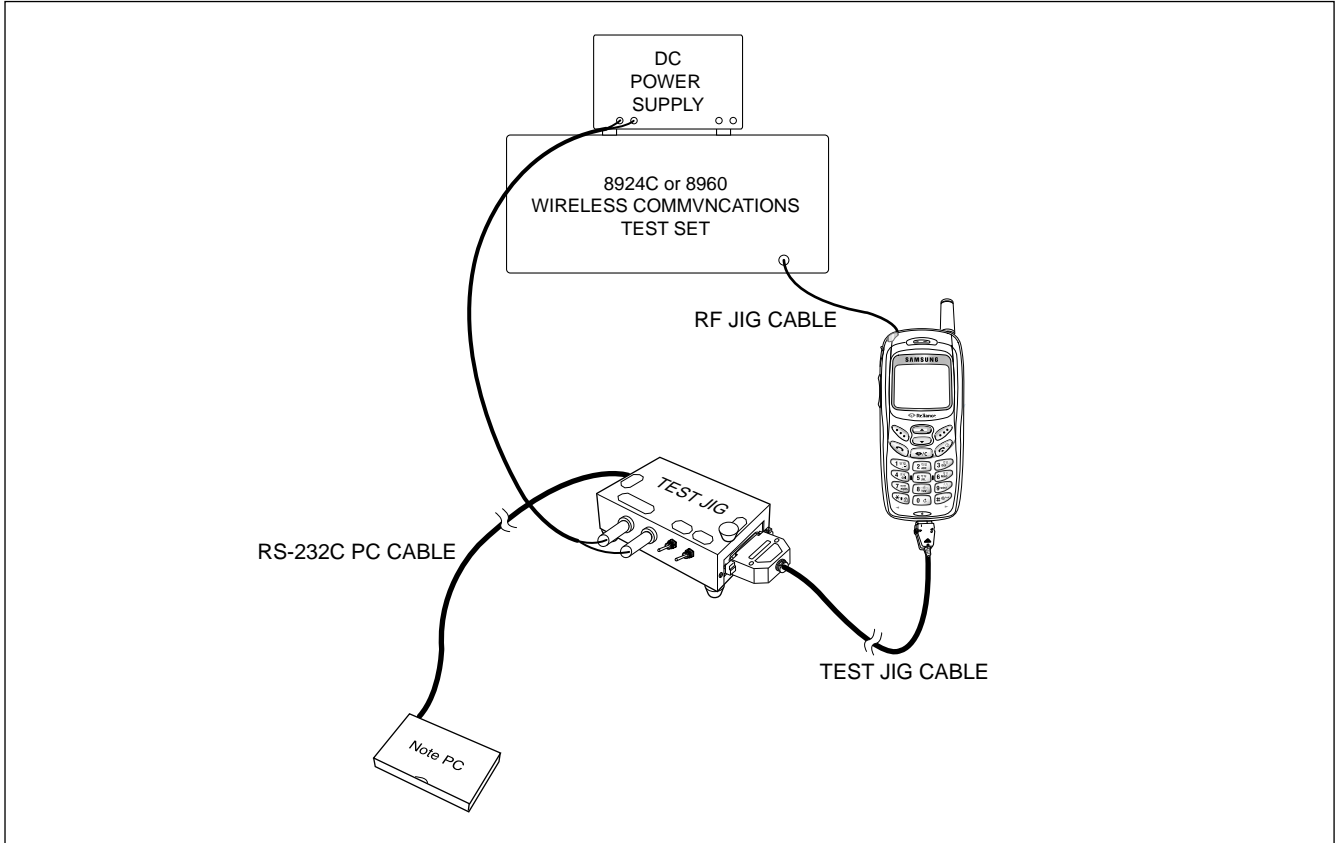
DATA KIT

GH39-00131A

1-6 Test Jig



1-7 The connection of Test Jig



2. Electrical Parts List

Level	SEC CODE	Design LOC	DESCRIPTIONS
0			SCH-N191LSREL
1	6001-001639		CH,+,M1.7,L5,ZPC(BLK),SWRCH18A,FP,NYLOCK
1	GH42-00216B		NSB115(A)-0100800-SS,SCH-N191,-,50OHM,-,95.7+-1.0MM,-, -,LESS THAN 4.5 : 1
1	GH43-00716A		ICP063047GH(800MAH),SCH-N191,LI-ION,800MAH,-,4.2V, -,3.7V,0TO+45C,800MA,-,WHT,-,1
1	GH44-00184A		TAD037EBE,SGH-N288,110V~240V,-,5.2V,-,-,AC/DC,-,-,-
1	GH68-03373A		SCH-N191,-,POLYESTER,-,-,90X52X0.05,WHT,-,-,-
1	GH73-01268B		SCH-N191,SI RUBBER,13.2X3.4X4.7,-,-,WHT,-,-,-
1	GH73-01383B		SCH-N191,URETHANE,PI4.1X6.0,-,-,WHT,-,-,-
1	GH74-00152A		SCH-A100,VINYL,T0.2,-,-
1	GH92-01356A		SCH-N191,SAMSUNG,INDA,MAIN PBA,-,-,-,-
2	0403-001387	ZD206	UDZS5.1B,4.89-5.2V,200mW,SOD-323,TP
2	0405-001035	D360	1SV279,15V,3nA,USC,TP
2	0405-001035	D361	1SV279,15V,3nA,USC,TP
2	0405-001035	D404	1SV279,15V,3nA,USC,TP
2	0405-001035	D405	1SV279,15V,3nA,USC,TP
2	0406-001005	ZD205	SM05,6V/1mA,300,SOT-23
2	0406-001083	ZD201	-,6.1/-7.2V,150W,SOT-323-5L
2	0406-001083	ZD203	-,6.1/-7.2V,150W,SOT-323-5L
2	0406-001104	ZD202	ESDA6V1-5W6,6.1/-7.2V,100W,SOT-323-6L
2	0407-000115	D204	DAN202U,80V,100mA,CA2-3,SC-70,
2	0407-001002	D407	DAN222,80V,300mA,CA2-3,EM3,TP
2	0407-001007	D406	UMN1,80V,25mA,CA4-2,UM5,TR
2	0407-001038	U565	USBUF01W6,-,-,-,SOT-323-6L,-
2	0501-000225	Q515	2SC4617,NPN,200mW,EM3,TP,120-5
2	0501-000225	Q519	2SC4617,NPN,200mW,EM3,TP,120-5
2	0501-002202	Q201	MMBT2222AWT1,NPN,150mW,SOT-323
2	0502-001201	Q524	ZXT13P20DE6,PNP,1100MW,SOT-23-6,TP,300-900
2	0504-000167	Q507	RN1102,NPN,100MW,10K/10K,SSM,TP
2	0504-000167	Q514	RN1102,NPN,100MW,10K/10K,SSM,TP
2	0504-000167	Q518	RN1102,NPN,100MW,10K/10K,SSM,TP
2	0504-000168	Q521	RN1104,NPN,100MW,47K/47K,SSM,TP
2	0504-000168	Q522	RN1104,NPN,100MW,47K/47K,SSM,TP
2	0505-001165	Q525	SI3443DV,P,-20V,+3.5mA,65mohm
2	0506-001004	U676	UMC5N,NPN/PNP,2,50V,-,-100mA,3
2	0601-001402	LED510	CHIP,RED/Y-GRN,1.2x1.5mm,660/570nm

Level	SEC CODE	Design LOC	DESCRIPTIONS
2	0601-001602	LED512	CHIP,BLUE,1.1X0.8MM,472.5NM
2	0601-001602	LED513	CHIP,BLUE,1.1X0.8MM,472.5NM
2	0601-001602	LED514	CHIP,BLUE,1.1X0.8MM,472.5NM
2	0601-001602	LED515	CHIP,BLUE,1.1X0.8MM,472.5NM
2	0601-001602	LED516	CHIP,BLUE,1.1X0.8MM,472.5NM
2	0601-001602	LED517	CHIP,BLUE,1.1X0.8MM,472.5NM
2	0601-001602	LED519	CHIP,BLUE,1.1X0.8MM,472.5NM
2	0601-001602	LED520	CHIP,BLUE,1.1X0.8MM,472.5NM
2	0601-001602	LED521	CHIP,BLUE,1.1X0.8MM,472.5NM
2	0601-001602	LED523	CHIP,BLUE,1.1X0.8MM,472.5NM
2	0801-002345	U14	7S04,INVERTER,SOT-353,5P,49MIL,SINGLE,TP,PLASTIC,-,-, 0.26V,-40TO+85C,200MW,4.2V,
2	1001-001145	U680	MAX4599EXT,-,SC70,6P,49MIL,SINGLE,5.5V, -40to+85C,PLASTIC,245mW,60ohm,25ns,30ns,0
2	1003-001440	Q527	MDC3105LT1,SOT-23,3P,49MIL,-,500MA,TP,PLASTIC,6V, -40TO+85C,225MA,-,-
2	1103-001185	U114	24A2561,32Kx8Bit,TSSOP,8P,-,-,1.8V,-,PLASTIC,-25to+70C,1uA,CMOS,TR
2	1109-001210	U506	42587,32MX8MBIT,FBGA,-,-,85NS,3V,10%,PLASTIC, -25TO+85CC,12UA,CMOS,BK
2	1201-001491	U471	912,LCC,7P,226MIL,SINGLE,28dB,PLASTIC,4.2V,-,-30to+85C,-,-,-,-,-
2	1201-001764	U659	-,SOT23-6,TP,6P,63MIL,SINGLE,-,PLASTIC,5.5V,-, -40TO+85C,50DB,5V/US,25NA,4PA,3.2M
2	1201-001921	U33	TQ3131,SOT-23,8P,2.9X1.6MM,-,13DB,PLASTIC,3.3V,500MW, -40TO+85C,-,-,-,-,-
2	1202-001036	U663	75W56,SSOP,8P,90MIL,DUAL,+,-7V,CMOS,PLASTIC,7V,200MW, -40TO+85C,7V,7V,1PA,1PA,60NS
2	1203-001256	U673	5205,SOT-23,5P,59MIL,PLASTIC,3
2	1203-001285	U666	5205,SOT-23,5P,150MIL,PLASTIC,
2	1203-001285	U667	5205,SOT-23,5P,150MIL,PLASTIC,
2	1203-001285	U668	5205,SOT-23,5P,150MIL,PLASTIC,
2	1203-001511	U662	809,SOT-23,3P,-,PLASTIC,0.3/6.
2	1203-002127	U664	1734,SOT-23,6P,150MIL,PLASTIC,4.7/5.3V,-,0to+70C,1A,-,TP
2	1203-002555	U671	R1160N,SOT-23-5,5P,-,PLASTIC,2.5V,250MW,-45TO+85C,200MA,-,TP
2	1203-002556	U665	R1160N,SOT-23-5,5P,-,PLASTIC,2.8V,250MA,-45TO+85C,200MA,-,TP
2	1204-001581	U340	IFR3000-48BCCF-TR,BCC,48P,-,PLASTIC,3.5V,-,-30+85CC,TR,RX
2	1204-001682	U579	RFT3100,BCC,32P,196MIL,PLASTIC,3.3V,-,-30TO+85C,TP,-
2	1204-001811	U641	YMU759-QE2,QFN,32P,-,PLASTIC,6V,-,-20TO+85C,TP,-

Electrical Parts List

Level	SEC CODE	Design LOC	DESCRIPTIONS
2	1205-001753	U672	TQ5M31,SOT-23,6P,64MIL,PLASTIC,5V,-,-40TO+85C,TP,-
2	1205-002044	U100	MSM5105,FBGA,208P,-,PLASTIC,3.7V,-,-40TO+85C,TR,-
2	1205-002130	U202	ISP1105W,HBCC16,16P,3X3MM,PLASTIC,5.5V,-,-40TO+85C,TP,-
2	1209-001341	U370	LMX2354SLBX,CSP,24P,-,PLASTIC,5.5V,-,-40to+85C,TP
2	1404-001196	TH101	2.2Kohm,+5%,3950K,1mW/C,TP
2	1404-001224	TH100	10Kohm,310uA,3380K,1mW/C,-,-,TP
2	1405-001082	V210	5.6V,20A,1x0.5x0.6mm,TP
2	1405-001082	V214	5.6V,20A,1x0.5x0.6mm,TP
2	1405-001082	V215	5.6V,20A,1x0.5x0.6mm,TP
2	1405-001082	V216	5.6V,20A,1x0.5x0.6mm,TP
2	1405-001082	V217	5.6V,20A,1x0.5x0.6mm,TP
2	1405-001082	V218	5.6V,20A,1x0.5x0.6mm,TP
2	1405-001082	V219	5.6V,20A,1x0.5x0.6mm,TP
2	2007-000138	R286	100ohm,5%,1/16W,DA,TP,1005
2	2007-000138	R374	100ohm,5%,1/16W,DA,TP,1005
2	2007-000139	R528	220ohm,5%,1/16W,DA,TP,1005
2	2007-000140	R106	1Kohm,5%,1/16W,DA,TP,1005
2	2007-000140	R108	1Kohm,5%,1/16W,DA,TP,1005
2	2007-000140	R109	1Kohm,5%,1/16W,DA,TP,1005
2	2007-000140	R110	1Kohm,5%,1/16W,DA,TP,1005
2	2007-000140	R112	1Kohm,5%,1/16W,DA,TP,1005
2	2007-000140	R113	1Kohm,5%,1/16W,DA,TP,1005
2	2007-000140	R114	1Kohm,5%,1/16W,DA,TP,1005
2	2007-000140	R120	1Kohm,5%,1/16W,DA,TP,1005
2	2007-000140	R121	1Kohm,5%,1/16W,DA,TP,1005
2	2007-000140	R215	1Kohm,5%,1/16W,DA,TP,1005
2	2007-000140	R403	1Kohm,5%,1/16W,DA,TP,1005
2	2007-000140	R405	1Kohm,5%,1/16W,DA,TP,1005
2	2007-000140	R412	1Kohm,5%,1/16W,DA,TP,1005
2	2007-000140	R874	1Kohm,5%,1/16W,DA,TP,1005
2	2007-000140	R924	1Kohm,5%,1/16W,DA,TP,1005
2	2007-000141	R153	2.2Kohm,5%,1/16W,DA,TP,1005
2	2007-000141	R165	2.2Kohm,5%,1/16W,DA,TP,1005
2	2007-000141	R794	2.2Kohm,5%,1/16W,DA,TP,1005
2	2007-000141	R795	2.2Kohm,5%,1/16W,DA,TP,1005
2	2007-000141	R796	2.2Kohm,5%,1/16W,DA,TP,1005
2	2007-000141	R797	2.2Kohm,5%,1/16W,DA,TP,1005

Level	SEC CODE	Design LOC	DESCRIPTIONS
2	2007-000141	R798	2.2Kohm,5%,1/16W,DA,TP,1005
2	2007-000141	R799	2.2Kohm,5%,1/16W,DA,TP,1005
2	2007-000141	R800	2.2Kohm,5%,1/16W,DA,TP,1005
2	2007-000141	R801	2.2Kohm,5%,1/16W,DA,TP,1005
2	2007-000141	R802	2.2Kohm,5%,1/16W,DA,TP,1005
2	2007-000141	R803	2.2Kohm,5%,1/16W,DA,TP,1005
2	2007-000141	R804	2.2Kohm,5%,1/16W,DA,TP,1005
2	2007-000141	R805	2.2Kohm,5%,1/16W,DA,TP,1005
2	2007-000143	R881	4.7Kohm,5%,1/16W,DA,TP,1005
2	2007-000143	R946	4.7Kohm,5%,1/16W,DA,TP,1005
2	2007-000147	R101	8.2Kohm,5%,1/16W,DA,TP,1005
2	2007-000148	R118	10Kohm,5%,1/16W,DA,TP,1005
2	2007-000148	R119	10Kohm,5%,1/16W,DA,TP,1005
2	2007-000148	R126	10Kohm,5%,1/16W,DA,TP,1005
2	2007-000148	R150	10Kohm,5%,1/16W,DA,TP,1005
2	2007-000148	R155	10Kohm,5%,1/16W,DA,TP,1005
2	2007-000148	R156	10Kohm,5%,1/16W,DA,TP,1005
2	2007-000148	R304	10Kohm,5%,1/16W,DA,TP,1005
2	2007-000148	R360	10Kohm,5%,1/16W,DA,TP,1005
2	2007-000148	R361	10Kohm,5%,1/16W,DA,TP,1005
2	2007-000148	R877	10Kohm,5%,1/16W,DA,TP,1005
2	2007-000148	R917	10Kohm,5%,1/16W,DA,TP,1005
2	2007-000148	R923	10Kohm,5%,1/16W,DA,TP,1005
2	2007-000148	R958	10Kohm,5%,1/16W,DA,TP,1005
2	2007-000153	R896	22Kohm,5%,1/16W,DA,TP,1005
2	2007-000153	R897	22Kohm,5%,1/16W,DA,TP,1005
2	2007-000154	R376	24Kohm,5%,1/16W,DA,TP,1005
2	2007-000156	R151	30Kohm,5%,1/16W,DA,TP,1005
2	2007-000156	R760	30Kohm,5%,1/16W,DA,TP,1005
2	2007-000156	R761	30Kohm,5%,1/16W,DA,TP,1005
2	2007-000157	R341	47Kohm,5%,1/16W,DA,TP,1005
2	2007-000157	R754	47Kohm,5%,1/16W,DA,TP,1005
2	2007-000157	R885	47Kohm,5%,1/16W,DA,TP,1005
2	2007-000159	R758	56Kohm,5%,1/16W,DA,TP,1005
2	2007-000159	R759	56Kohm,5%,1/16W,DA,TP,1005
2	2007-000162	R13	100Kohm,5%,1/16W,DA,TP,1005
2	2007-000162	R139	100Kohm,5%,1/16W,DA,TP,1005

Electrical Parts List

Level	SEC CODE	Design LOC	DESCRIPTIONS
2	2007-000162	R538	100Kohm,5%,1/16W,DA,TP,1005
2	2007-000162	R755	100Kohm,5%,1/16W,DA,TP,1005
2	2007-000162	R869	100Kohm,5%,1/16W,DA,TP,1005
2	2007-000162	R870	100Kohm,5%,1/16W,DA,TP,1005
2	2007-000162	R871	100Kohm,5%,1/16W,DA,TP,1005
2	2007-000162	R886	100Kohm,5%,1/16W,DA,TP,1005
2	2007-000162	R887	100Kohm,5%,1/16W,DA,TP,1005
2	2007-000162	R900	100Kohm,5%,1/16W,DA,TP,1005
2	2007-000164	R894	150Kohm,5%,1/16W,DA,TP,1005
2	2007-000164	R907	150Kohm,5%,1/16W,DA,TP,1005
2	2007-000164	R908	150Kohm,5%,1/16W,DA,TP,1005
2	2007-000164	R945	150Kohm,5%,1/16W,DA,TP,1005
2	2007-000168	R940	470Kohm,5%,1/16W,DA,TP,1005
2	2007-000169	R158	510Kohm,5%,1/16W,DA,TP,1005
2	2007-000172	R370	10ohm,5%,1/16W,DA,TP,1005
2	2007-000172	R856	10ohm,5%,1/16W,DA,TP,1005
2	2007-000172	R918	10ohm,5%,1/16W,DA,TP,1005
2	2007-000172	R919	10ohm,5%,1/16W,DA,TP,1005
2	2007-000172	R947	10ohm,5%,1/16W,DA,TP,1005
2	2007-000172	R948	10ohm,5%,1/16W,DA,TP,1005
2	2007-000172	R949	10ohm,5%,1/16W,DA,TP,1005
2	2007-000172	R950	10ohm,5%,1/16W,DA,TP,1005
2	2007-000242	R255	1.5Kohm,5%,1/16W,DA,TP,1005
2	2007-000775	R880	33Kohm,5%,1/16W,DA,TP,1005
2	2007-001288	R961	18ohm,5%,1/16W,DA,TP,1005
2	2007-001295	R921	39ohm,5%,1/16W,DA,TP,1005
2	2007-001298	R407	51ohm,5%,1/16W,DA,TP,1005
2	2007-001298	R58	51ohm,5%,1/16W,DA,TP,1005
2	2007-001311	R959	270ohm,5%,1/16W,DA,TP,1005
2	2007-001311	R960	270ohm,5%,1/16W,DA,TP,1005
2	2007-001313	R127	330ohm,5%,1/16W,DA,TP,1005
2	2007-001313	R851	330ohm,5%,1/16W,DA,TP,1005
2	2007-001319	R115	1.2Kohm,5%,1/16W,DA,TP,1005
2	2007-001319	R285	1.2Kohm,5%,1/16W,DA,TP,1005
2	2007-001320	R890	1.8Kohm,5%,1/16W,DA,TP,1005
2	2007-001325	R411	3.3Kohm,5%,1/16W,DA,TP,1005
2	2007-001325	R762	3.3Kohm,5%,1/16W,DA,TP,1005

Level	SEC CODE	Design LOC	DESCRIPTIONS
2	2007-001333	R124	18Kohm,5%,1/16W,DA,TP,1005
2	2007-001333	R217	18Kohm,5%,1/16W,DA,TP,1005
2	2007-001339	R157	180Kohm,5%,1/16W,DA,TP,1005
2	2007-001339	R159	180Kohm,5%,1/16W,DA,TP,1005
2	2007-002970	R860	56OHM,5%,1/16W,DA,TP,1005
2	2007-007001	R899	3.9KOHM,5%,1/16W,DA,TP,1005
2	2007-007014	R377	51KOHM,5%,1/16W,DA,TP,1005
2	2007-007107	R104	100Kohm,1%,1/16W,DA,TP,1005
2	2007-007107	R298	100Kohm,1%,1/16W,DA,TP,1005
2	2007-007107	R854	100Kohm,1%,1/16W,DA,TP,1005
2	2007-007132	R862	15Kohm,1%,1/16W,DA,TP,1005
2	2007-007135	R858	18Kohm,1%,1/16W,DA,TP,1005
2	2007-007137	R292	1.2Kohm,1%,1/16W,DA,TP,1005
2	2007-007138	R857	27KOHM,1%,1/16W,DA,TP,1005
2	2007-007142	R413	10Kohm,1%,1/16W,DA,TP,1005
2	2007-007142	R416	10Kohm,1%,1/16W,DA,TP,1005
2	2007-007142	R843	10Kohm,1%,1/16W,DA,TP,1005
2	2007-007142	R859	10Kohm,1%,1/16W,DA,TP,1005
2	2007-007193	R942	5.1OHM,5%,1/16W,DA,TP,1005
2	2007-007197	R920	3.3OHM,5%,1/16W,DA,TP,1005
2	2007-007306	R125	100ohm,1%,1/16W,DA,TP,1005
2	2007-007307	R529	150ohm,1%,1/16W,DA,TP,1005
2	2007-007307	R911	150ohm,1%,1/16W,DA,TP,1005
2	2007-007307	R912	150ohm,1%,1/16W,DA,TP,1005
2	2007-007307	R913	150ohm,1%,1/16W,DA,TP,1005
2	2007-007307	R915	150ohm,1%,1/16W,DA,TP,1005
2	2007-007307	R925	150ohm,1%,1/16W,DA,TP,1005
2	2007-007307	R926	150ohm,1%,1/16W,DA,TP,1005
2	2007-007307	R927	150ohm,1%,1/16W,DA,TP,1005
2	2007-007307	R928	150ohm,1%,1/16W,DA,TP,1005
2	2007-007307	R929	150ohm,1%,1/16W,DA,TP,1005
2	2007-007307	R930	150ohm,1%,1/16W,DA,TP,1005
2	2007-007308	R172	33Kohm,1%,1/16W,DA,TP,1005
2	2007-007309	R293	12Kohm,1%,1/16W,DA,TP,1005
2	2007-007309	R408	12Kohm,1%,1/16W,DA,TP,1005
2	2007-007313	R861	6.8Kohm,1%,1/16W,DA,TP,1005
2	2007-007314	R171	5.6Kohm,1%,1/16W,DA,TP,1005

Level	SEC CODE	Design LOC	DESCRIPTIONS
2	2007-007314	R382	5.6Kohm,1%,1/16W,DA,TP,1005
2	2007-007529	R103	91Kohm,1%,1/16W,DA,TP,1005
2	2007-007698	R864	5.1Kohm,1%,1/16W,DA,TP,1005
2	2007-007766	R863	2KOHM,1%,1/16W,DA,TP,1005
2	2007-007771	R227	0OHM,5%,1/16W,DA,TP,1005
2	2007-007771	R401	0OHM,5%,1/16W,DA,TP,1005
2	2007-007771	R903	0OHM,5%,1/16W,DA,TP,1005
2	2007-007771	R937	0OHM,5%,1/16W,DA,TP,1005
2	2007-007771	R938	0OHM,5%,1/16W,DA,TP,1005
2	2007-007771	R951	0OHM,5%,1/16W,DA,TP,1005
2	2007-007771	R952	0OHM,5%,1/16W,DA,TP,1005
2	2007-007771	R953	0OHM,5%,1/16W,DA,TP,1005
2	2007-007771	R954	0OHM,5%,1/16W,DA,TP,1005
2	2007-007771	R955	0OHM,5%,1/16W,DA,TP,1005
2	2007-007771	R956	0OHM,5%,1/16W,DA,TP,1005
2	2007-007771	R962	0OHM,5%,1/16W,DA,TP,1005
2	2007-007771	R963	0OHM,5%,1/16W,DA,TP,1005
2	2007-008117	R891	2.7Kohm,1%,1/16W,DA,TP,1005
2	2007-008117	R892	2.7Kohm,1%,1/16W,DA,TP,1005
2	2203-000233	C1004	0.1NF,5%,50V,C0G,TP,1005
2	2203-000233	C1006	0.1NF,5%,50V,C0G,TP,1005
2	2203-000233	C101	0.1NF,5%,50V,C0G,TP,1005
2	2203-000233	C1026	0.1NF,5%,50V,C0G,TP,1005
2	2203-000233	C104	0.1NF,5%,50V,C0G,TP,1005
2	2203-000233	C109	0.1NF,5%,50V,C0G,TP,1005
2	2203-000233	C110	0.1NF,5%,50V,C0G,TP,1005
2	2203-000233	C145	0.1NF,5%,50V,C0G,TP,1005
2	2203-000233	C364	0.1NF,5%,50V,C0G,TP,1005
2	2203-000233	C375	0.1NF,5%,50V,C0G,TP,1005
2	2203-000233	C376	0.1NF,5%,50V,C0G,TP,1005
2	2203-000233	C386	0.1NF,5%,50V,C0G,TP,1005
2	2203-000233	C387	0.1NF,5%,50V,C0G,TP,1005
2	2203-000233	C388	0.1NF,5%,50V,C0G,TP,1005
2	2203-000233	C389	0.1NF,5%,50V,C0G,TP,1005
2	2203-000233	C395	0.1NF,5%,50V,C0G,TP,1005
2	2203-000233	C403	0.1NF,5%,50V,C0G,TP,1005
2	2203-000233	C406	0.1NF,5%,50V,C0G,TP,1005

Level	SEC CODE	Design LOC	DESCRIPTIONS
2	2203-000233	C408	0.1NF,5%,50V,C0G,TP,1005
2	2203-000233	C411	0.1NF,5%,50V,C0G,TP,1005
2	2203-000233	C484	0.1NF,5%,50V,C0G,TP,1005
2	2203-000233	C505	0.1NF,5%,50V,C0G,TP,1005
2	2203-000233	C541	0.1NF,5%,50V,C0G,TP,1005
2	2203-000233	C544	0.1NF,5%,50V,C0G,TP,1005
2	2203-000233	C545	0.1NF,5%,50V,C0G,TP,1005
2	2203-000233	C548	0.1NF,5%,50V,C0G,TP,1005
2	2203-000233	C550	0.1NF,5%,50V,C0G,TP,1005
2	2203-000233	C551	0.1NF,5%,50V,C0G,TP,1005
2	2203-000233	C552	0.1NF,5%,50V,C0G,TP,1005
2	2203-000233	C553	0.1NF,5%,50V,C0G,TP,1005
2	2203-000233	C556	0.1NF,5%,50V,C0G,TP,1005
2	2203-000233	C807	0.1NF,5%,50V,C0G,TP,1005
2	2203-000233	C808	0.1NF,5%,50V,C0G,TP,1005
2	2203-000233	C932	0.1NF,5%,50V,C0G,TP,1005
2	2203-000233	R160	0.1NF,5%,50V,C0G,TP,1005
2	2203-000233	R161	0.1NF,5%,50V,C0G,TP,1005
2	2203-000233	R471	0.1NF,5%,50V,C0G,TP,1005
2	2203-000254	C1002	10nF,10%,16V,X7R,TP,1005,-
2	2203-000254	C1003	10nF,10%,16V,X7R,TP,1005,-
2	2203-000254	C1028	10nF,10%,16V,X7R,TP,1005,-
2	2203-000254	C1038	10nF,10%,16V,X7R,TP,1005,-
2	2203-000254	C106	10nF,10%,16V,X7R,TP,1005,-
2	2203-000254	C107	10nF,10%,16V,X7R,TP,1005,-
2	2203-000254	C111	10nF,10%,16V,X7R,TP,1005,-
2	2203-000254	C173	10nF,10%,16V,X7R,TP,1005,-
2	2203-000254	C174	10nF,10%,16V,X7R,TP,1005,-
2	2203-000254	C180	10nF,10%,16V,X7R,TP,1005,-
2	2203-000254	C182	10nF,10%,16V,X7R,TP,1005,-
2	2203-000254	C184	10nF,10%,16V,X7R,TP,1005,-
2	2203-000254	C186	10nF,10%,16V,X7R,TP,1005,-
2	2203-000254	C188	10nF,10%,16V,X7R,TP,1005,-
2	2203-000254	C190	10nF,10%,16V,X7R,TP,1005,-
2	2203-000254	C192	10nF,10%,16V,X7R,TP,1005,-
2	2203-000254	C194	10nF,10%,16V,X7R,TP,1005,-
2	2203-000254	C196	10nF,10%,16V,X7R,TP,1005,-

Electrical Parts List

Level	SEC CODE	Design LOC	DESCRIPTIONS
2	2203-000254	C198	10nF,10%,16V,X7R,TP,1005,-
2	2203-000254	C294	10nF,10%,16V,X7R,TP,1005,-
2	2203-000254	C340	10nF,10%,16V,X7R,TP,1005,-
2	2203-000254	C342	10nF,10%,16V,X7R,TP,1005,-
2	2203-000254	C345	10nF,10%,16V,X7R,TP,1005,-
2	2203-000254	C346	10nF,10%,16V,X7R,TP,1005,-
2	2203-000254	C348	10nF,10%,16V,X7R,TP,1005,-
2	2203-000254	C385	10nF,10%,16V,X7R,TP,1005,-
2	2203-000254	C409	10nF,10%,16V,X7R,TP,1005,-
2	2203-000254	C418	10nF,10%,16V,X7R,TP,1005,-
2	2203-000254	C470	10nF,10%,16V,X7R,TP,1005,-
2	2203-000254	C933	10nF,10%,16V,X7R,TP,1005,-
2	2203-000254	C935	10nF,10%,16V,X7R,TP,1005,-
2	2203-000254	C945	10nF,10%,16V,X7R,TP,1005,-
2	2203-000254	C946	10nF,10%,16V,X7R,TP,1005,-
2	2203-000254	C948	10nF,10%,16V,X7R,TP,1005,-
2	2203-000254	C949	10nF,10%,16V,X7R,TP,1005,-
2	2203-000254	C950	10nF,10%,16V,X7R,TP,1005,-
2	2203-000359	C1021	0.15NF,5%,50V,C0G,TP,1005
2	2203-000425	C118	0.018NF,5%,50V,C0G,TP,1005
2	2203-000425	C119	0.018NF,5%,50V,C0G,TP,1005
2	2203-000438	C1010	1nF,10%,50V,X7R,TP,1005,-
2	2203-000438	C1011	1nF,10%,50V,X7R,TP,1005,-
2	2203-000438	C1025	1nF,10%,50V,X7R,TP,1005,-
2	2203-000438	C1040	1nF,10%,50V,X7R,TP,1005,-
2	2203-000438	C341	1nF,10%,50V,X7R,TP,1005,-
2	2203-000438	C343	1nF,10%,50V,X7R,TP,1005,-
2	2203-000438	C347	1nF,10%,50V,X7R,TP,1005,-
2	2203-000438	C349	1nF,10%,50V,X7R,TP,1005,-
2	2203-000438	C356	1nF,10%,50V,X7R,TP,1005,-
2	2203-000438	C358	1nF,10%,50V,X7R,TP,1005,-
2	2203-000438	C363	1nF,10%,50V,X7R,TP,1005,-
2	2203-000438	C400	1nF,10%,50V,X7R,TP,1005,-
2	2203-000438	C401	1nF,10%,50V,X7R,TP,1005,-
2	2203-000438	C416	1nF,10%,50V,X7R,TP,1005,-
2	2203-000438	C421	1nF,10%,50V,X7R,TP,1005,-
2	2203-000438	C798	1nF,10%,50V,X7R,TP,1005,-

Level	SEC CODE	Design LOC	DESCRIPTIONS
2	2203-000438	C938	1nF,10%,50V,X7R,TP,1005,-
2	2203-000438	C939	1nF,10%,50V,X7R,TP,1005,-
2	2203-000438	C965	1nF,10%,50V,X7R,TP,1005,-
2	2203-000438	C967	1nF,10%,50V,X7R,TP,1005,-
2	2203-000438	C968	1nF,10%,50V,X7R,TP,1005,-
2	2203-000438	C969	1nF,10%,50V,X7R,TP,1005,-
2	2203-000438	C993	1nF,10%,50V,X7R,TP,1005,-
2	2203-000438	C994	1nF,10%,50V,X7R,TP,1005,-
2	2203-000438	C995	1nF,10%,50V,X7R,TP,1005,-
2	2203-000438	C996	1nF,10%,50V,X7R,TP,1005,-
2	2203-000438	C999	1nF,10%,50V,X7R,TP,1005,-
2	2203-000489	C246	2.2nF,10%,50V,X7R,TP,1005,-
2	2203-000550	C1018	0.02NF,5%,50V,C0G,TP,1005
2	2203-000585	C392	220pF,10%,50V,X7R,TP,1005,-
2	2203-000643	C417	0.024NF,5%,50V,C0G,TP,1005
2	2203-000654	C805	270pF,10%,50V,X7R,TP,1005,-
2	2203-000714	C405	3.3nF,10%,50V,X7R,TP,1005,-
2	2203-000725	C380	3.9nF,10%,50V,X7R,TP,1005,-
2	2203-000812	C102	0.033NF,5%,50V,C0G,TP,1005
2	2203-000812	C1039	0.033NF,5%,50V,C0G,TP,1005
2	2203-000812	C1045	0.033NF,5%,50V,C0G,TP,1005
2	2203-000812	C108	0.033NF,5%,50V,C0G,TP,1005
2	2203-000812	C374	0.033NF,5%,50V,C0G,TP,1005
2	2203-000812	C475	0.033NF,5%,50V,C0G,TP,1005
2	2203-000812	C485	0.033NF,5%,50V,C0G,TP,1005
2	2203-000812	C488	0.033NF,5%,50V,C0G,TP,1005
2	2203-000812	C510	0.033NF,5%,50V,C0G,TP,1005
2	2203-000812	C538	0.033NF,5%,50V,C0G,TP,1005
2	2203-000812	C543	0.033NF,5%,50V,C0G,TP,1005
2	2203-000812	C986	0.033NF,5%,50V,C0G,TP,1005
2	2203-000812	C987	0.033NF,5%,50V,C0G,TP,1005
2	2203-000812	C988	0.033NF,5%,50V,C0G,TP,1005
2	2203-000812	C989	0.033NF,5%,50V,C0G,TP,1005
2	2203-000812	R470	0.033NF,5%,50V,C0G,TP,1005
2	2203-000836	C382	390pF,10%,50V,X7R,TP,1005,-
2	2203-000836	C425	390pF,10%,50V,X7R,TP,1005,-
2	2203-000854	C1017	0.039NF,5%,50V,C0G,TP,1005

Electrical Parts List

Level	SEC CODE	Design LOC	DESCRIPTIONS
2	2203-000870	C472	0.003NF,0.25PF,50V,C0G,TP,1005
2	2203-000885	C357	4.7nF,10%,25V,X7R,TP,1005,-
2	2203-000885	C423	4.7nF,10%,25V,X7R,TP,1005,-
2	2203-000885	C803	4.7nF,10%,25V,X7R,TP,1005,-
2	2203-000940	C1030	470pF,10%,50V,X7R,TP,1005,-
2	2203-000940	C286	470pF,10%,50V,X7R,TP,1005,-
2	2203-000940	C412	470pF,10%,50V,X7R,TP,1005,-
2	2203-000940	C413	470pF,10%,50V,X7R,TP,1005,-
2	2203-000940	C414	470pF,10%,50V,X7R,TP,1005,-
2	2203-000940	C415	470pF,10%,50V,X7R,TP,1005,-
2	2203-000940	C970	470pF,10%,50V,X7R,TP,1005,-
2	2203-000940	C972	470pF,10%,50V,X7R,TP,1005,-
2	2203-000940	C973	470pF,10%,50V,X7R,TP,1005,-
2	2203-000995	C1037	0.047NF,5%,50V,C0G,TP,1005
2	2203-000995	C224	0.047NF,5%,50V,C0G,TP,1005
2	2203-001017	C1024	0.004NF,0.25PF,50V,C0G,TP,1005
2	2203-001033	C542	5.6nF,10%,25V,X7R,TP,1005,-
2	2203-001072	C422	0.056nF,5%,50V,NP0,TP,1005
2	2203-001101	C791	6.8nF,10%,25V,X7R,TP,1005,-
2	2203-001124	C285	680pF,10%,50V,X7R,TP,1005,-
2	2203-001178	C1022	0.006nF,0.5pF,50V,NP0,TP,1005
2	2203-001178	C1023	0.006nF,0.5pF,50V,NP0,TP,1005
2	2203-001201	C362	0.007nF,0.5pF,50V,NP0,TP,1005
2	2203-001210	C378	8.2nF,10%,16V,X7R,TP,1005,-
2	2203-001221	C377	820pF,10%,50V,X7R,TP,1005,-
2	2203-001239	C360	0.082nF,5%,50V,NP0,TP,1005
2	2203-001239	C361	0.082nF,5%,50V,NP0,TP,1005
2	2203-001239	C379	0.082nF,5%,50V,NP0,TP,1005
2	2203-001239	C426	0.082nF,5%,50V,NP0,TP,1005
2	2203-001239	C427	0.082nF,5%,50V,NP0,TP,1005
2	2203-001259	C1015	0.008nF,0.5pF,50V,NP0,TP,1005
2	2203-001259	C429	0.008nF,0.5pF,50V,NP0,TP,1005
2	2203-001389	C162	12nF,10%,50V,X7R,TP,1608,1.6mm
2	2203-001389	C164	12nF,10%,50V,X7R,TP,1608,1.6mm
2	2203-001405	C1007	22nF,+80-20%,25V,Y5V,TP,1005
2	2203-001405	C1008	22nF,+80-20%,25V,Y5V,TP,1005
2	2203-001405	C1009	22nF,+80-20%,25V,Y5V,TP,1005

Level	SEC CODE	Design LOC	DESCRIPTIONS
2	2203-001405	C153	22nF,+80-20%,25V,Y5V,TP,1005
2	2203-001405	C155	22nF,+80-20%,25V,Y5V,TP,1005
2	2203-001405	C156	22nF,+80-20%,25V,Y5V,TP,1005
2	2203-001405	C158	22nF,+80-20%,25V,Y5V,TP,1005
2	2203-001405	C359	22nF,+80-20%,25V,Y5V,TP,1005
2	2203-001405	C804	22nF,+80-20%,25V,Y5V,TP,1005
2	2203-001432	C424	47nF,+80-20%,16V,Y5V,TP,1005
2	2203-001437	C1016	5pF,0.25pF,50V,X7R,TP,1005,1.0
2	2203-001437	C1041	5pF,0.25pF,50V,X7R,TP,1005,1.0
2	2203-001437	C1046	5pF,0.25pF,50V,X7R,TP,1005,1.0
2	2203-001630	C806	330nF,+80-20%,16V,Y5V,TP,1608
2	2203-005061	C105	100nF,+80-20%,16V,Y5V,TP,1005
2	2203-005061	C150	100nF,+80-20%,16V,Y5V,TP,1005
2	2203-005061	C151	100nF,+80-20%,16V,Y5V,TP,1005
2	2203-005061	C152	100nF,+80-20%,16V,Y5V,TP,1005
2	2203-005061	C159	100nF,+80-20%,16V,Y5V,TP,1005
2	2203-005061	C160	100nF,+80-20%,16V,Y5V,TP,1005
2	2203-005061	C161	100nF,+80-20%,16V,Y5V,TP,1005
2	2203-005061	C163	100nF,+80-20%,16V,Y5V,TP,1005
2	2203-005061	C181	100nF,+80-20%,16V,Y5V,TP,1005
2	2203-005061	C183	100nF,+80-20%,16V,Y5V,TP,1005
2	2203-005061	C185	100nF,+80-20%,16V,Y5V,TP,1005
2	2203-005061	C187	100nF,+80-20%,16V,Y5V,TP,1005
2	2203-005061	C189	100nF,+80-20%,16V,Y5V,TP,1005
2	2203-005061	C191	100nF,+80-20%,16V,Y5V,TP,1005
2	2203-005061	C193	100nF,+80-20%,16V,Y5V,TP,1005
2	2203-005061	C195	100nF,+80-20%,16V,Y5V,TP,1005
2	2203-005061	C197	100nF,+80-20%,16V,Y5V,TP,1005
2	2203-005061	C199	100nF,+80-20%,16V,Y5V,TP,1005
2	2203-005061	C247	100nF,+80-20%,16V,Y5V,TP,1005
2	2203-005061	C295	100nF,+80-20%,16V,Y5V,TP,1005
2	2203-005061	C298	100nF,+80-20%,16V,Y5V,TP,1005
2	2203-005061	C354	100nF,+80-20%,16V,Y5V,TP,1005
2	2203-005061	C355	100nF,+80-20%,16V,Y5V,TP,1005
2	2203-005061	C372	100nF,+80-20%,16V,Y5V,TP,1005
2	2203-005061	C384	100nF,+80-20%,16V,Y5V,TP,1005
2	2203-005061	C394	100nF,+80-20%,16V,Y5V,TP,1005

Electrical Parts List

Level	SEC CODE	Design LOC	DESCRIPTIONS
2	2203-005061	C402	100nF,+80-20%,16V,Y5V,TP,1005
2	2203-005061	C404	100nF,+80-20%,16V,Y5V,TP,1005
2	2203-005061	C503	100nF,+80-20%,16V,Y5V,TP,1005
2	2203-005061	C536	100nF,+80-20%,16V,Y5V,TP,1005
2	2203-005061	C549	100nF,+80-20%,16V,Y5V,TP,1005
2	2203-005061	C554	100nF,+80-20%,16V,Y5V,TP,1005
2	2203-005061	C800	100nF,+80-20%,16V,Y5V,TP,1005
2	2203-005061	C801	100nF,+80-20%,16V,Y5V,TP,1005
2	2203-005061	C809	100nF,+80-20%,16V,Y5V,TP,1005
2	2203-005065	C157	1000nF,+80-20%,10V,Y5V,TP,1608
2	2203-005065	C344	1000nF,+80-20%,10V,Y5V,TP,1608
2	2203-005065	C793	1000nF,+80-20%,10V,Y5V,TP,1608
2	2203-005065	C794	1000nF,+80-20%,10V,Y5V,TP,1608
2	2203-005065	C795	1000nF,+80-20%,10V,Y5V,TP,1608
2	2203-005065	C796	1000nF,+80-20%,10V,Y5V,TP,1608
2	2203-005393	C115	0.005nF,0.1pF,50V,NP0,TP,1005
2	2203-005393	C116	0.005nF,0.1pF,50V,NP0,TP,1005
2	2203-005446	C1019	0.0027nF,0.1pF,50V,NP0,TP,1005
2	2203-005480	C944	33nF,10%,10V,X7R,TP,1005,-
2	2203-005481	C792	47nF,10%,10V,X7R,TP,1005,-
2	2203-005482	C370	100nF,10%,10V,X5R,TP,1005,-
2	2203-005482	C943	100nF,10%,10V,X5R,TP,1005,-
2	2203-005482	C980	100nF,10%,10V,X5R,TP,1005,-
2	2203-005483	C114	68nF,10%,10V,X5R,TP,1005,-
2	2203-005509	C787	330nF,+80-20%,10V,Y5V,TP,1005
2	2203-005509	C788	330nF,+80-20%,10V,Y5V,TP,1005
2	2203-005509	C789	330nF,+80-20%,10V,Y5V,TP,1005
2	2203-005509	C790	330nF,+80-20%,10V,Y5V,TP,1005
2	2203-005664	C434	4700nF,10%,6.3V,X5R,TP,2012
2	2203-005664	C557	4700nF,10%,6.3V,X5R,TP,2012
2	2404-001105	C1029	10UF,20%,6.3V,GP,TP,2012
2	2404-001105	C371	10UF,20%,6.3V,GP,TP,2012
2	2404-001105	C390	10UF,20%,6.3V,GP,TP,2012
2	2404-001105	C410	10UF,20%,6.3V,GP,TP,2012
2	2404-001105	C799	10UF,20%,6.3V,GP,TP,2012
2	2404-001105	C959	10UF,20%,6.3V,GP,TP,2012
2	2404-001105	C960	10UF,20%,6.3V,GP,TP,2012

Level	SEC CODE	Design LOC	DESCRIPTIONS
2	2404-001105	C961	10UF,20%,6.3V,GP,TP,2012
2	2404-001105	C962	10UF,20%,6.3V,GP,TP,2012
2	2404-001105	C963	10UF,20%,6.3V,GP,TP,2012
2	2404-001105	C964	10UF,20%,6.3V,GP,TP,2012
2	2404-001105	C991	10UF,20%,6.3V,GP,TP,2012
2	2404-001151	C154	33UF,20%,6.3V,LZ,TP,3216
2	2404-001151	C383	33UF,20%,6.3V,LZ,TP,3216
2	2404-001151	C466	33UF,20%,6.3V,LZ,TP,3216
2	2404-001151	C957	33UF,20%,6.3V,LZ,TP,3216
2	2703-001180	L504	15nH,5%,1x0.5x0.5mm
2	2703-001180	L578	15nH,5%,1x0.5x0.5mm
2	2703-001180	L584	15nH,5%,1x0.5x0.5mm
2	2703-001180	L585	15nH,5%,1x0.5x0.5mm
2	2703-001180	L591	15nH,5%,1x0.5x0.5mm
2	2703-001425	L360	68nH,5%,1.6x0.8x0.8mm
2	2703-001722	L502	18nH,5%,1.0x0.5x0.5mm
2	2703-001730	L577	15nH,5%,1x0.5x0.5mm
2	2703-001733	L470	8.2nH,5%,1x0.5x0.5mm
2	2703-001748	L590	5.6nH,0.3nH,1.0x0.5x0.5mm
2	2703-001750	L592	2.2NH,0.3NH,1.0X0.5X0.5MM
2	2703-001751	L593	3.9nH,0.3nH,1.0x0.5x0.5mm
2	2703-001851	L582	270NH,5%,1.8X1.12X1.02MM
2	2703-001907	L412	27nH,2%,1.8x1.12x1.02mm
2	2703-001914	L580	180nH,2%,1.6x0.8x0.8mm
2	2703-001926	L406	27nH,2%,1.6x0.8x0.8mm
2	2703-001926	L407	27nH,2%,1.6x0.8x0.8mm
2	2703-002526	L581	150NH,5%,1.6X0.8X0.8MM
2	2801-003856	OSC101	0.032768MHZ,20PPM,28-ACP,7PF,65KOHM,TP
2	2802-001182	OSC102	48MHZ,0.1%,BK,2.5X2X1MM
2	2806-001304	OSC300	967MHZ,-,-,TP,2.8V,-
2	2809-001259	OSC301	19.68MHZ,2PPM,10KOHM/10PF,TP,2.8V,-
2	2904-001172	F401	836.5MHz,25MHz,+/-12.5MHz/1.5,TP,+/-12.5MHz/2.5dB, DC-800MHz/25dB
2	2904-001173	F4	881.5MHz,25MHz,+/-12.5MHz/2dB,TP,+/-12.5MHz/3.5dB, DC-779MHz/25dB
2	2904-001324	F413	85.38MHZ,1.9MHZ,30MHZ/0.6DB,TP,10.5,-
2	2909-001169	F411	881.5MHZ,836.5MHZ,3.1/2.1DB,TP,-,-

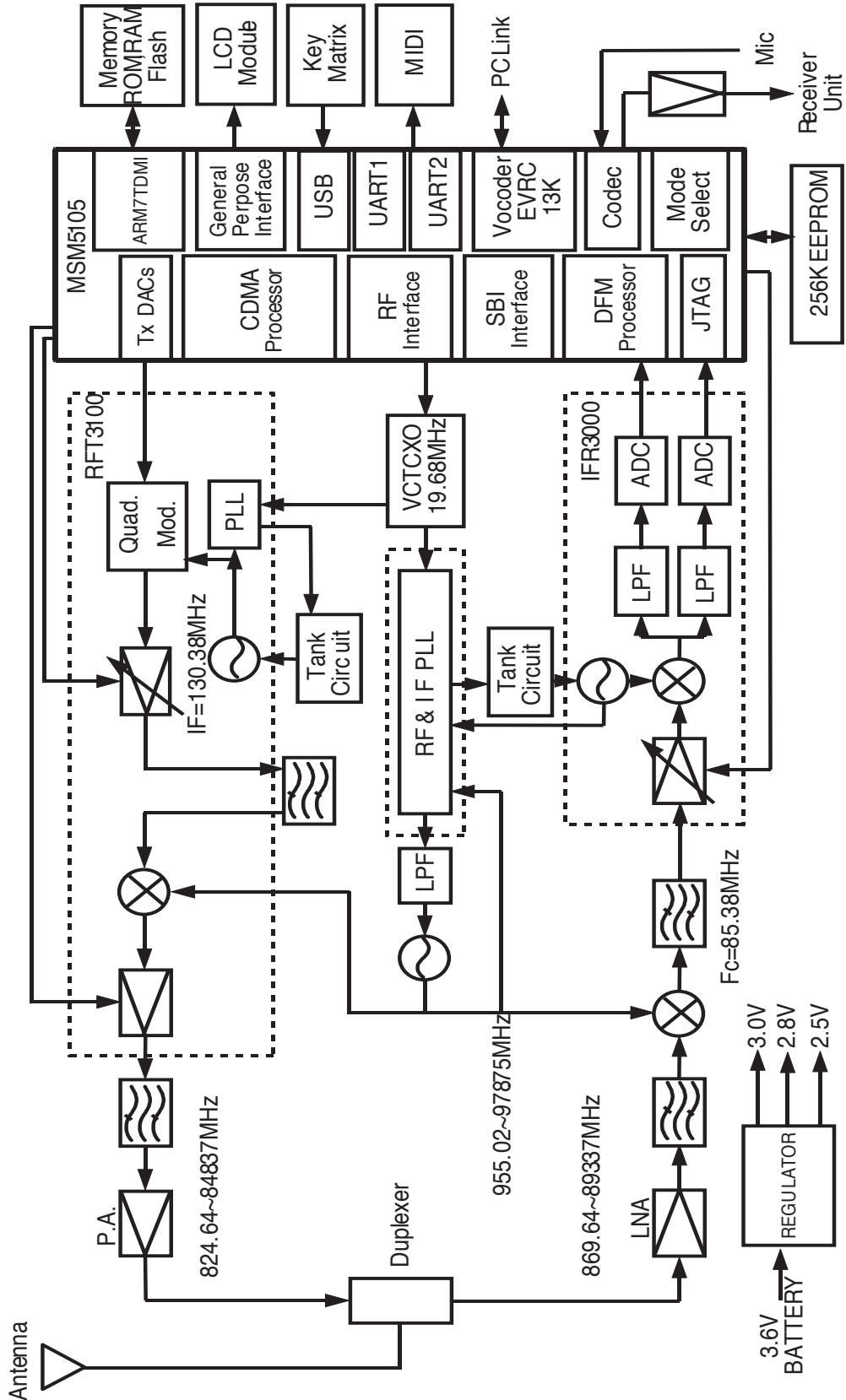
Electrical Parts List

Level	SEC CODE	Design LOC	DESCRIPTIONS
2	3301-001105	L340	AB,1.6x0.8x0.8mm,-,-
2	3301-001105	L401	AB,1.6x0.8x0.8mm,-,-
2	3301-001105	L583	AB,1.6x0.8x0.8mm,-,-
2	3301-001342	F13	AB,1.5KOHM,1X0.5X0.5MM,100MA,TP,M,1.4OHM
2	3301-001342	F14	AB,1.5KOHM,1X0.5X0.5MM,100MA,TP,M,1.4OHM
2	3301-001342	L201	AB,1.5KOHM,1X0.5X0.5MM,100MA,TP,M,1.4OHM
2	3301-001342	L370	AB,1.5KOHM,1X0.5X0.5MM,100MA,TP,M,1.4OHM
2	3301-001342	L371	AB,1.5KOHM,1X0.5X0.5MM,100MA,TP,M,1.4OHM
2	3301-001342	L400	AB,1.5KOHM,1X0.5X0.5MM,100MA,TP,M,1.4OHM
2	3301-001342	L402	AB,1.5KOHM,1X0.5X0.5MM,100MA,TP,M,1.4OHM
2	3301-001342	L403	AB,1.5KOHM,1X0.5X0.5MM,100MA,TP,M,1.4OHM
2	3301-001342	L404	AB,1.5KOHM,1X0.5X0.5MM,100MA,TP,M,1.4OHM
2	3301-001342	R898	AB,1.5KOHM,1X0.5X0.5MM,100MA,TP,M,1.4OHM
2	3301-001362	L574	AB,1kohm,1x0.5x0.5mm,50mA,TP,FERRITE,1.5ohm
2	3301-001362	L575	AB,1kohm,1x0.5x0.5mm,50mA,TP,FERRITE,1.5ohm
2	3301-001362	L588	AB,1kohm,1x0.5x0.5mm,50mA,TP,FERRITE,1.5ohm
2	3404-001152	SW1	12V DC,20mA,160gf,4.5x4.0x2.3mm,SPST
2	3404-001152	SW2	12V DC,20mA,160gf,4.5x4.0x2.3mm,SPST
2	3705-001226	U675	MCX,JACK,75MOHM,50OHM,0.45DB
2	3710-001105	CN507	2P,1R,1.27mm,SMD-S,AU
2	3710-001105	CN508	2P,1R,1.27mm,SMD-S,AU
2	3710-001595	CN506	18P,1R,0.5mm,SMD-A,AUF
2	3722-001456	CN503	2P,2.6PI,AUF,BLK,-
2	4709-001259	U431	824-849MHZ,13DB,0.65DB,1.5
2	4709-001277	F412	966.5+-13.5MHZ,10.5+-1DB,18DB,1.6X0.85X0.6MM,TP
2	GH41-00331A	MAIN PCB	SCH-N191,-,8L,-,1.0T,118*158,-,-,-,-
2	GH71-00768A	ANT400	-,SPH-A400,C1720,0.1,5.0,2.5,-,-,-,GLD,-
2	GH96-01203A		SCH-N191,-,INDA,PBA NONE SMD ITEMS,-,-,-
3	GH07-00239A	LCD	UG-12B109-FLHTX-D,SCH-N191,128X64,33.4X47.3X4.2MM, B/W,-,0.2X0.25MM,-20TO+60C,-,-
3	GH59-00596A	MIC	SCH-N191,OBG-415L44-C2 N191,-,MIC ASS'Y,2.2KOHM,-,-,-,-,-
3	GH59-00620A	DOME	SCH-N191,SCH-N191 METAL DOME,-,METAL DOME,-,-,-,-,-,-
3	GH73-01549A		SCH-N191,RUBBER,4X4XT1.0,-,-,SIL,-,-,-,-
3	GH73-01589A		SCH-N191,RUBBER,36X30.3X4.2,-,-,BLK,-,-,-,-
3	GH74-03989A		SCH-N191,TAPE,4X2XT0.05,BLK,-,-,-,-
1	GH97-02412B		SCH-N191,-,SEA,WHT,-,-,-,-
2	3001-001199	SPEAKER	0.05W,32OHM,109DB,-

Level	SEC CODE	Design LOC	DESCRIPTIONS
2	GH73-01587A		SCH-N191,RUBBER,7.9X7X5.3,-,-,BLK,-,-,-,-
2	GH74-00152B		SCH-A8800,VINYL(3M4187),T0.2,-,-
2	GH74-03806A		SCH-N191,TAPE,13X4XT0.05,BLK,-,-,-,-
2	GH74-03807A		SCH-N191,TAPE,7X4XT0.05,BLK,-,-,-,-
2	GH74-03969A		SCH-N191,TAPE,10X4XT0.05,BLK,-,-,-,-
2	GH75-01490A		SGH-N618,-,ABS,-,SIL,-,-,-,-
3	GH72-03274A		SGH-N618,ABS,SIL,18.2X3X2,-,-,-,-,-
3	GH73-00904A		SGH-N618,RUBBER,12X2X1.5,-,-,-,WHT,-,-,-,-
2	GH75-02241B		SCH-N191,-,PC,-,WHT,-,-,-,-
3	GH72-04810A		SCH-N182,ABS,SIL,16X3.8X1.7,-,-,-,-,-
3	GH72-04812A		SCH-N182,ACRYL,TRP,12.3X11.5X3.4,-,-,-,-,-
3	GH72-05217B		SCH-N191,PC(G7630),WHT,43X100X9.5,-,-,-,-,-
3	GH72-05218B		SCH-N191,PC(W9348),L/GRY,37X89X1.1,-,-,-,-,-
3	GH72-05220A		SCH-N191,ACRYL,TRP,6.25X3X4,-,-,-,-,-
3	GH72-05953A		SCH-N191,ACRYL,TRP,31X30XT1.2,-,-,-,-,-
3	GH74-00152B		SCH-A8800,VINYL(3M4187),T0.2,-,-
3	GH74-02962A		SCH-N182,TAPE,31.1X30.4XT0.15,TRP,-,-,-,-
3	GH74-02963A		SCH-N182,TAPE,14.2X3.4XT0.15,TRP,-,-,-,-
3	GH74-03650A		SCH-N191,PORON,33X32.4XT0.8,BLK,-,-,-,-
2	GH75-02242A		SCH-N191,-,PC,-,SIL,-,-,-,-
3	GH72-05221A		SCH-N191,RESIN,SIL,10.5X9.8X7,-,-,-,-,-
3	GH72-05222A		SCH-N191,RESIN,TRP,34X8.1X5,-,-,-,-,-
3	GH72-05223A		SCH-N191,RESIN,TRP,34X8.3X5,-,-,-,-,-
3	GH72-05224A		SCH-N191,RESIN,TRP,11.4X4.7X5,-,-,-,-,-
3	GH72-05225A		SCH-N191,RESIN,TRP,33X24X5,-,-,-,-,-
3	GH73-01385A		SCH-N191,RUBBER,35X41XT0.5,-,-,-,SIL,-,-,-,-
1	GH97-02413B		SCH-N191,-,SEA,WHT,-,-,-,-
2	3001-001313		0.5W,8OHM,87DB,750HZ
2	3101-001304		14000RPM,-,3V,85MA
2	GH68-00973A		SCH-A2000,BOHO TAPE,10X4,-,TRP
2	GH72-05136B		SCH-N191,ELASTOMER,WHT,12.2X7.4X4.25,-,-,-,-,-
2	GH74-03320A		SCH-N182,VINYL TAPE,3X5.4XT0.05,TRP,-,-,-,-
2	GH74-03321A		SCH-N182,VINYL TAPE,5X4XT0.05,TRP,-,-,-,-
2	GH74-03322A		SCH-N182,VINYL TAPE,5.5X8.4XT0.05,TRP,-,-,-,-
2	GH74-03572A		SCH-N182,PORON SPONGE,7X7XT1.0,BLK,-,-,-,-
2	GH74-03780A		SCH-N191,TAPE,12X2.5XT0.05,TRP,-,-,-,-
2	GH74-04095A		SCH-N191,PORON,7X3XT1.0,BLK,-,-,-,-

Level	SEC CODE	Design LOC	DESCRIPTIONS
2	GH75-02240B		SCH-N191,-,PC,-,WHT,-,-,-
3	GH70-10633A		SCH-750,STS304,-,T0.3,-,-,-,-,-
3	GH71-01182A		-,SCH-N191,ZNDC1,3.5,6.3,7.9,-,-,-,GLD,-
3	GH72-04815B		SCH-N191,PC(G7630),WHT,13.8X9X6.3,-,-,-,-,-
3	GH72-05226B		SCH-N191,PC(G7630),WHT,99.2X42.3X10.6,-,-,-,-,-
3	GH74-02029A		SGH-N620,MESH,PI12XT0.15,BLK,-,-,-,-
1	GH99-02844A		SCH-N191,-,SEA,-,-,-
2	GG68-10705A		SP-R912,KRAFT,-,W65,L95,-,ORG,-,-,-
2	GH68-00518B		SGH-A100,ART,100G,46,34,-,WHT,-,-,-
2	GH68-00662A		SCH-611,WHITE POLYESTER,61X50,100G,WHT
2	GH68-01778A		SGH-A100,ART,100G,250,100,-,WHT,-,-,-
2	GH69-00842A		SGH-A300,LDPE,T0.06,80,170,TRP,-
2	GH69-00985A		SGH-A300,SW5,-,-,-,-,-,378X279X179
2	GH69-01428A		SCH-N191,IVORY(#300),-,-,-,-,-,180X135X72
2	GH69-01429A		SCH-N191,HIPS,-,175,131,67,-,WHT,-
1	GH99-02969A		SCH-N191,RELIANCE,INDA,MANUAL,-,-
2	6801-001090		INDA,RELIANCE,HINDUSTANI,ART 200,T0.02,W160,L190,2,WARRANTY CARD
2	GH68-03365A		SCH-N191,RELIANCE,ENGLISH,INDA,SNOW WHITE,90,165,-,MANUAL
2	GH69-30518A		PP,T0.06,125*280,SCH-1011
2	GH75-00223K		SGH-A288,-,-,-,IVR,-,-

3. Block Diagram

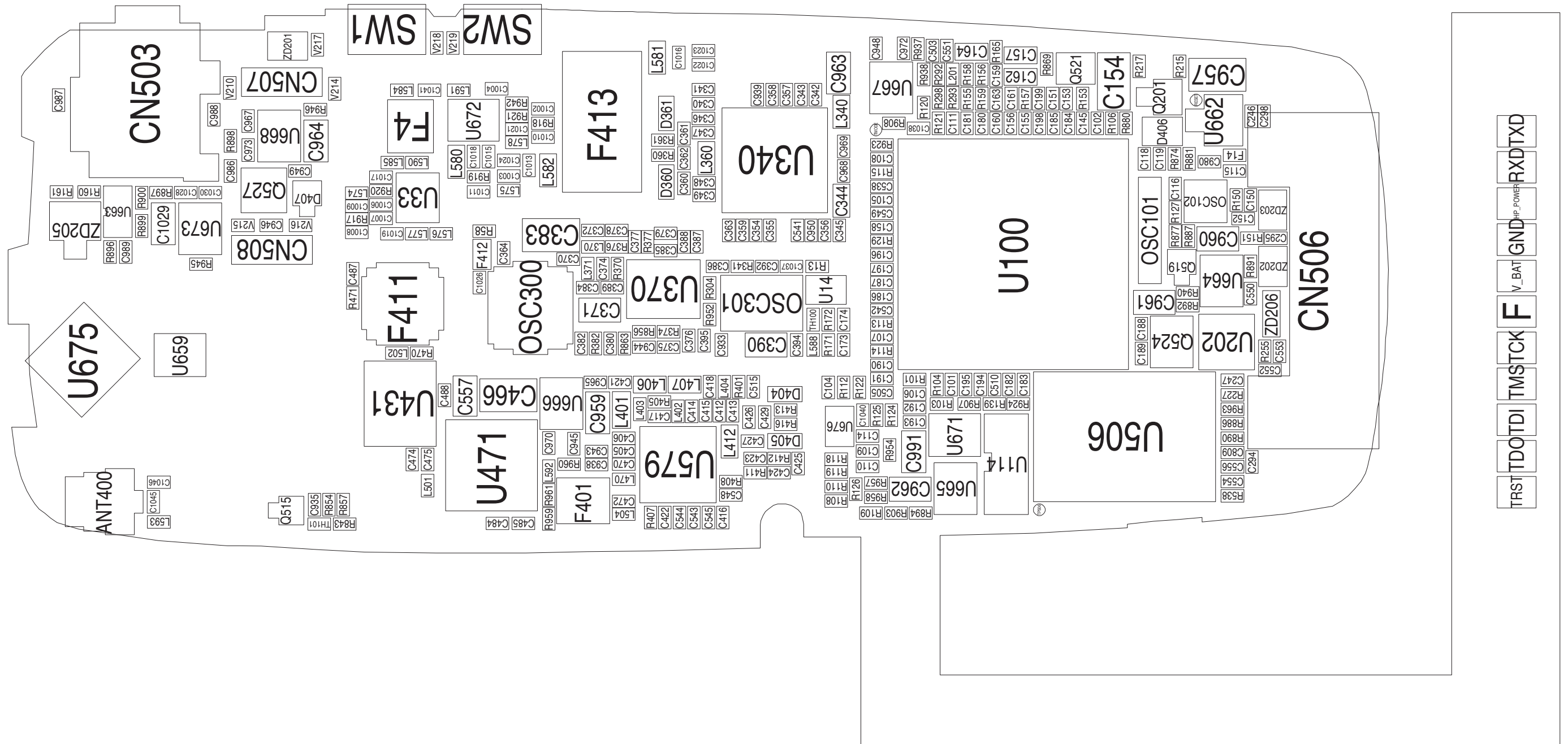


4. PCB Diagram

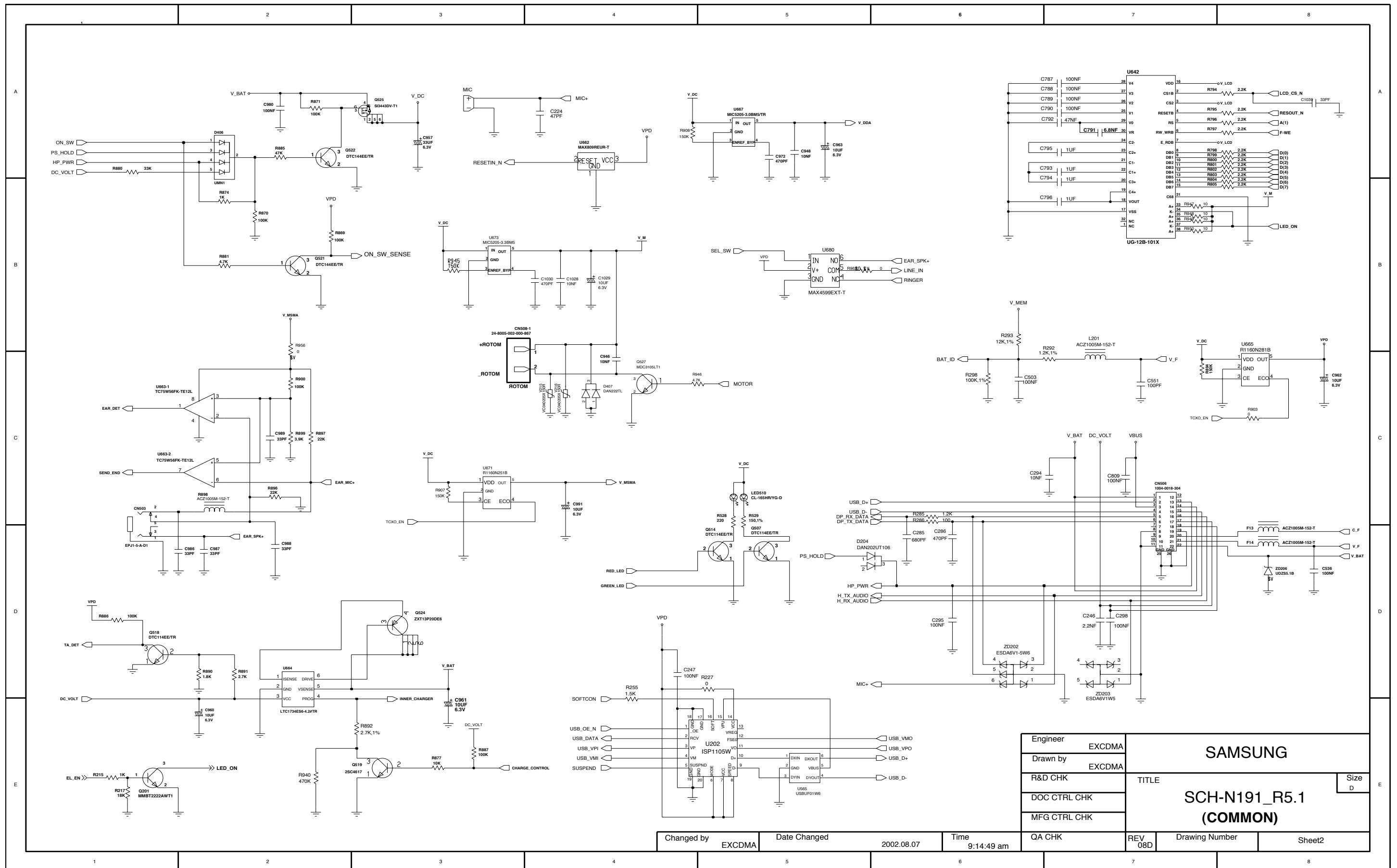
4-1 Main PCB Top Diagram



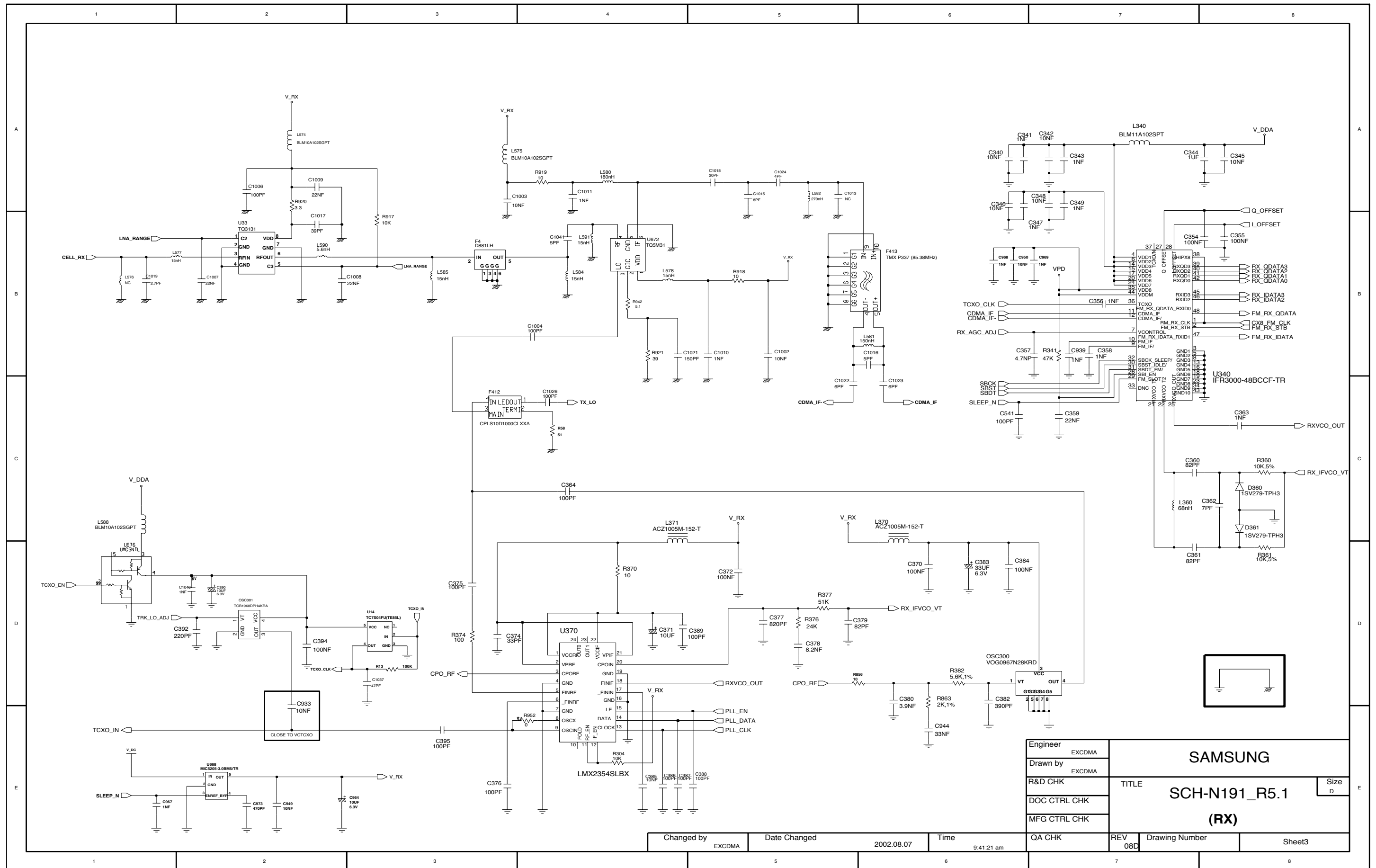
4-2 Main PCB Bottom Diagram



5-2 LOGIC Circuit Diagram 2

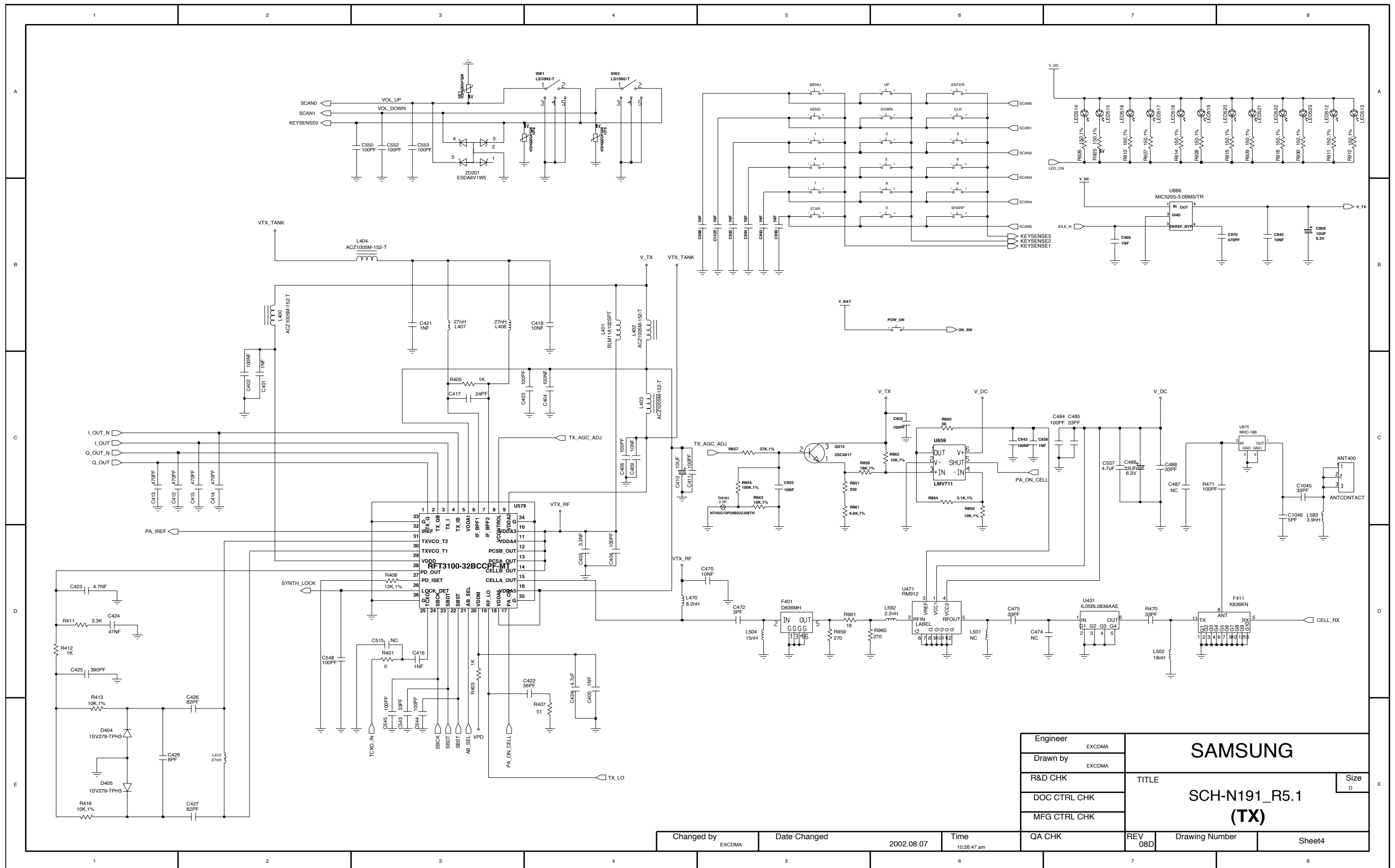


5-3 RF Circuit Diagram 1



Engineer	EXCDMA	SAMSUNG	
Drawn by	EXCDMA		
R&D CHK		TITLE	SCH-N191_R5.1
DOC CTRL CHK			(RX)
MFG CTRL CHK			
QA CHK		REV	080
Changed by	EXCDMA	Date Changed	2002.08.07
		Time	9:41:21 am
		Drawing Number	Sheet3

5-4 RF Circuit Diagram 2



Engineer	EXCDMA	SAMSUNG	TITLE	Size D
Drawn by	EXCDMA			
R&D CHK				
DOC CTRL CHK				
MFG CTRL CHK				
QA CHK	REV 08D	SCH-N191_R5.1 (TX)	Drawing Number	Sheet4

Changed by	Date Changed	Time
EXCDMA	2002.08.07	10:26:47 am