



PORTABLE CELLULAR TELEPHONE SCH-A399

SERVICE Manual

PORTABLE CELLULAR TELEPHONE



CONTENTS

1. Exploded Views and Parts List
2. PCB Diagrams
3. Electrical Parts List
4. Block Diagrams
5. Trouble shooting
6. Circuit Diagram



1. Exploded Views and Parts List

- 1-1 Main
- 1-2 Main Parts List
- 1-3 Travel Adapter
- 1-4 Travel Adapter Parts List
- 1-5 Battery Charger
- 1-6 Test Jig
 - 1-6-1 Test Jig
- 1-7 normal EAR Microphone
- 1-8 Data Kit

2. PCB Diagrams

- 2-1 Main Top
- 2-2 Main Bottom

3. Electrical Parts List

- 3-1 Main Parts List Top
- 3-2 Main Parts List Bottom

4. Block Diagrams

5. Trouble shooting

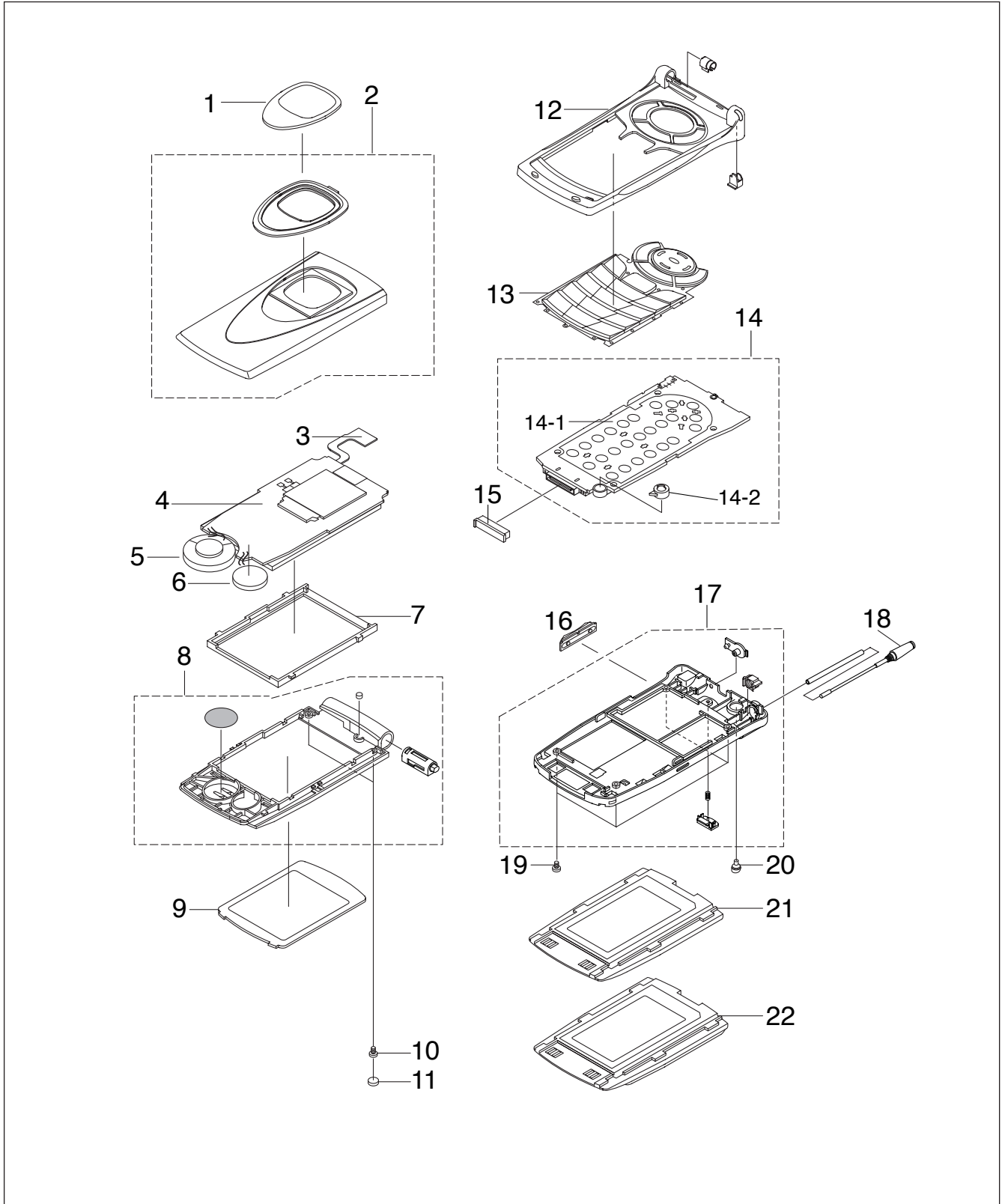
- 5-1 LOGIC Section
 - 5-1-1 No Power
 - 5-1-2 Abnormal initial operation (Normal +2.8V Voltage source)
 - 5-1-3 Abnormal Backlight Operation
 - 5-1-4 Abnormal Key Data Input
 - 5-1-5 Abnormal Key tone
- 5-2 Receiver Section
- 5-3 Transmitter Section

6. Circuit Diagrams

- 6-1 Rx Circuit Diagram
 - 6-2 Tx Circuit Diagram
 - 6-3 Misc Circuit Diagram
 - 6-2 Logic Circuit Diagram
-

1. Exploded Views and Parts List

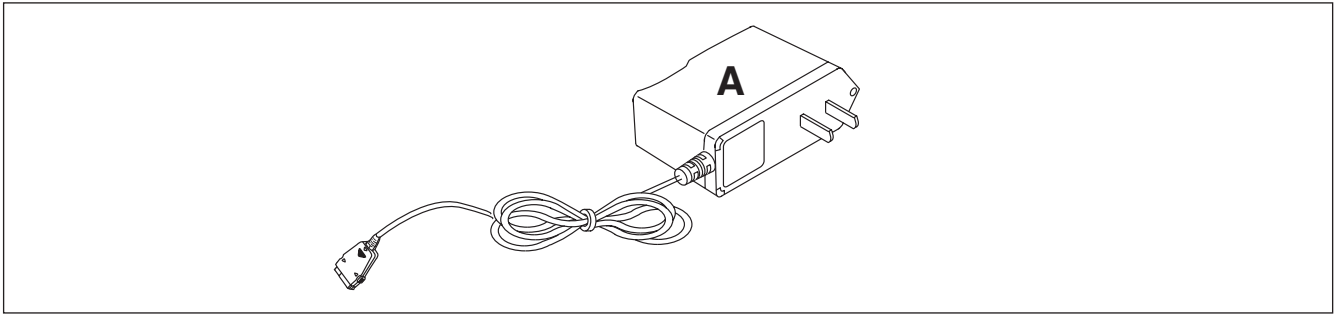
1-1 Main (SCH-A399)



1-2 Main Parts List

Location No.		Description	SEC CODE	Remark
1		WATCH WINDOW LCD	GH72-03591A	
2		FOLDER UPPER	GH75-01440A	
3		CON TO CON	GH59-00289A	
4		LCD	GH07-00128A	
5		SPEAKER	3001-001255	
6		MOTOR ASS'Y	GH31-00022A	
7		WINDOW RUBBER	GH73-00750A	
8		FOLDER LOWER	GH75-01441A	
9		WINDOW LCD	GH72-03592A	
10		SCREW	6001001429	
11		SCREW CAP	GH74-00611B	
12		FRONT COVER	GH75-01442A	
13		KEY PAD	GH75-01614A	
14		MAIN PBA	GH82-00091A	
	14-1	DOME SHEET	GH59-00315A	
	14-2	MIC	GH59-00745A	
15		IF CONNECTOR COVER	GH73-00745A	
16		VOLUME KEY	GH75-01297A	
17		REAR COVER	GH75-01443A	
18		ANTENNA	GH42-00148A	
19		SCREW	6001-001402	
20		MOBILE CAP	GH73-00744A	
21		BATTERY	GH43-00457A	
22		BATTERY	GH43-00458A	

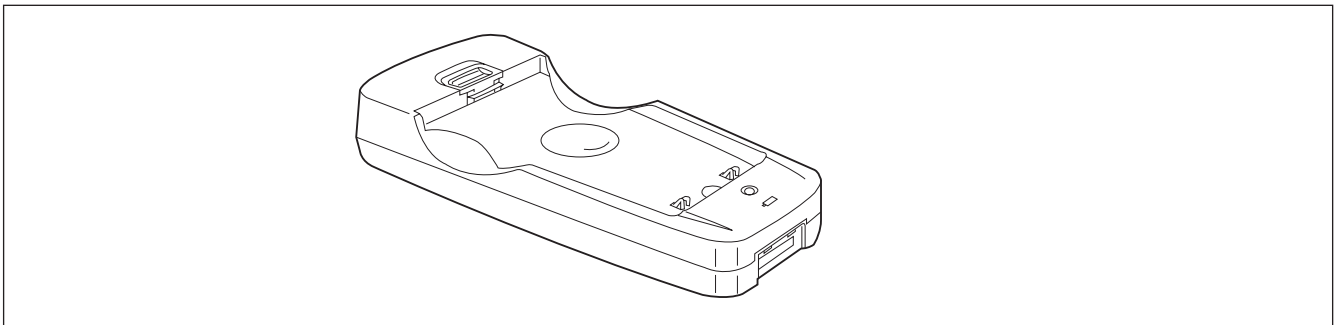
1-3 Travel Adapter



1-4 Travel Adapter Parts List

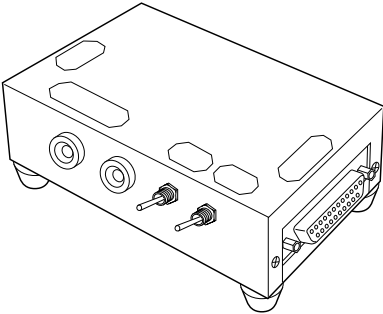
TYPE	SEC CODE	REMARK
A	GH44-00171A	CHINA

1-5 Battery Charger



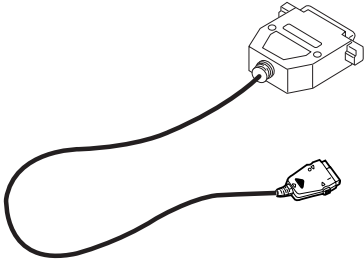
Battery Charger	GH39-00274A
-----------------	-------------

1-6 Test Jig



TEST JIG

GH80-10502C



TEST JIG CABLE

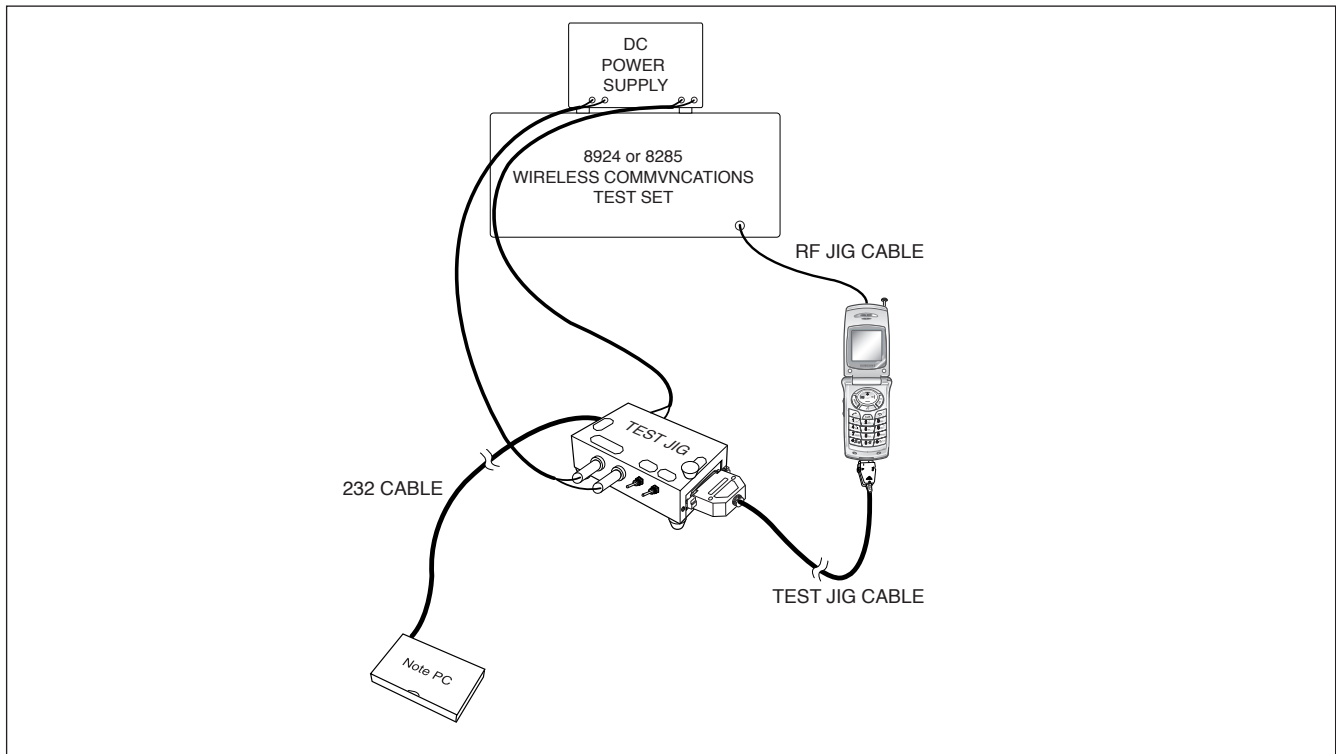
GH39-00122A



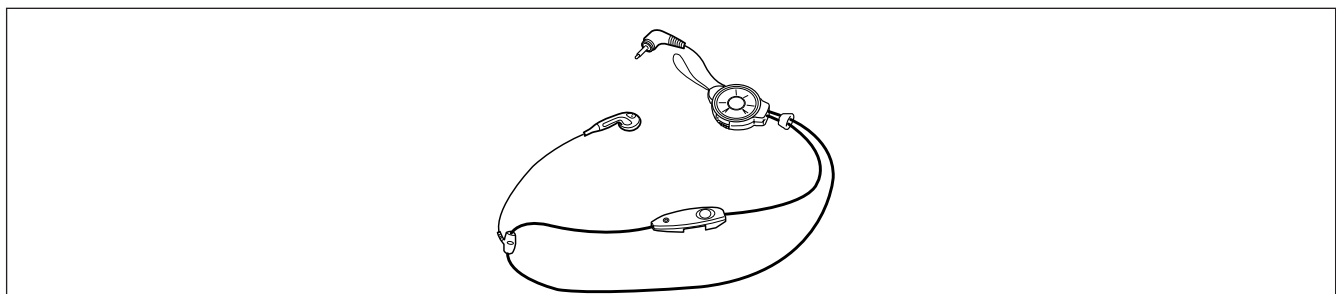
RF JIG CABLE

GH39-00077A

1-6-1 Test Jig



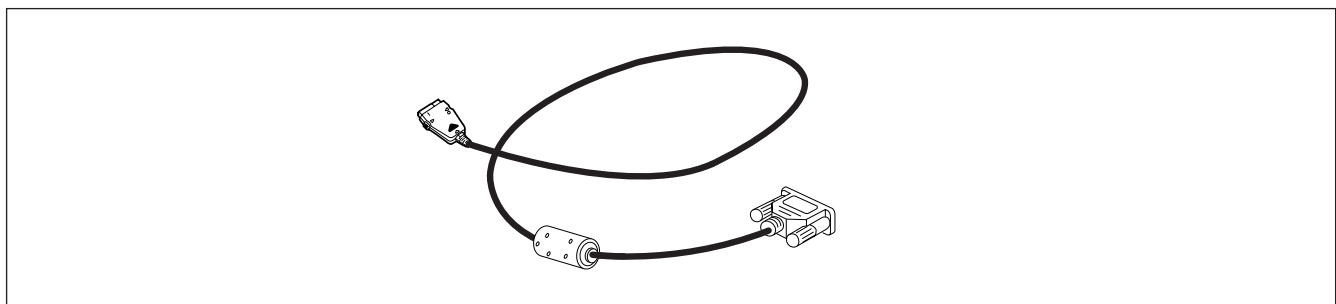
1-7 Normal EAR Microphone



Wearable EAR Microphone

GH96-00922B

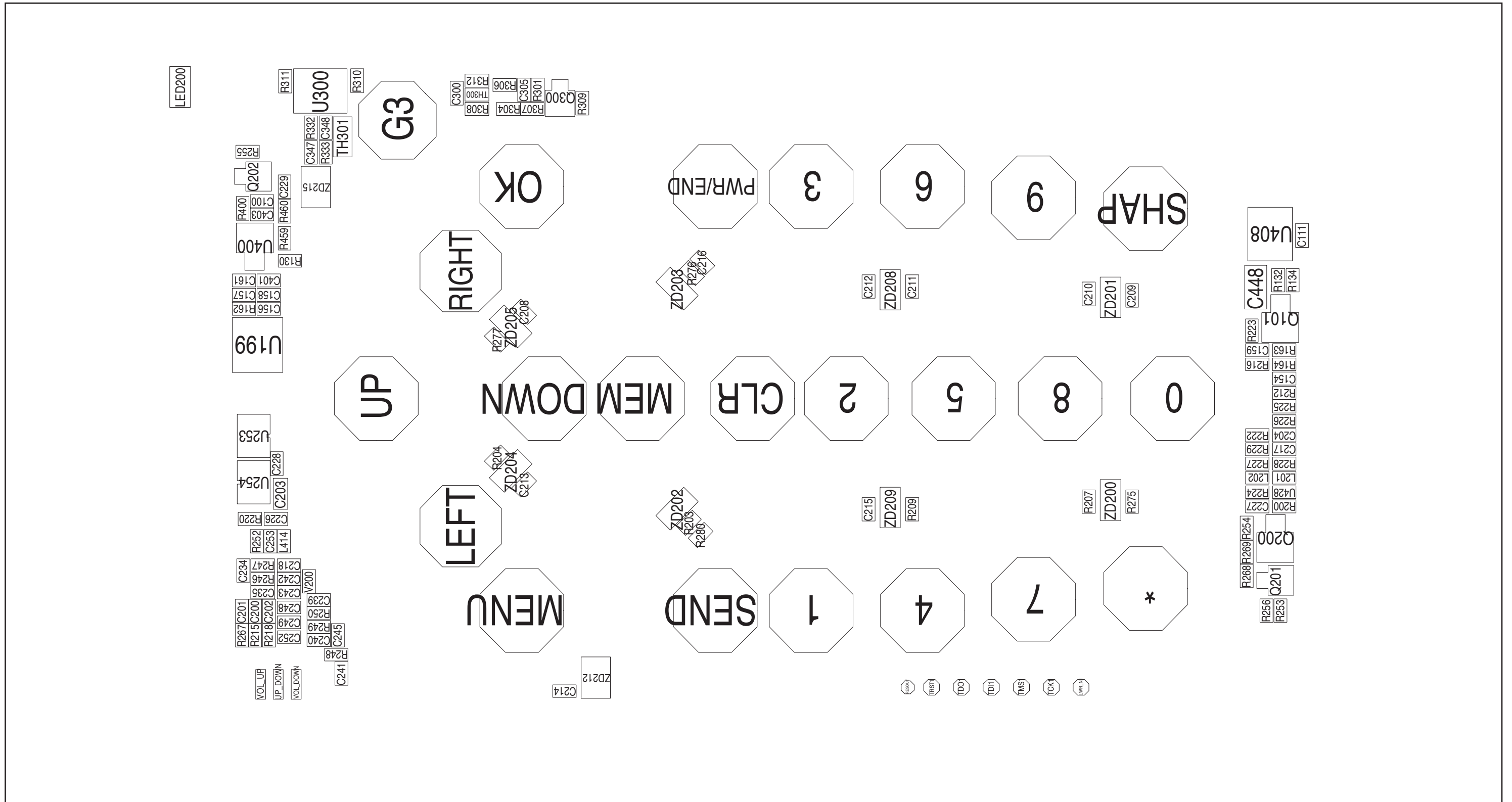
1-8 Data Kit

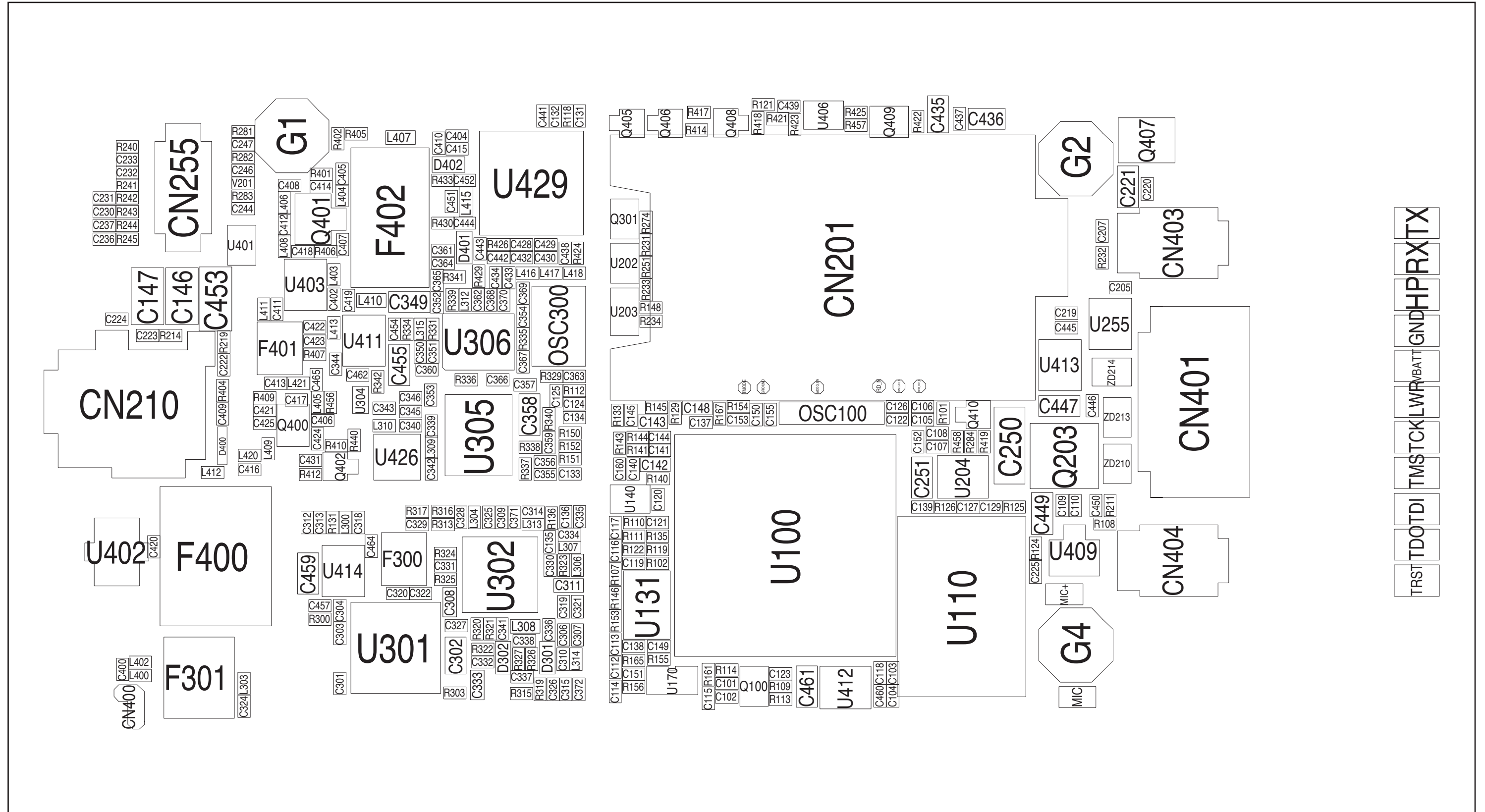


DATA KIT

2. PCB Diagrams

2-1 Main Top





3. Electrical Parts List

Level	SEC CODE	Design LOC	DESCRIPTIONS
0			SCH-A399S/CUH
1	6001-001478		PH,+,M1.4,L3,NYLOK(BLK),SWRCH18A,FP
1	GH41-00228A		SCH-A399,POLYIMIDE,1L,-,-,10.95X13.25
1	GH42-00148A		SCH-A399 ANTENNA,SCH-A399,824~894MHZ,-,50OHM
1	GH43-00457A		1UF383450P(550MAH),SCH-A399,LI-ION,550MAH
1	GH43-00458A		USO63450G3,SCH-A399,LI-ION,900MAH,-,4.2V,-,3.7V
1	GH44-00171A		TA014G,SGH-N288,AC/DC,-,-,-,85-264VAC,50/60Hz
1	GH44-00274A		DCH073BLC,SCH-A399,DC/DC,-,-,-,STD,5.0V,-,4.2V
1	GH59-00286A		SCH-A399,OBG-18L44-C33,-,MIC,FPC,-,-,-,7.75X5.8MM
1	GH59-00313A		SCH-A399,SCH-A399 METAL DOME ,-,METAL DOME
1	GH59-00315A		SCH-A399,SCH-A399 DOME SHEET,SCH-A399,SCH-A399 DOME SHEET
1	GH68-02588A		SCH-A399,POLYESTER,T0.05,51.3,33.3,-,SIL,-,-,-
1	GH73-00744A		SCH-A303,CR RUBBER,5.28X3.57,L/GRY,80,-
1	GH73-00803A		SCH-X350,RUBBER,-,D/GRY,50,-
1	GH74-01161A		SCH-X120,VINYL,T0.1,-,-
1	GH74-01432A		SCH-X200,VINYL,51X81.8XT0.08,TRP,-
1	GH75-00223J		SGH-2300,-,L/GRY
1	GH75-01297A		SPH-A330,-,ASS`Y,-,SIL,-,-,-
2	GH72-02578A		SCH-A303,-,ABS,CR PLT,-,-,-
2	GH73-00748A		SCH-A303,CR RUBBER,17.4X2.56,BLK,-,-
1	GH75-01614A		SCH-A399,-,-,-,SIL,-,-,-
2	GH72-02631A		SCH-A303,-,ABS,TRP,-,-,-
2	GH72-02633A		SCH-A303,-,EF TYPE,SIL,-,-,-
2	GH72-03072A		SCH-A303,ABS,SIL,-,-,-,-,-
2	GH72-03073A		SCH-A303,ABS,TRP,-,-,-,-,-
2	GH72-03074A		SCH-A303,ABS,TRP,-,-,-,-,-
1	GH92-01236A		SCH-A399,SAMSUNG,CHNA,MAIN PBA,-,-,-,-,-
2	0405-001035	D301	1SV279,15V,3nA,USC,TP
2	0405-001035	D302	1SV279,15V,3nA,USC,TP
2	0405-001035	D401	1SV279,15V,3nA,USC,TP
2	0405-001035	D402	1SV279,15V,3nA,USC,TP
2	0406-001084	ZD210	SMF05,6/-/V,200W,-
2	0406-001084	ZD212	SMF05,6/-/V,200W,-
2	0406-001084	ZD213	SMF05,6/-/V,200W,-
2	0406-001084	ZD214	SMF05,6/-/V,200W,-
2	0406-001084	ZD215	SMF05,6/-/V,200W,-
2	0407-001007	U406	UMN1,80V,25mA,CA4-2,UM5,TR
2	0409-001016	D400	BAR63-02W,50V,100mA,SCD-80,TP
2	0501-000162	Q101	2SA1576,PNP,200MW,SOT-323,TP,180-390
2	0501-000218	U400	2SC4081,NPN,200mW,UMT,TP,180-3
2	0501-000225	Q201	2SC4617,NPN,200mW,EM3,TP,120-5
2	0501-000225	Q300	2SC4617,NPN,200mW,EM3,TP,120-5
2	0501-002110	Q401	AT32033,NPN,200mW,SOT-23,TP,70
2	0501-002202	Q200	MMBT2222AWT1,NPN,150mW,SOT-323
2	0501-002346	Q203	2SB1427,PNP,500mW,SOT-89,TP,390-820
2	0504-000167	Q406	RN1102,NPN,100MW,10K/10K,SSM,TP
2	0504-000167	Q408	RN1102,NPN,100MW,10K/10K,SSM,TP

Level	SEC CODE	Design LOC	DESCRIPTIONS
2	0504-000167	Q410	RN1102,NPN,100MW,10K/10K,SSM,TP
2	0504-000168	Q409	RN1104,NPN,100MW,47K/47K,SSM,TP
2	0504-000172	Q202	RN2104,PNP,100MW,47K/47K,SSM,TP
2	0504-001016	Q405	DTA114EE,PNP,150MW,10K/10K,SSM,TP
2	0505-001119	Q400	2SK2685,P,6V,20mA,-,100mW,CPMA
2	0505-001165	Q407	SI3443DV,P,-20V,+3.5mA,65mohm
2	0506-000143	U203	UMD3N,NPN/PNP,2,150mW,SC-88,TP,30-
2	0506-001004	Q100	UMC5N,NPN/PNP,2,50V,-,-100mA,3
2	0506-001004	Q301	UMC5N,NPN/PNP,2,50V,-,-100mA,3
2	0506-001004	U401	UMC5N,NPN/PNP,2,50V,-,-100mA,3
2	0601-001226	LED200	CHIP,RED,1.2x0.8mm,660nm
2	0601-001565	ZD200	CHIP,GRN,1.1X0.8MM,520NM
2	0601-001565	ZD201	CHIP,GRN,1.1X0.8MM,520NM
2	0601-001565	ZD202	CHIP,GRN,1.1X0.8MM,520NM
2	0601-001565	ZD203	CHIP,GRN,1.1X0.8MM,520NM
2	0601-001565	ZD204	CHIP,GRN,1.1X0.8MM,520NM
2	0601-001565	ZD205	CHIP,GRN,1.1X0.8MM,520NM
2	0601-001565	ZD208	CHIP,GRN,1.1X0.8MM,520NM
2	0601-001565	ZD209	CHIP,GRN,1.1X0.8MM,520NM
2	0801-000794	U202	7S08,AND GATE,SOT-25,5P,63MIL,
2	0801-002345	U140	7S04,INVERTER,SOT-353,5P,49MIL,SINGLE,TP,PLASTIC
2	1001-001155	U253	NC7SB3157P6X,CMOS,SC70,6P,49MIL,-,5.5V,-40to+85C
2	1001-001155	U254	NC7SB3157P6X,CMOS,SC70,6P,49MIL,-,5.5V,-40to+85C
2	1009-001006	U199	A3210ELH,SC-74A,3P,-,TP,-,5V,1MA,-40TO+85C
2	1103-001184	U131	24C256,32Kx8Bit,dBGA,8P,92MIL,-,2.7V,-,PLASTIC
2	1109-001191	U110	42553,4MX8/512KX8BIT,FBGA,73P,-,85/90NS,3V,10%
2	1201-001248	U426	0916,SOT-143,4P,-,2.7V,-,6Vd
2	1201-001384	U403	MD57-0001,SOT-26,6P,114MIL,SIN
2	1201-001491	U301	912,LCC,7P,226MIL,SINGLE,28dB,PLASTIC,4.2V,-,30to+85C
2	1201-001764	U300	SOT23-6,TP,6P,63MIL,SINGLE,-,PLASTIC,5.5V,-,40TO+85C
2	1202-001036	U170	75W56,SSOP,8P,90MIL,DUAL,+7V,CMOS,PLASTIC,7V,200MW
2	1203-001285	U411	5205,SOT-23,5P,150MIL,PLASTIC,
2	1203-001285	U414	5205,SOT-23,5P,150MIL,PLASTIC,
2	1203-001511	U409	809,SOT-23,3P,-,PLASTIC,0.3/6.
2	1203-001908	U408	76928,SOT-23,5P,-,PLASTIC,2.716/2.884V,-,40to125C,750mA,-,TP
2	1203-001908	U413	76928,SOT-23,5P,-,PLASTIC,2.716/2.884V,-,40to125C,750mA,-,TP
2	1203-002127	U204	1734,SOT-23,6P,150MIL,PLASTIC,4.7/5.3V,-,0to+70C,1A,-,TP
2	1203-002208	U412	TPS76925,SOT-23,5P,65MIL,PLASTIC,1.2V/5.5V,-,40TO+125C,100MA
2	1204-001581	U429	IFR3000-48BCCF-TR,BCC,48P,-,PLASTIC,3.5V,-,30+85CC,TR,RX
2	1204-001682	U302	RFT3100,BCC,32P,196MIL,PLASTIC,3V,-,30to+85C,TP,-
2	1205-002032	U100	MSM3100C,FBGA,208P,-,PLASTIC,3.7V,-,40TO+85C,TP,-
2	1209-001282	U306	S1M8821,QFN,24P,-,PLASTIC,5.5V,-,40to+85C,TR
2	1404-001152	TH301	10KOHM,5%,3380K,1MW/C,TP
2	1404-001196	TH300	2.2Kohm,+5%,3950K,1mW/C,TP
2	1405-001082	V201	5.6V,20A,1x0.5x0.6mm,TP
2	1405-001093	C240	14V,20A,1x0.5x0.6mm,TP
2	1405-001093	C241	14V,20A,1x0.5x0.6mm,TP
2	1405-001093	V200	14V,20A,1x0.5x0.6mm,TP
2	2007-000138	R211	100ohm,5%,1/16W,DA,TP,1005

Level	SEC CODE	Design LOC	DESCRIPTIONS
2	2007-000138	R216	100ohm,5%,1/16W,DA,TP,1005
2	2007-000138	R222	100ohm,5%,1/16W,DA,TP,1005
2	2007-000138	R223	100ohm,5%,1/16W,DA,TP,1005
2	2007-000138	R226	100ohm,5%,1/16W,DA,TP,1005
2	2007-000138	R429	100ohm,5%,1/16W,DA,TP,1005
2	2007-000139	R407	220ohm,5%,1/16W,DA,TP,1005
2	2007-000140	R118	1Kohm,5%,1/16W,DA,TP,1005
2	2007-000140	R119	1Kohm,5%,1/16W,DA,TP,1005
2	2007-000140	R135	1Kohm,5%,1/16W,DA,TP,1005
2	2007-000140	R136	1Kohm,5%,1/16W,DA,TP,1005
2	2007-000140	R150	1Kohm,5%,1/16W,DA,TP,1005
2	2007-000140	R151	1Kohm,5%,1/16W,DA,TP,1005
2	2007-000140	R152	1Kohm,5%,1/16W,DA,TP,1005
2	2007-000140	R153	1Kohm,5%,1/16W,DA,TP,1005
2	2007-000140	R212	1Kohm,5%,1/16W,DA,TP,1005
2	2007-000140	R268	1Kohm,5%,1/16W,DA,TP,1005
2	2007-000140	R323	1Kohm,5%,1/16W,DA,TP,1005
2	2007-000140	R423	1Kohm,5%,1/16W,DA,TP,1005
2	2007-000141	R154	2.2Kohm,5%,1/16W,DA,TP,1005
2	2007-000141	R167	2.2Kohm,5%,1/16W,DA,TP,1005
2	2007-000141	R224	2.2Kohm,5%,1/16W,DA,TP,1005
2	2007-000143	R102	4.7Kohm,5%,1/16W,DA,TP,1005
2	2007-000147	R107	8.2Kohm,5%,1/16W,DA,TP,1005
2	2007-000148	R114	10Kohm,5%,1/16W,DA,TP,1005
2	2007-000148	R121	10Kohm,5%,1/16W,DA,TP,1005
2	2007-000148	R122	10Kohm,5%,1/16W,DA,TP,1005
2	2007-000148	R126	10Kohm,5%,1/16W,DA,TP,1005
2	2007-000148	R129	10Kohm,5%,1/16W,DA,TP,1005
2	2007-000148	R130	10Kohm,5%,1/16W,DA,TP,1005
2	2007-000148	R141	10Kohm,5%,1/16W,DA,TP,1005
2	2007-000148	R144	10Kohm,5%,1/16W,DA,TP,1005
2	2007-000148	R164	10Kohm,5%,1/16W,DA,TP,1005
2	2007-000148	R231	10Kohm,5%,1/16W,DA,TP,1005
2	2007-000148	R234	10Kohm,5%,1/16W,DA,TP,1005
2	2007-000148	R253	10Kohm,5%,1/16W,DA,TP,1005
2	2007-000148	R254	10Kohm,5%,1/16W,DA,TP,1005
2	2007-000148	R269	10Kohm,5%,1/16W,DA,TP,1005
2	2007-000148	R308	10Kohm,5%,1/16W,DA,TP,1005
2	2007-000148	R315	10Kohm,5%,1/16W,DA,TP,1005
2	2007-000148	R400	10Kohm,5%,1/16W,DA,TP,1005
2	2007-000148	R402	10Kohm,5%,1/16W,DA,TP,1005
2	2007-000148	R430	10Kohm,5%,1/16W,DA,TP,1005
2	2007-000148	R433	10Kohm,5%,1/16W,DA,TP,1005
2	2007-000153	R200	22Kohm,5%,1/16W,DA,TP,1005
2	2007-000153	R401	22Kohm,5%,1/16W,DA,TP,1005
2	2007-000153	R414	22Kohm,5%,1/16W,DA,TP,1005
2	2007-000155	R301	27Kohm,5%,1/16W,DA,TP,1005
2	2007-000155	R417	27Kohm,5%,1/16W,DA,TP,1005
2	2007-000155	R419	27Kohm,5%,1/16W,DA,TP,1005

Level	SEC CODE	Design LOC	DESCRIPTIONS
2	2007-000156	R163	30Kohm,5%,1/16W,DA,TP,1005
2	2007-000157	R425	47Kohm,5%,1/16W,DA,TP,1005
2	2007-000157	R426	47Kohm,5%,1/16W,DA,TP,1005
2	2007-000162	R110	100Kohm,5%,1/16W,DA,TP,1005
2	2007-000162	R124	100Kohm,5%,1/16W,DA,TP,1005
2	2007-000162	R125	100Kohm,5%,1/16W,DA,TP,1005
2	2007-000162	R132	100Kohm,5%,1/16W,DA,TP,1005
2	2007-000162	R134	100Kohm,5%,1/16W,DA,TP,1005
2	2007-000162	R146	100Kohm,5%,1/16W,DA,TP,1005
2	2007-000162	R155	100Kohm,5%,1/16W,DA,TP,1005
2	2007-000162	R161	100Kohm,5%,1/16W,DA,TP,1005
2	2007-000162	R165	100Kohm,5%,1/16W,DA,TP,1005
2	2007-000162	R306	100Kohm,5%,1/16W,DA,TP,1005
2	2007-000162	R418	100Kohm,5%,1/16W,DA,TP,1005
2	2007-000162	R421	100Kohm,5%,1/16W,DA,TP,1005
2	2007-000162	R458	100Kohm,5%,1/16W,DA,TP,1005
2	2007-000165	R319	200Kohm,5%,1/16W,DA,TP,1005
2	2007-000168	R256	470Kohm,5%,1/16W,DA,TP,1005
2	2007-000168	R422	470Kohm,5%,1/16W,DA,TP,1005
2	2007-000168	R424	470Kohm,5%,1/16W,DA,TP,1005
2	2007-000169	R143	510Kohm,5%,1/16W,DA,TP,1005
2	2007-000172	R303	10ohm,5%,1/16W,DA,TP,1005
2	2007-000172	R335	10ohm,5%,1/16W,DA,TP,1005
2	2007-000173	R219	22ohm,5%,1/16W,DA,TP,1005
2	2007-000173	R220	22ohm,5%,1/16W,DA,TP,1005
2	2007-000173	R329	22ohm,5%,1/16W,DA,TP,1005
2	2007-000173	R331	22ohm,5%,1/16W,DA,TP,1005
2	2007-000173	R338	22ohm,5%,1/16W,DA,TP,1005
2	2007-000775	R460	33Kohm,5%,1/16W,DA,TP,1005
2	2007-000831	R405	39Kohm,5%,1/16W,DA,TP,1005
2	2007-000831	R457	39Kohm,5%,1/16W,DA,TP,1005
2	2007-000932	R225	470ohm,5%,1/16W,DA,TP,1005
2	2007-000932	R233	470ohm,5%,1/16W,DA,TP,1005
2	2007-001284	R300	4.7ohm,5%,1/16W,DA,TP,1005
2	2007-001288	R406	18ohm,5%,1/16W,DA,TP,1005
2	2007-001298	R325	51ohm,5%,1/16W,DA,TP,1005
2	2007-001298	R336	51ohm,5%,1/16W,DA,TP,1005
2	2007-001298	R342	51ohm,5%,1/16W,DA,TP,1005
2	2007-001306	R409	150ohm,5%,1/16W,DA,TP,1005
2	2007-001307	R215	180ohm,5%,1/16W,DA,TP,1005
2	2007-001307	R218	180ohm,5%,1/16W,DA,TP,1005
2	2007-001307	R267	180ohm,5%,1/16W,DA,TP,1005
2	2007-001308	R203	200ohm,5%,1/16W,DA,TP,1005
2	2007-001308	R204	200ohm,5%,1/16W,DA,TP,1005
2	2007-001308	R207	200ohm,5%,1/16W,DA,TP,1005
2	2007-001308	R209	200ohm,5%,1/16W,DA,TP,1005
2	2007-001308	R275	200ohm,5%,1/16W,DA,TP,1005
2	2007-001308	R276	200ohm,5%,1/16W,DA,TP,1005
2	2007-001308	R277	200ohm,5%,1/16W,DA,TP,1005

Level	SEC CODE	Design LOC	DESCRIPTIONS
2	2007-001308	R280	200ohm,5%,1/16W,DA,TP,1005
2	2007-001313	R309	330ohm,5%,1/16W,DA,TP,1005
2	2007-001317	R341	910ohm,5%,1/16W,DA,TP,1005
2	2007-001319	R133	1.2Kohm,5%,1/16W,DA,TP,1005
2	2007-001319	R162	1.2Kohm,5%,1/16W,DA,TP,1005
2	2007-001319	R240	1.2Kohm,5%,1/16W,DA,TP,1005
2	2007-001319	R241	1.2Kohm,5%,1/16W,DA,TP,1005
2	2007-001319	R242	1.2Kohm,5%,1/16W,DA,TP,1005
2	2007-001319	R243	1.2Kohm,5%,1/16W,DA,TP,1005
2	2007-001319	R244	1.2Kohm,5%,1/16W,DA,TP,1005
2	2007-001319	R245	1.2Kohm,5%,1/16W,DA,TP,1005
2	2007-001319	R246	1.2Kohm,5%,1/16W,DA,TP,1005
2	2007-001319	R247	1.2Kohm,5%,1/16W,DA,TP,1005
2	2007-001319	R252	1.2Kohm,5%,1/16W,DA,TP,1005
2	2007-001319	R281	1.2Kohm,5%,1/16W,DA,TP,1005
2	2007-001319	R282	1.2Kohm,5%,1/16W,DA,TP,1005
2	2007-001319	R283	1.2Kohm,5%,1/16W,DA,TP,1005
2	2007-001320	R404	1.8Kohm,5%,1/16W,DA,TP,1005
2	2007-001325	R131	3.3Kohm,5%,1/16W,DA,TP,1005
2	2007-001333	R111	18Kohm,5%,1/16W,DA,TP,1005
2	2007-001339	R140	180Kohm,5%,1/16W,DA,TP,1005
2	2007-001339	R145	180Kohm,5%,1/16W,DA,TP,1005
2	2007-002796	R108	510ohm,5%,1/16W,DA,TP,1005
2	2007-002796	R156	510ohm,5%,1/16W,DA,TP,1005
2	2007-007001	R340	3.9KOHM,5%,1/16W,DA,TP,1005
2	2007-007009	R255	75OHM,5%,1/16W,DA,TP,1005
2	2007-007009	R410	75OHM,5%,1/16W,DA,TP,1005
2	2007-007107	R113	100Kohm,1%,1/16W,DA,TP,1005
2	2007-007135	R307	18Kohm,1%,1/16W,DA,TP,1005
2	2007-007136	R332	4.7Kohm,1%,1/16W,DA,TP,1005
2	2007-007137	R228	1.2Kohm,1%,1/16W,DA,TP,1005
2	2007-007139	R229	47Kohm,1%,1/16W,DA,TP,1005
2	2007-007142	R311	10Kohm,1%,1/16W,DA,TP,1005
2	2007-007142	R326	10Kohm,1%,1/16W,DA,TP,1005
2	2007-007142	R327	10Kohm,1%,1/16W,DA,TP,1005
2	2007-007306	R112	100ohm,1%,1/16W,DA,TP,1005
2	2007-007308	R333	33Kohm,1%,1/16W,DA,TP,1005
2	2007-007309	R320	12Kohm,1%,1/16W,DA,TP,1005
2	2007-007313	R312	6.8Kohm,1%,1/16W,DA,TP,1005
2	2007-007316	R284	3.3Kohm,1%,1/16W,DA,TP,1005
2	2007-007470	R304	7.5Kohm,1%,1/16W,DA,TP,1005
2	2007-007529	R109	91Kohm,1%,1/16W,DA,TP,1005
2	2007-007588	R322	1.8Kohm,1%,1/16W,DA,TP,1005
2	2007-007766	R310	2KOHM,1%,1/16W,DA,TP,1005
2	2007-007771	R101	0OHM,5%,1/16W,DA,TP,1005
2	2007-007771	R148	0OHM,5%,1/16W,DA,TP,1005
2	2007-007771	R214	0OHM,5%,1/16W,DA,TP,1005
2	2007-007771	R232	0OHM,5%,1/16W,DA,TP,1005
2	2007-007771	R248	0OHM,5%,1/16W,DA,TP,1005

Level	SEC CODE	Design LOC	DESCRIPTIONS
2	2007-007771	R249	0OHM,5%,1/16W,DA,TP,1005
2	2007-007771	R250	0OHM,5%,1/16W,DA,TP,1005
2	2007-007771	R251	0OHM,5%,1/16W,DA,TP,1005
2	2007-007771	R274	0OHM,5%,1/16W,DA,TP,1005
2	2007-007771	R313	0OHM,5%,1/16W,DA,TP,1005
2	2007-007771	R321	0OHM,5%,1/16W,DA,TP,1005
2	2007-007771	R324	0OHM,5%,1/16W,DA,TP,1005
2	2007-007771	R337	0OHM,5%,1/16W,DA,TP,1005
2	2007-007771	R339	0OHM,5%,1/16W,DA,TP,1005
2	2007-007771	R440	0OHM,5%,1/16W,DA,TP,1005
2	2007-007791	R227	9.1KOHM,1%,1/16W,DA,TP,1005
2	2203-000233	C123	0.1nF,5%,50V,NP0,TP,1005
2	2203-000233	C127	0.1nF,5%,50V,NP0,TP,1005
2	2203-000233	C227	0.1nF,5%,50V,NP0,TP,1005
2	2203-000233	C244	0.1nF,5%,50V,NP0,TP,1005
2	2203-000233	C245	0.1nF,5%,50V,NP0,TP,1005
2	2203-000233	C246	0.1nF,5%,50V,NP0,TP,1005
2	2203-000233	C300	0.1nF,5%,50V,NP0,TP,1005
2	2203-000233	C312	0.1nF,5%,50V,NP0,TP,1005
2	2203-000233	C314	0.1nF,5%,50V,NP0,TP,1005
2	2203-000233	C318	0.1nF,5%,50V,NP0,TP,1005
2	2203-000233	C320	0.1nF,5%,50V,NP0,TP,1005
2	2203-000233	C325	0.1nF,5%,50V,NP0,TP,1005
2	2203-000233	C329	0.1nF,5%,50V,NP0,TP,1005
2	2203-000233	C340	0.1nF,5%,50V,NP0,TP,1005
2	2203-000233	C342	0.1nF,5%,50V,NP0,TP,1005
2	2203-000233	C343	0.1nF,5%,50V,NP0,TP,1005
2	2203-000233	C344	0.1nF,5%,50V,NP0,TP,1005
2	2203-000233	C346	0.1nF,5%,50V,NP0,TP,1005
2	2203-000233	C353	0.1nF,5%,50V,NP0,TP,1005
2	2203-000233	C360	0.1nF,5%,50V,NP0,TP,1005
2	2203-000233	C362	0.1nF,5%,50V,NP0,TP,1005
2	2203-000233	C366	0.1nF,5%,50V,NP0,TP,1005
2	2203-000233	C368	0.1nF,5%,50V,NP0,TP,1005
2	2203-000233	C369	0.1nF,5%,50V,NP0,TP,1005
2	2203-000233	C370	0.1nF,5%,50V,NP0,TP,1005
2	2203-000233	C372	0.1nF,5%,50V,NP0,TP,1005
2	2203-000233	C406	0.1nF,5%,50V,NP0,TP,1005
2	2203-000233	C424	0.1nF,5%,50V,NP0,TP,1005
2	2203-000233	C443	0.1nF,5%,50V,NP0,TP,1005
2	2203-000254	C100	10nF,10%,16V,X7R,TP,1005,-
2	2203-000254	C101	10nF,10%,16V,X7R,TP,1005,-
2	2203-000254	C103	10nF,10%,16V,X7R,TP,1005,-
2	2203-000254	C105	10nF,10%,16V,X7R,TP,1005,-
2	2203-000254	C107	10nF,10%,16V,X7R,TP,1005,-
2	2203-000254	C109	10nF,10%,16V,X7R,TP,1005,-
2	2203-000254	C112	10nF,10%,16V,X7R,TP,1005,-
2	2203-000254	C114	10nF,10%,16V,X7R,TP,1005,-
2	2203-000254	C116	10nF,10%,16V,X7R,TP,1005,-

Level	SEC CODE	Design LOC	DESCRIPTIONS
2	2203-000254	C118	10nF,10%,16V,X7R,TP,1005,-
2	2203-000254	C121	10nF,10%,16V,X7R,TP,1005,-
2	2203-000254	C125	10nF,10%,16V,X7R,TP,1005,-
2	2203-000254	C131	10nF,10%,16V,X7R,TP,1005,-
2	2203-000254	C136	10nF,10%,16V,X7R,TP,1005,-
2	2203-000254	C138	10nF,10%,16V,X7R,TP,1005,-
2	2203-000254	C158	10nF,10%,16V,X7R,TP,1005,-
2	2203-000254	C217	10nF,10%,16V,X7R,TP,1005,-
2	2203-000254	C222	10nF,10%,16V,X7R,TP,1005,-
2	2203-000254	C226	10nF,10%,16V,X7R,TP,1005,-
2	2203-000254	C301	10nF,10%,16V,X7R,TP,1005,-
2	2203-000254	C305	10nF,10%,16V,X7R,TP,1005,-
2	2203-000254	C326	10nF,10%,16V,X7R,TP,1005,-
2	2203-000254	C335	10nF,10%,16V,X7R,TP,1005,-
2	2203-000254	C339	10nF,10%,16V,X7R,TP,1005,-
2	2203-000254	C347	10nF,10%,16V,X7R,TP,1005,-
2	2203-000254	C350	10nF,10%,16V,X7R,TP,1005,-
2	2203-000254	C367	10nF,10%,16V,X7R,TP,1005,-
2	2203-000254	C405	10nF,10%,16V,X7R,TP,1005,-
2	2203-000254	C422	10nF,10%,16V,X7R,TP,1005,-
2	2203-000254	C428	10nF,10%,16V,X7R,TP,1005,-
2	2203-000254	C430	10nF,10%,16V,X7R,TP,1005,-
2	2203-000254	C433	10nF,10%,16V,X7R,TP,1005,-
2	2203-000254	C438	10nF,10%,16V,X7R,TP,1005,-
2	2203-000254	C454	10nF,10%,16V,X7R,TP,1005,-
2	2203-000254	C457	10nF,10%,16V,X7R,TP,1005,-
2	2203-000254	C462	10nF,10%,16V,X7R,TP,1005,-
2	2203-000254	C464	10nF,10%,16V,X7R,TP,1005,-
2	2203-000330	C324	0.012nF,5%,50V,NP0,TP,1005
2	2203-000330	C416	0.012nF,5%,50V,NP0,TP,1005
2	2203-000359	C444	0.15nF,5%,50V,NP0,TP,1005
2	2203-000359	C452	0.15nF,5%,50V,NP0,TP,1005
2	2203-000425	C409	0.018nF,5%,50V,NP0,TP,1005
2	2203-000438	C160	1nF,10%,50V,X7R,TP,1005,-
2	2203-000438	C200	1nF,10%,50V,X7R,TP,1005,-
2	2203-000438	C201	1nF,10%,50V,X7R,TP,1005,-
2	2203-000438	C202	1nF,10%,50V,X7R,TP,1005,-
2	2203-000438	C208	1nF,10%,50V,X7R,TP,1005,-
2	2203-000438	C209	1nF,10%,50V,X7R,TP,1005,-
2	2203-000438	C210	1nF,10%,50V,X7R,TP,1005,-
2	2203-000438	C211	1nF,10%,50V,X7R,TP,1005,-
2	2203-000438	C212	1nF,10%,50V,X7R,TP,1005,-
2	2203-000438	C213	1nF,10%,50V,X7R,TP,1005,-
2	2203-000438	C214	1nF,10%,50V,X7R,TP,1005,-
2	2203-000438	C215	1nF,10%,50V,X7R,TP,1005,-
2	2203-000438	C216	1nF,10%,50V,X7R,TP,1005,-
2	2203-000438	C303	1nF,10%,50V,X7R,TP,1005,-
2	2203-000438	C310	1nF,10%,50V,X7R,TP,1005,-
2	2203-000438	C327	1nF,10%,50V,X7R,TP,1005,-

Level	SEC CODE	Design LOC	DESCRIPTIONS
2	2203-000438	C334	1nF,10%,50V,X7R,TP,1005,-
2	2203-000438	C337	1nF,10%,50V,X7R,TP,1005,-
2	2203-000438	C352	1nF,10%,50V,X7R,TP,1005,-
2	2203-000438	C354	1nF,10%,50V,X7R,TP,1005,-
2	2203-000438	C371	1nF,10%,50V,X7R,TP,1005,-
2	2203-000438	C401	1nF,10%,50V,X7R,TP,1005,-
2	2203-000438	C408	1nF,10%,50V,X7R,TP,1005,-
2	2203-000438	C421	1nF,10%,50V,X7R,TP,1005,-
2	2203-000438	C432	1nF,10%,50V,X7R,TP,1005,-
2	2203-000438	C434	1nF,10%,50V,X7R,TP,1005,-
2	2203-000438	C441	1nF,10%,50V,X7R,TP,1005,-
2	2203-000466	C345	0.001nF,0.25pF,50V,NP0,TP,1005
2	2203-000489	U428	2.2nF,10%,50V,X7R,TP,1005,-
2	2203-000585	C363	220pF,10%,50V,X7R,TP,1005,-
2	2203-000628	C423	0.022nF,5%,50V,NP0,TP,1005
2	2203-000643	C330	0.024nF,5%,50V,NP0,TP,1005
2	2203-000679	C122	0.027nF,5%,50V,NP0,TP,1005
2	2203-000679	C126	0.027nF,5%,50V,NP0,TP,1005
2	2203-000679	C414	0.027nF,5%,50V,NP0,TP,1005
2	2203-000812	C223	0.033nF,5%,50V,NP0,TP,1005
2	2203-000812	C224	0.033nF,5%,50V,NP0,TP,1005
2	2203-000812	C230	0.033nF,5%,50V,NP0,TP,1005
2	2203-000812	C231	0.033nF,5%,50V,NP0,TP,1005
2	2203-000812	C232	0.033nF,5%,50V,NP0,TP,1005
2	2203-000812	C233	0.033nF,5%,50V,NP0,TP,1005
2	2203-000812	C234	0.033nF,5%,50V,NP0,TP,1005
2	2203-000812	C235	0.033nF,5%,50V,NP0,TP,1005
2	2203-000812	C236	0.033nF,5%,50V,NP0,TP,1005
2	2203-000812	C237	0.033nF,5%,50V,NP0,TP,1005
2	2203-000812	C239	0.033nF,5%,50V,NP0,TP,1005
2	2203-000812	C242	0.033nF,5%,50V,NP0,TP,1005
2	2203-000812	C243	0.033nF,5%,50V,NP0,TP,1005
2	2203-000812	C247	0.033nF,5%,50V,NP0,TP,1005
2	2203-000812	C248	0.033nF,5%,50V,NP0,TP,1005
2	2203-000812	C249	0.033nF,5%,50V,NP0,TP,1005
2	2203-000812	C253	0.033nF,5%,50V,NP0,TP,1005
2	2203-000836	C306	390pF,10%,50V,X7R,TP,1005,-
2	2203-000836	C307	390pF,10%,50V,X7R,TP,1005,-
2	2203-000836	C319	390pF,10%,50V,X7R,TP,1005,-
2	2203-000836	C321	390pF,10%,50V,X7R,TP,1005,-
2	2203-000885	C132	4.7nF,10%,25V,X7R,TP,1005,-
2	2203-000885	C361	4.7nF,10%,25V,X7R,TP,1005,-
2	2203-000995	C225	0.047nF,5%,50V,NP0,TP,1005
2	2203-000995	C309	0.047nF,5%,50V,NP0,TP,1005
2	2203-000995	C402	0.047nF,5%,50V,NP0,TP,1005
2	2203-001017	C413	0.004nF,0.25pF,50V,NP0,TP,1005
2	2203-001033	C135	5.6nF,10%,25V,X7R,TP,1005,-
2	2203-001072	C331	0.056nF,5%,50V,NP0,TP,1005
2	2203-001153	C228	0.068nF,5%,50V,NP0,TP,1005

Level	SEC CODE	Design LOC	DESCRIPTIONS
2	2203-001153	C229	0.068nF,5%,50V,NP0,TP,1005
2	2203-001153	C412	0.068nF,5%,50V,NP0,TP,1005
2	2203-001201	C400	0.007nF,0.5pF,50V,NP0,TP,1005
2	2203-001239	C336	0.082nF,5%,50V,NP0,TP,1005
2	2203-001239	C341	0.082nF,5%,50V,NP0,TP,1005
2	2203-001239	C418	0.082nF,5%,50V,NP0,TP,1005
2	2203-001259	C338	0.008nF,0.5pF,50V,NP0,TP,1005
2	2203-001383	C425	0.0005nF,0.25pF,50V,NP0,TP,1005
2	2203-001389	C142	12nF,10%,50V,X7R,TP,1608,1.6mm
2	2203-001389	C143	12nF,10%,50V,X7R,TP,1608,1.6mm
2	2203-001405	C139	22nF,+80-20%,25V,Y5V,TP,1005
2	2203-001405	C150	22nF,+80-20%,25V,Y5V,TP,1005
2	2203-001405	C152	22nF,+80-20%,25V,Y5V,TP,1005
2	2203-001405	C153	22nF,+80-20%,25V,Y5V,TP,1005
2	2203-001405	C348	22nF,+80-20%,25V,Y5V,TP,1005
2	2203-001405	C442	22nF,+80-20%,25V,Y5V,TP,1005
2	2203-001432	C151	47nF,+80-20%,16V,Y5V,TP,1005
2	2203-001437	C407	5pF,0.25pF,50V,X7R,TP,1005,1.0
2	2203-001598	C302	2200nF,+80-20%,16V,Y5V,TP,2012
2	2203-002668	C417	0.0005nF,0.1pF,50V,NP0,TP,1005
2	2203-005052	C410	0.0033nF,0.25pF,50V,NP0,TP,1005
2	2203-005057	C404	0.0082nF,0.25pF,50V,NP0,TP,1005
2	2203-005057	C415	0.0082nF,0.25pF,50V,NP0,TP,1005
2	2203-005061	C102	100nF,+80-20%,16V,Y5V,TP,1005
2	2203-005061	C104	100nF,+80-20%,16V,Y5V,TP,1005
2	2203-005061	C106	100nF,+80-20%,16V,Y5V,TP,1005
2	2203-005061	C108	100nF,+80-20%,16V,Y5V,TP,1005
2	2203-005061	C110	100nF,+80-20%,16V,Y5V,TP,1005
2	2203-005061	C111	100nF,+80-20%,16V,Y5V,TP,1005
2	2203-005061	C113	100nF,+80-20%,16V,Y5V,TP,1005
2	2203-005061	C115	100nF,+80-20%,16V,Y5V,TP,1005
2	2203-005061	C117	100nF,+80-20%,16V,Y5V,TP,1005
2	2203-005061	C119	100nF,+80-20%,16V,Y5V,TP,1005
2	2203-005061	C120	100nF,+80-20%,16V,Y5V,TP,1005
2	2203-005061	C129	100nF,+80-20%,16V,Y5V,TP,1005
2	2203-005061	C133	100nF,+80-20%,16V,Y5V,TP,1005
2	2203-005061	C134	100nF,+80-20%,16V,Y5V,TP,1005
2	2203-005061	C137	100nF,+80-20%,16V,Y5V,TP,1005
2	2203-005061	C140	100nF,+80-20%,16V,Y5V,TP,1005
2	2203-005061	C141	100nF,+80-20%,16V,Y5V,TP,1005
2	2203-005061	C144	100nF,+80-20%,16V,Y5V,TP,1005
2	2203-005061	C145	100nF,+80-20%,16V,Y5V,TP,1005
2	2203-005061	C149	100nF,+80-20%,16V,Y5V,TP,1005
2	2203-005061	C154	100nF,+80-20%,16V,Y5V,TP,1005
2	2203-005061	C155	100nF,+80-20%,16V,Y5V,TP,1005
2	2203-005061	C156	100nF,+80-20%,16V,Y5V,TP,1005
2	2203-005061	C157	100nF,+80-20%,16V,Y5V,TP,1005
2	2203-005061	C159	100nF,+80-20%,16V,Y5V,TP,1005
2	2203-005061	C204	100nF,+80-20%,16V,Y5V,TP,1005

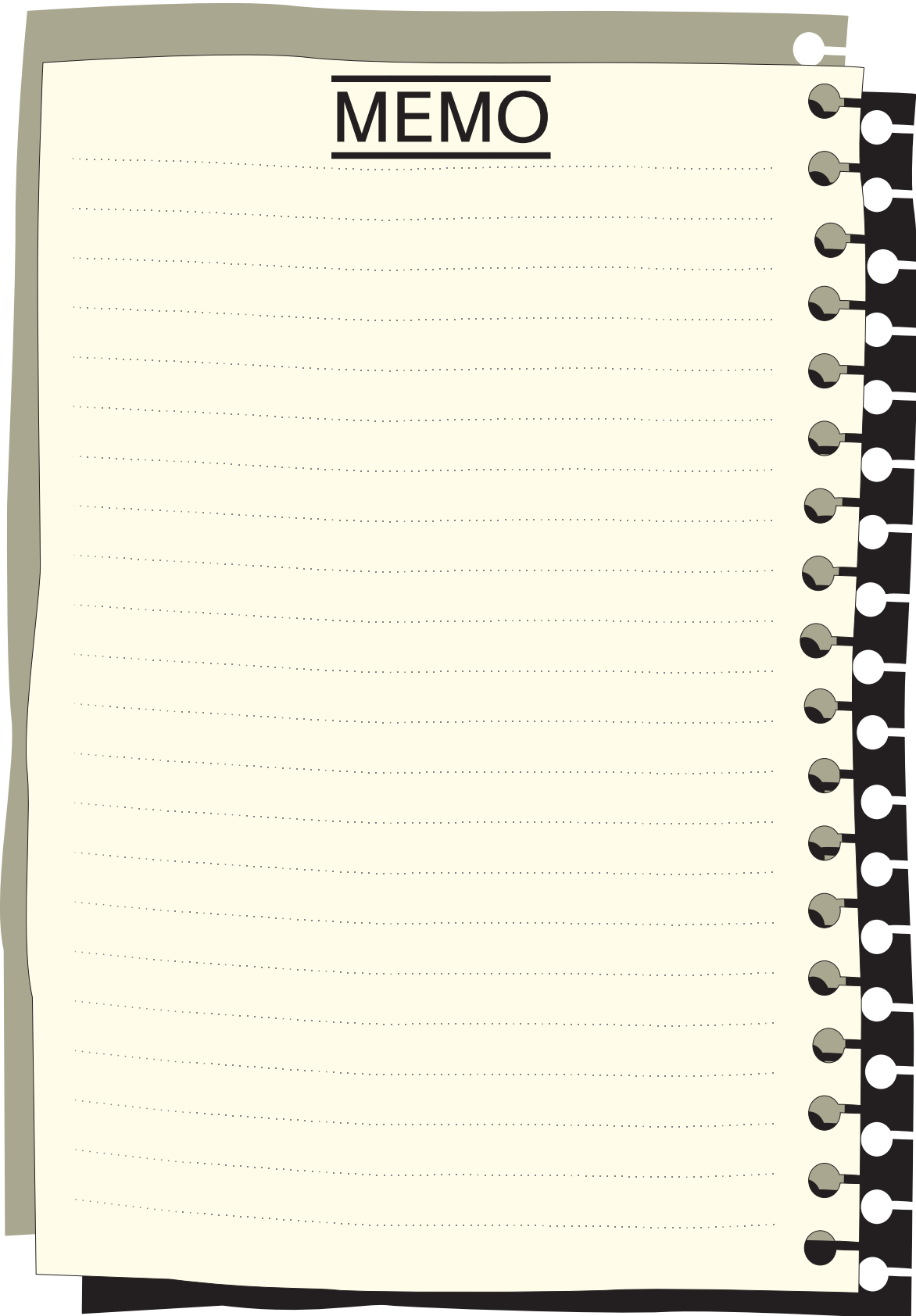
Level	SEC CODE	Design LOC	DESCRIPTIONS
2	2203-005061	C205	100nF,+80-20%,16V,Y5V,TP,1005
2	2203-005061	C207	100nF,+80-20%,16V,Y5V,TP,1005
2	2203-005061	C218	100nF,+80-20%,16V,Y5V,TP,1005
2	2203-005061	C219	100nF,+80-20%,16V,Y5V,TP,1005
2	2203-005061	C220	100nF,+80-20%,16V,Y5V,TP,1005
2	2203-005061	C252	100nF,+80-20%,16V,Y5V,TP,1005
2	2203-005061	C304	100nF,+80-20%,16V,Y5V,TP,1005
2	2203-005061	C313	100nF,+80-20%,16V,Y5V,TP,1005
2	2203-005061	C315	100nF,+80-20%,16V,Y5V,TP,1005
2	2203-005061	C351	100nF,+80-20%,16V,Y5V,TP,1005
2	2203-005061	C357	100nF,+80-20%,16V,Y5V,TP,1005
2	2203-005061	C429	100nF,+80-20%,16V,Y5V,TP,1005
2	2203-005061	C437	100nF,+80-20%,16V,Y5V,TP,1005
2	2203-005061	C439	100nF,+80-20%,16V,Y5V,TP,1005
2	2203-005061	C445	100nF,+80-20%,16V,Y5V,TP,1005
2	2203-005061	C446	100nF,+80-20%,16V,Y5V,TP,1005
2	2203-005061	C450	100nF,+80-20%,16V,Y5V,TP,1005
2	2203-005061	C460	100nF,+80-20%,16V,Y5V,TP,1005
2	2203-005065	C148	1000nF,+80-20%,10V,Y5V,TP,1608
2	2203-005065	C203	1000nF,+80-20%,10V,Y5V,TP,1608
2	2203-005065	C308	1000nF,+80-20%,10V,Y5V,TP,1608
2	2203-005065	C311	1000nF,+80-20%,10V,Y5V,TP,1608
2	2203-005065	C333	1000nF,+80-20%,10V,Y5V,TP,1608
2	2203-005234	C419	0.0012nF,0.25pF,50V,NP0,TP,1005
2	2203-005393	C411	0.005nF,0.1pF,50V,NP0,TP,1005
2	2203-005395	C451	0.0047nF,0.1pF,50V,NP0,TP,1005
2	2203-005444	C328	0.003nF,0.1pF,50V,NP0,TP,1005
2	2203-005480	C356	33nF,10%,10V,X7R,TP,1005,-
2	2203-005480	C364	33nF,10%,10V,X7R,TP,1005,-
2	2203-005481	C403	47nF,10%,10V,X7R,TP,1005,-
2	2203-005482	C161	100nF,10%,10V,X5R,TP,1005,-
2	2203-005483	C124	68nF,10%,10V,X5R,TP,1005,-
2	2203-005483	C355	68nF,10%,10V,X5R,TP,1005,-
2	2203-005496	C359	220nF,+80-20%,10V,Y5V,TP,1005
2	2203-005509	C365	330nF,+80-20%,10V,Y5V,TP,1005
2	2203-005664	C435	4700nF,10%,6.3V,X5R,TP,2012
2	2203-005664	C436	4700nF,10%,6.3V,X5R,TP,2012
2	2404-001020	C250	10uF,20%,10V,GP,TP,3216,3.2
2	2404-001105	C221	10UF,20%,6.3V,GP,TP,2012
2	2404-001105	C251	10UF,20%,6.3V,GP,TP,2012
2	2404-001105	C349	10UF,20%,6.3V,GP,TP,2012
2	2404-001105	C358	10UF,20%,6.3V,GP,TP,2012
2	2404-001105	C447	10UF,20%,6.3V,GP,TP,2012
2	2404-001105	C448	10UF,20%,6.3V,GP,TP,2012
2	2404-001105	C449	10UF,20%,6.3V,GP,TP,2012
2	2404-001105	C455	10UF,20%,6.3V,GP,TP,2012
2	2404-001105	C459	10UF,20%,6.3V,GP,TP,2012
2	2404-001105	C461	10UF,20%,6.3V,GP,TP,2012
2	2404-001151	C146	33UF,20%,6.3V,LZ,TP,3216

Level	SEC CODE	Design LOC	DESCRIPTIONS
2	2404-001151	C147	33UF,20%,6.3V,LZ,TP,3216
2	2404-001231	C453	47uF,20%,6.3V,GP,TP,3718
2	2703-001409	L409	12nH,10%,1x0.5x0.5mm
2	2703-001409	L413	12nH,10%,1x0.5x0.5mm
2	2703-001514	L415	68nH,5%,1.8x1.12x1.02mm
2	2703-001708	L310	5.6nH,10%,1.0x0.5x0.5mm
2	2703-001722	L411	18nH,5%,1.0x0.5x0.5mm
2	2703-001726	L306	27nH,5%,1x0.5x0.5mm
2	2703-001726	L307	27nH,5%,1x0.5x0.5mm
2	2703-001727	L400	22nH,5%,1x0.5x0.5mm
2	2703-001727	L421	22nH,5%,1x0.5x0.5mm
2	2703-001733	L420	8.2nH,5%,1x0.5x0.5mm
2	2703-001752	L408	39nH,5%,1.0x0.5x0.5mm
2	2703-001786	L403	10NH,5%,1.0X0.5X0.5MM
2	2703-001868	L404	82NH,5%,1005
2	2703-001868	L406	82NH,5%,1005
2	2703-001868	L412	82NH,5%,1005
2	2703-001913	L410	220nH,5,1.8x1.12x1.02mm
2	2703-001914	L407	180nH,2%,1.6x0.8x0.8mm
2	2703-001926	L308	27nH,2%,1.6x0.8x0.8mm
2	2703-001943	L304	10nH,5%,1.0x0.5x0.5mm
2	2703-001969	L309	8.2nH,10%,1.0x0.5x0.5mm
2	2703-001988	L312	82nH,5%,1.0x0.5x0.5mm
2	2703-002155	L405	47nH,5%,1.0x0.5x0.5mm
2	2801-003856	OSC100	0.032768MHZ,20PPM,28-ACP,7PF,65KOHM,TP
2	2806-001263	U305	980MHZ,-,-1.5+-3DBM,TP,2.5V,8.5MA
2	2809-001247	OSC300	19.68MHz,-,10Kohm/10pF,TP,2.8V,1.5mA
2	2904-001171	F300	836.5MHz,25MHz,+12.5MHz/2dB,TP,+12.5MHz/3.5dB,0-800MHz/28dB
2	2904-001173	F401	881.5MHz,25MHz,+12.5MHz/2dB,TP,+12.5MHz/3.5dB,DC-779MHz/25dB
2	2904-001324	F402	85.38MHZ,1.9MHZ,30MHZ/0.6DB,TP,10.5,-
2	2909-001122	F400	881.5MHz,836.5MHz,4/2.5dB,TP,824-849MHz/50dB,869-894MHz/35dB
2	3301-001342	L201	AB,1.5KOHM,1X0.5X0.5MM,100MA,TP,M,1.4OHM
2	3301-001342	L202	AB,1.5KOHM,1X0.5X0.5MM,100MA,TP,M,1.4OHM
2	3301-001362	L300	AB,1kohm,1x0.5x0.5mm,50mA,TP,FERRITE,1.5ohm
2	3301-001362	L313	AB,1kohm,1x0.5x0.5mm,50mA,TP,FERRITE,1.5ohm
2	3301-001362	L314	AB,1kohm,1x0.5x0.5mm,50mA,TP,FERRITE,1.5ohm
2	3301-001362	L315	AB,1kohm,1x0.5x0.5mm,50mA,TP,FERRITE,1.5ohm
2	3301-001362	L414	AB,1kohm,1x0.5x0.5mm,50mA,TP,FERRITE,1.5ohm
2	3301-001362	L416	AB,1kohm,1x0.5x0.5mm,50mA,TP,FERRITE,1.5ohm
2	3301-001362	L417	AB,1kohm,1x0.5x0.5mm,50mA,TP,FERRITE,1.5ohm
2	3301-001362	L418	AB,1kohm,1x0.5x0.5mm,50mA,TP,FERRITE,1.5ohm
2	3705-001235	U402	-,JACK,100mohm,50ohm,0.6dB
2	3709-001074	CN201	6P,2.54mm,SMD-S,AUF
2	3710-001611	CN401	18P,1R,0.5mm,SMD-A,AUF
2	3711-004382	CN255	BOX,24P,2R,0.5MM,SMD-S,AUF
2	3711-004988	CN403	NOWALL,2P,1R,2.5MM,SMD-S,AU+NI,BLK
2	3711-004988	CN404	NOWALL,2P,1R,2.5MM,SMD-S,AU+NI,BLK
2	3722-001456	CN210	2P,2.6PI,AUF,BLK,-
2	4709-001202	F301	824~849 MHz,12dB,0.65dB,1.5

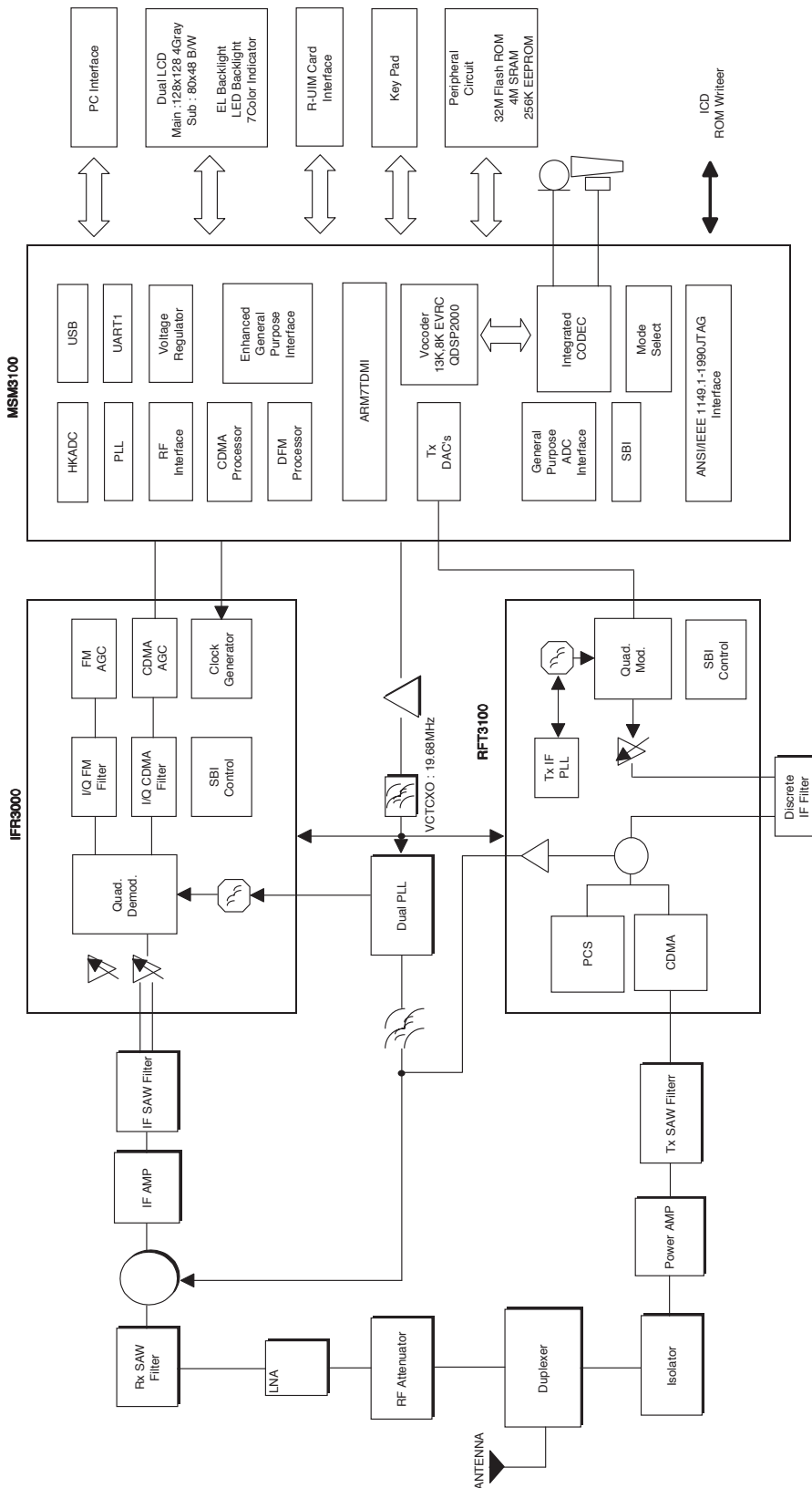
Level	SEC CODE	Design LOC	DESCRIPTIONS
2	4709-001221	U304	949to985MHz,15dB,-,1.6x0.84x0.6mm,TP
2	GH41-00235A	PCB	SCH-A399,MR500,8L,1.2,1.0T,100X158,-,-,-,-
2	GH71-00501A	CN400	SCH-A303,PBS,4.55X2.53XT0.1,GLD PLT,-
2	GH73-00622A		SCH-A8500,CR RUBBER,3X3X1.0,BLK,-,-
1	GH96-00922B		SCH-A350,-,KORA,EARPHONE+NECKLACE,-,-,-
1	GH97-02066B		SCH-A399,CTI,ARGA,SIL,-,-,-
2	3001-001255		0.5W,8OHM,120DB/86DB,610HZ~890HZ
2	6001-001478		PH,+M1.4,L3,NYLOK(BLK),SWRCH18A,FP
2	GH07-00128A		UG-12D36-FGHTX-A,SCH-A399,-,37.4X55.21X4.6MM,4GRY/BLK
2	GH31-00022A		DMJBRK32D,SCH-X110,-,-,-,3V,9000~15000RPM,-,-,-,20TO+60C
2	GH59-00289A		SCH-A399,KBSCHA303C,-,CONNECTOR,FPCB,-,-,-,-,BOX,-
2	GH72-03591A		SCH-A399,ACRYL,TRP,22.1X27.57XT1.0,-,-,-,-,-
2	GH72-03592A		SCH-A399,ACRYL,TRP,43.35X52.85XT0.8,-,-,-,-,-
2	GH73-00750A		SCH-A303,CR RUBBER,41.8X42.9,BLK,40,-
2	GH74-01161A		SCH-X120,VINYL,T0.1,-,-
2	GH74-01162A		SCH-X120,VINYL,T0.1,-,-
2	GH74-01432A		SCH-X200,VINYL,51X81.8XT0.08,TRP,-
2	GH74-01783A		SPH-A330,PORON,PI9XT0.5,BLK,-,-,-,-
2	GH74-01784A		SPH-A330,EMI MESH,PI12XT0.3,GRY,-,-,-,-
2	GH74-01791A		SPH-A330,EMI MESH,10X4XT2.0,GRY,-,-,-,-
2	GH74-01795A		SPH-A330,PORON,20.0X5.0XT3.0,BLK,-,-,-,-
2	GH74-01796A		SPH-A330,EMI MESH,11.0X4.0XT2.0,BLK,-,-,-,-
2	GH74-02215A		SCH-A399,EMI MESH,8.50X5XT0.3,BLK,-,-,-,-
2	GH74-02216A		SCH-A399,PORON,5X5XT3.0,BLK,-,-,-,-
2	GH74-02217A		SCH-A399,PORON,27X5XT3.0,BLK,-,-,-,-
2	GH74-02219A		SCH-A399,VINYL SHEET,23X6XT0.1,GRY,-,-,-,-
2	GH74-02333A		SCH-A399,EMI MESH,11X2XT2,GRY,-,-,-,-
2	GH74-02374A		SCH-A399,PC SHEET,PI4.6XT0.3,SIL,-,-,-,-
2	GH75-01440B		SCH-A399,-,PC,-,SIL,-,-,-,-
3	GH71-00647A		-,SPH-A450,ZN,T2.18,36.1,28.36,-,-,-,SIL,-
3	GH72-03160B		SCH-A399,PC,SIL,-,-,-,-,-
3	GH74-01660A		SPH-A330,EPDM,-,BLK,-,-,-,-
3	GH74-01661A		SPH-A330,TESA4962,-,TRP,-,-,-,-
3	GH74-01662A		SPH-A330,TESA4962,-,TRP,-,-,-,-
3	GH74-01978A		SCH-X400,3M(4187),54.84X28.3,TRP,-,-,-,-
3	GH74-02085A		SPH-A330,VINYL,4.0X8.5XT0.1,BLU,-,-,-,-
2	GH75-01441B		SCH-A399,-,-,-,SIL,-,-,-,-
3	GH70-00036A		SCH-850,MAGNETIC,-,PI3XT2,-,-,-,-,-
3	GH71-00648A		-,SPH-A450,ZN,T0.58,3.0,23.1,-,-,-,SIL,-
3	GH72-03161B		SCH-A399,PC,SIL,-,-,-,-,-
3	GH74-01663A		SPH-A330,TESA4962,-,TRP,-,-,-,-
3	GH74-01664A		SPH-A330,TESA4962,21.0X3.13XT0.15,TRP,-,-,-,-
3	GH74-01810A		SPH-A330,BUJIKPO,3X4XT0.1,BLK,-,-,-,-
3	GH74-02085A		SPH-A330,VINYL,4.0X8.5XT0.1,BLU,-,-,-,-
3	GH75-00764D		SCH-A399,-,-,-,BLK,-,-,-
4	GH70-00073A		SCH-8500,SUS,-,PI4.9X10,-,-,-,-,-
4	GH71-00316A		SCH-8500,ZNDC,-,NI PLT,-
4	GH72-00291B		SPH-X1000,-,DELRIN-510MP,WHT,-,-,-
4	GH72-01863B		SPH-X1000,-,DELRIN-510MP,WHT,-,-,-

Level	SEC CODE	Design LOC	DESCRIPTIONS
2	GH75-01442B		SCH-A399,-,-,SIL,-,-,-
3	GH71-00502A		SCH-A303,ZNDC2,NI PLT
3	GH72-02574A		SCH-A303,-,PC,TRP,-,-,-
3	GH72-03071A		SPH-A330,PC,SIL,-,-,-,-,-
3	GH72-03162B		SCH-A399,PC,SIL,-,-,-,-,-
3	GH73-00747A		SCH-A303,CR RUBBER,7.59X6.96,BLK,-,-
3	GH73-00793A		SCH-A303,CR RUBBER,3.9X1.9X6,L/GRY,60,-
3	GH74-01879A		SPH-A330,TESA4962,25.45X5.3XT0.15,TRP
3	GH74-02084A		SPH-A330,BUJIKPO,PI6.0XT.03,BLK,-,-,-,-
3	GH74-02086A		SPH-A330,VINYL,2.0X8.0XT0.1,BLU,-,-,-,-
1	GH97-02067B		SCH-A399,CTI,ARGA,SIL,-,-,-
2	GH75-01443B		SCH-A399,-,-,SIL,-,-,-
3	GH61-00020A		SPH-A330,SUS304WP,-,-,PI3.1X4.5
3	GH68-00973B		SCH-A300,VINYL,T0.12,10,4,-,TRP
3	GH71-00503A		SCH-A303,ZNDC2,GLD PLT
3	GH72-02576A		SCH-A303,-,PC,SIL,-,-,-
3	GH72-03163B		SCH-A399,PC,SIL,-,-,-,-,-
3	GH73-00749A		SCH-A303,URETHANE RUBBER,11.88X6.1,L/GRY,80,-
3	GH74-01786A		SPH-A330,EMI MESH,10X7XT3,GRY,-,-,-,-
3	GH74-02085A		SPH-A330,VINYL,4.0X8.5XT0.1,BLU
3	GH74-02087A		SPH-A330,VINYL,3.93X20.0XT0.1,BLU
3	GH74-02089A		SCH-A399,EPDM,3.93X31.0XT1.5,BLK
3	GH74-02090A		SCH-A399,EPDM,10.5X33.5XT1.5,BLK
3	GH74-02094A		SCH-A399,SPONGE,17.5X21.0XT0.5,GRY
3	GH74-02218A		SCH-A399,VINYL SHEET,5X3.50XT0.1,GRY
1	GH99-02625A		SCH-A399,CUH,CHNA
2	GG68-10705A		SP-R912,CRP,65.0x95.0,-,ORG
2	GH68-00662B		SCH-3500,WHITE POLYESTER,67X41,-,WHT
2	GH68-01778A		SGH-A100,ART,100G,250,100,-,WHT
2	GH68-02549A		SCH-A399,UNICOM HORIZON,CHINESE,CHNA
2	GH68-02558A		SCH-A399,CHINA UNICOM HORIZON,CHINESE,CHNA
2	GH68-10642A		SH-700,ART,60.0x40.0,T0.1,WHT
2	GH69-00842A		SGH-A300,LDPE,T0.06,80,170,TRP,-
2	GH69-00843A		SGH-A300,LDPE,T0.06,100,260,TRP,-
2	GH69-01062A		SCH-A399,PS,-,-,192X132X76
2	GH69-01065A		SCH-A399,IVORY#300,-,-,-,135X79X191
2	GH69-11279A		CHINA,SGH-600,SW-3,530X510X187

MEMO



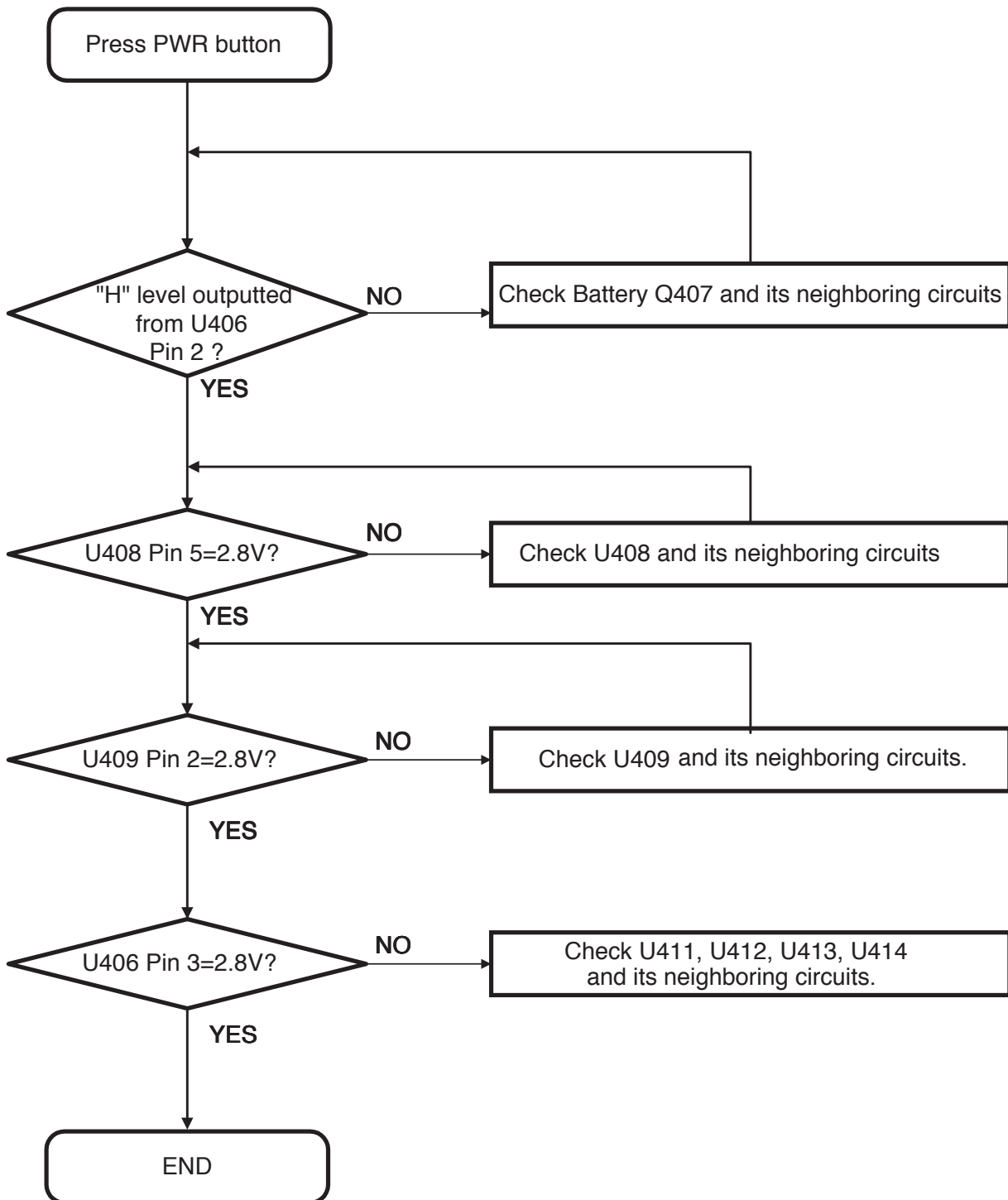
4. Block Diagrams



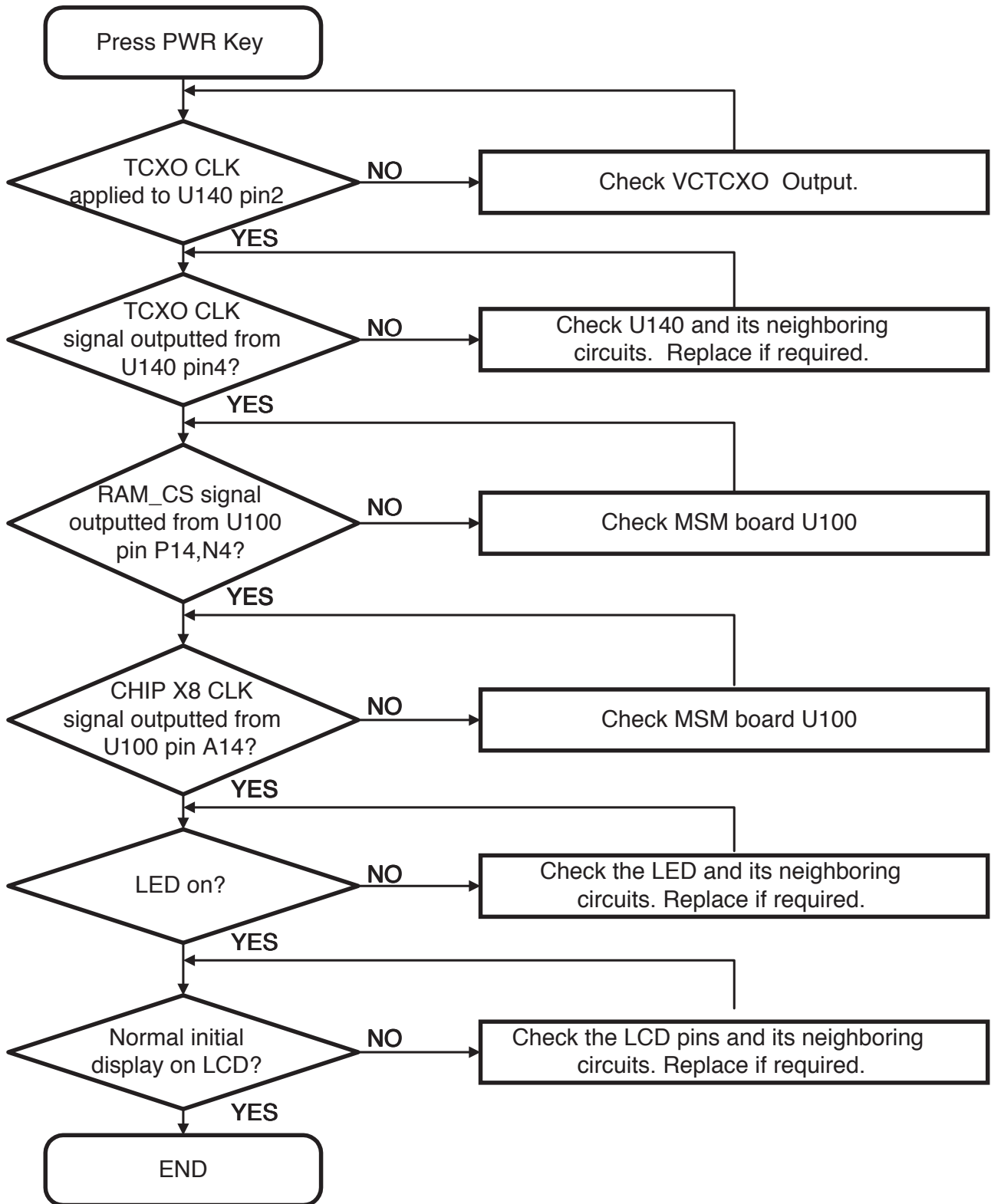
5. Trouble Shooting

5-1 Logic Section

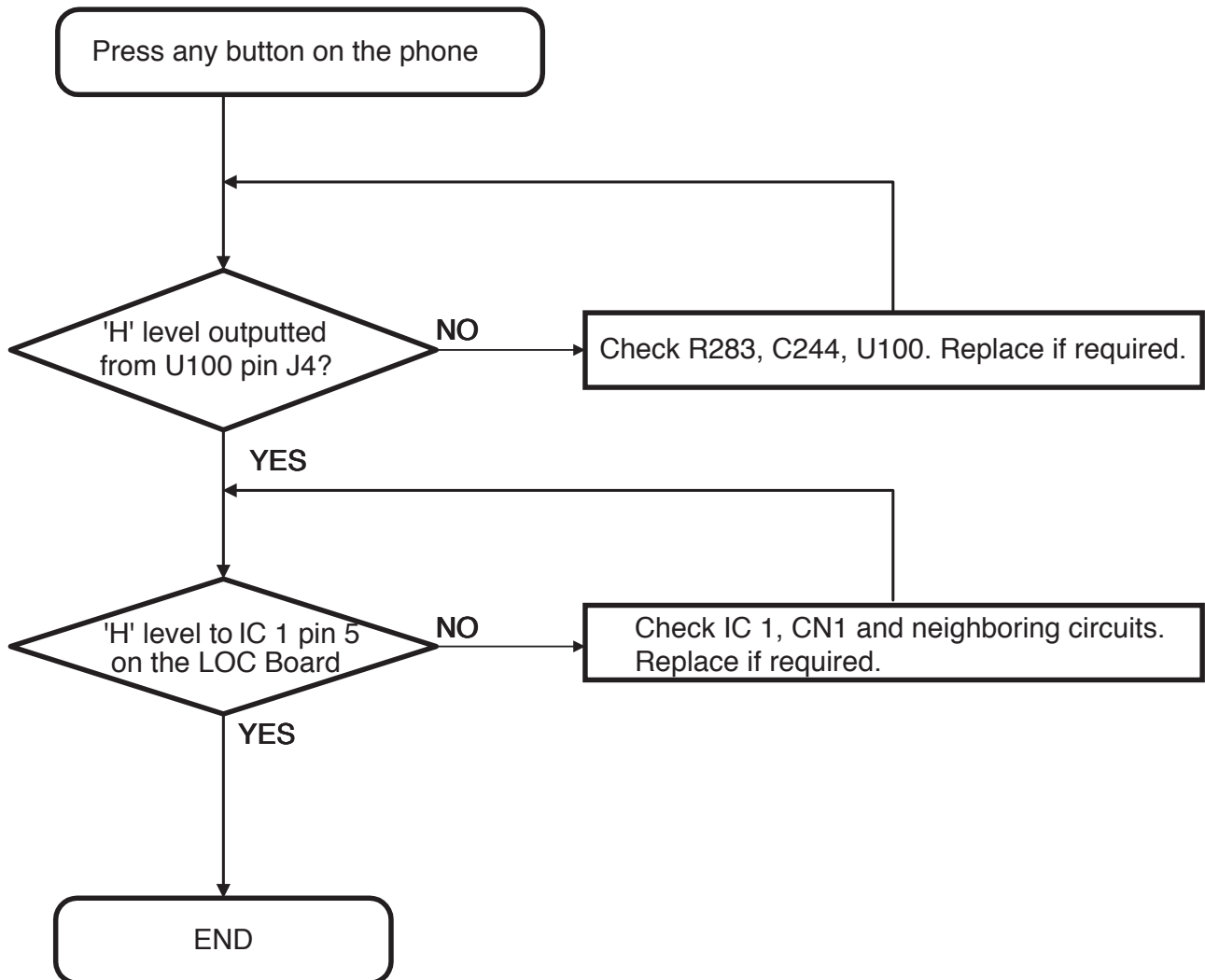
5-1-1 No Power



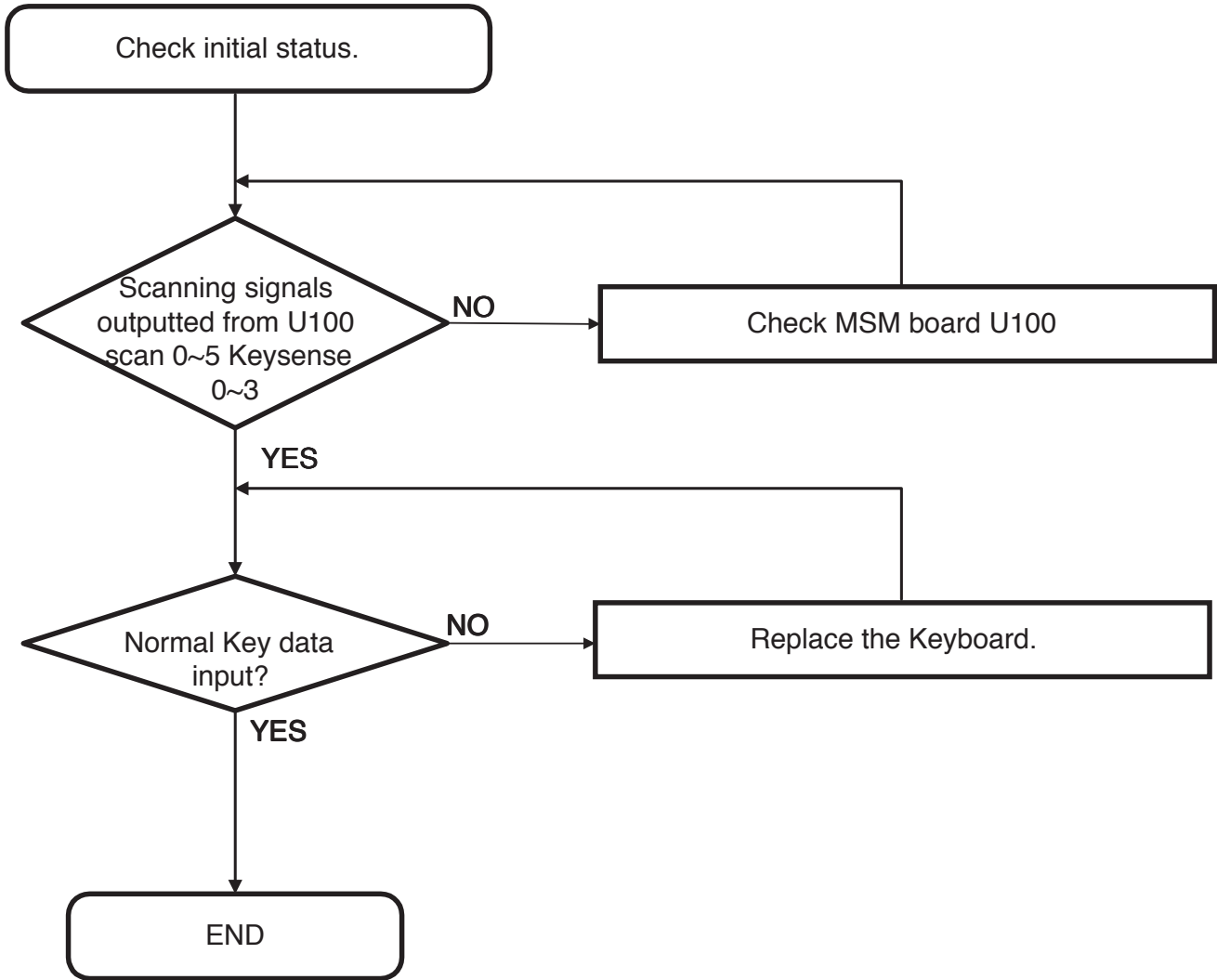
5-1-2 Abnormal initial operation (Normal +2.8V voltage source)



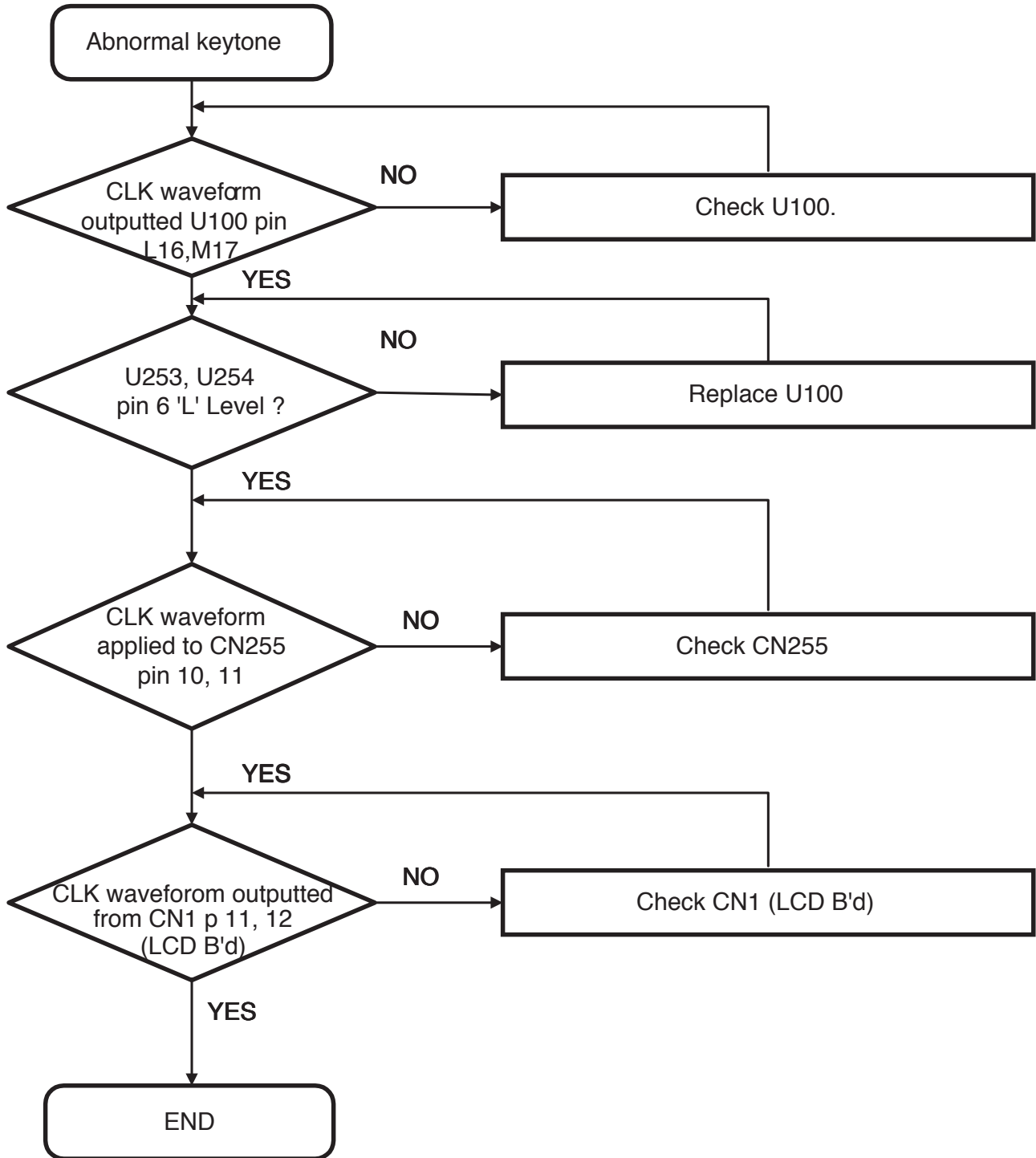
5-1-3 Abnormal Backlight Operation



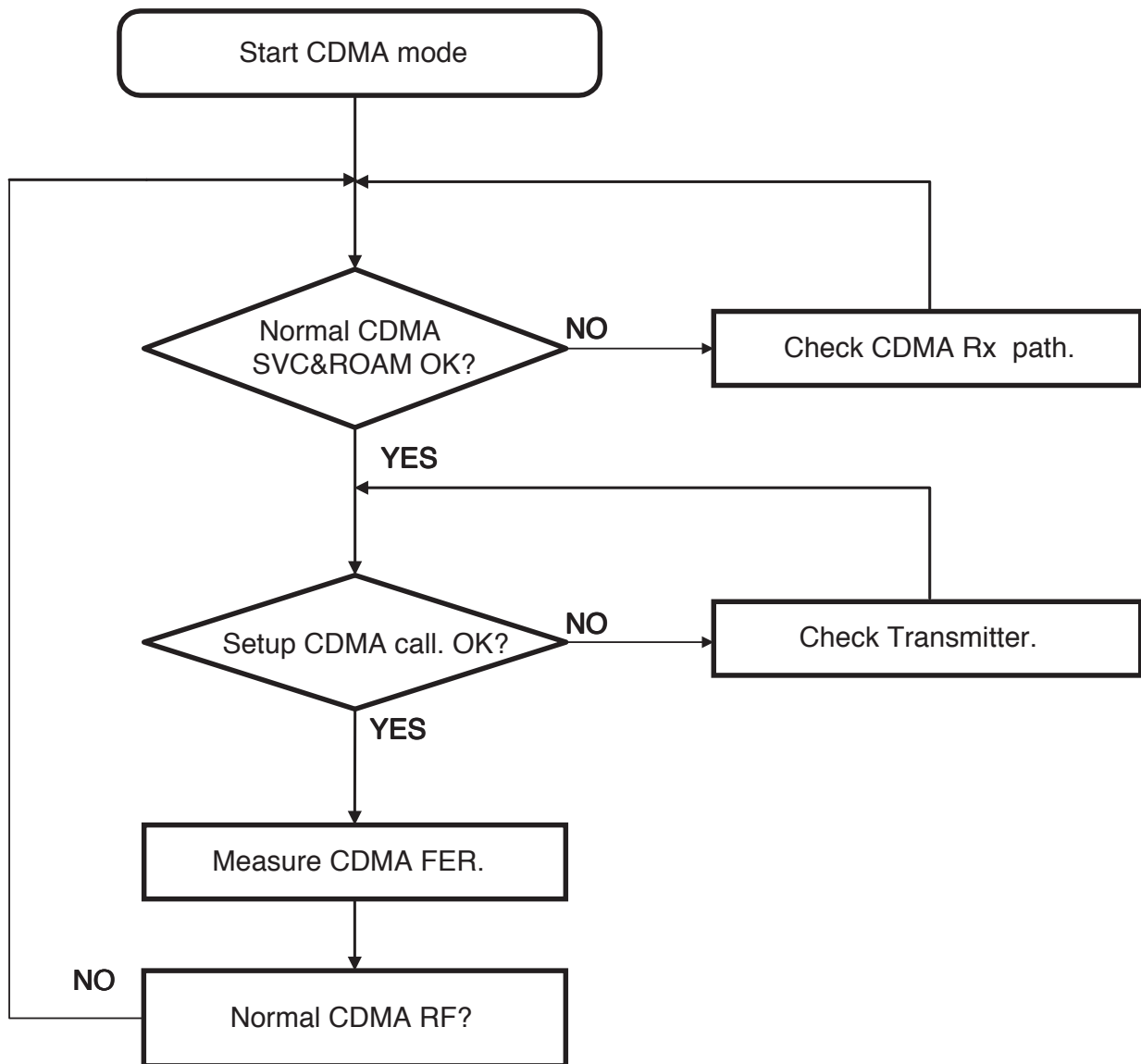
5-1-4 Abnormal Key Data Input



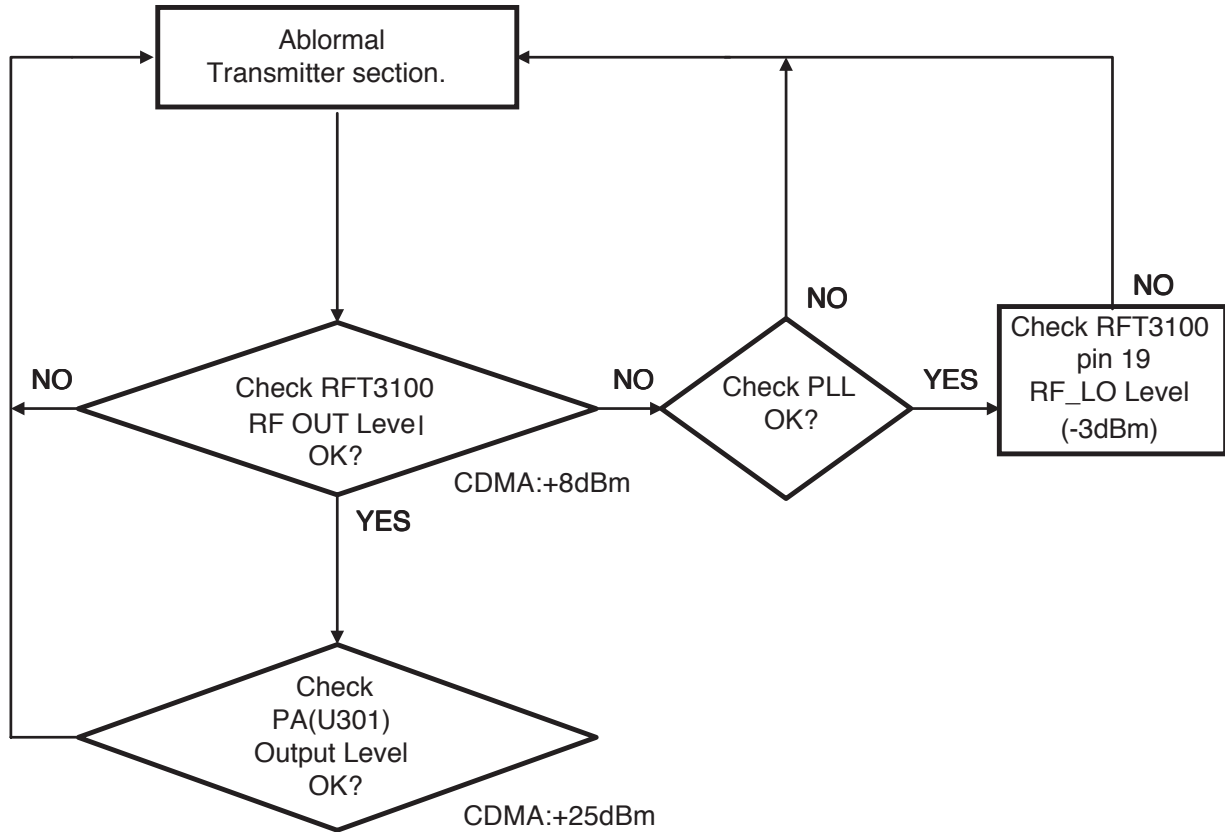
5-1-5 Abnormal Key tone



5-2 Receiver Section

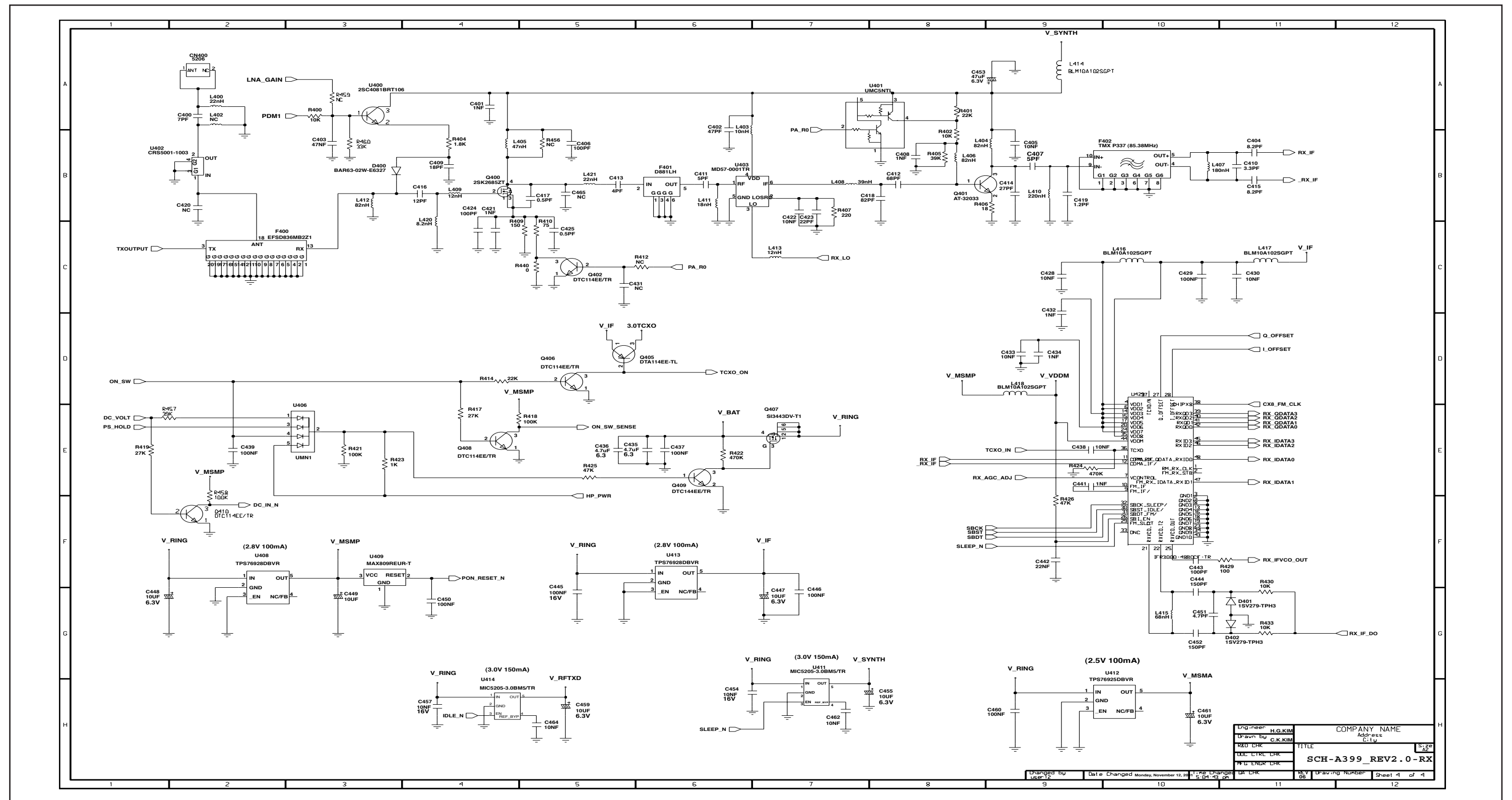


5-3 Transmitter Section

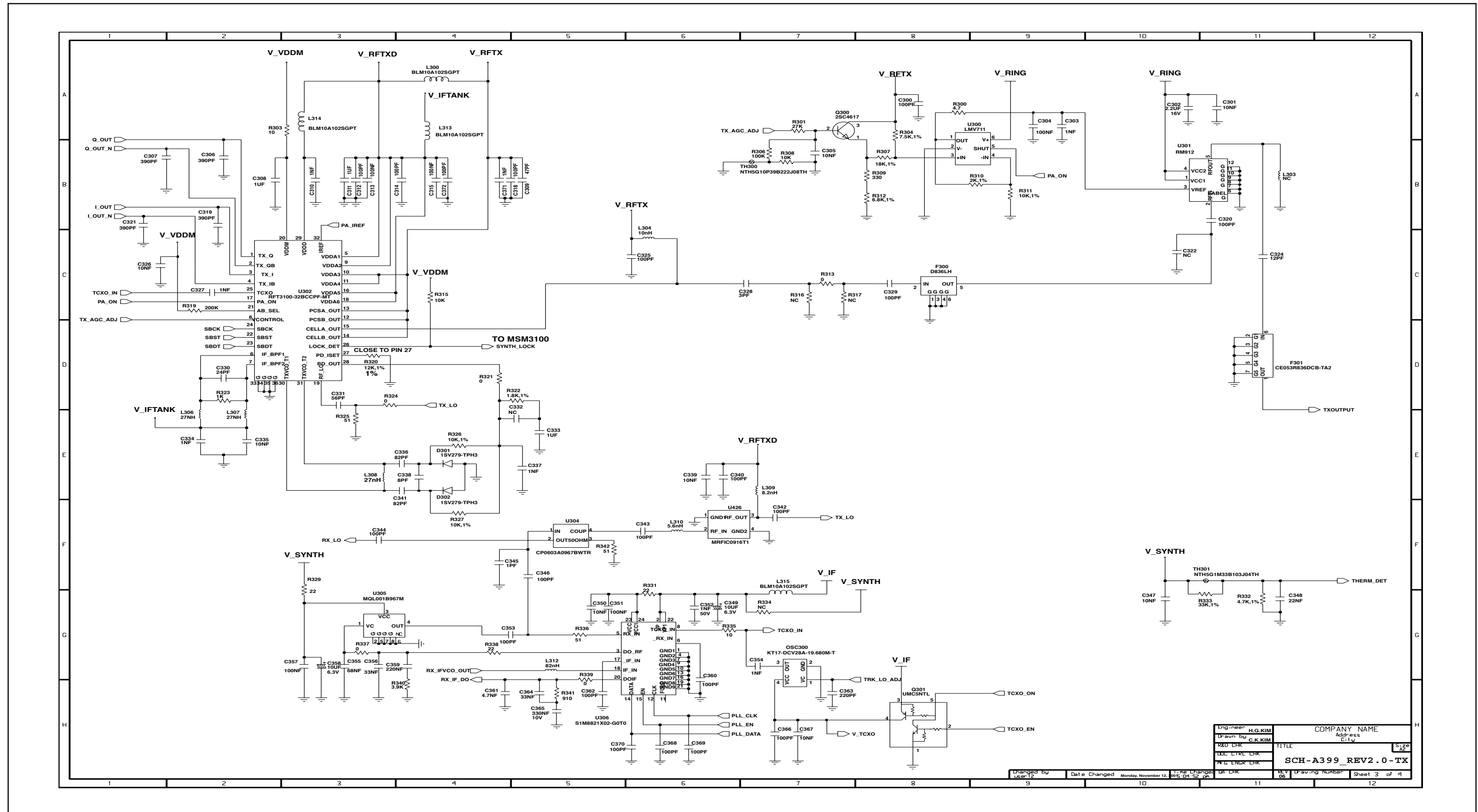


6. Circuit Diagrams

6-1 Rx Circuit Diagram

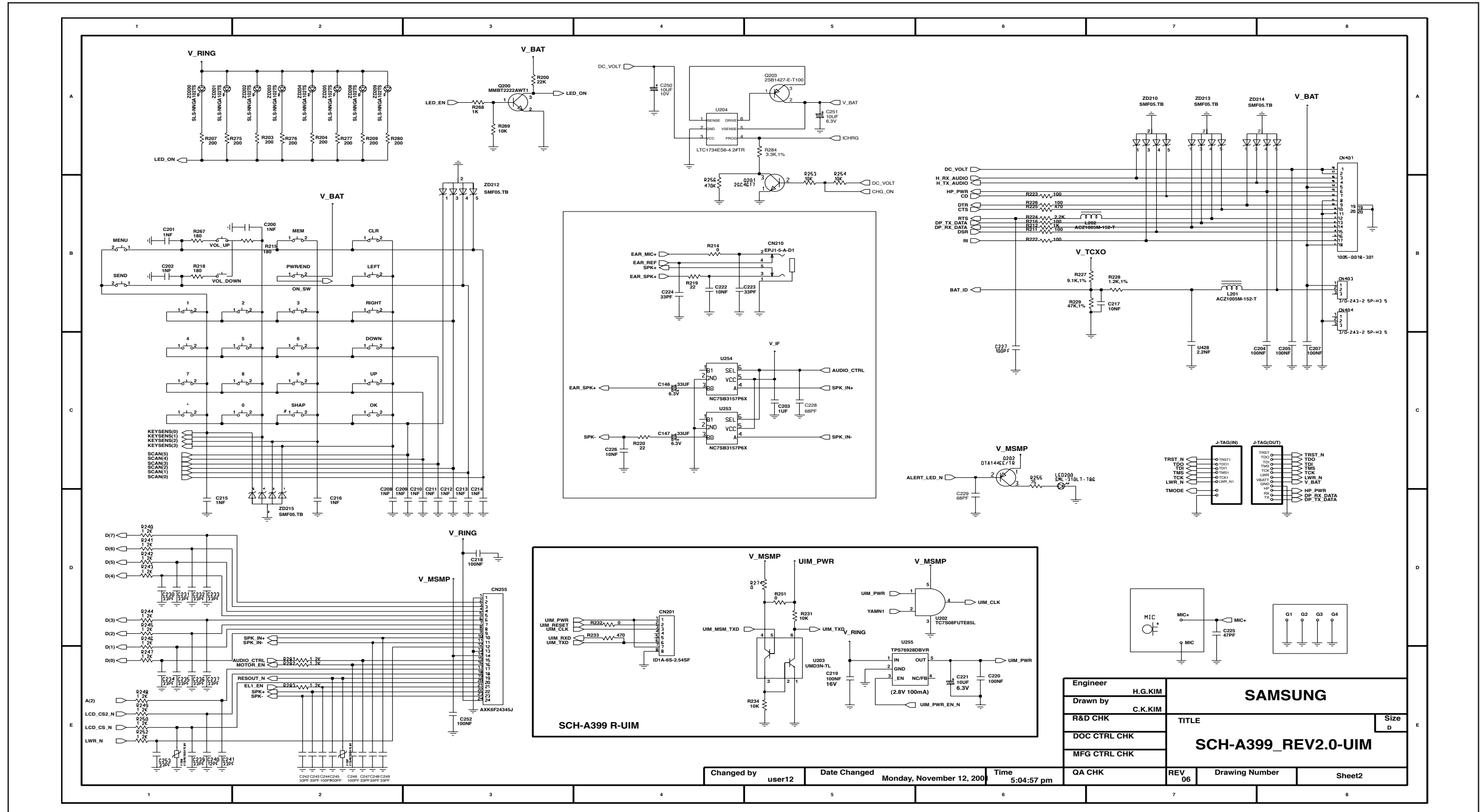


6-2 Tx Circuit Diagram

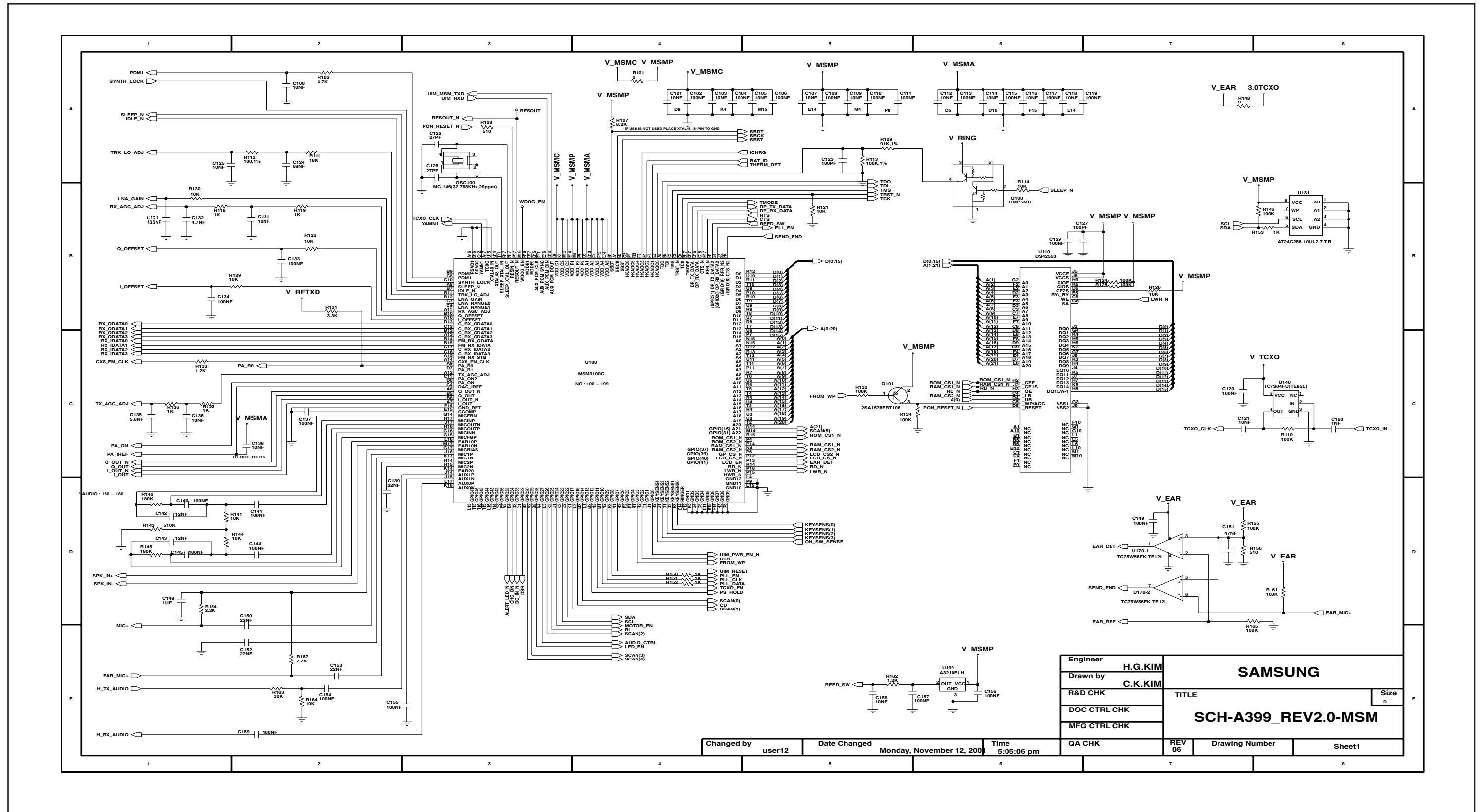


Engineer	H.G.KIM	COMPANY NAME	
Drawn by	C.K.KIM	Address	
CHK L1		City	
CHK L2		TITLE	
CHK L3		Scale	As
CHK L4		SCH-A399_REV2.0-TX	
CHK L5		DWG. No.	
CHK L6		Sheet	3 of 4

6-3 Misc Circuit Diagram



6-4 Logic Circuit Diagram



Changed by user12 Date Changed Monday, November 12, 2007 Time 5:05:06 pm

Engineer	H.G.KIM	SAMSUNG	Size D
Drawn by	C.K.KIM		
R&D CHK		TITLE	
DOC CTRL CHK		SCH-A399_REV2.0-MSM	
MFG CTRL CHK		REV 06	Sheet 1
QA CHK		Drawing Number	