

Service Schematics

NOKIA 2710 Navigation Edition

RM-586

IMPORTANT

This document is intended for use by authorized Nokia service centers only. Please use the document together with other documents such as the Service Manual and Service Bulletins.

Version information

While every effort has been made to ensure that the document is accurate, some errors may exist. Please always check for the latest published version for this document.

If you find any errors in the document please send email to:
service.manuals@nokia.com

Version history

1.0 First approved version



Measurements

All measurements were made using the following equipment:

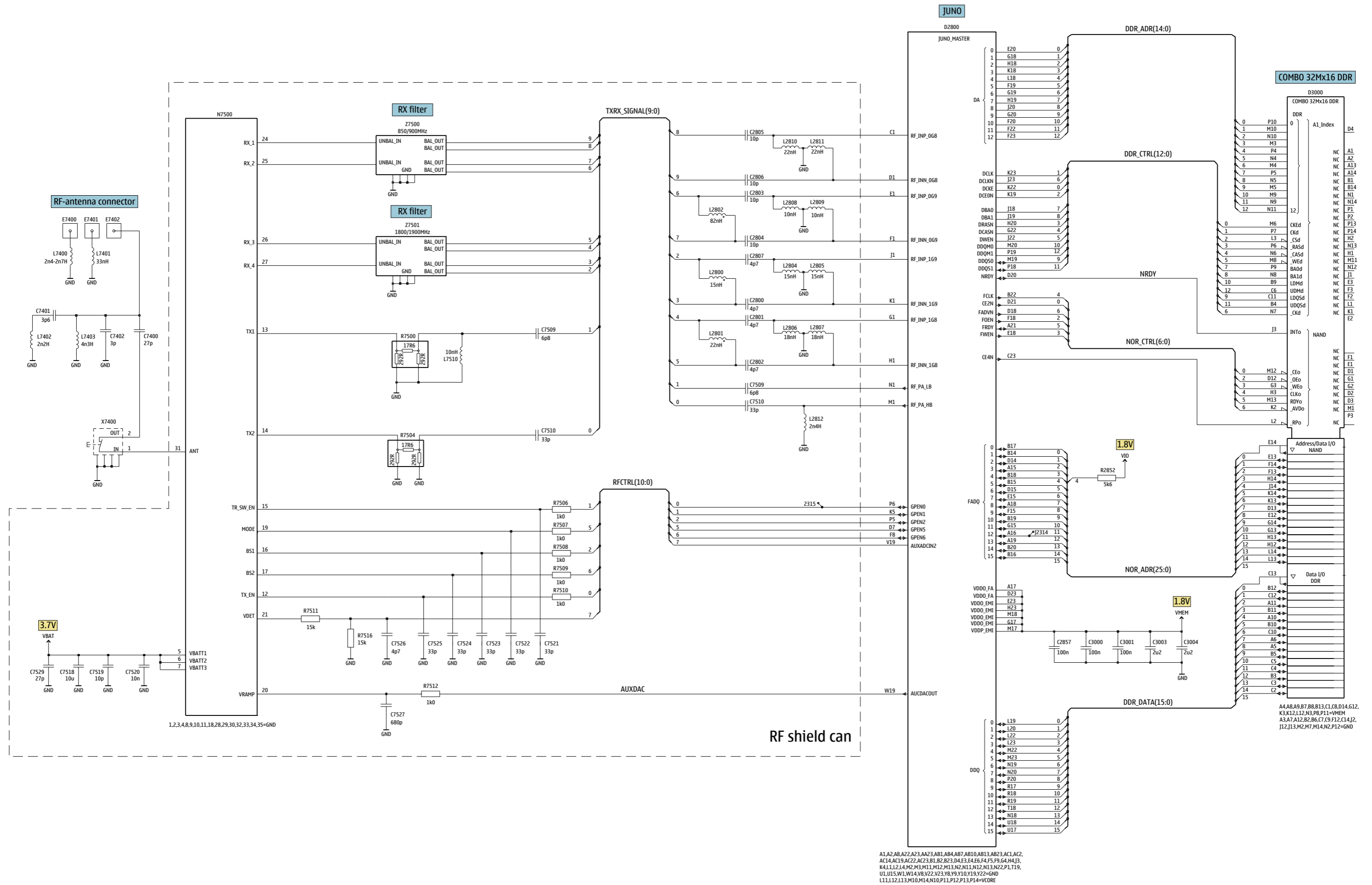
Nokia repair SW : Phoenix 2009.20.011.39237
Oscilloscope : PicoScope 3206
Spectrum Analyzer : Advantest R3162
Multimeter : Fluke 175

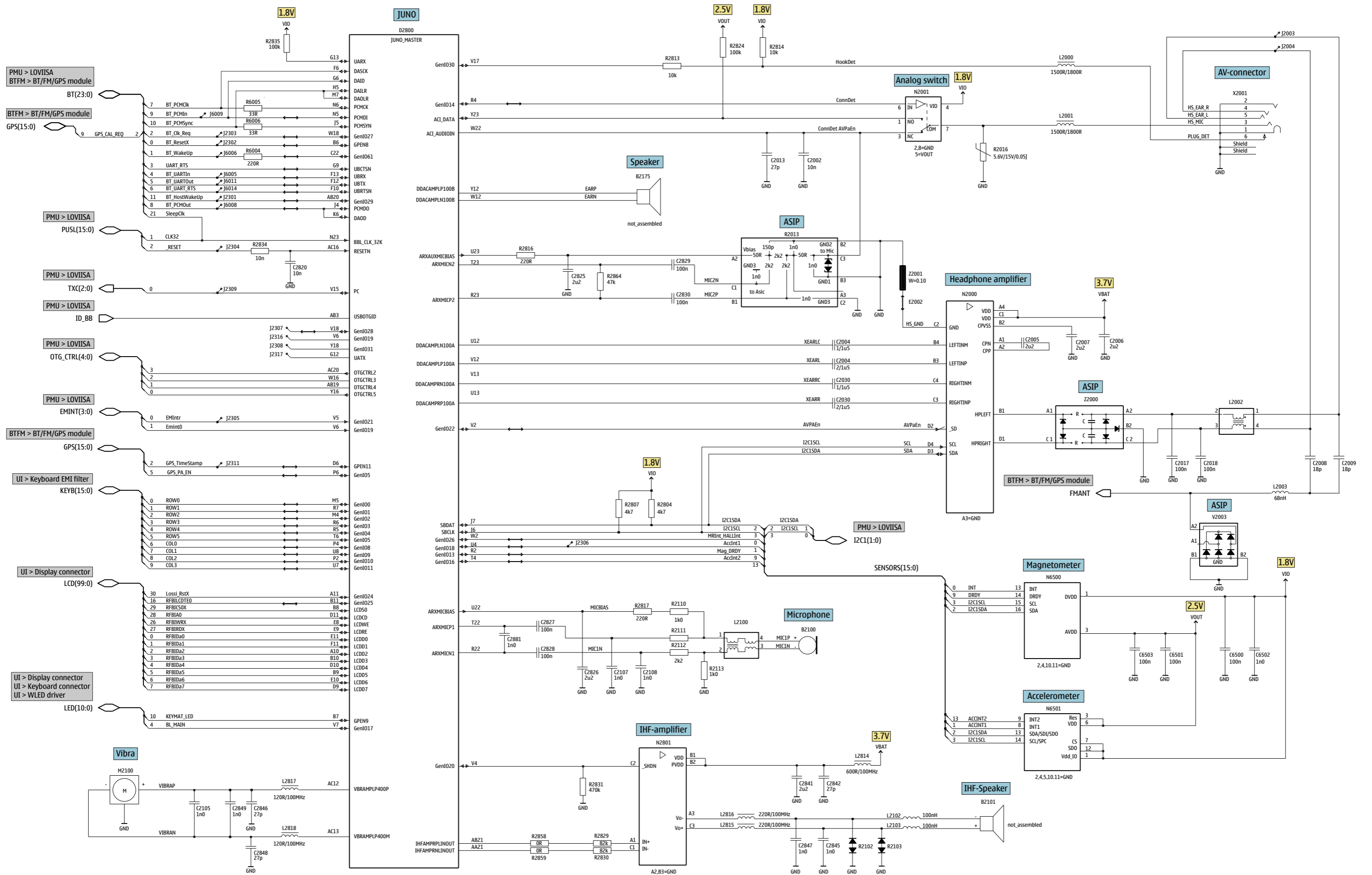
The measurement points in the schematics are linked to the oscillograms on the signal overview page. The links cycle between the measurement point in the schematics, the oscillogram and the measurement point in the component finder.

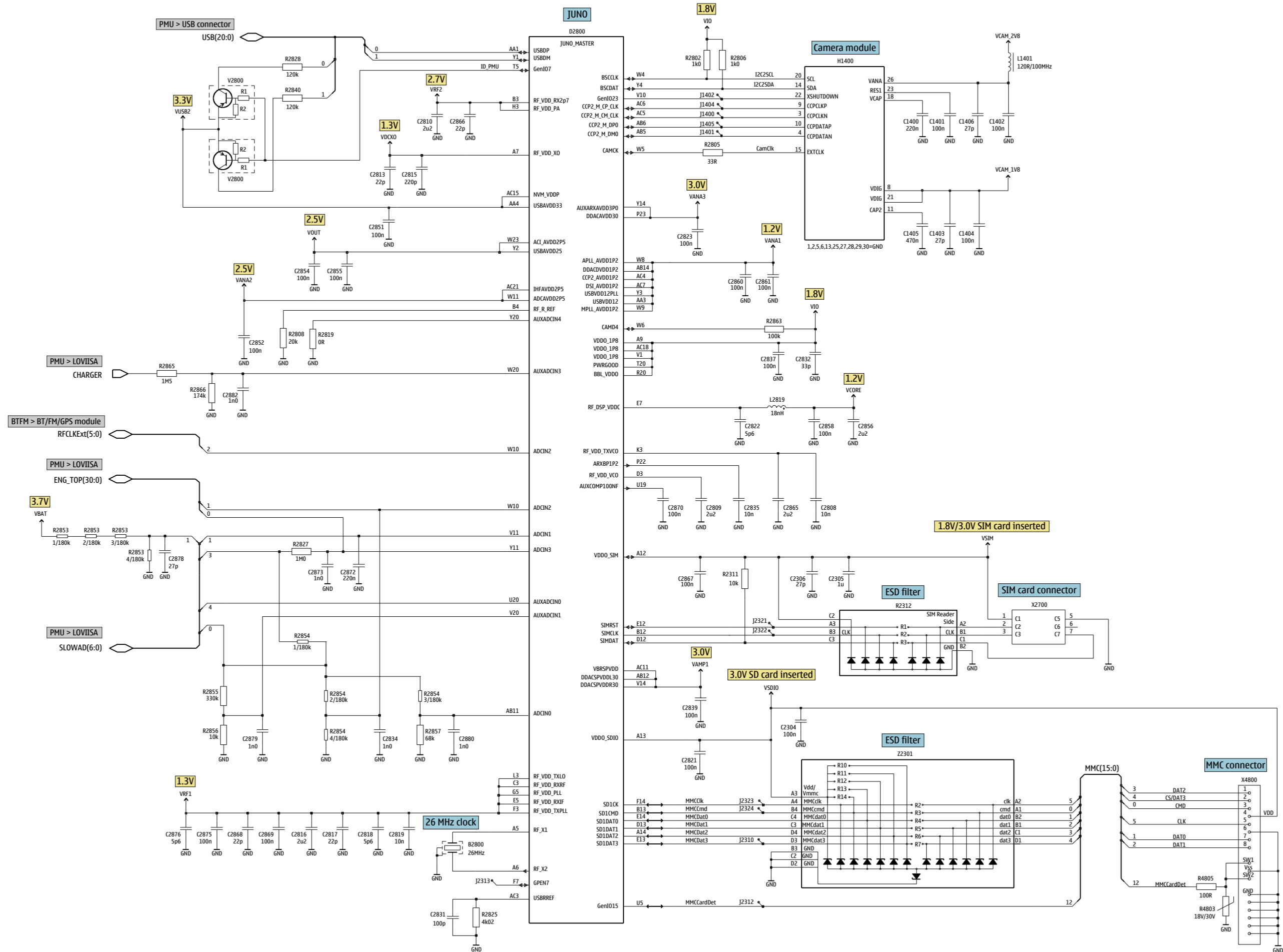
Table of Contents

Front page	1
Juno, RF, Memory	2
Juno, Audio, Sensors	3
Juno, Camera, MMC, SIM, Battery	4
PMU, Charging, HS USB	5
UI, Keyboard Flex	6
BTH FM, GPS	7
Signal Overview	8
Component Finder Bottom	9
Component Finder Top	10
Component Finder Keyboard Flex	11

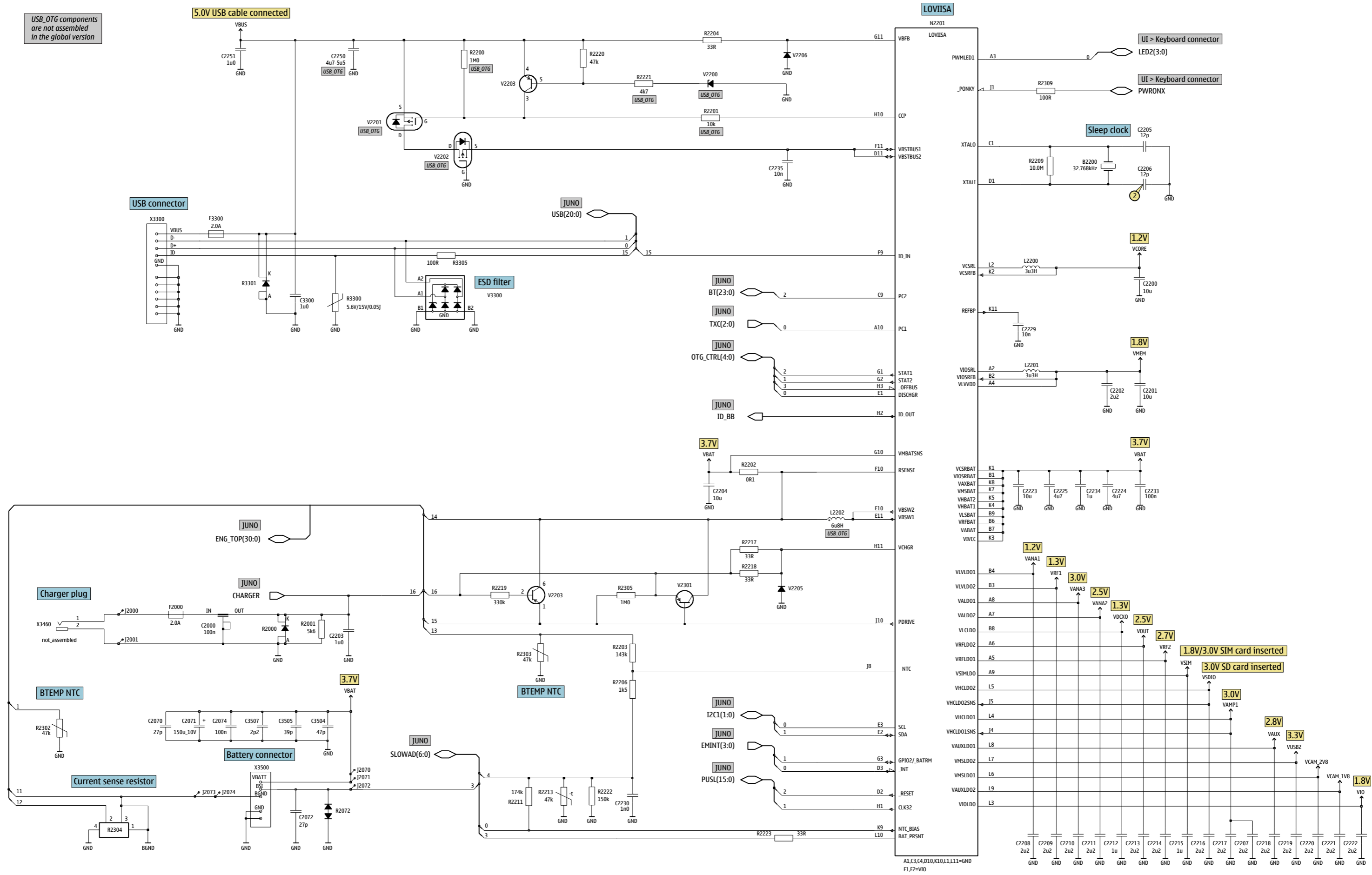
This material, including documentation and any related computer programs is protected by copyright, controlled by Nokia. All rights are reserved. Copying, including reproducing, modifying, storing, adapting or translating any or all of this material requires the prior written consent of Nokia. This material also contains company confidential information, which may not be disclosed to others without the prior written consent of Nokia.

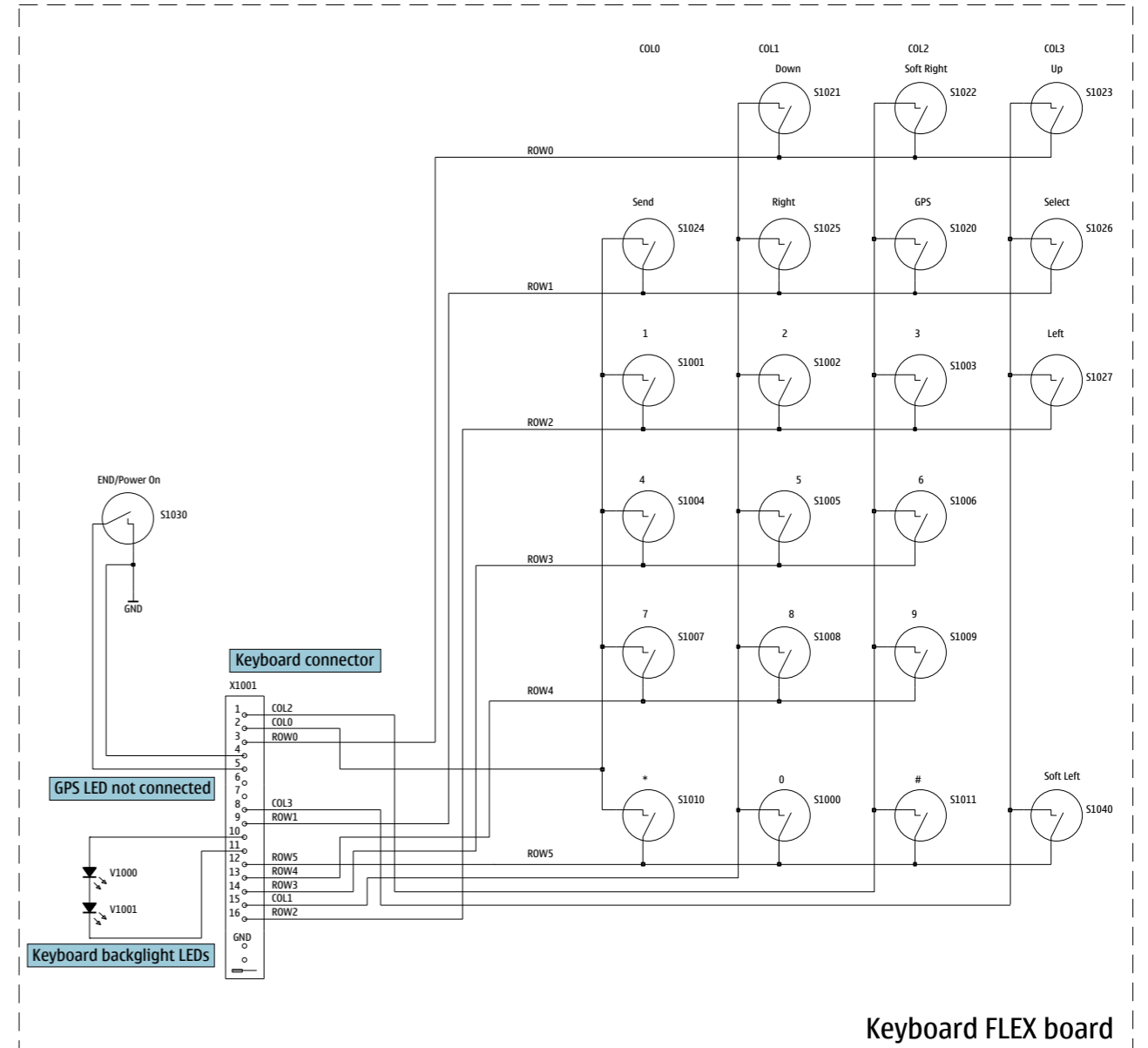
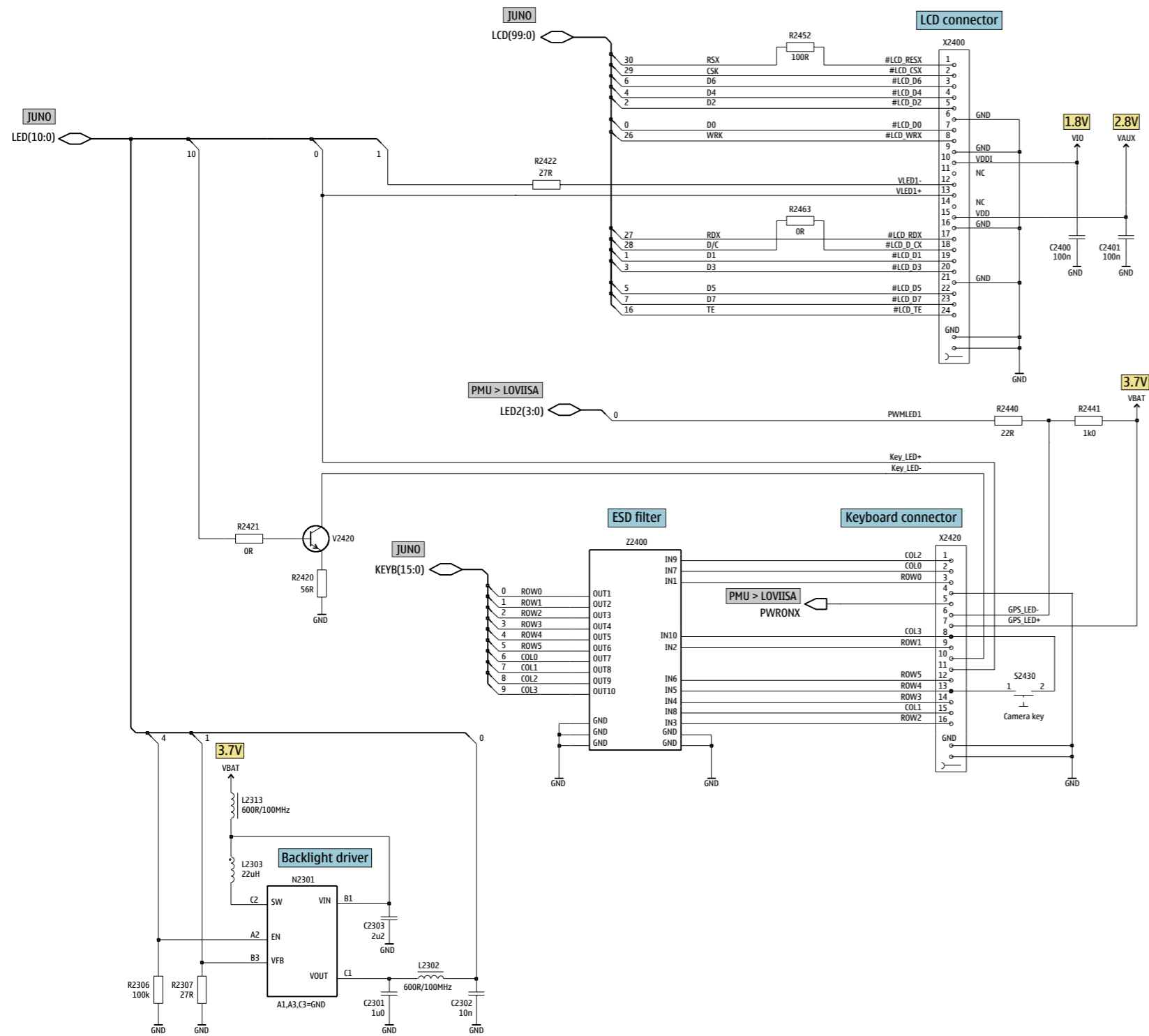


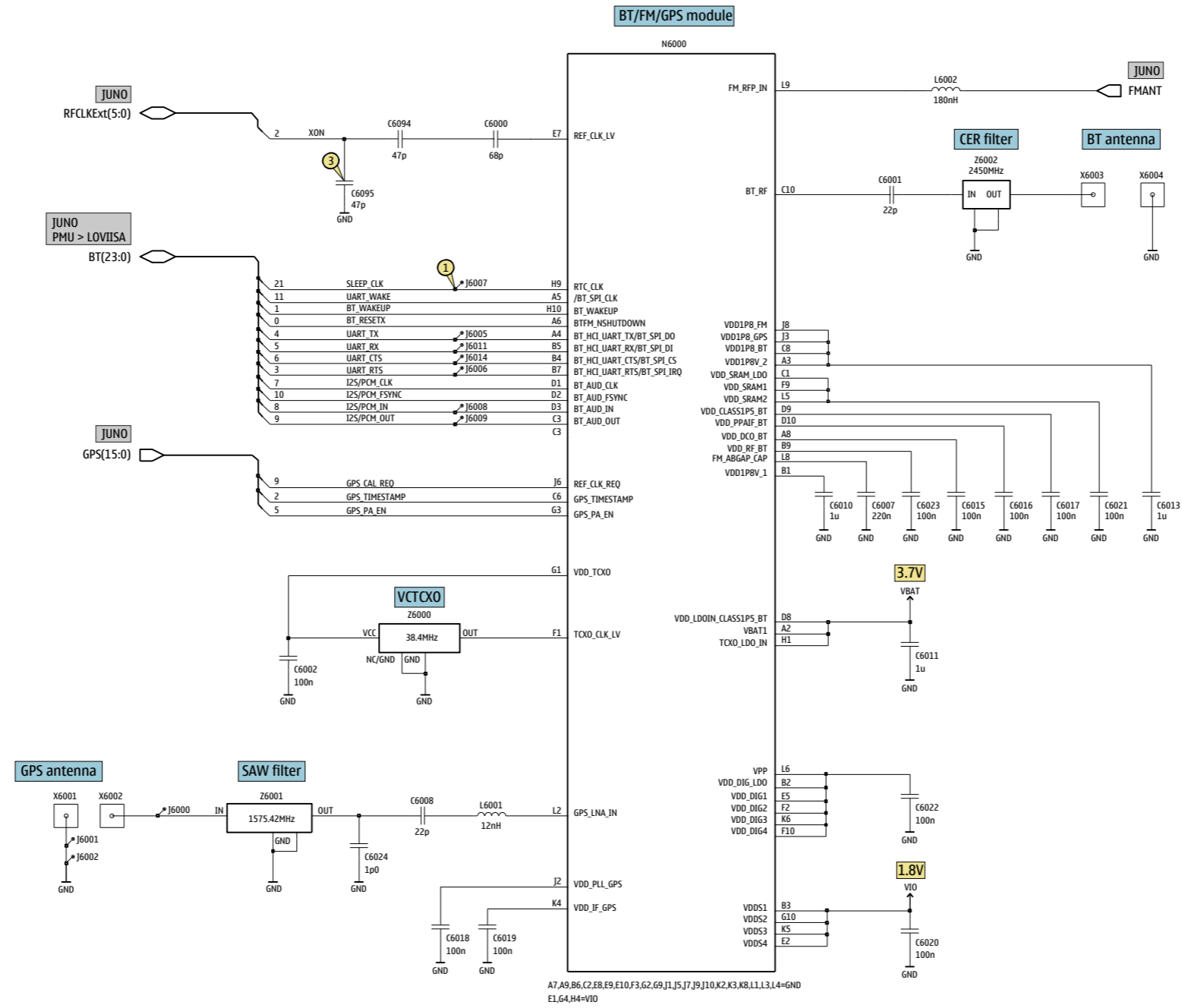


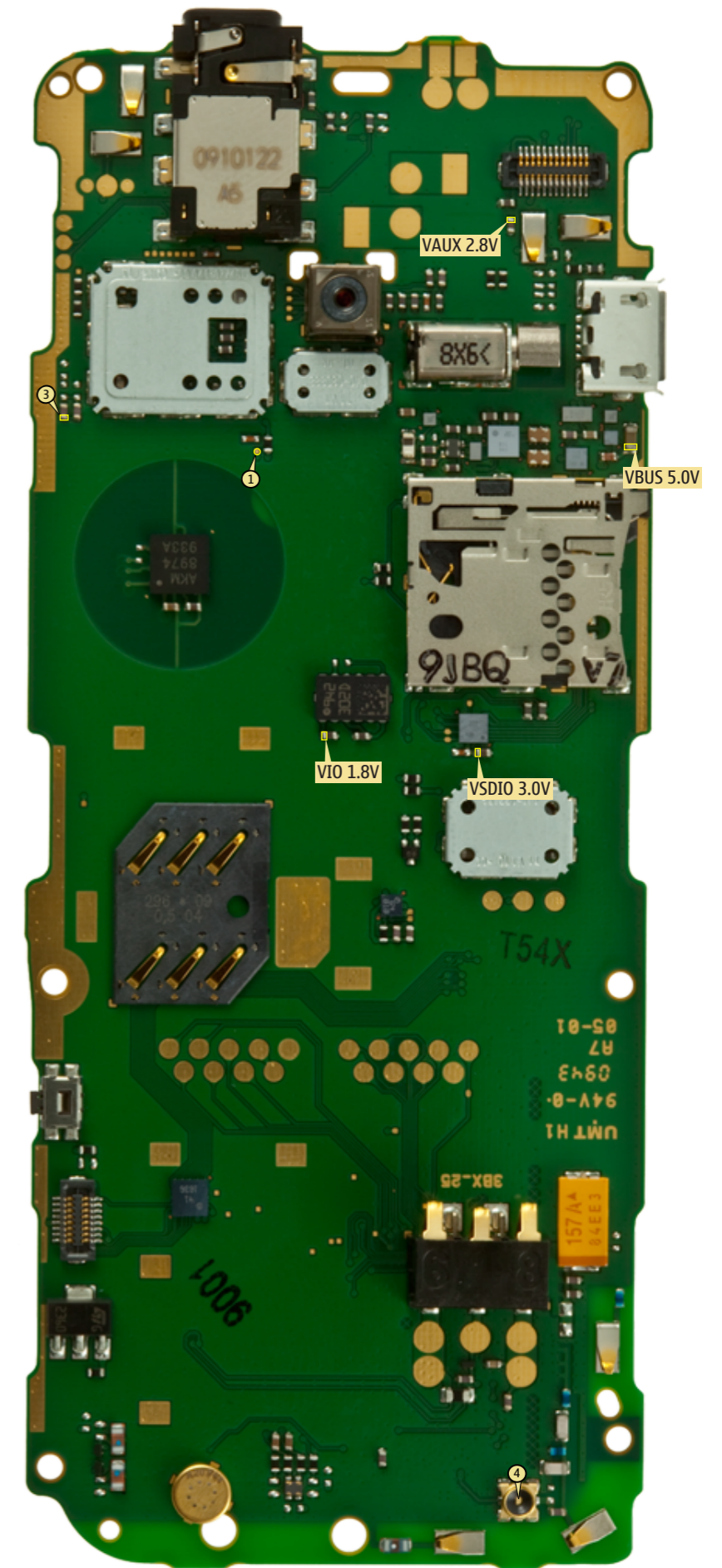
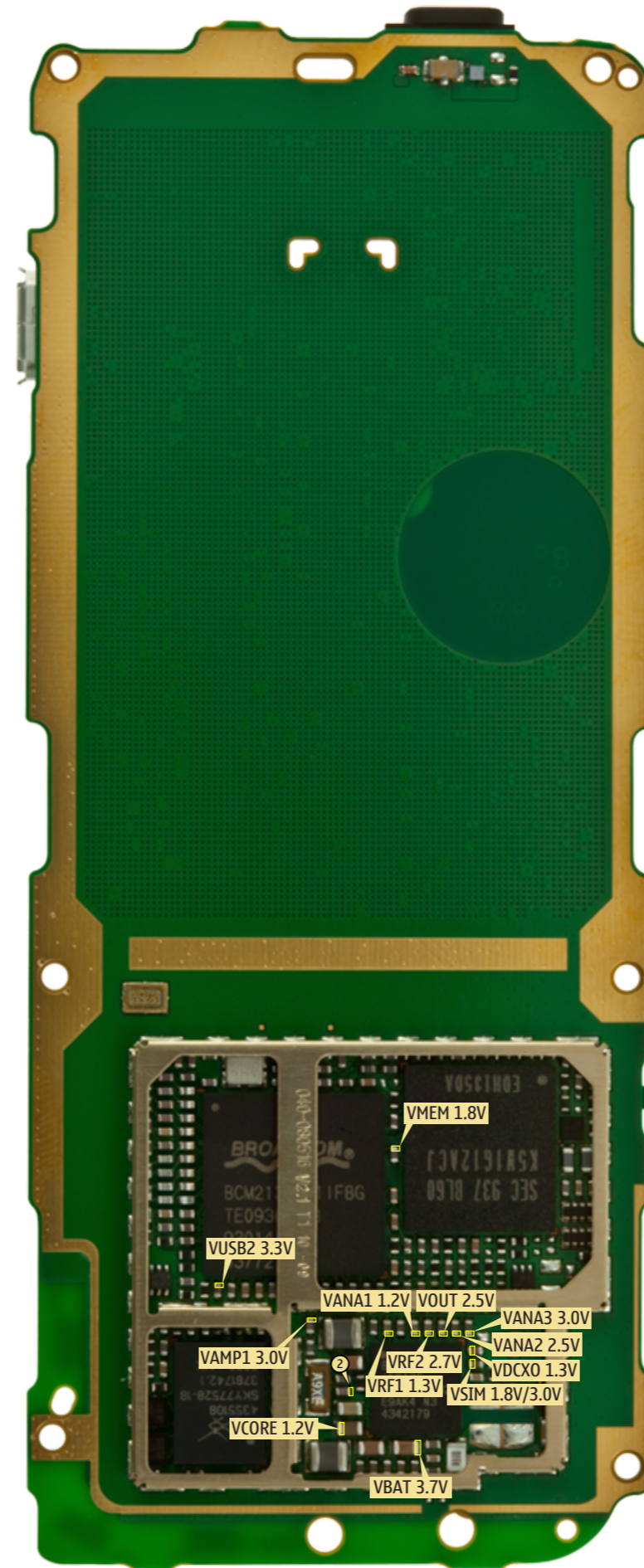
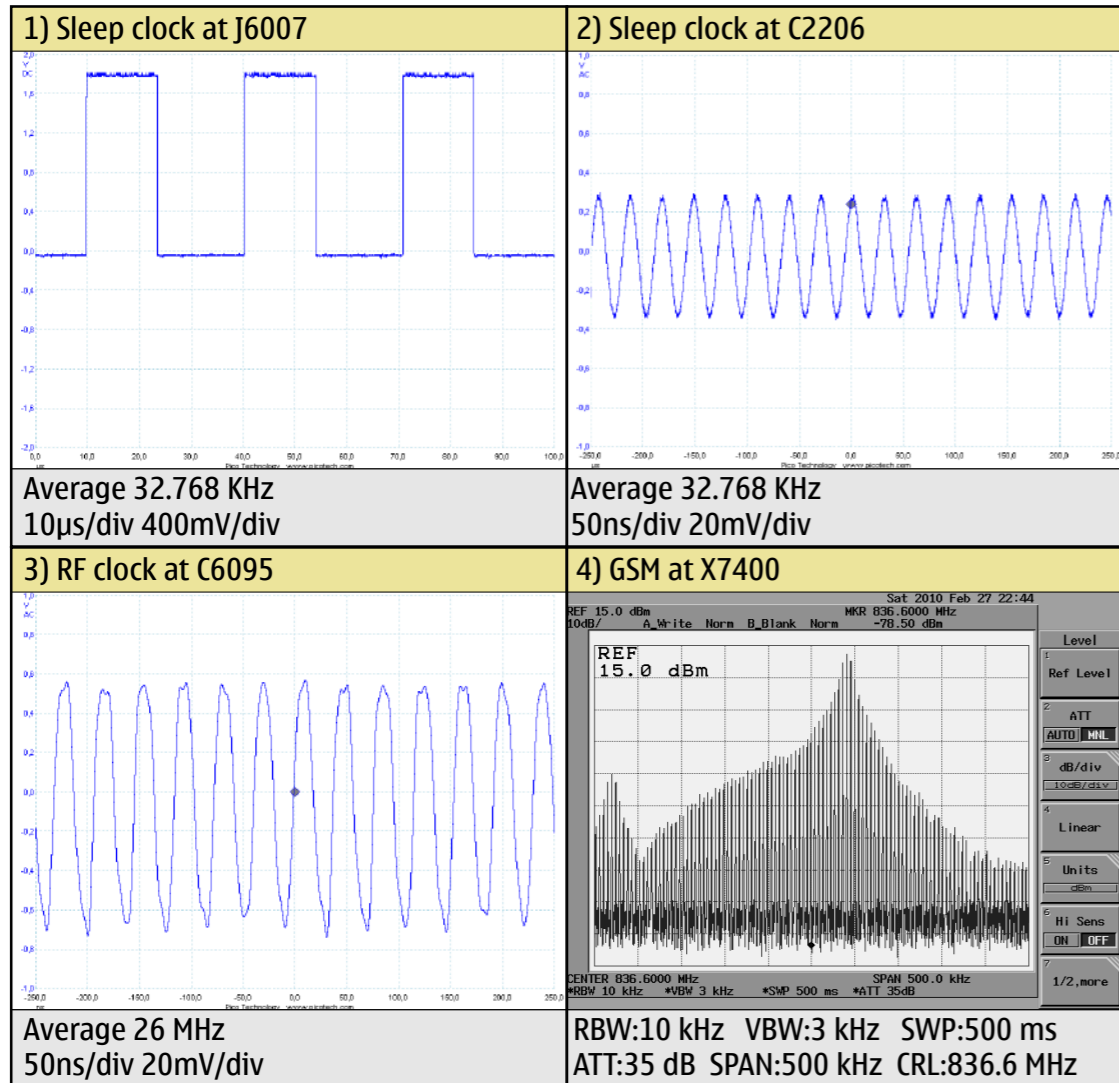


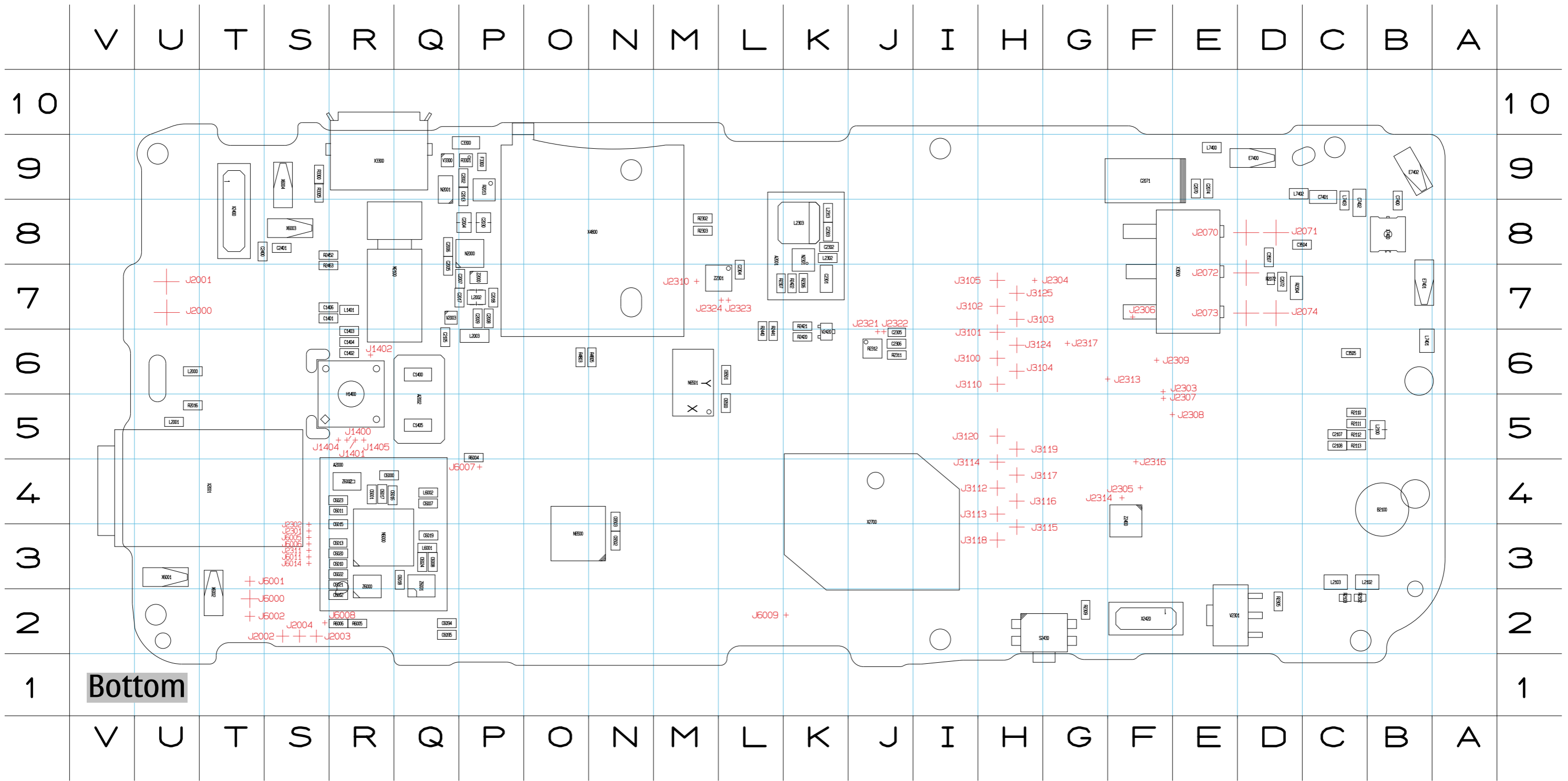
USB_OTG components are not assembled in the global version



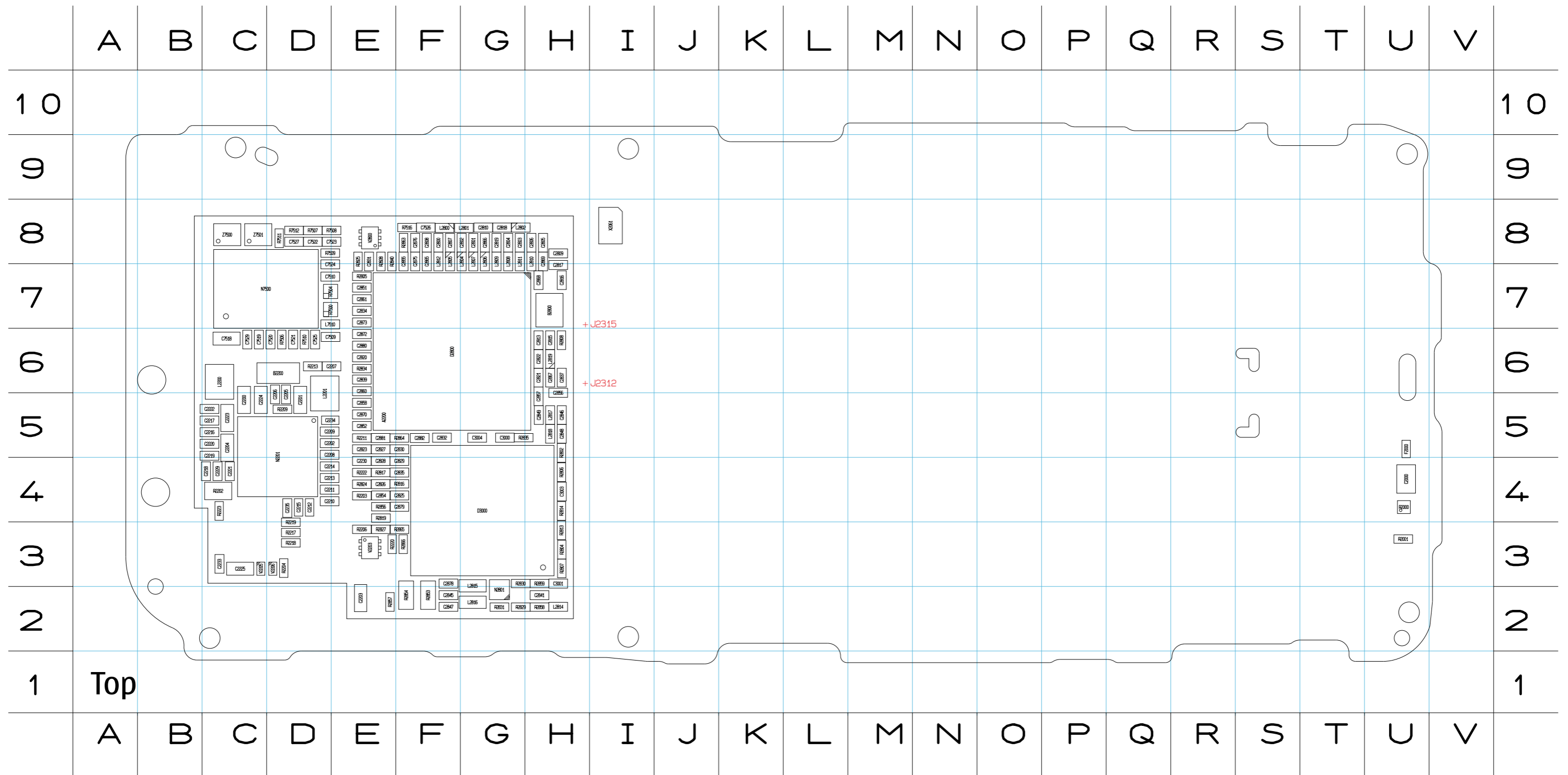








A	C1402	R6	C2007	P7	C2072	D7	C2305	J6	C6001	R4	C6017	R4	C6095	Q2	E7400	D9	L2001	U5	L6001	Q3	N2000	P8	R2072	D7	R2304	D7	R2422	K7	R4805	N6	V2420	K6	X4800	N8	Z2400	F4	
A2000	R3	C1403	R6	C2008	P7	C2074	E9	C2306	J6	C6002	R2	C6018	Q3	C6500	L5	E7401	B7	L2002	P7	L6002	Q4	N2001	Q9	R2102	C2	R2305	D2	R2440	L6	R6004	P5	V3300	Q9	X6001	U3	Z6000	R3
A2001	K8	C1404	R6	C2009	P7	C2105	Q6	C2400	T8	C6007	Q4	C6019	Q3	C6501	L6	E7402	B9	L2003	P6	L7400	E9	N2301	K8	R2103	C2	R2306	K7	R2441	L6	R6005	R2	X	X6002	T2	Z6001	Q3	
A2002	Q5	C1405	Q5	C2013	P9	C2107	C5	C2401	S8	C6008	Q3	C6020	R3	C6502	N3	F	L2100	B5	L7401	B6	N6000	R3	R2110	C5	R2307	L7	R2452	S8	R6006	R2	X2001	T4	X6003	S8	Z6002	R4	
B	C1406	S7	C2017	P7	C2108	C5	C3300	P9	C6010	R3	C6021	R3	C6503	N4	F3300	P9	L2102	C3	L7402	D9	N6500	O3	R2111	C5	R2309	G2	R2463	S7	S	X2400	T8	X6004	S9				
B2100	B4	C2002	P9	C2018	P7	C2301	K7	C3504	D8	C6011	R4	C6022	R3	C7400	B8	H	L2103	C3	L7403	C8	N6501	M6	R2112	C5	R2311	J6	R3300	S9	S2430	G2	X2420	F2	X7400	B8			
C	C2004	P8	C2030	P8	C2302	K8	C3505	C6	C6013	R3	C6023	R4	C7401	C9	H1400	R6	L2302	K8	M	R	R2113	C5	R2312	J6	R3301	P9	V	X2700	J4	Z							
C1400	Q6	C2005	Q7	C2070	E9	C2303	K8	C3507	D8	C6015	R3	C6024	Q3	C7402	C8	L	L2303	K8	M2100	Q7	R2013	P9	R2302	M8	R2420	K6	R3305	S9	V2003	Q7	X3300	R9	Z2000	P7			
C1401	S7	C2006	Q8	C2071	F9	C2304	L7	C6000	R4	C6016	R4	C6094	Q2	E	L2000	U6	L2313	K8	N	R2016	U5	R2303	M8	R2421	K7	R4803	O6	V2301	E2	X3500	E7	Z2301	L7				



A	C2204	C5	C2215	D4	C2229	C4	C2806	H8	C2820	E6	C2832	F5	C2851	E7	C2867	H6	C2881	E5	C7521	D6	F	L2807	G8	L2819	H6	R2204	D3	R2802	H5	R2824	E4	R2854	F2	R7506	D6	V2206	D3		
A2200	E5	C2205	D5	C2216	C5	C2230	E4	C2807	F8	C2821	H6	C2834	E7	C2852	E5	C2868	H7	C2882	F5	C7522	D8	F2000	U5	L2808	G8	L7510	D7	R2206	E3	R2804	H3	R2825	E8	R2856	E4	R7507	D8	V2800	E8
B	C2206	D5	C2217	C5	C2233	C3	C2808	F8	C2822	H6	C2835	F4	C2854	E4	C2869	H8	C3000	G5	C7523	D8	L	L2809	G8	N	R2209	D5	R2805	E7	R2827	E3	R2857	E2	R7508	D8	X				
B2200	D6	C2207	D6	C2218	C4	C2234	D5	C2809	H8	C2823	E5	C2837	H6	C2855	F8	C2870	E5	C3001	H3	C7524	D7	L2200	C6	L2810	H8	N2201	D5	R2211	E5	R2806	H4	R2828	E8	R2858	H2	R7509	D8	X2061	I8
B2800	H7	C2208	D5	C2219	C5	C2235	D4	C2810	G8	C2825	F4	C2839	E6	C2856	H6	C2872	E6	C3003	H4	C7525	D6	L2201	D5	L2811	G8	N2801	G2	R2213	D6	R2807	H3	R2829	G2	R2859	H3	R7510	D6	Z	
C	C2209	D5	C2220	C5	C2800	F8	C2813	H6	C2826	E4	C2841	H2	C2857	H5	C2873	E7	C3004	G5	C7526	F8	L2800	F8	L2812	F8	N7500	C7	R2217	D3	R2808	H6	R2830	G3	R2863	F8	R7511	D8	Z7500	C8	
C2000	U4	C2210	D4	C2221	C4	C2801	G8	C2815	H6	C2827	E5	C2845	F2	C2858	E5	C2875	F8	C7509	D6	C7527	D8	L2801	G8	L2814	H2	R	R2218	D3	R2813	H3	R2831	G2	R2864	F5	R7512	D8	Z7501	C8	
C2200	C5	C2211	D4	C2222	C5	C2802	G8	C2816	H7	C2828	E4	C2846	H5	C2860	E6	C2876	F8	C7510	D7	C7529	C6	L2802	G8	L2815	G3	R2000	U4	R2219	D3	R2814	H4	R2834	E6	R2865	F3	R7516	F8		
C2201	D5	C2212	D4	C2223	C5	C2803	G8	C2817	H7	C2829	F4	C2847	F2	C2861	E7	C2878	F3	C7518	C6	D	L2804	G8	L2816	G2	R2001	U3	R2220	E3	R2816	F4	R2835	G5	R2866	F3	V				
C2202	D5	C2213	D4	C2224	C5	C2804	G8	C2818	G8	C2830	F5	C2848	H5	C2865	F8	C2879	F4	C7519	C6	D2800	F6	L2805	F8	L2817	H5	R2202	C4	R2222	E4	R2817	E4	R2840	E8	R7500	D7	V2203	E3		
C2203	E2	C2214	D4	C2225	C3	C2805	H8	C2819	G8	C2831	E8	C2849	H5	C2866	G8	C2880	E6	C7520	D6	D3000	G4	L2806	G8	L2818	H5	R2203	E4	R2223	C4	R2819	E4	R2853	F2	R7504	D7	V2205	C3		

