

Service Schematics

NOKIA 2310

RM-189

Introduction

Important:

This document is intended for use by authorized service centers only.

“Service Schematics“ was created with focus on customer care.
The purpose of this document is to provide further technical repair information for NOKIA mobile phones on Level 3/4 service activities.
It contains additional information such as e.g. “Component finder”, “Frequency band table” or “Antenna switch table”.
The “Signal overview” page gives a good and fast overview about the most important signals and voltages on board.
Saving process time and improving the repair quality is the aim of this document.
It is to be used additionally to the service manual and other training or service information such as Service Bulletins.

All measurements were made using following equipment:

Nokia repair SW	:	Phoenix version 2006.04.6.136
Oscilloscope	:	Fluke PM 3380A/B
Spectrum Analyzer	:	Advanced R3162 with an analog probe
RF-Generator/GSM Tester	:	Rhode & Schwarz CMU 200
Multimeter	:	Fluke 73 Series II

While every endeavour has been made to ensure the accuracy of this document, some errors may exist. If the reader finds any errors, NOKIA shall be notified in writing.

Please send E-Mail to: training.sace@nokia.com

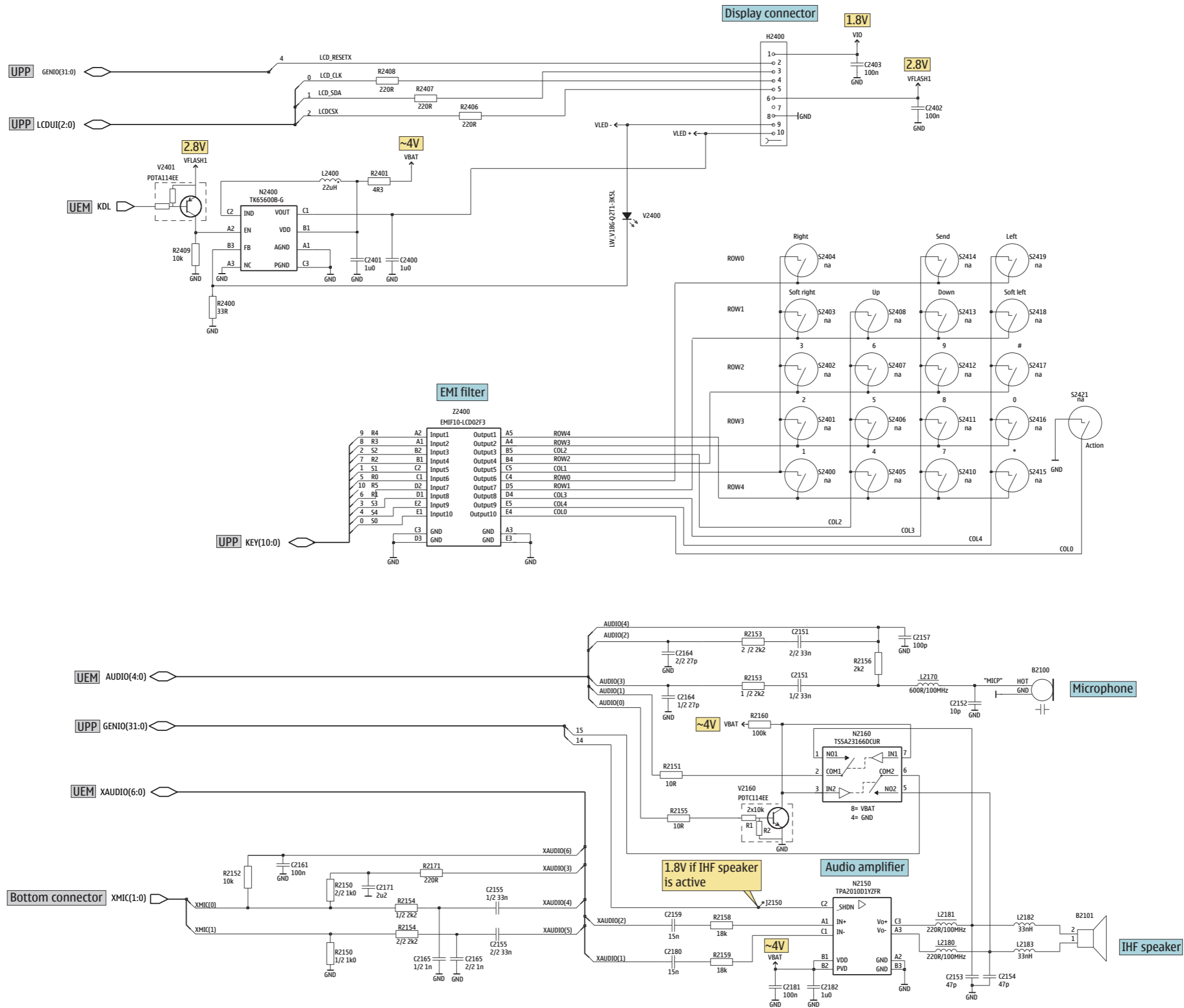


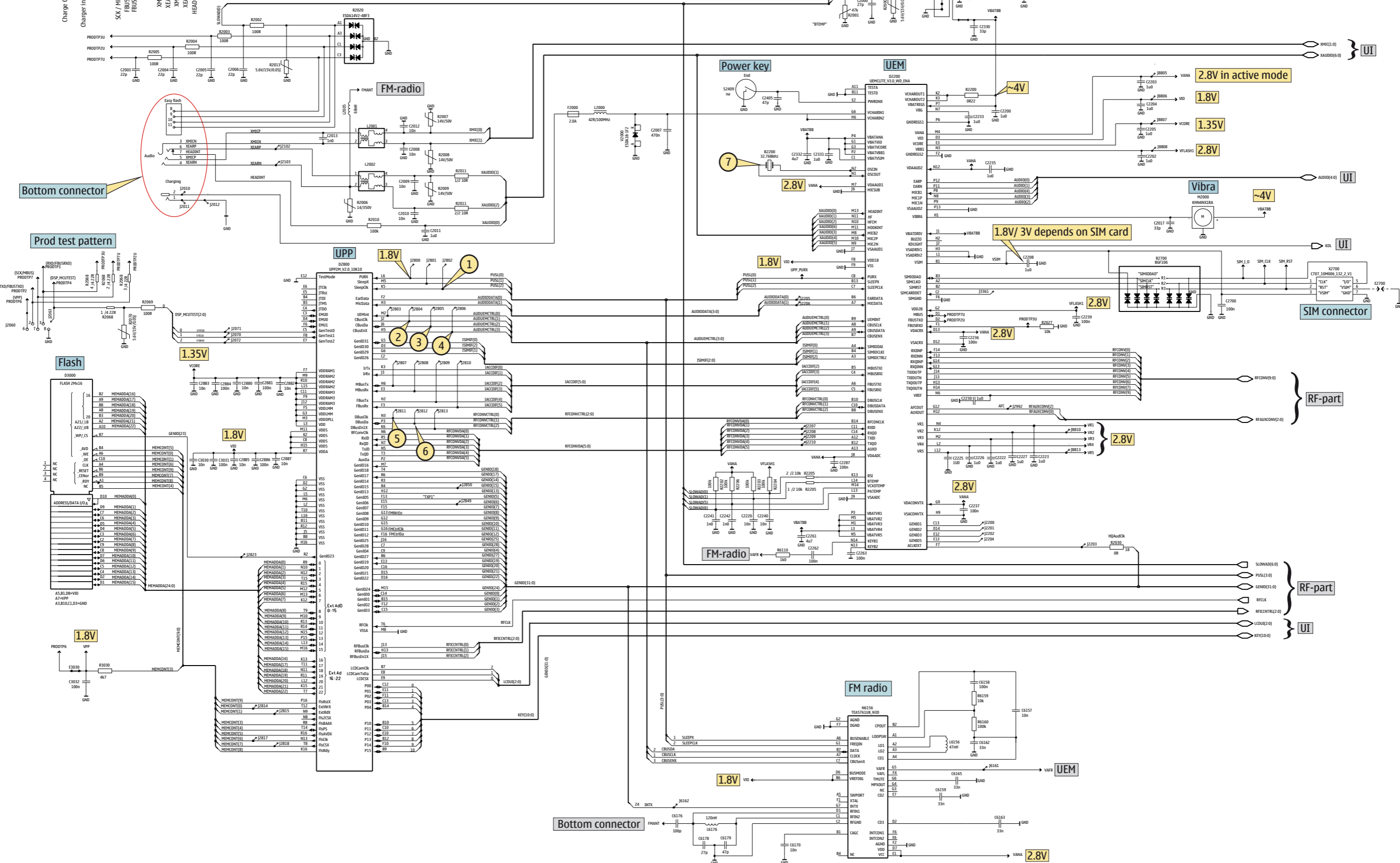
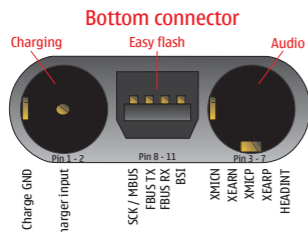
Table of content

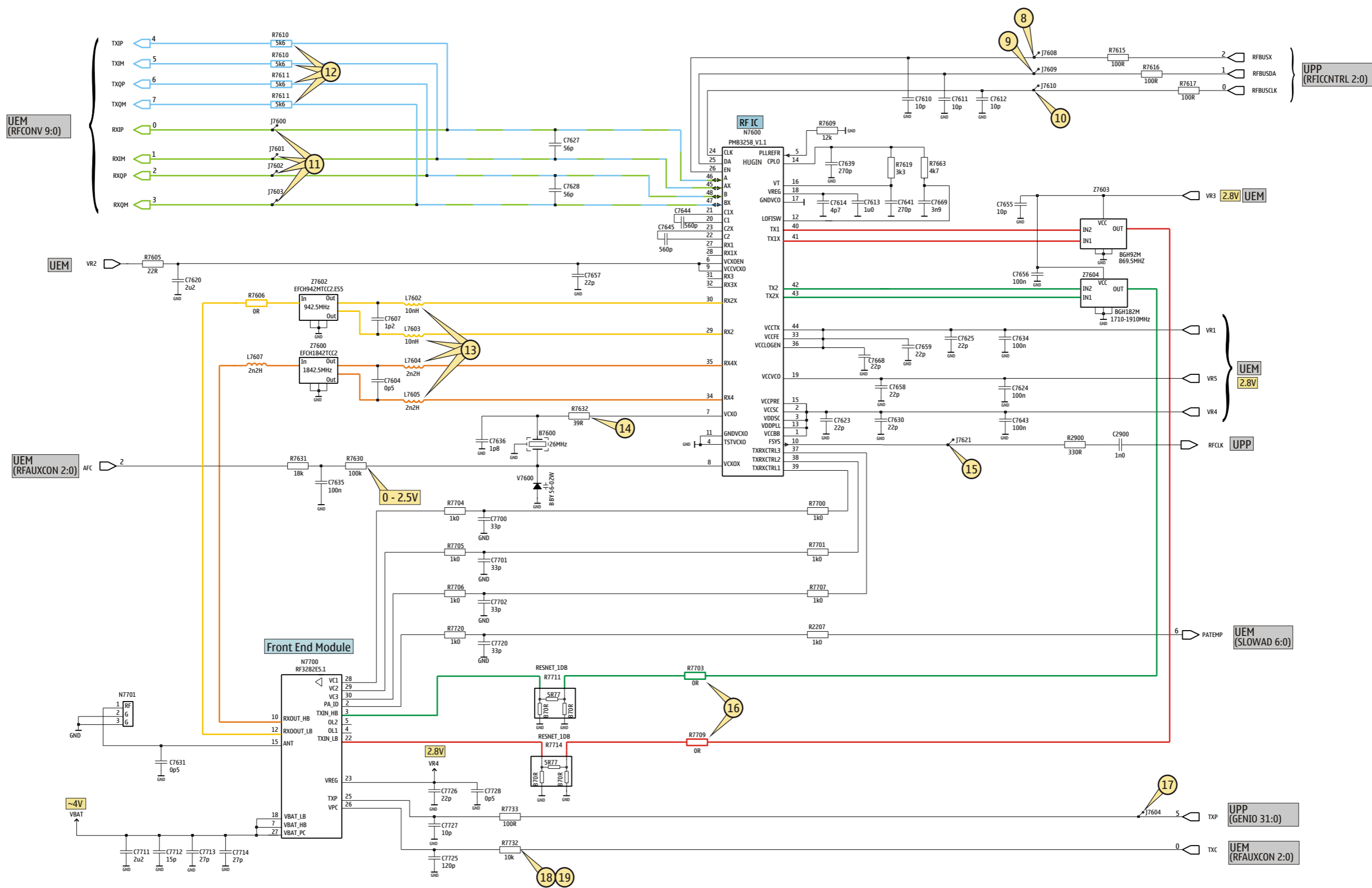
Frontpage	1
UI & Audio	2
UEM, UPP & Flash memory	3
RF-part	4
Signal overview	5
Component finder	6

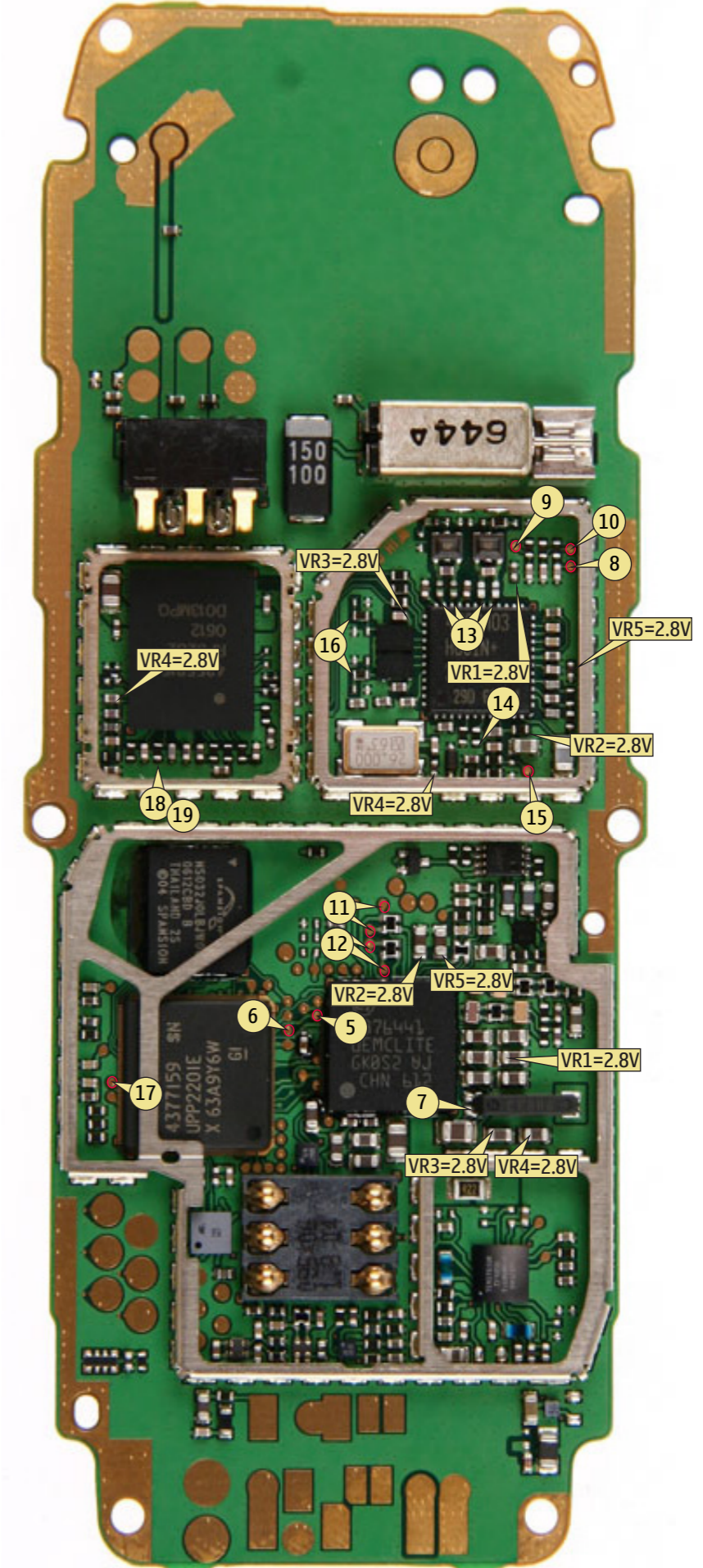
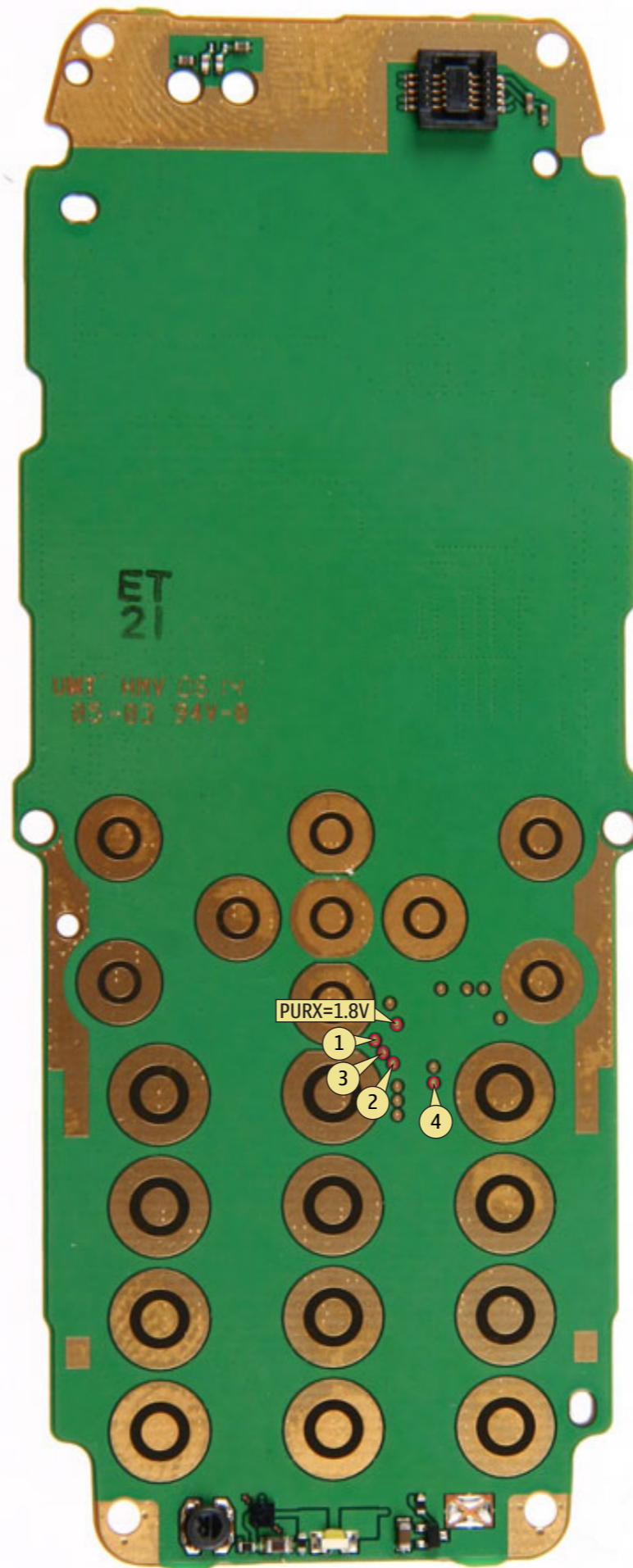
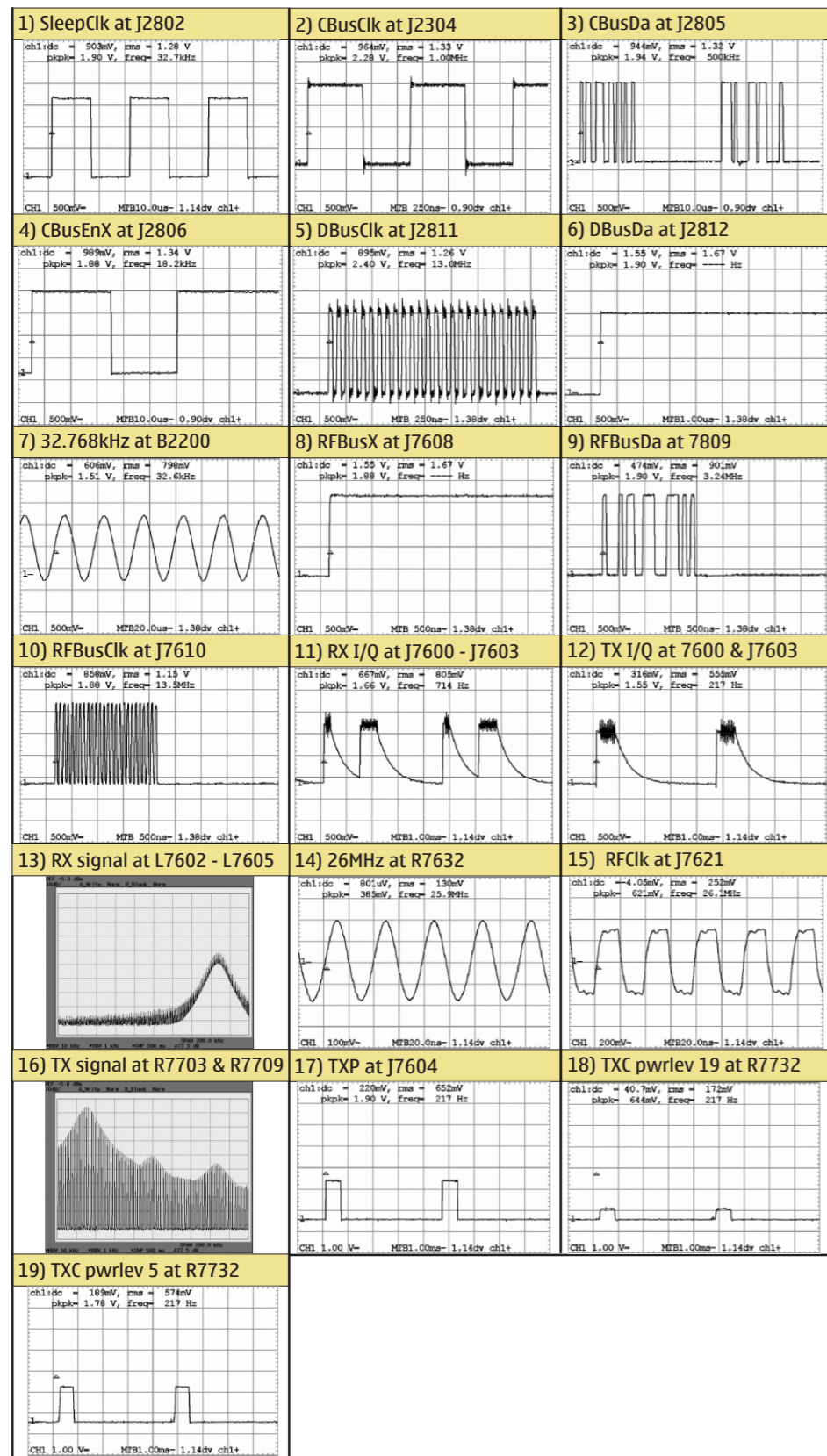
Copyright © NOKIA

This material, including documentation and any related computer programs is protected by copyright, controlled by NOKIA. All rights are reserved. Copying, including reproducing, modifying, storing, adapting or translating any or all of this material requires the prior written consent of NOKIA. This material also contains confidential information, which may not be disclosed to others without the prior written consent of NOKIA.









B	C2405	P5	C7726	J2	R2159	N7	
B2200	O7	C2700	R4	C7727	K2	R2160	L6
B7600	K5	C2880	O4	C7728	K2	R2171	N8
C	C2881	P3	D	R2200	P6		
C2000	G3	C2882	P3	D2200	O5	R2202	M7
C2001	G2	C2883	O2	D2800	O3	R2203	M7
C2002	G4	C2884	O2	D3000	M3	R2204	M6
C2003	S5	C2885	P3	F	R2205	M6	
C2004	R5	C2886	P3	F2000	T7	R2206	M7
C2005	R5	C2887	O2 <th>H</th> <th>R2207</th> <td>L4</td> <td></td>	H	R2207	L4	
C2006	R5	C2900	K7	H2400	C3	R2400	U5
C2007	S7	C3030	N2 <th>L</th> <th>R2401</th> <td>U6</td> <td></td>	L	R2401	U6	
C2008	R4	C3031	N2	L2000	T7	R2406	O2
C2009	R4	C3032	N2	L2001	R3	R2407	P2
C2010	R5	C6157	R6	L2002	R4	R2408	P2
C2011	S3	C6158	R6	L2005	R6	R2409	T4
C2012	R4	C6159	O7	L2170	S3	R2700	P4
C2013	R3	C6162	O6	L2180	M7	R2900	K7
C2017	G5	C6163	R6	L2181	M7	R3030	O2
C2151	N7	C6165	O8	L2182	B6	R6110	O8
C2152	S3	C6170	R7	L2183	B6	R6159	R6
C2153	B6	C6176	R7	L2400	U6	R6160	R6
C2154	B7	C6178	R7	L6156	O6	R7605	K7
C2155	N6	C6179	R7	L6176	R7	R7606	H7
C2157	O8	C7604	I6	L7602	I7	R7609	K6
C2159	N7	C7607	I7	L7603	I7	R7610	M5
C2161	N8	C7610	I8	L7604	I6	R7611	M5
C2164	N6	C7611	I7	L7605	I6	R7615	H8
C2165	N7	C7612	I7	L7607	H6	R7616	H7
C2171	N8	C7613	I7 <th>M</th> <th>R7617</th> <td>H7</td> <td></td>	M	R7617	H7	
C2180	N7	C7614	J7	M2000	G6	R7619	J8
C2181	M7	C7620	K7 <th>N</th> <th>R7630</th> <td>K6</td> <td></td>	N	R7630	K6	
C2182	M7	C7623	J7	N2150	M7	R7631	K7
C2200	O7	C7624	J8	N2160	L7	R7632	K6
C2202	O7	C7625	J6	N2400	T6	R7633	K2
C2203	O7	C7627	J5	N6156	Q7	R7635	K2
C2204	P5	C7628	J5	N7600	J7	R7663	K8
C2205	P5	C7630	K6	N7700	J3	R7700	I5
C2208	P4	C7631	D3 <th>R</th> <th>R7701</th> <td>I5</td> <td></td>	R	R7701	I5	
C2220	M7	C7634	I7	R2000	G3	R7703	J5
C2222	P7	C7635	K6	R2001	Q3	R7704	K3
C2223	O7	C7636	K6	R2002	R5	R7705	K3
C2225	M6	C7637	K2	R2003	R5	R7706	K3
C2226	P7	C7638	K2	R2004	R5	R7707	I5
C2227	M6	C7639	J7	R2005	S5	R7709	I5
C2230	O7	C7641	J7	R2006	R5	R7711	J4
C2233	O7	C7643	K6	R2007	R4	R7714	J2
C2235	M7	C7644	J7	R2008	S4	R7720	K4
C2236	M5	C7645	I7	R2009	R4	R7732	K2
C2237	M5	C7655	I5	R2010	S3	R7733	K2
C2239	P5	C7656	J5	R2011	R4 <th>V</th> <td></td>	V	
C2240	M6	C7657	K7	R2013	R5	V2000	S7
C2241	M6	C7658	J7	R2020	R5	V2160	L6
C2242	M6	C7659	I6	R2027	R5	V2400	U5
C2261	P6	C7668	I6	R2068	S2	V2401	U3
C2262	Q8	C7669	K8	R2069	S2	V7600	K6
C2263	R8	C7700	K3	R2070	S2 <th>X</th> <td></td>	X	
C2287	M5	C7701	K3	R2150	N7	X2005	G3
C2330	G2	C7702	K4	R2151	L7	X2700	Q4
C2331	P5	C7711	I2	R2152	N7 <th>Z</th> <td></td>	Z	
C2332	P5	C7712	I4	R2153	N7	Z2400	Q3
C2400	U4	C7713	I2	R2154	N7	Z7600	H6
C2401	U5	C7714	K3	R2155	L6	Z7602	H7
C2402	C2	C7720	K4	R2156	O7	Z7603	J5
C2403	C2	C7725	K3	R2158	N7	Z7604	J5

